
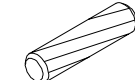
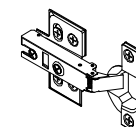
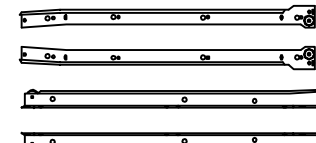
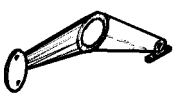
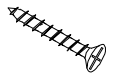



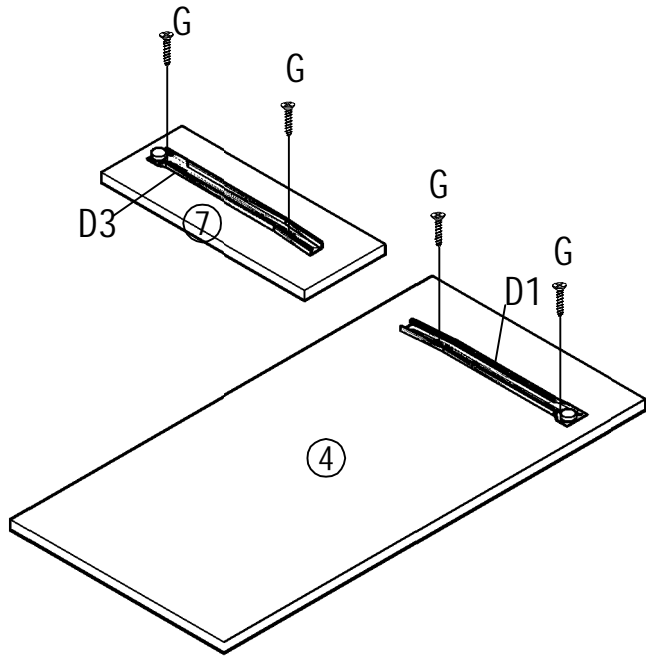


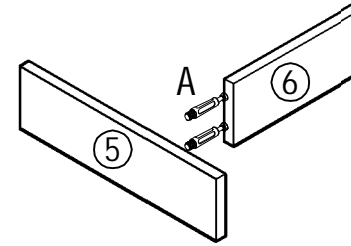
<p><b>A</b> 38pcs +2</p> 	<p><b>B</b> 20pcs +2</p> 	<p><b>C</b> 2pcs</p> 	<p><b>D</b> 1pc</p>  <p>D1 D3 D2 D4</p>	
<p><b>E</b> 1pc</p> 	<p><b>F</b> 4pcs +2</p> 	<p><b>G</b> 20pcs +2</p> 	<p><b>H</b> 8pcs +2</p> 	<p><b>I</b> 8pcs</p>  <p>I1 I2</p>

1



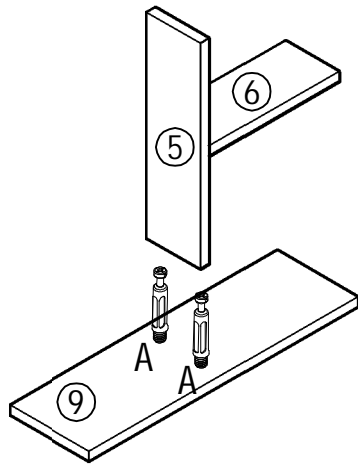
Gx4 D1x1 D3x1

2



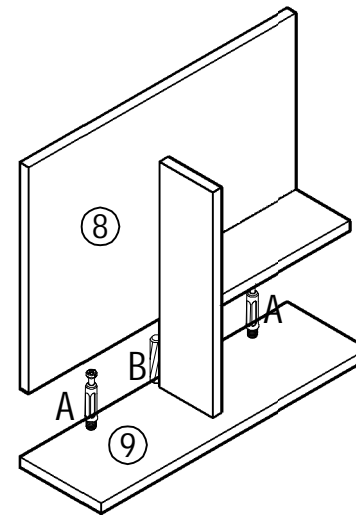
Ax2

3



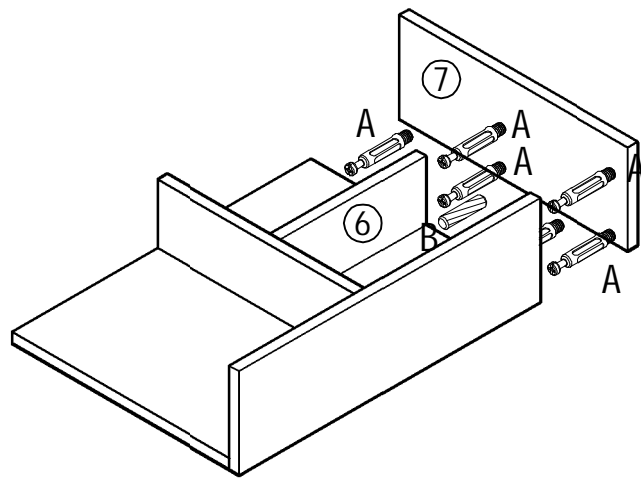
Ax2

4



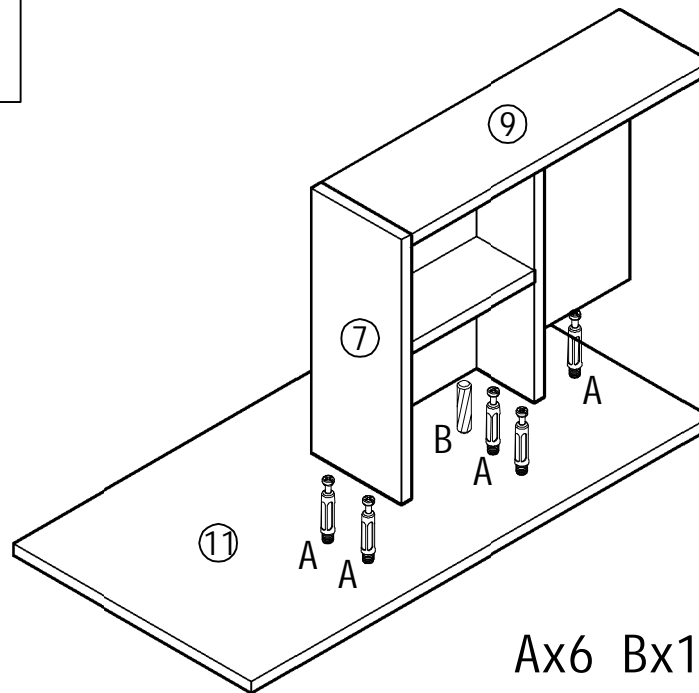
Ax2 Bx1

5



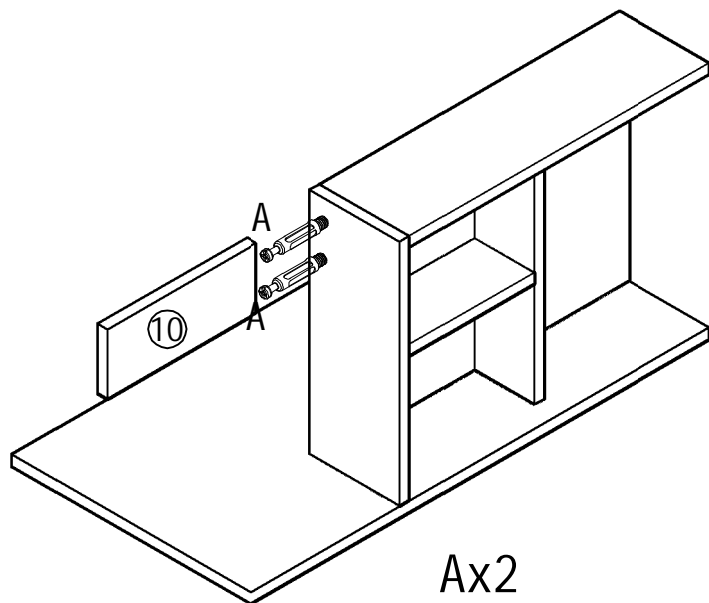
Ax6 Bx1

6



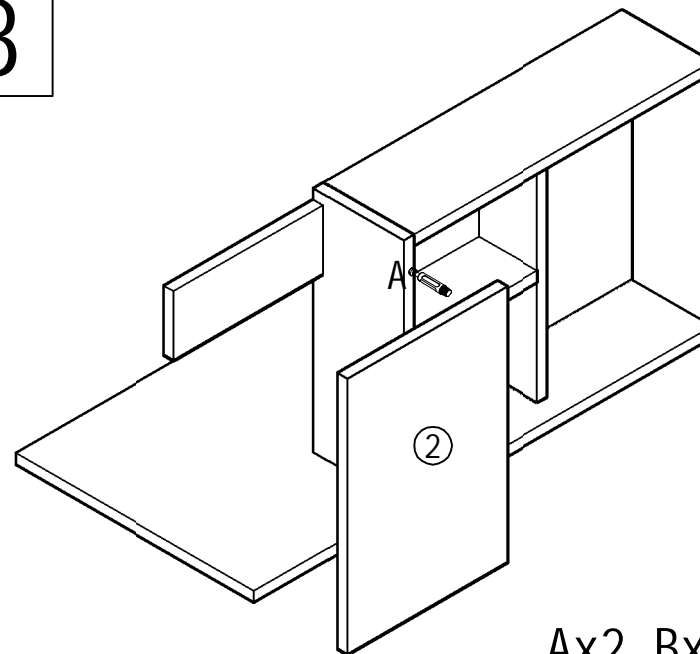
Ax6 Bx1

7



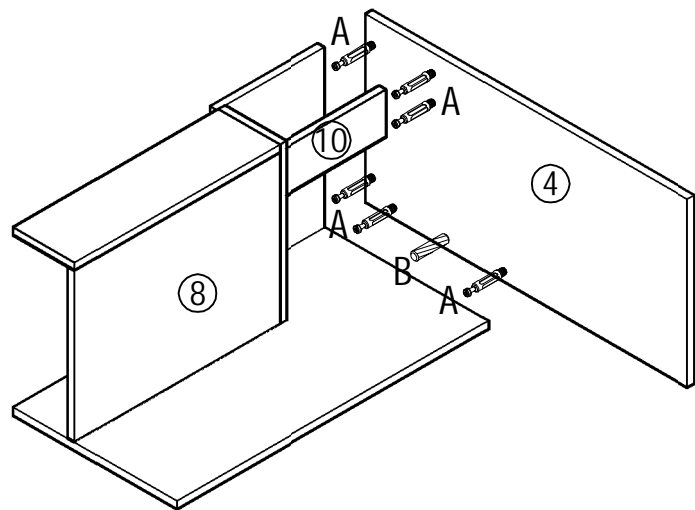
Ax2

8



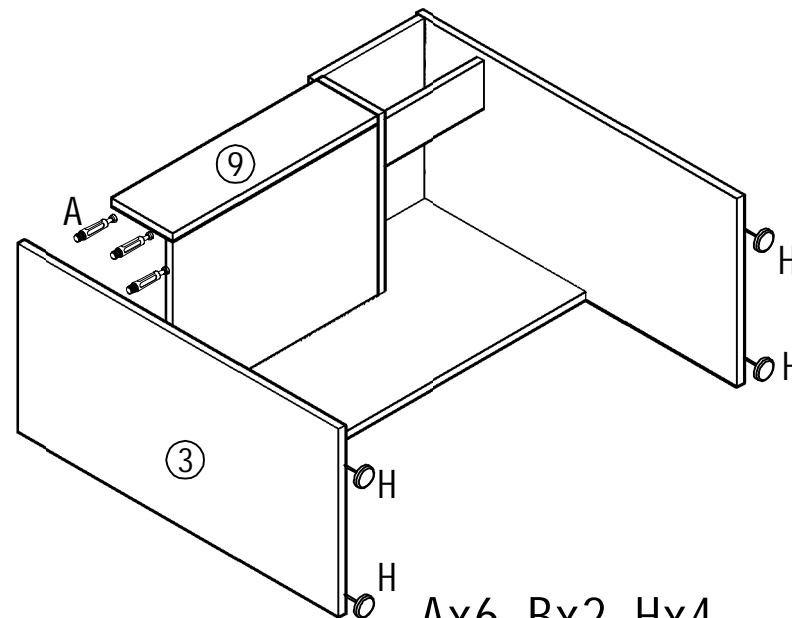
Ax2 Bx1

9



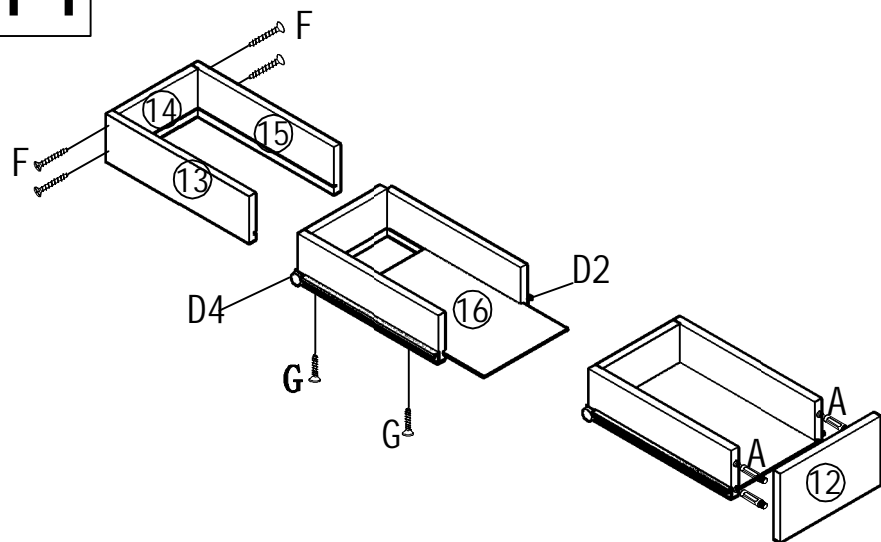
Ax6 Bx2

10



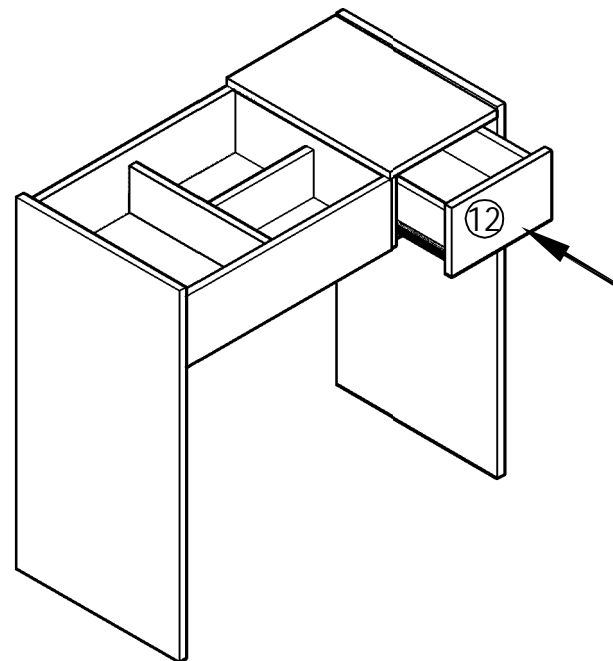
Ax6 Bx2 Hx4

11

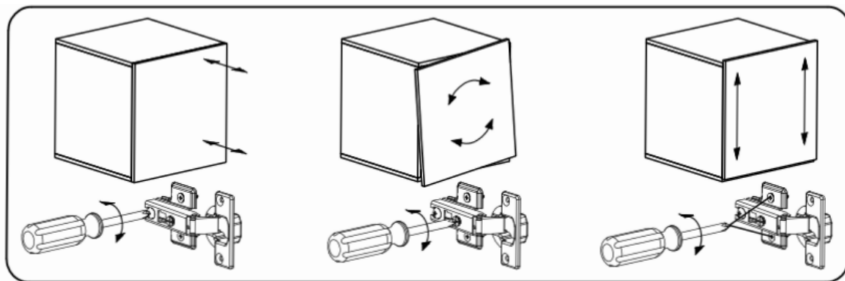
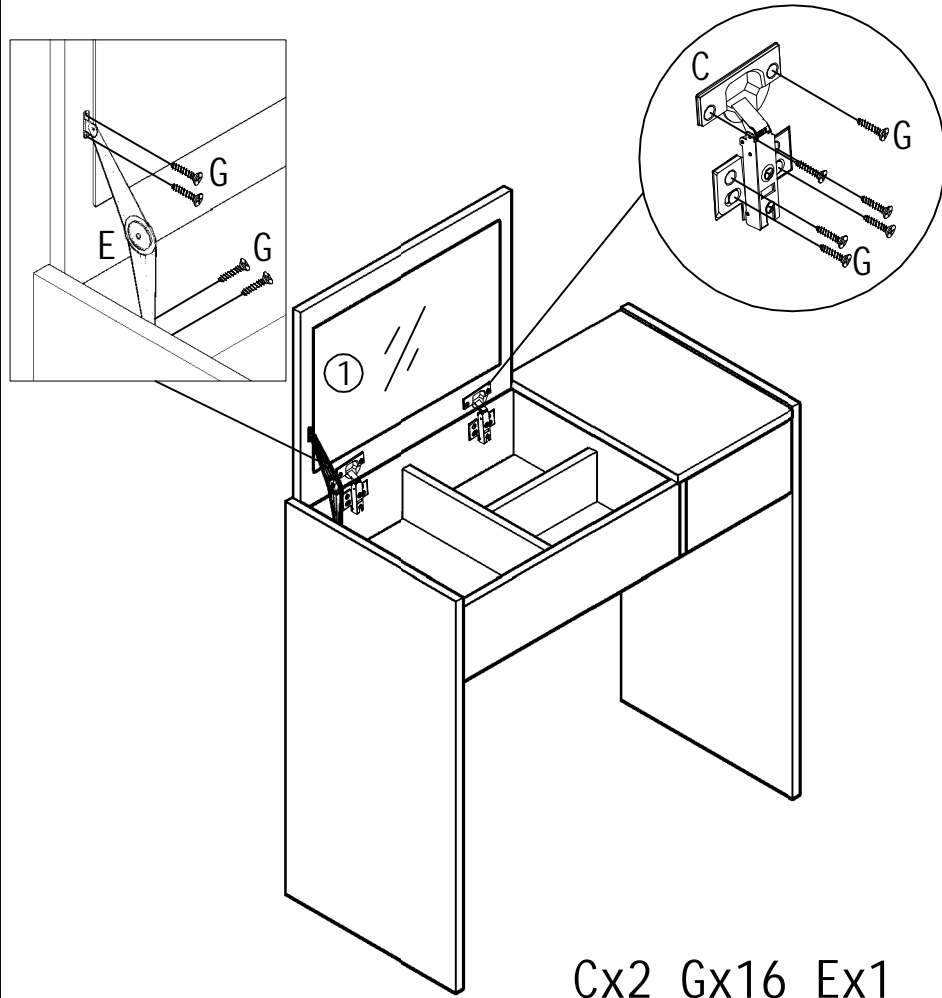


Ax4 Fx4 Gx4 D2x1 D4x1

12



13



14

