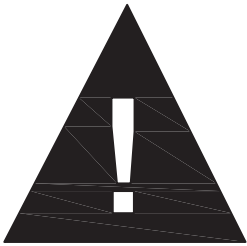
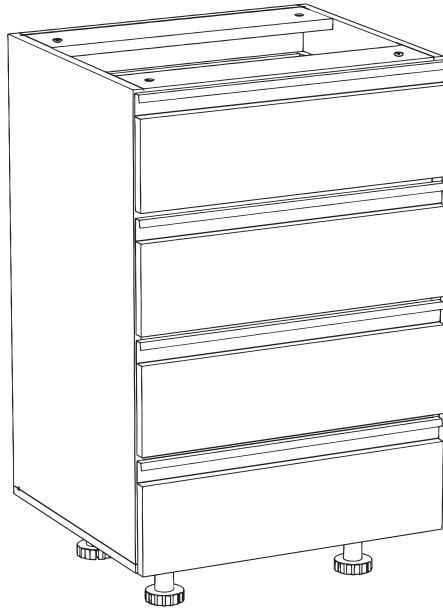
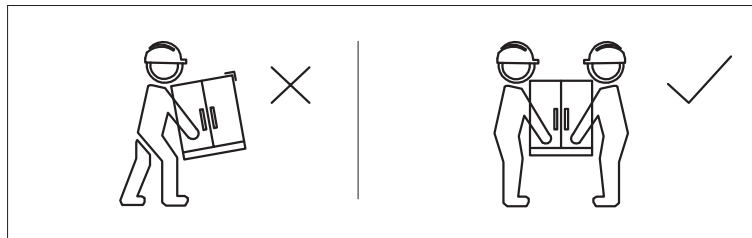


ASSEMBLY INSTRUCTION



Warning: Excessive weight hazard!

Use two or more people to move, assemble, or install cabinets to avoid back injury. do not leave children unattended near cabinets. high risk of tipping if cabinets are installed incorrectly: securely attach cabinets to the wall to avoid serious injury.



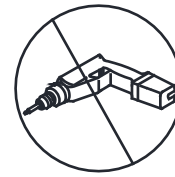


Safety and Care Advice

Important - Please read these instructions fully before starting assembly

- Check you have all the components and tools listed on the following pages.
- Remove all fittings from the plastic bags and separate them into their groups.
- Keep children and animals away from the work area, small parts could choke if swallowed.
- Make sure you have enough space to layout the parts before starting.

- During assembly do not stand or put weight on the product. this could cause damage.
- Assemble the item as close to its final position (in the same room) as possible.
- Assemble on a soft level surface to avoid damaging the unit or your floor.
- Parts of the assembly will be easier with 2 people .



- To reduce the likelihood of damaging your product please ensure that your power drill is set on a low torque setting.

Care and maintenance

- Only clean using a damp cloth and mild detergent, do not use bleach or abrasive cleaners.
- From time to time check that there are no loose screws on this unit.
- This product should not be discarded with household waste. Take to your local authority waste disposal centre,

Handy Hints

- Assemble all parts and bolts loosely during assembly, only once the product is complete should you fully tighten the bolts
- Regularly check and ensure that all bolts and fittings are tightened properly,

WARNING

In order to help prevent overturning - please follow these instructions

To help prevent product toppling over please follow the below steps:

Use the anti tip strap or wall fixing method provided (if applicable)

Do not allow children to climb or hang on the furniture

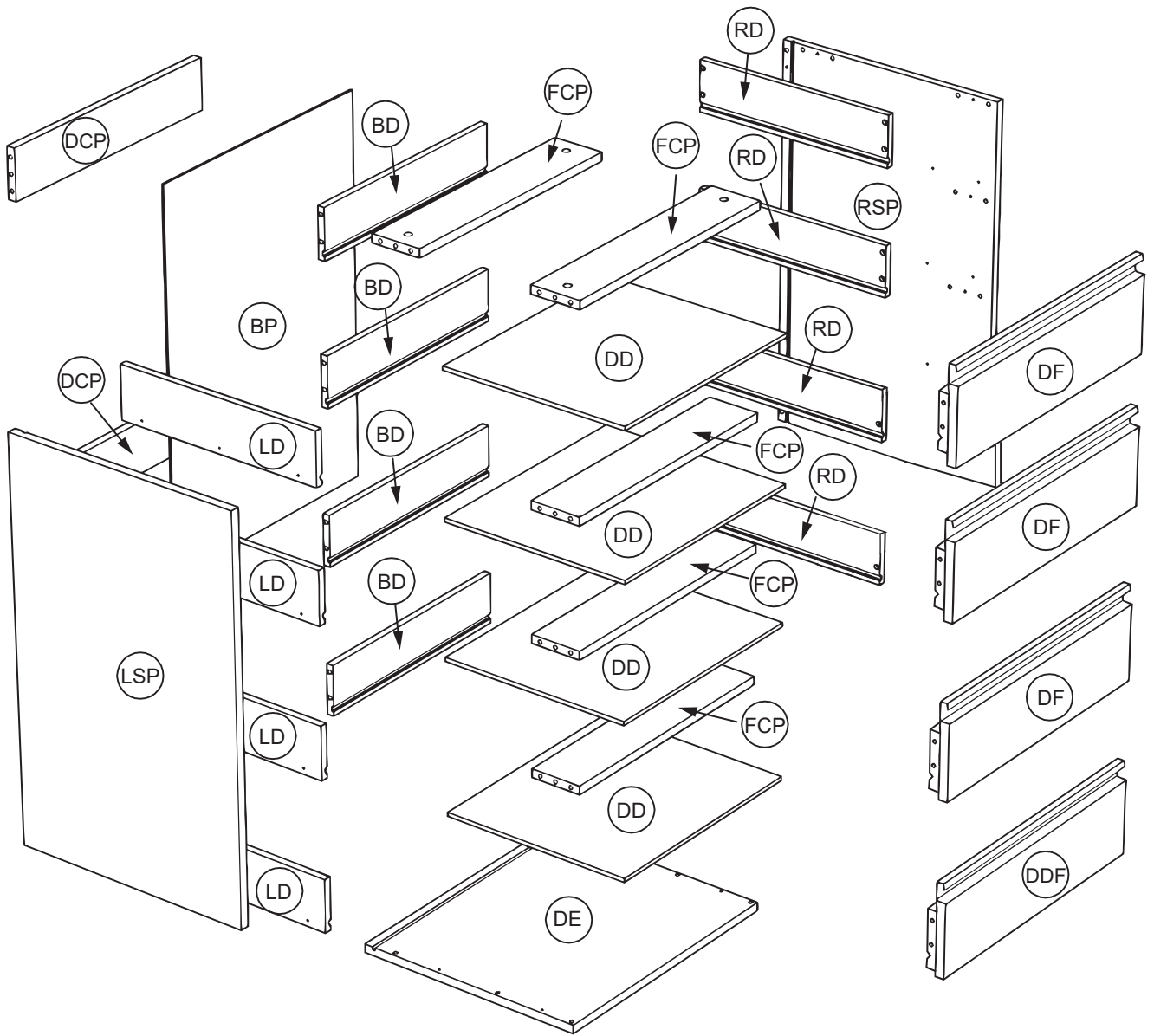
Do not open more than one drawer at a time

Do not place heavy items in the top drawers

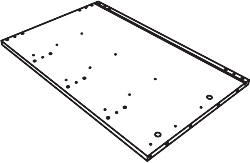
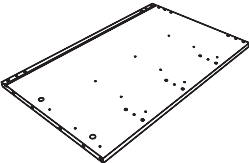


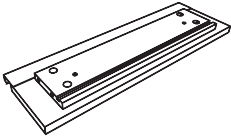
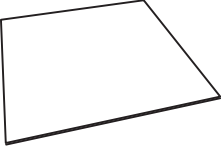


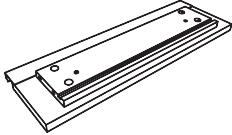



Do not place heavy items on top of the furniture, unless the furniture has been designed for this purpose

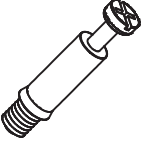
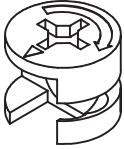


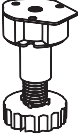


Please note that only the anti tip strap is provided.

You will need to provide wall plugs and screws applicable for your wall type






PRODUCT PARTS

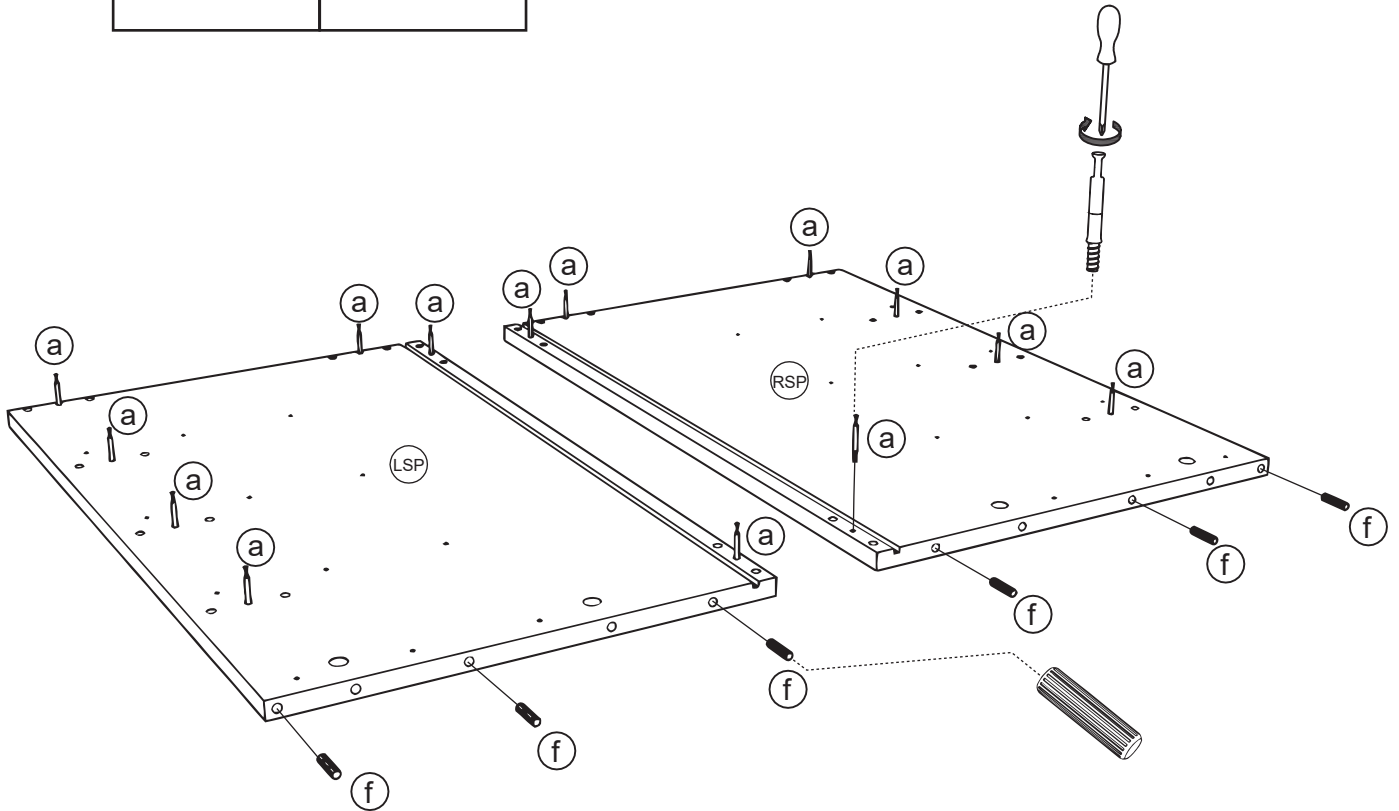
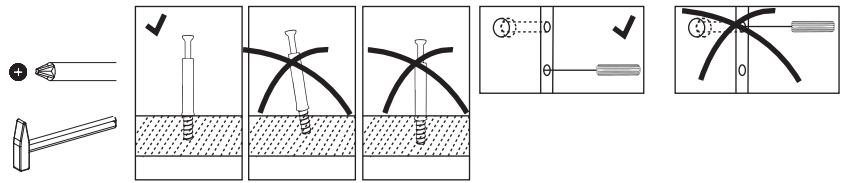
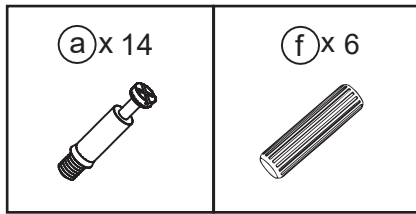
LSP	LEFT SIDE PANEL	RSP	RIGHT SIDE PANEL	DE	DECK
					
	1PC(S)		1PC(S)		1PC(S)
FCP	CONNECTING PANEL	DF	DRAWER FACE	BP	BACK PANEL
					
	5PC(S)		3PC(S)		1PC(S)
LD	LEFT DRAWER SIDE	RD	RIGHT DRAWER SIDE	DDF	DRAWER FACE
					
	4PC(S)		4PC(S)		1PC(S)
BD	DRAWER BACK	DD	DRAWER BOTTOM	DCP	CONNECTING PANEL
					
	4PC(S)		4PC(S)		2PC(S)

<p>Ⓐ x 50</p> 	<p>Ⓑ x 18</p> 	<p>Ⓓ x 60 Φ4*16</p> 	<p>Ⓕ x 34</p> 
<p>Ⓖ x 4</p> 	<p>Ⓗ x 8</p> 	<p>ⓈⒷ x 32</p> 	

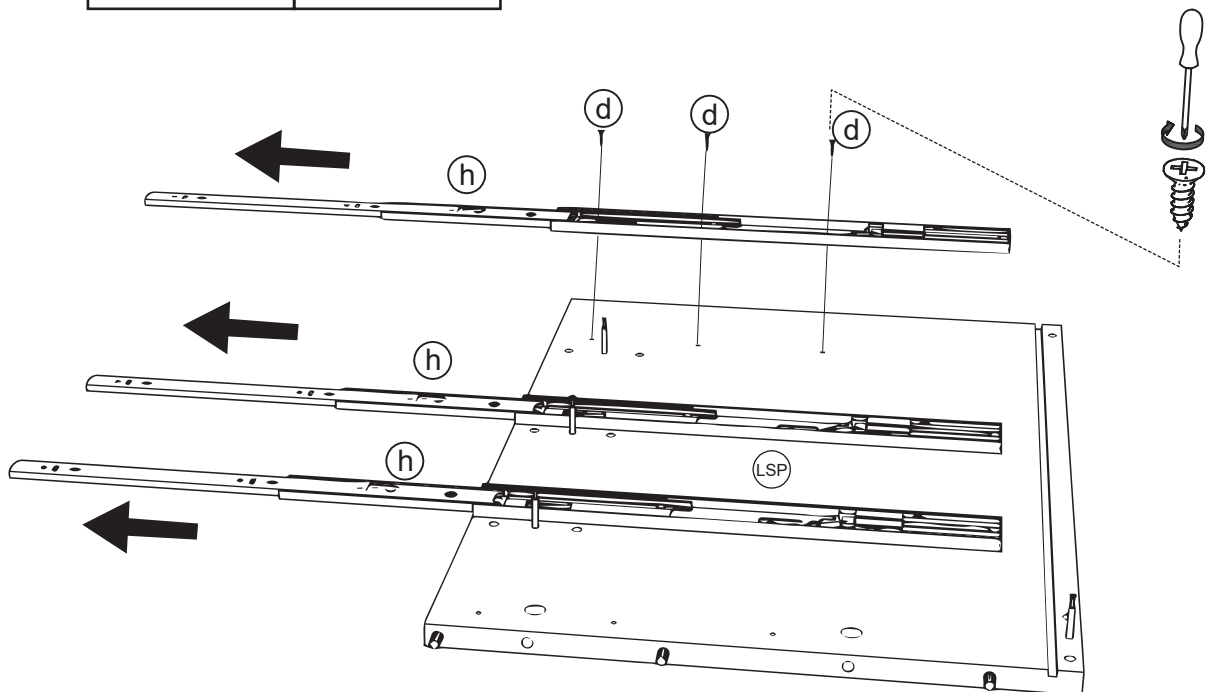
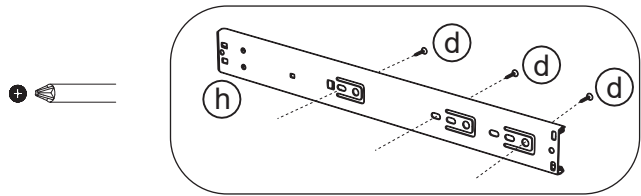
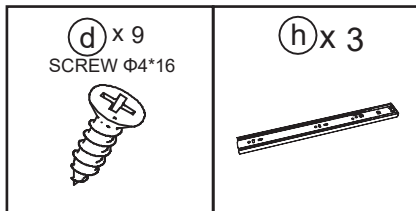
RECOMMENDED TOOLS

<p>SCREWDRIVER</p> 	<p>DRILL</p> 	<p>RUBBER Mallet</p> 
--	--	--

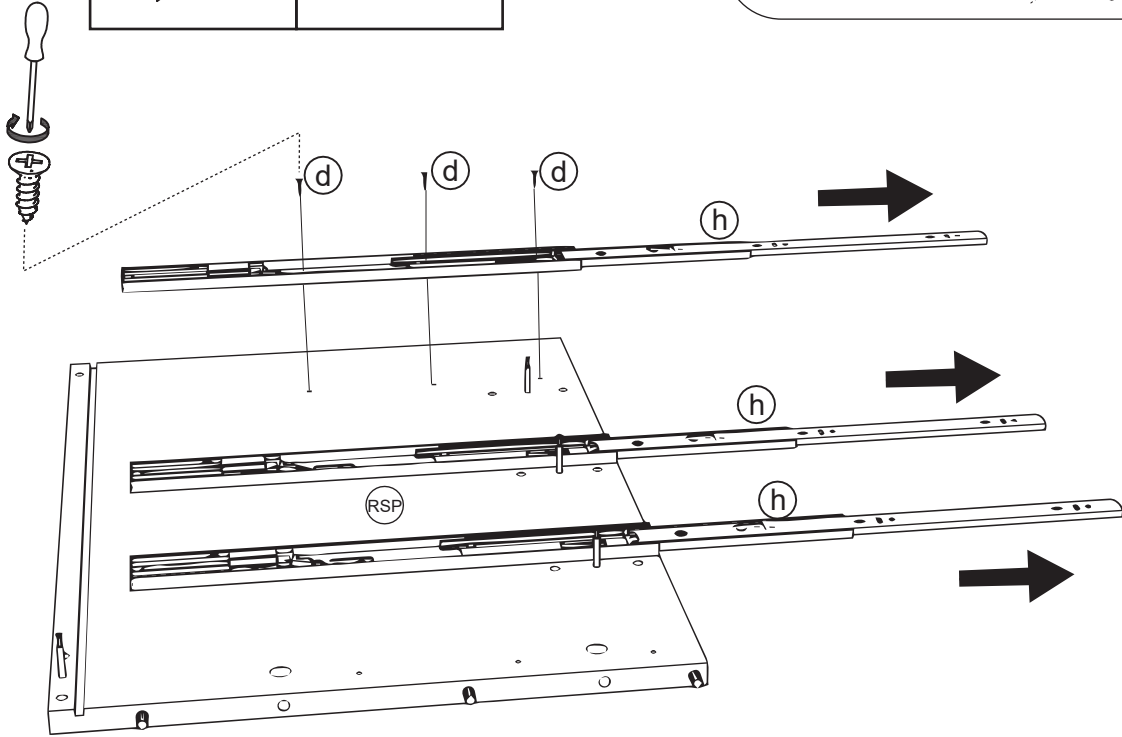
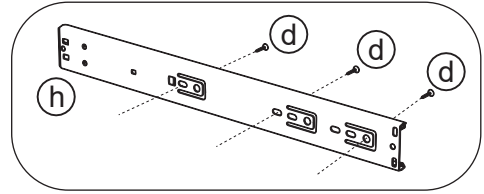
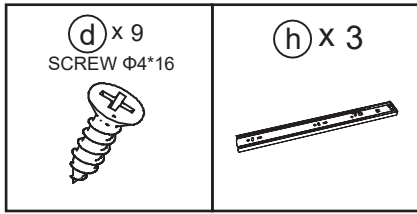
1



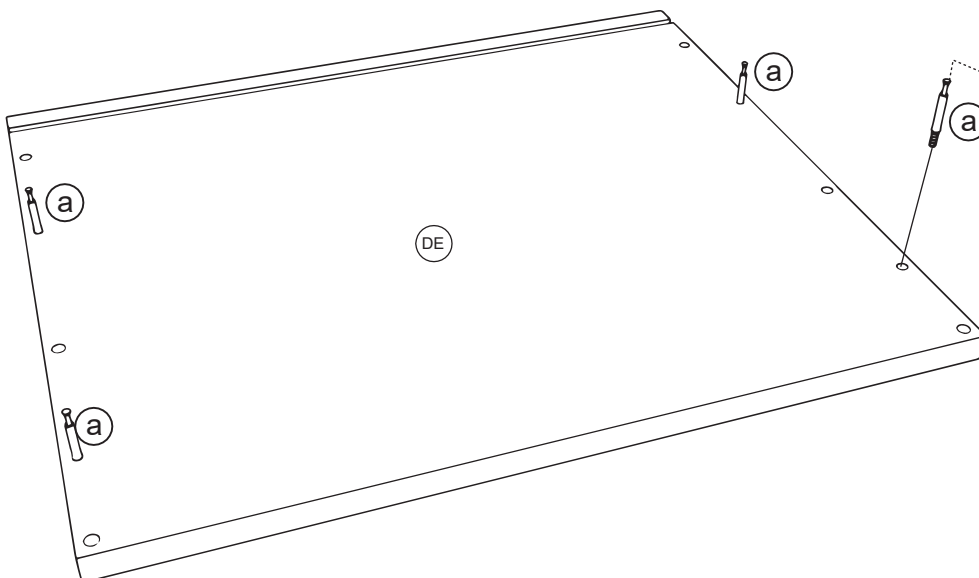
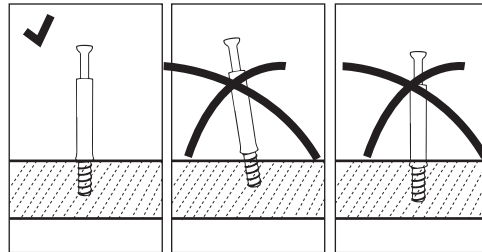
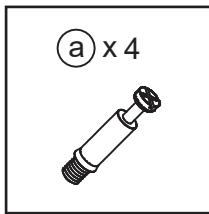
2



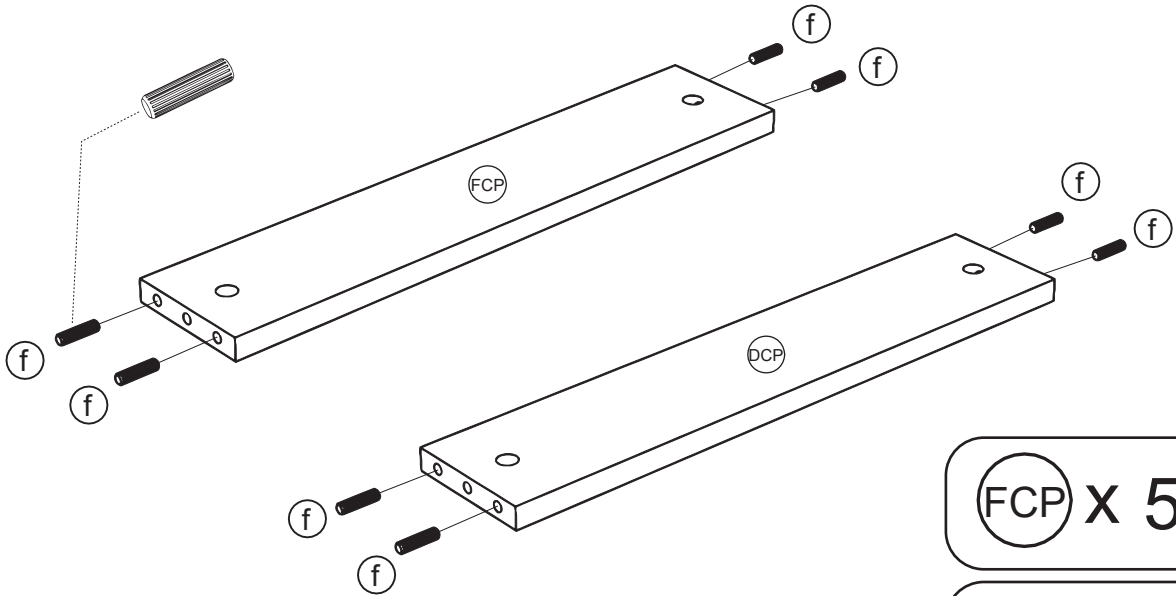
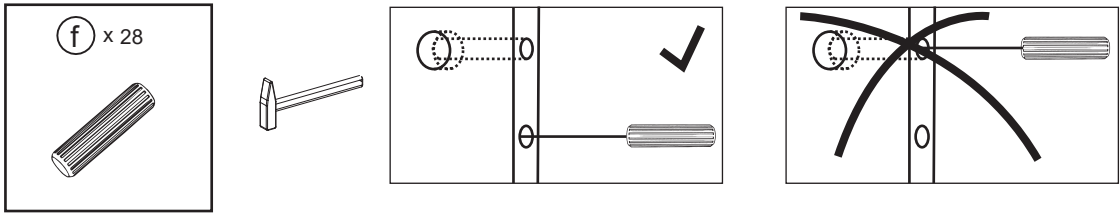
3



4



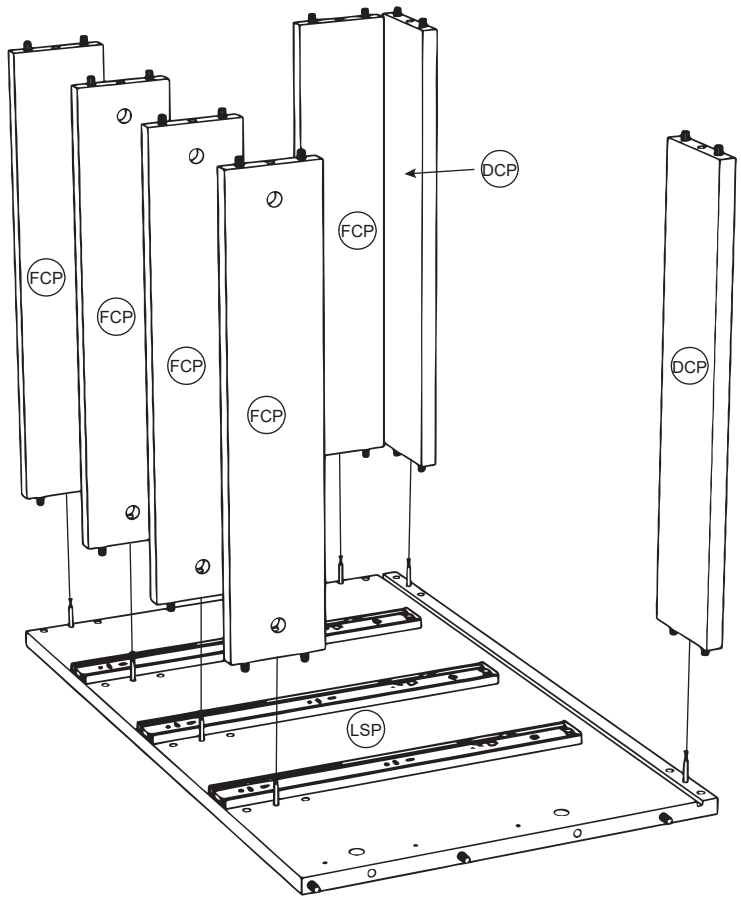
5



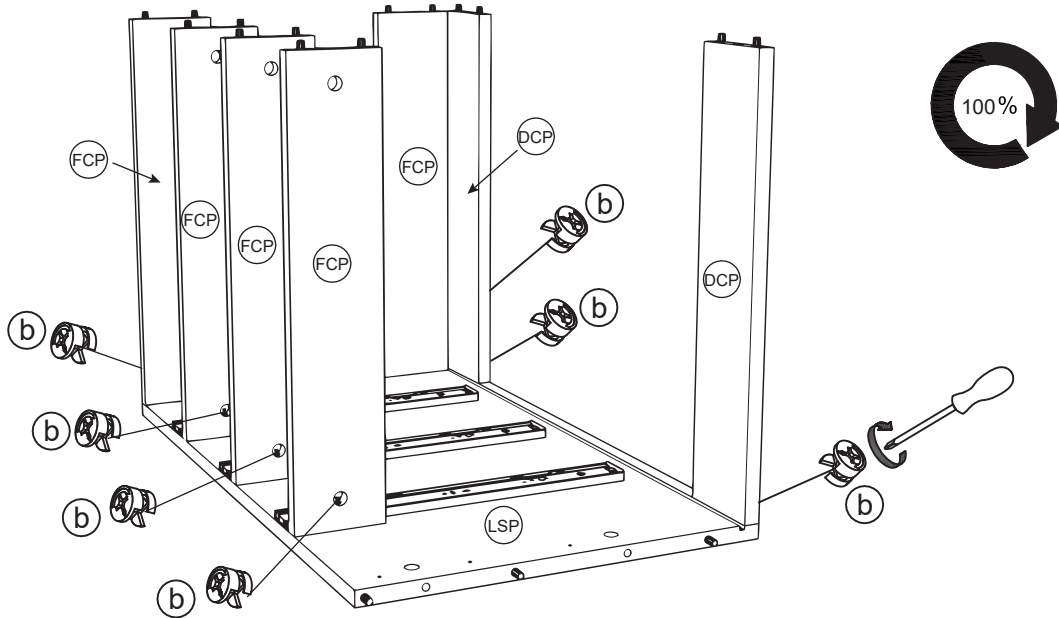
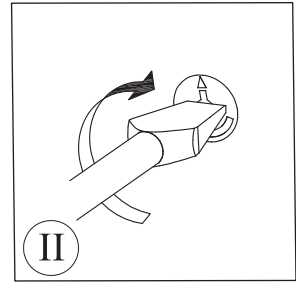
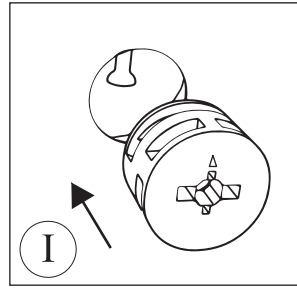
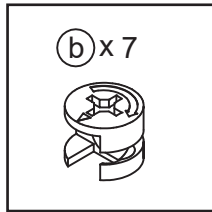
FCP X 5

DCP X 2

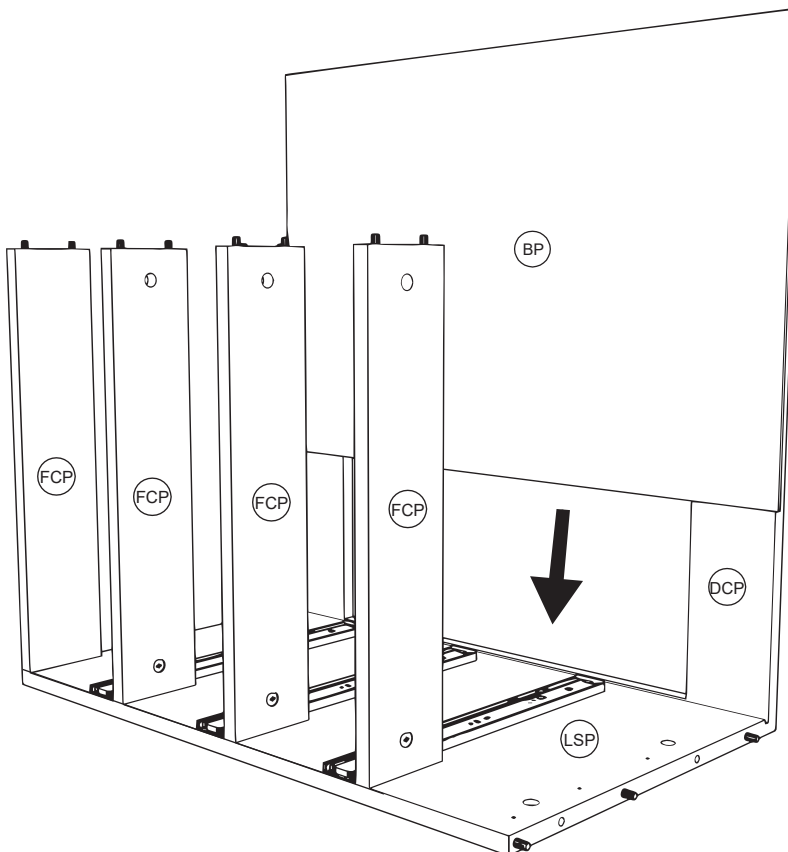
6



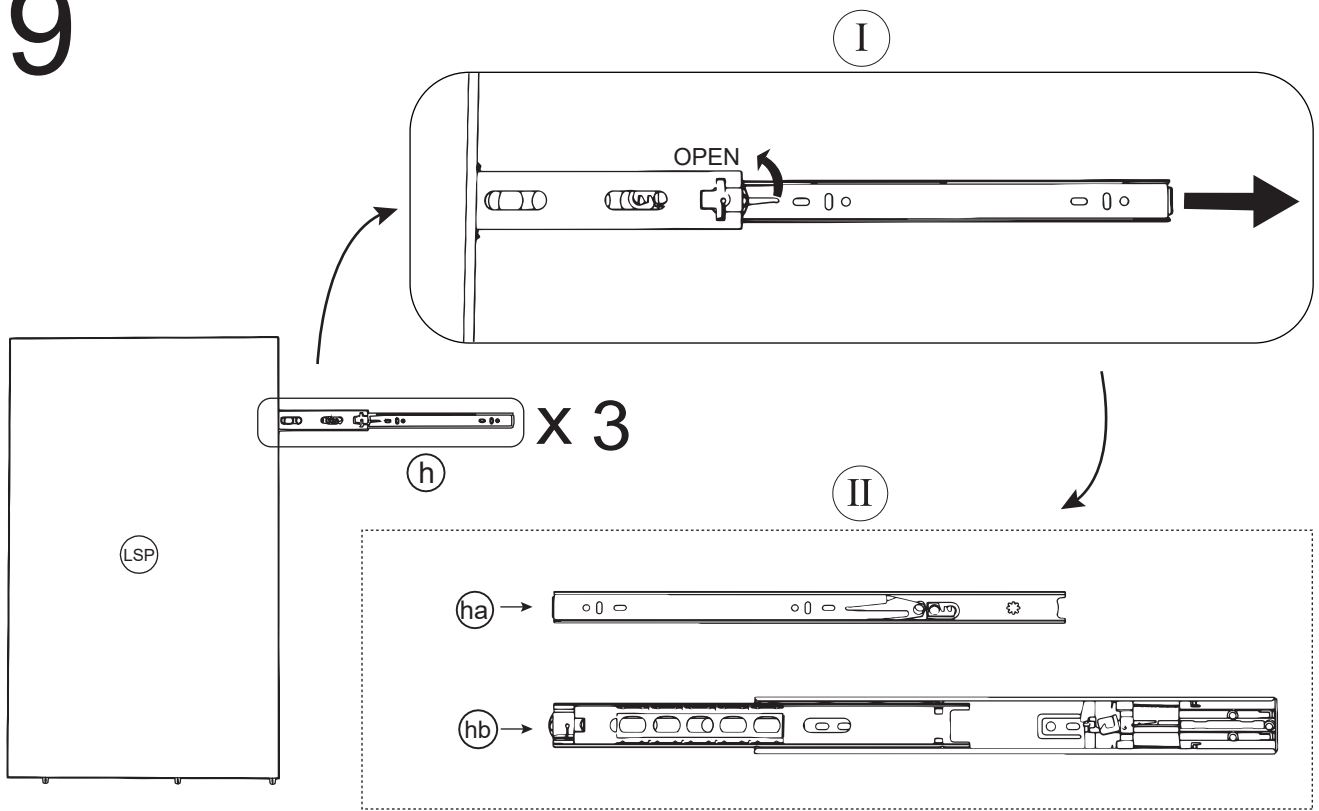
7



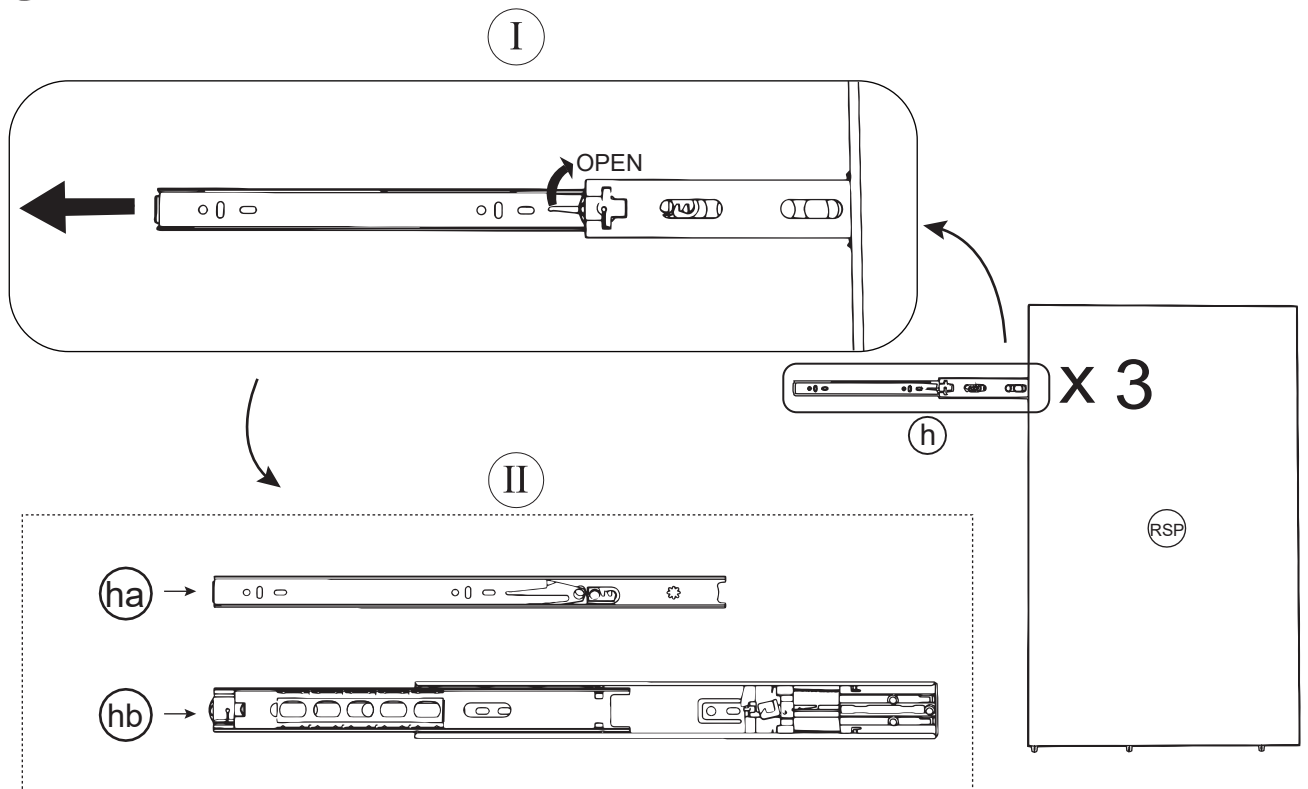
8



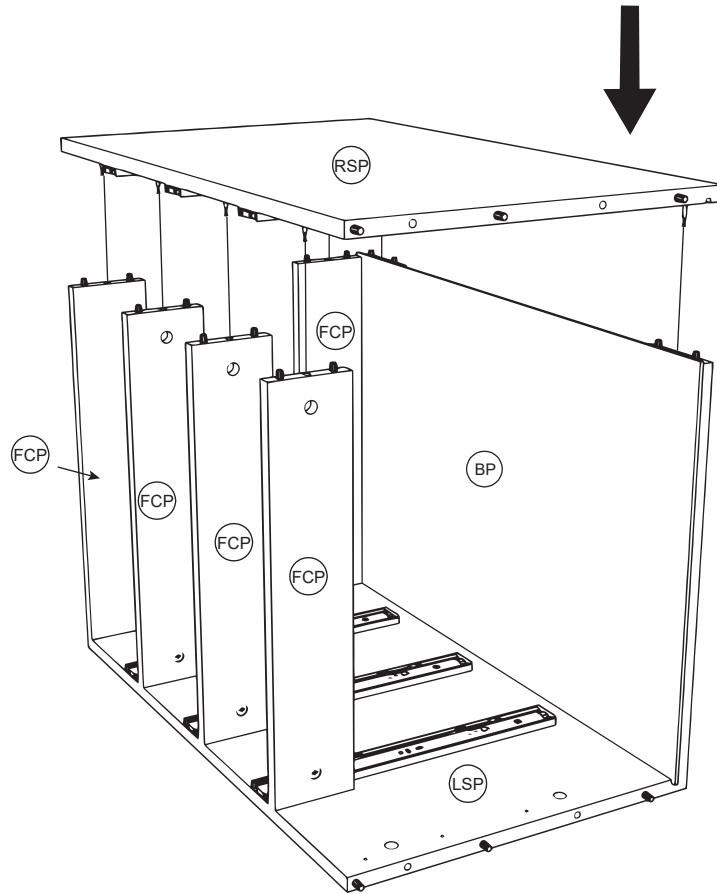
9



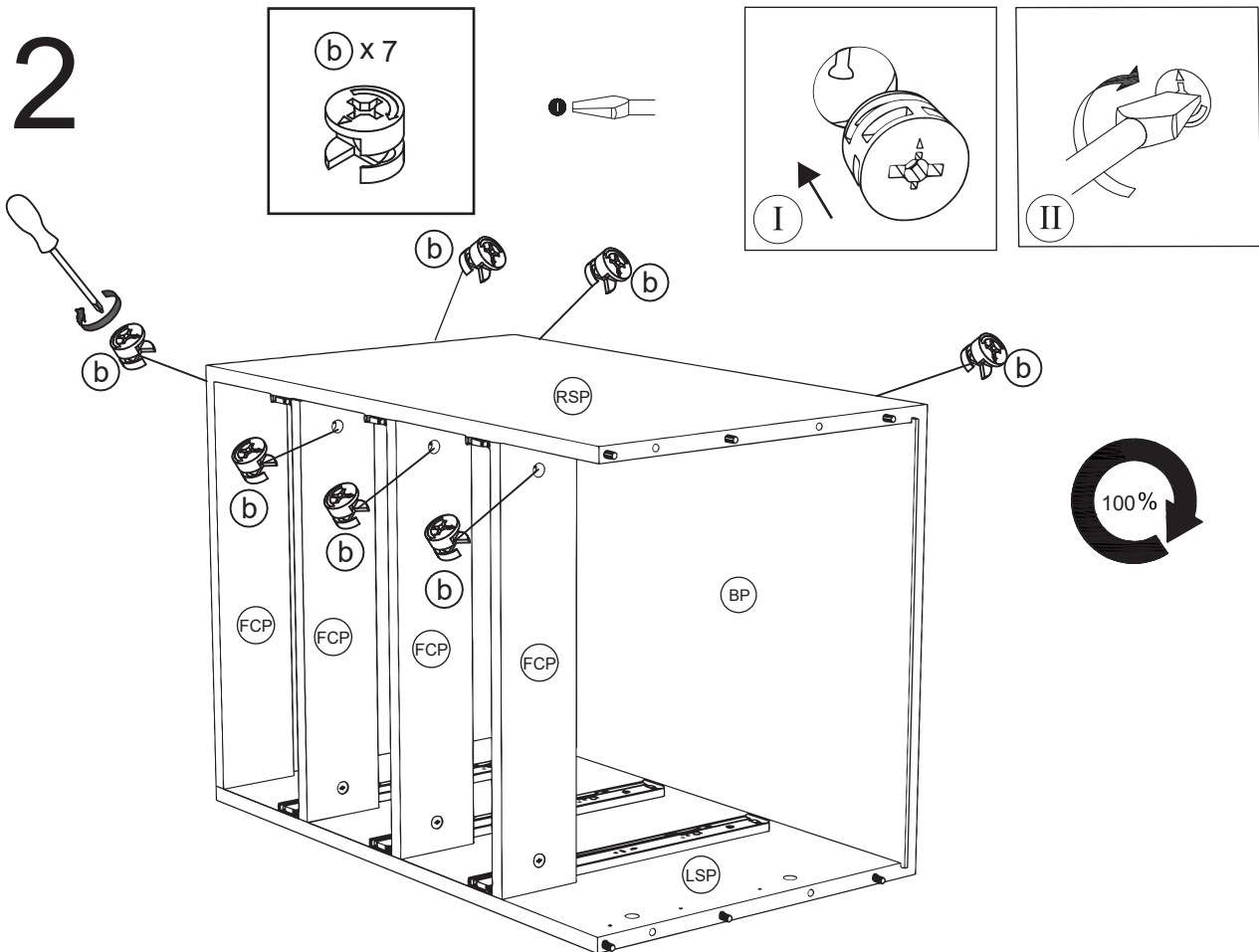
10



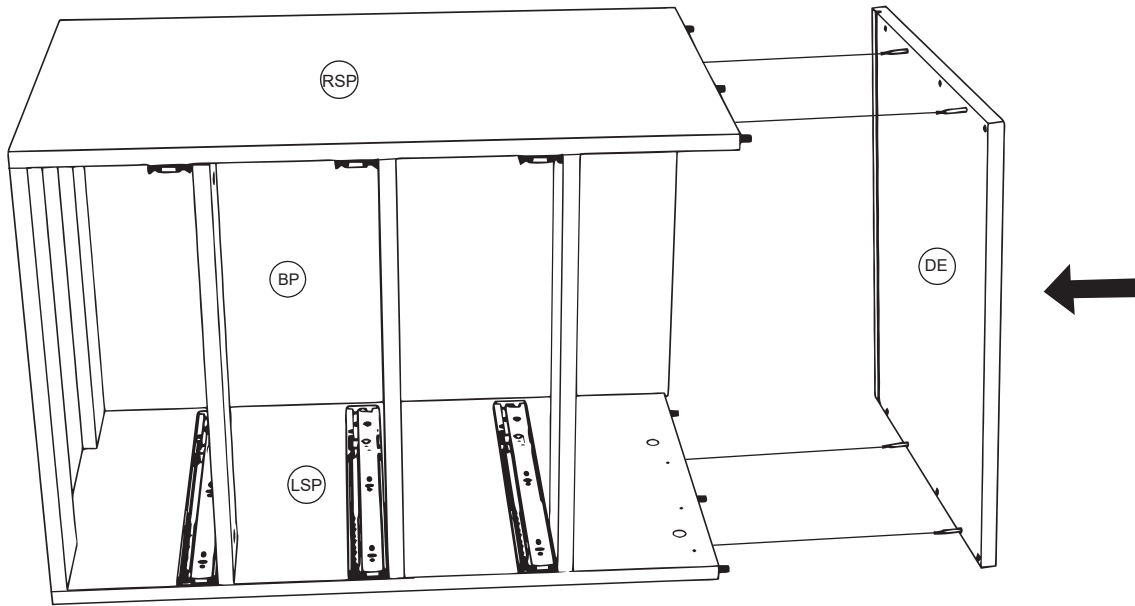
11



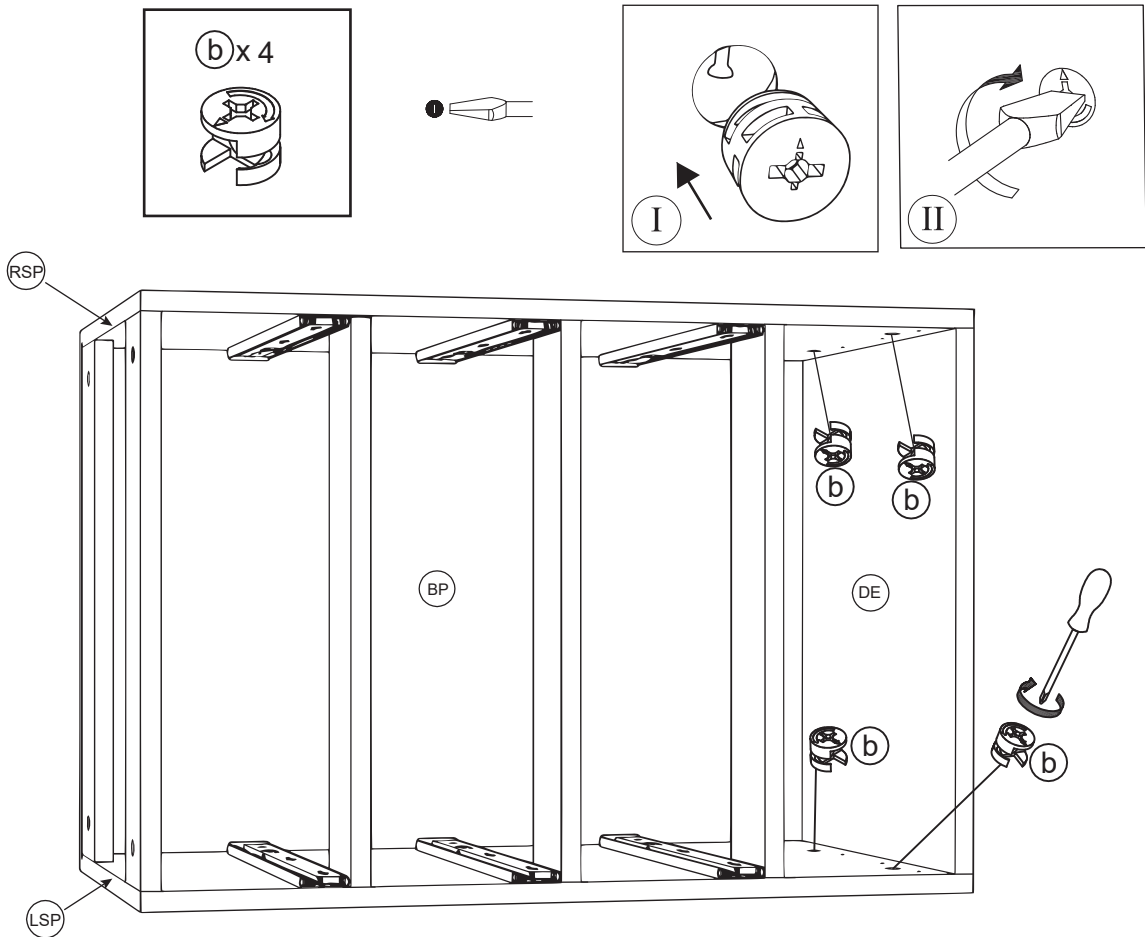
12



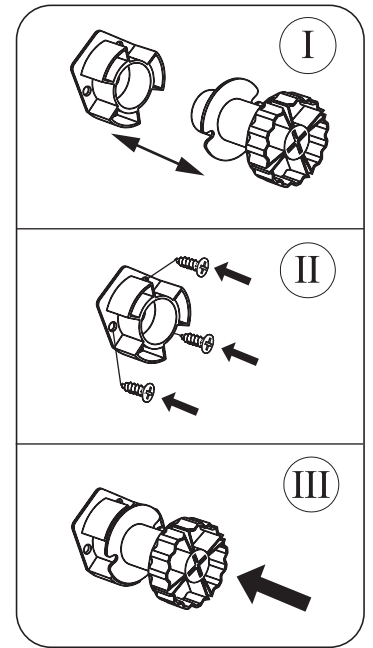
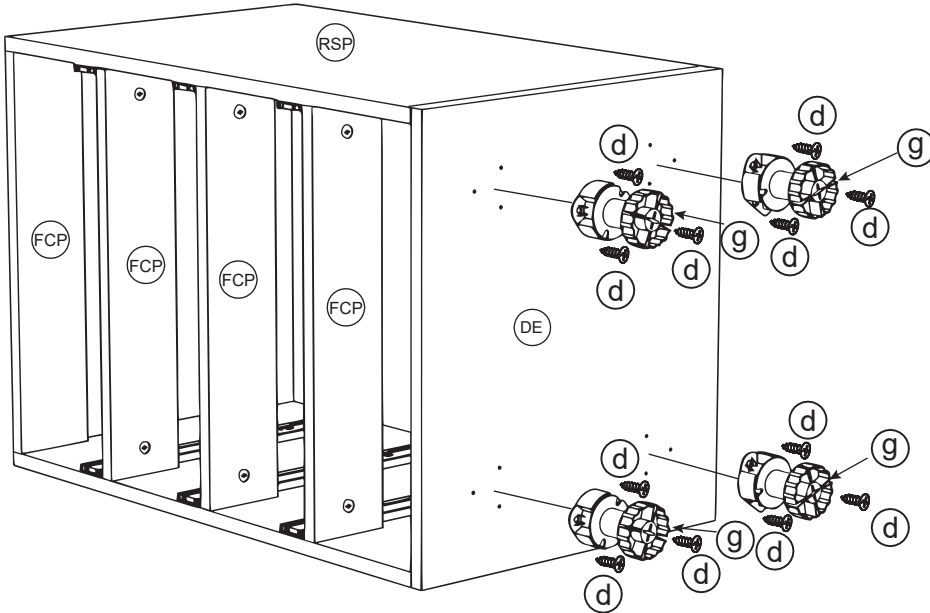
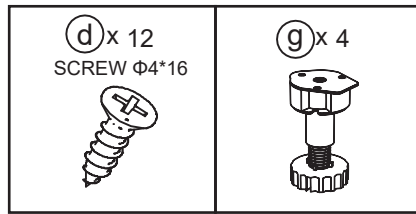
13



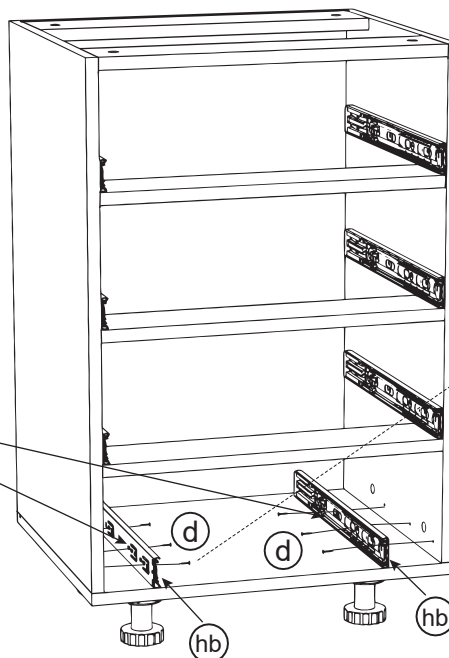
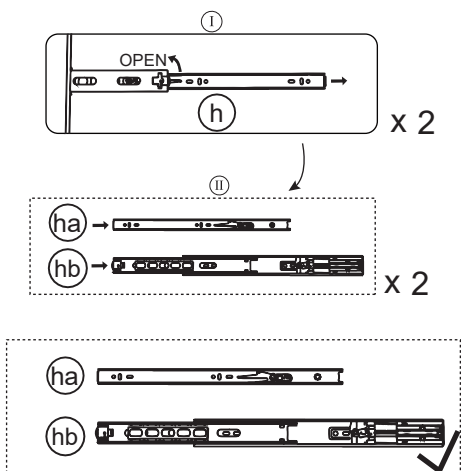
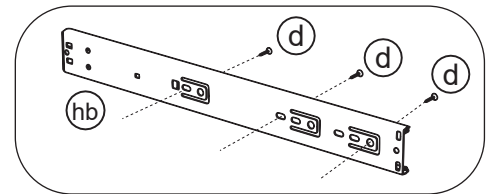
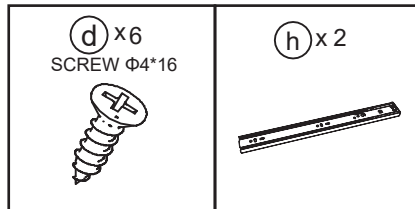
14



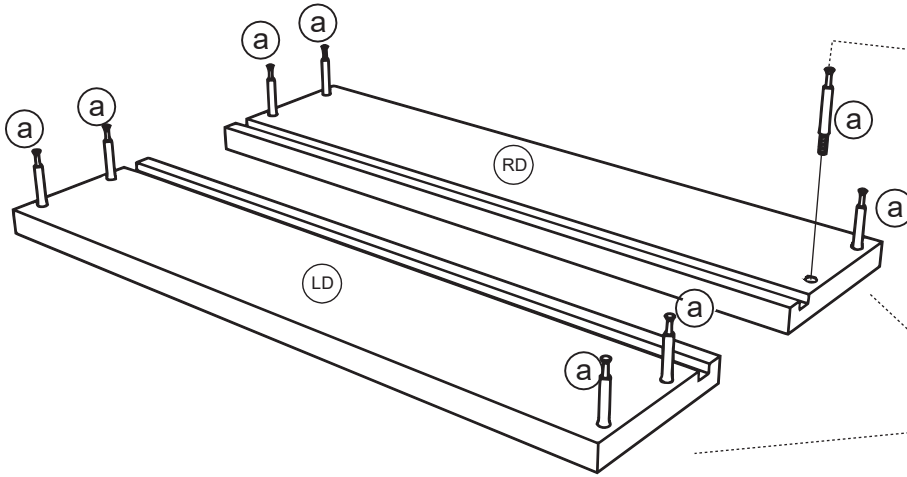
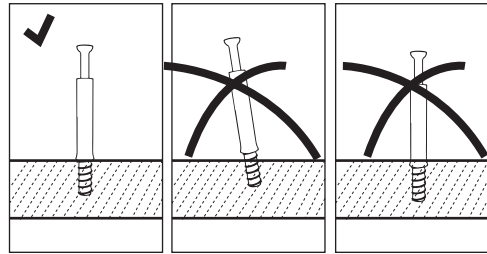
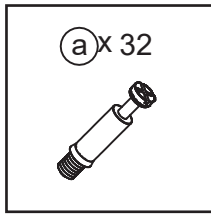
15



16

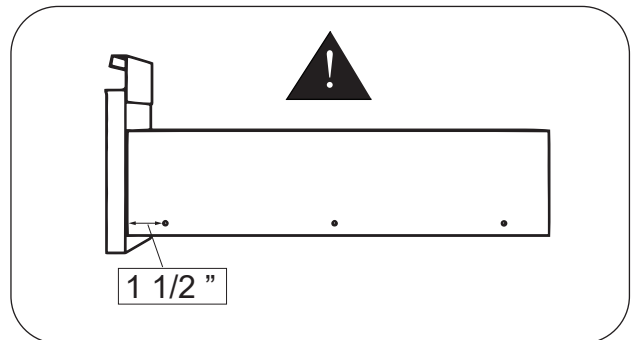
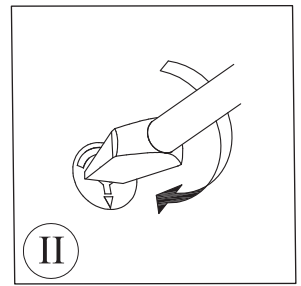
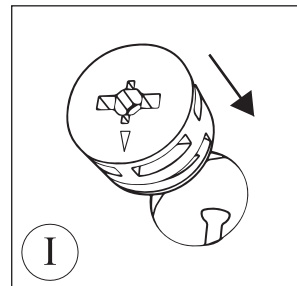
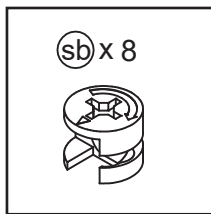


17

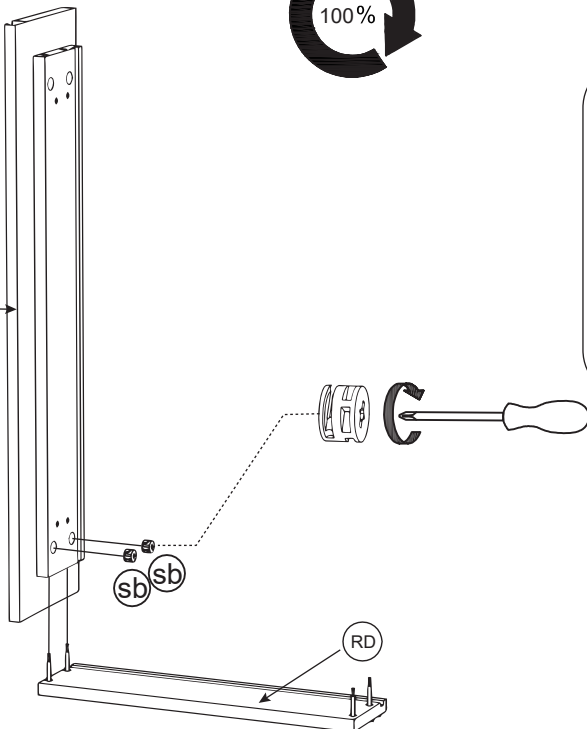


x 4

18

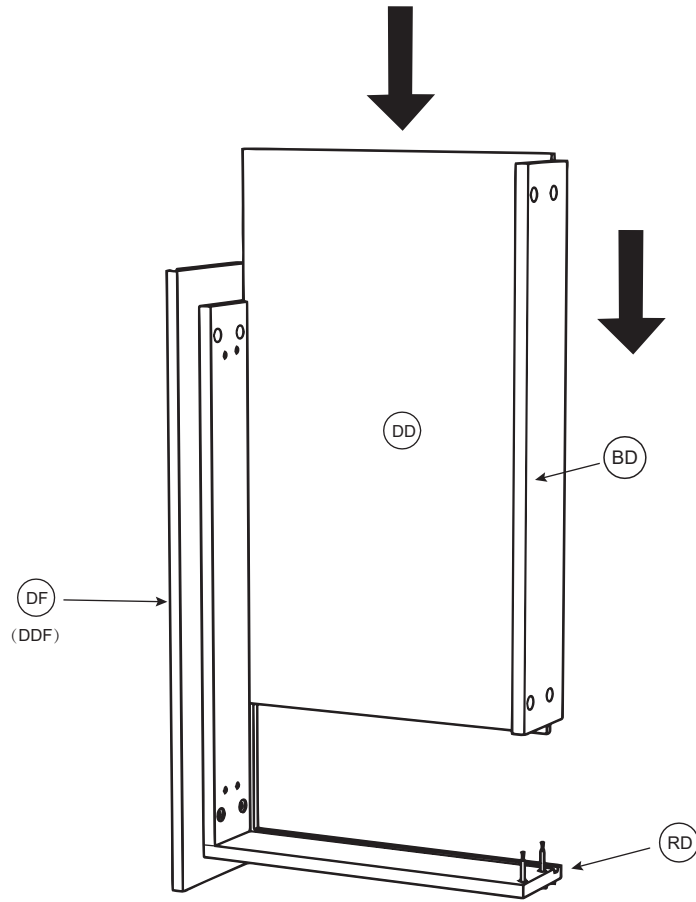


(DF)
(DDF)



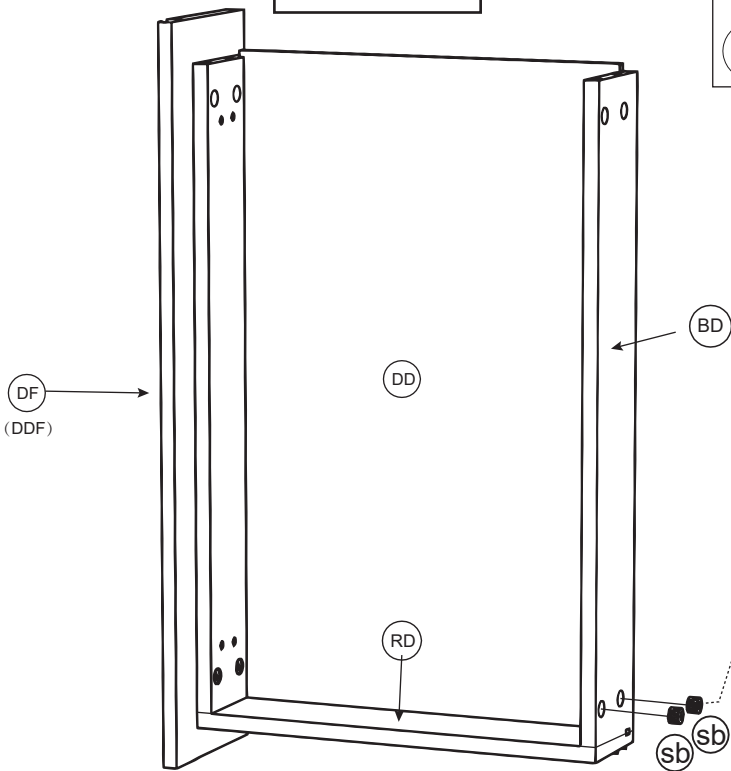
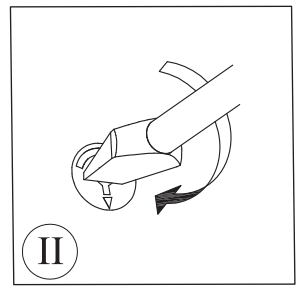
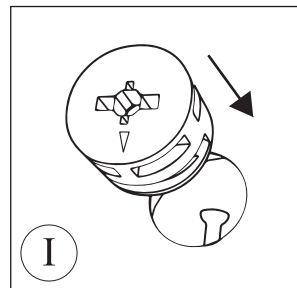
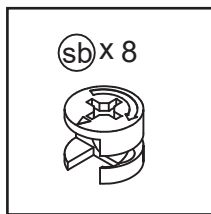
x 4

19



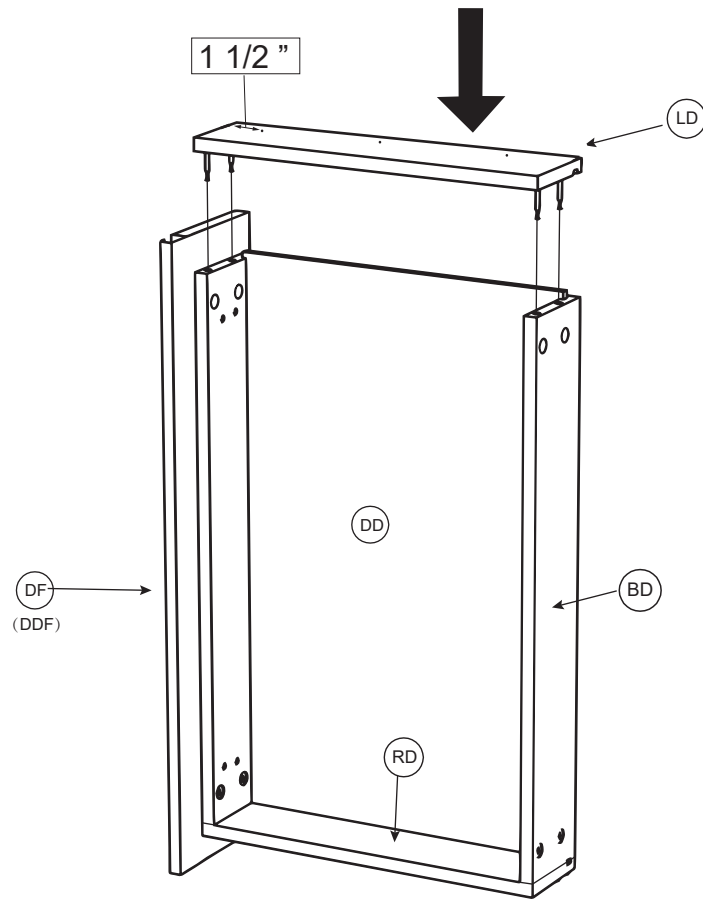
x 4

20



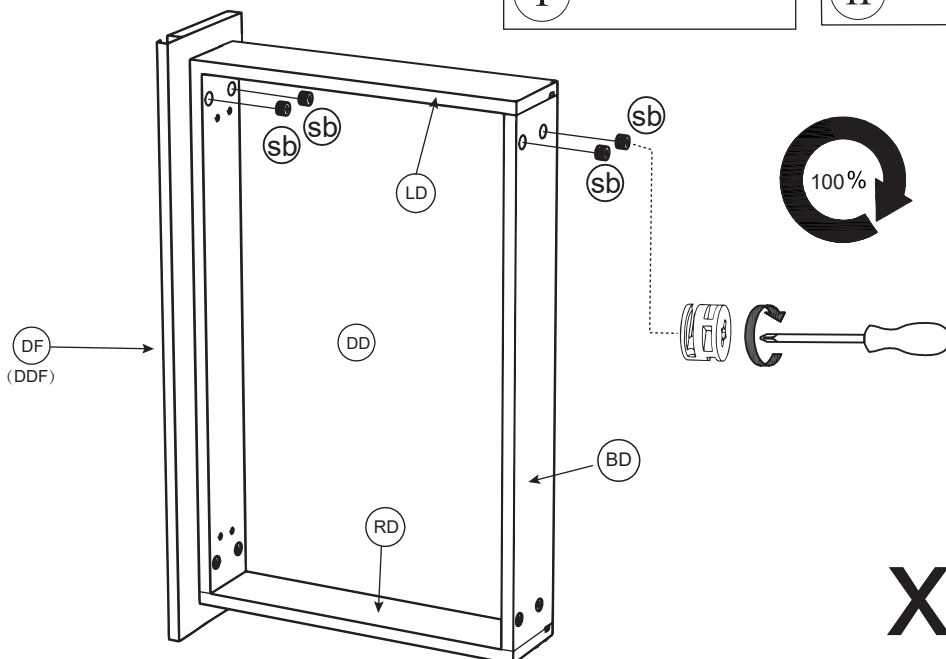
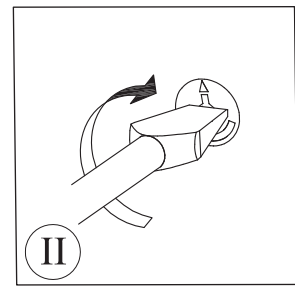
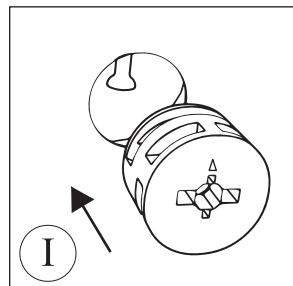
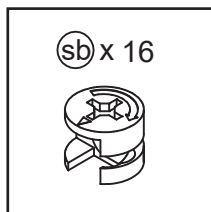
x 4

21



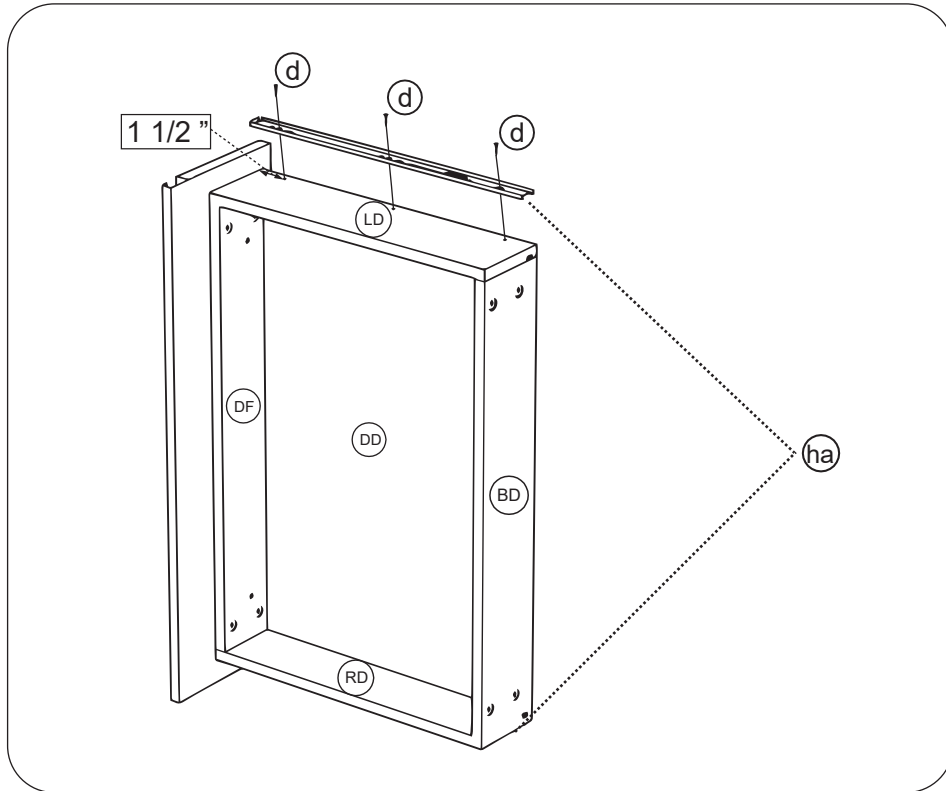
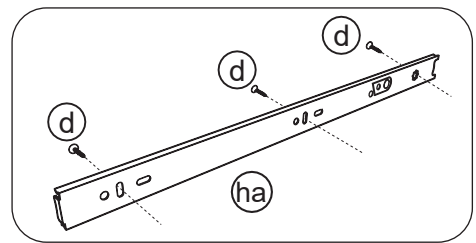
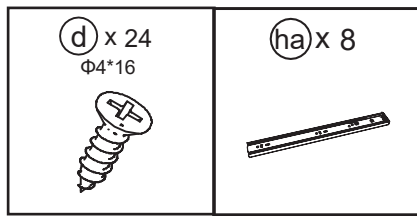
x 4

22



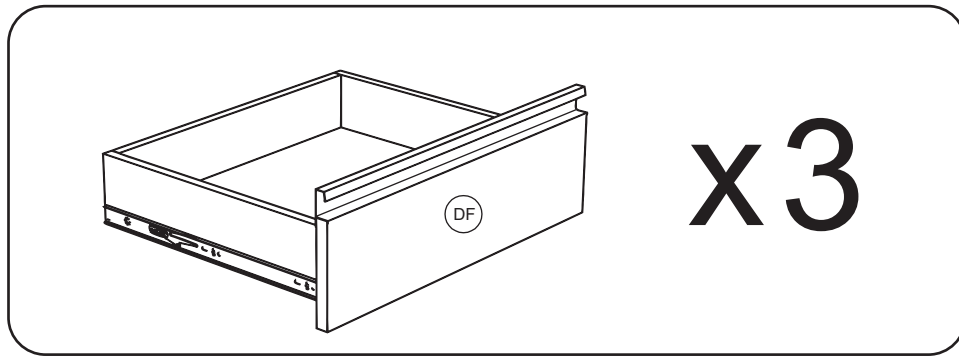
x 4

23

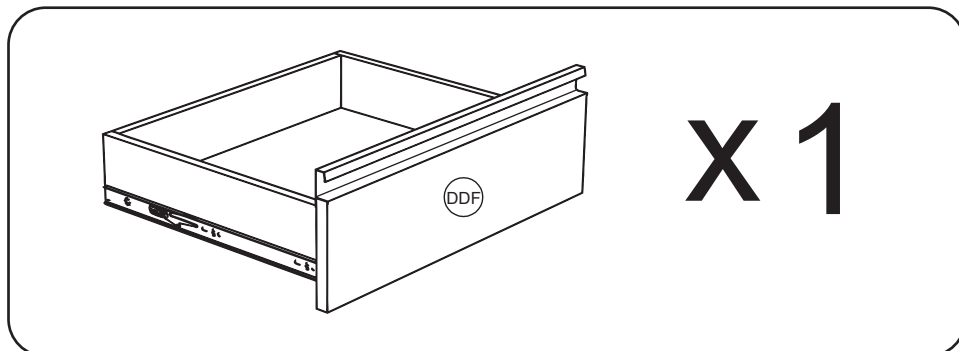


x 4

24

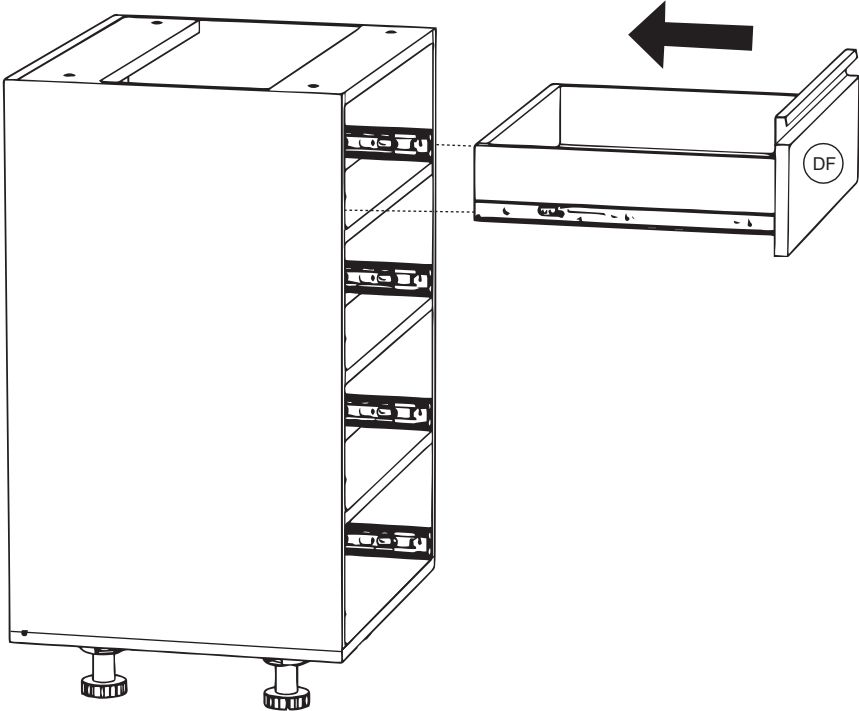


x 3

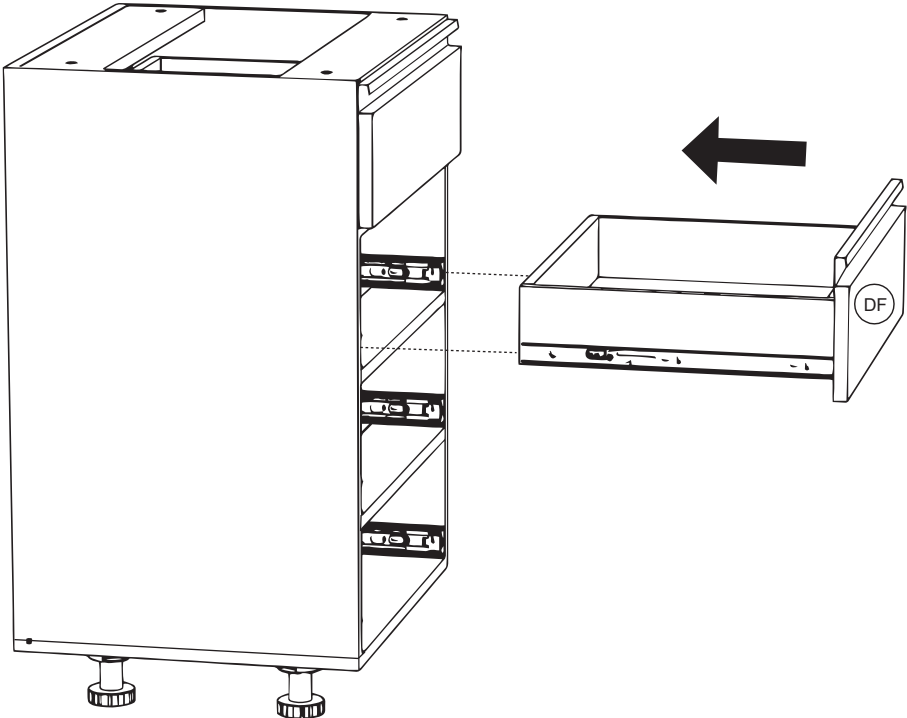


x 1

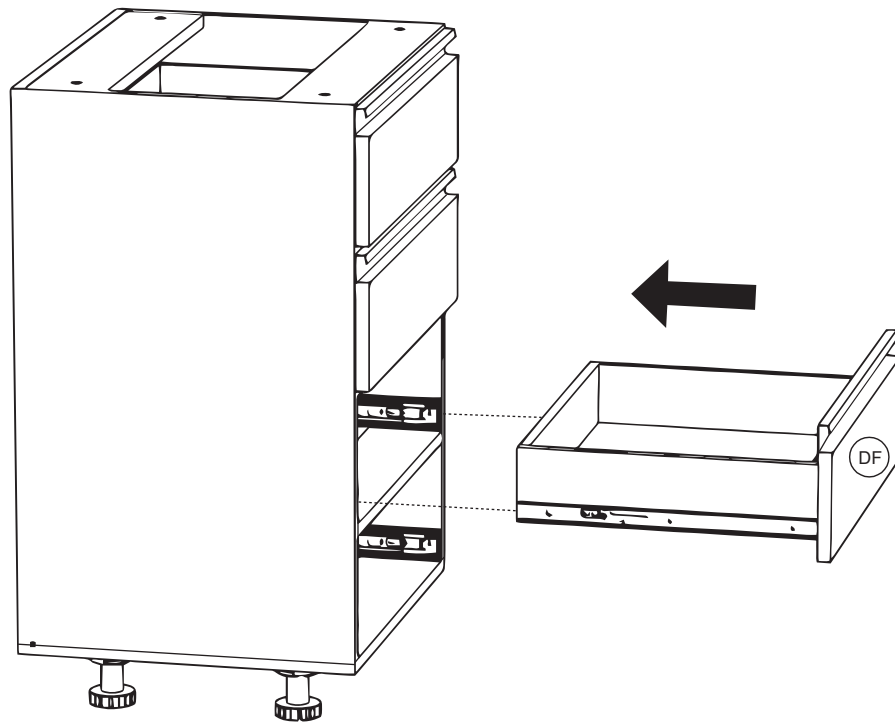
25



26



27



28

