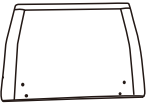
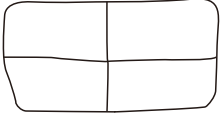
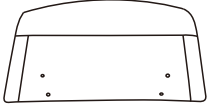

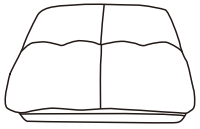
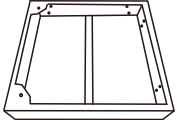
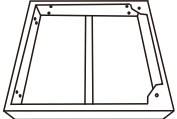
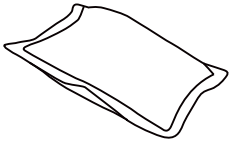

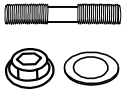
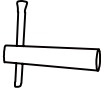


# Assembly Instructions

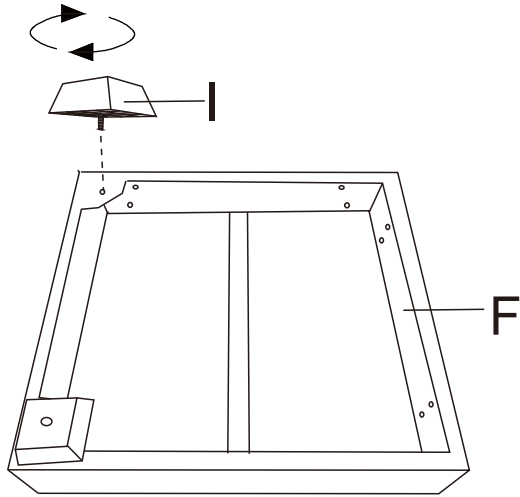
## Parts List

A		Back frame	2
B		Back cushion	2
C		Arm	2
D		Arm bag	2
E		Cushion	2
F		Left seat frame	1
G		Right seat frame	1
H		Pillow	2
I		Foot	8
J		Screw	16
K		Wrench	1

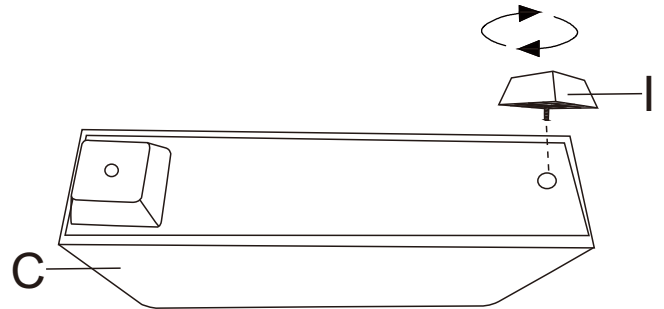
# Assembly Instructions

## Assembly Steps

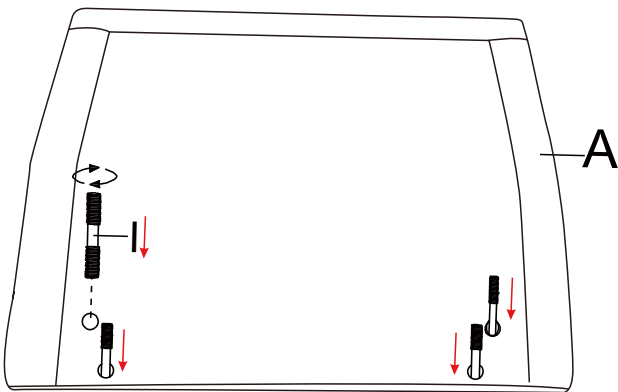
Step 1



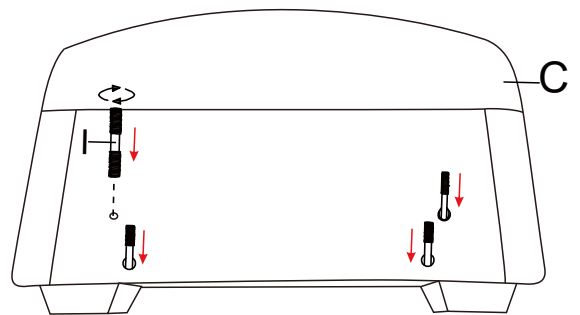
Step 2



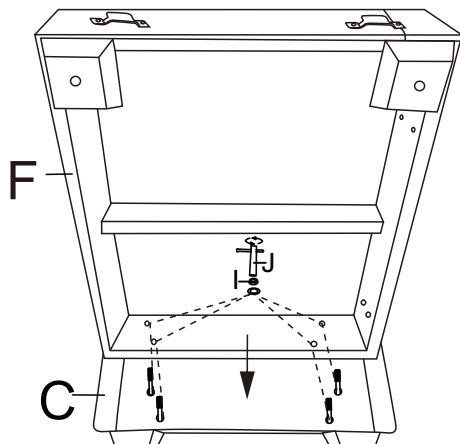
Step 3



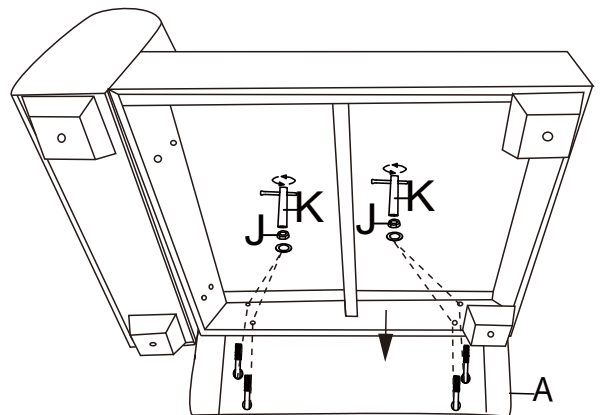
Step 4



Step 5



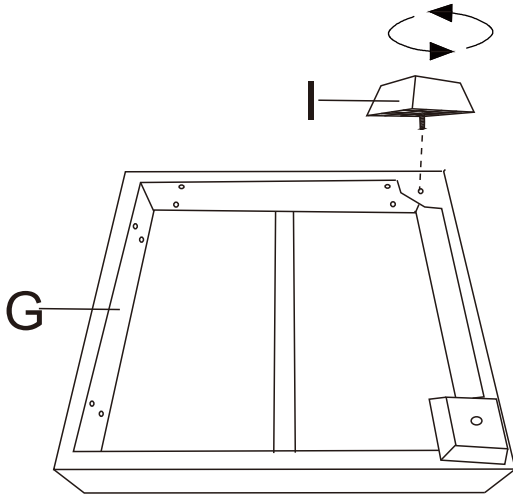
Step 6



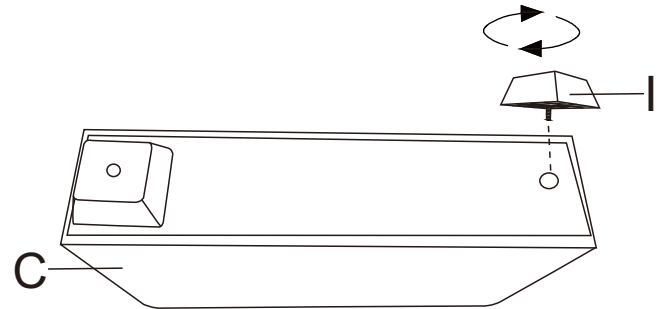
# Assembly Instructions

## Assembly Steps

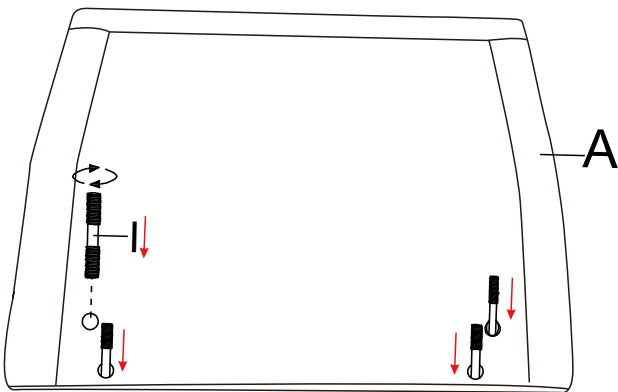
Step 7



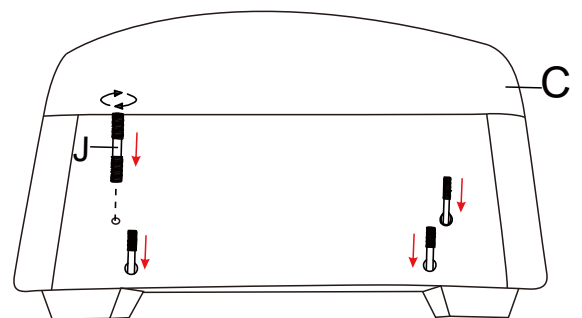
Step 8



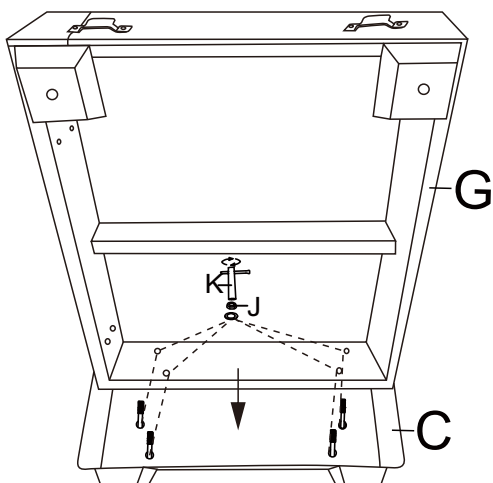
Step 9



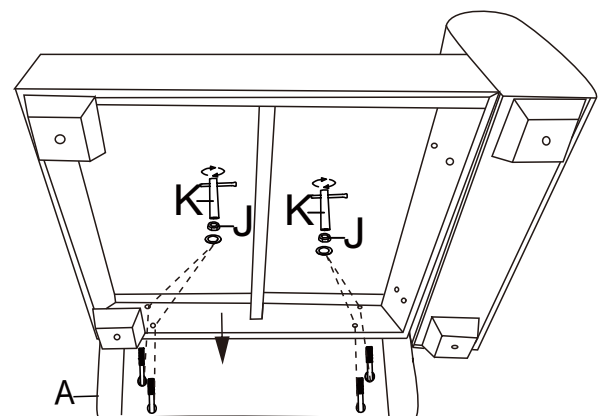
Step 10



Step 11



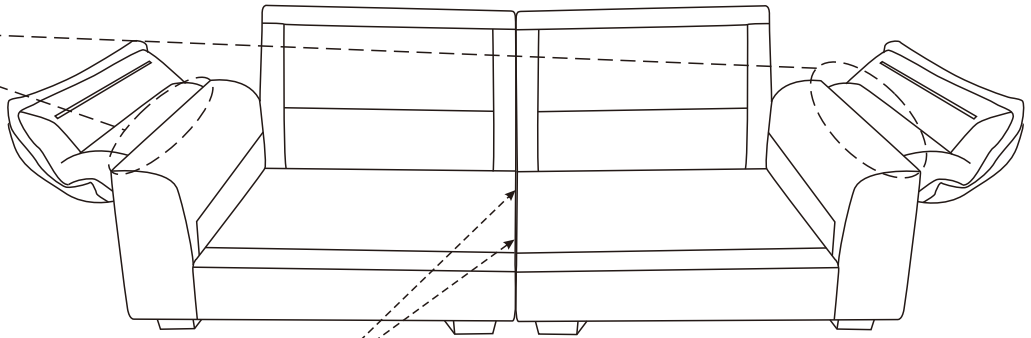
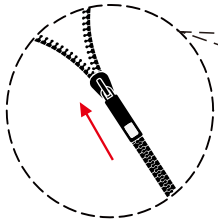
Step 12



# Assembly Instructions

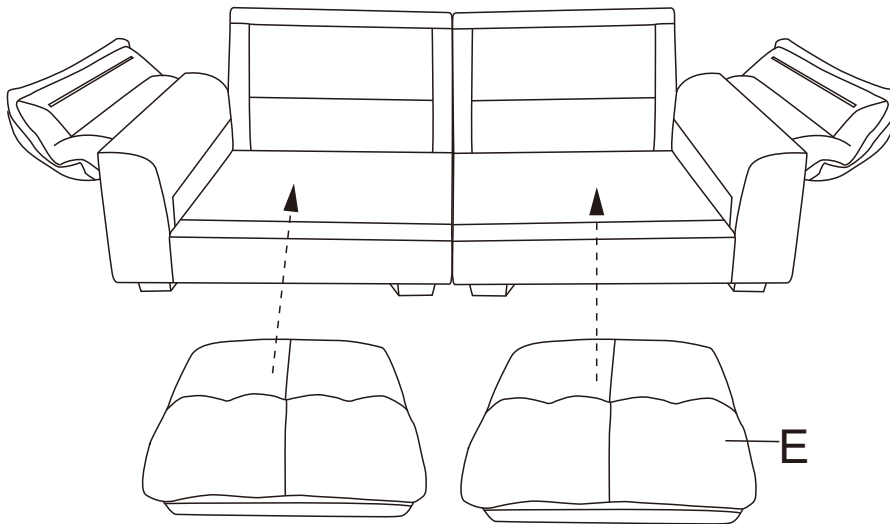
## Assembly Steps

### Step 13



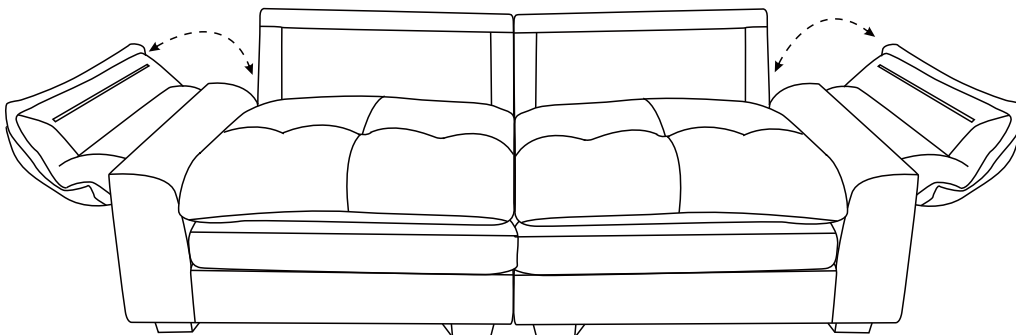
Attention:inside insert have connected

### Step 14



### Step 15

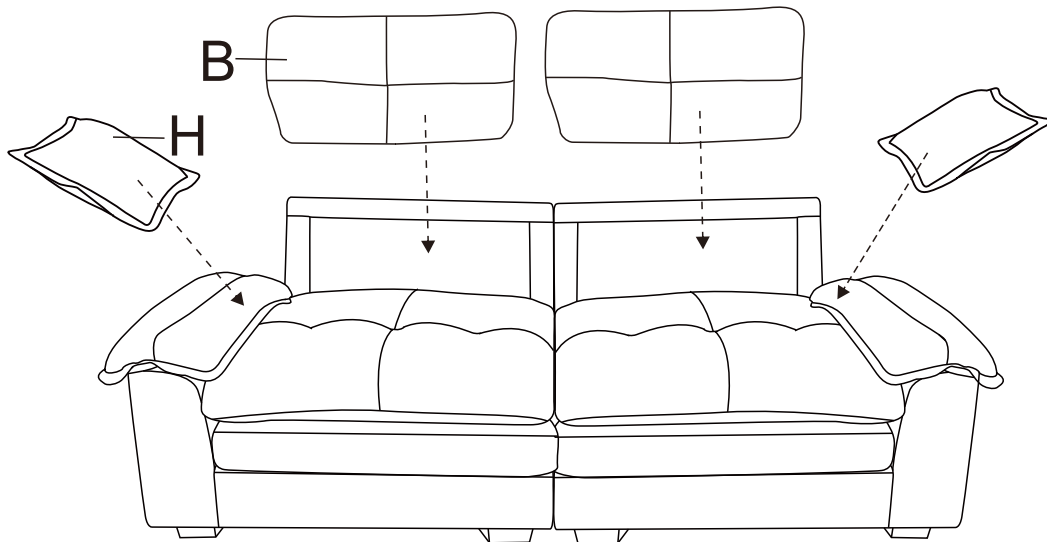
Hand bag can be turned left and right



# Assembly Instructions

## Assembly Steps

### Step 16



### Step 17

