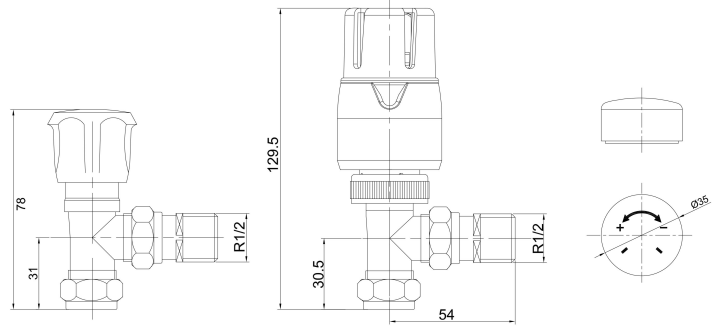


# CUSTOMER DATA SHEET - HEATING

**DESCRIPTION:** Angled Thermostatic Radiator Valve Pack



### PRODUCT DIMENSIONS

Height (mm)	Width (mm)	Depth (mm)	Length (mm)	Nett Wgt Kg
130	45	76		0.51

### PACKAGING DIMENSIONS

Height (mm)	Width (mm)	Length (mm)	Gross Wgt Kg
73	105	93	0.51

### PACKAGING DATA

Box Colour	White Cardboard Box		
Box Qty	1	Label Colour	White Label
Label Size	100 x 50	Label Qty	1

### OUTER BOX DIMENSIONS (If Applicable)

Height (mm)	Width (mm)	Length (mm)	Gross Wgt Kg

### PRODUCT DETAILS

Contry of Origin	China				
Fitting Instruction	No				
RAL No	N/A				
Heat Element Wattage	Not Applicable				
BTU Outputs	30°C	N/A	50°C	N/A	60°C
Pipe Centres	N/A				
Volume	N/A				
Wall to Ctr of Tappings	N/A				
Duel Fuel	N/A				

Certification	CE	N/A	RoHS	N/A	WEEE	N/A
Colour/Finish	Chrome					
Product Material	Steel					
Heat Element Wattage Compatible	N/A					
Thermal Outputs (Watts)	30°C	N/A	50°C	N/A	60°C	
Max Projection	N/A					
Tube Diameter	N/A					
Floor to Ctr of Tappings	N/A					