

# Collier and Perle Wall

700WSCLR, SLWS225, SLWS228, SLWS230 | 1.1

## VISUAL COMFORT & Co.

### MODERN COLLECTION

#### GENERAL PRODUCT INFORMATION:

These fixtures are intended to be installed utilizing NEC compliant junction boxes. **Either a 2"x4" Junction box or 4" Junction Box may be used.**



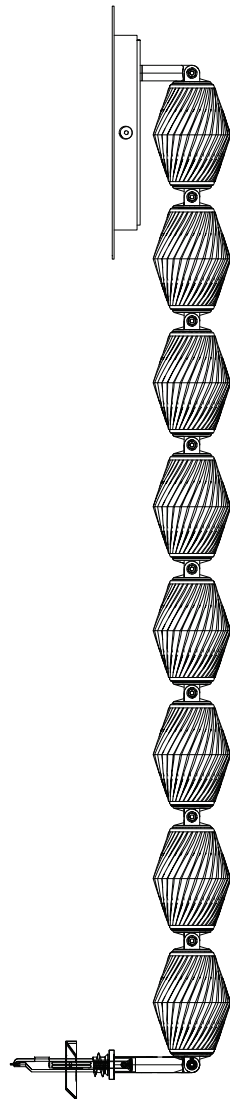
This product is safety listed for dry indoor locations only.

Dimmable with most LED compatible ELV, TRIAC and 0-10V dimmers.

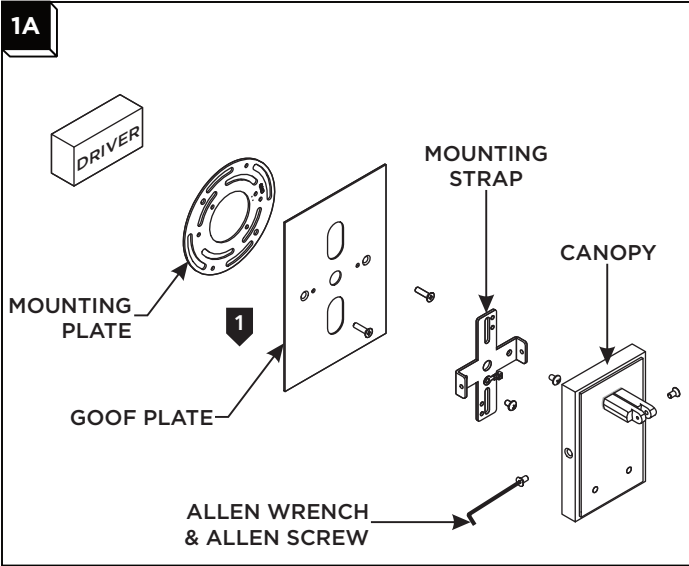
This instruction shows a typical installation.

**CAUTION - RISK OF FIRE**  
This product must be installed in accordance with the applicable installation code by a person familiar with the construction and operation of the product and the hazards involved.  
Use minimum 90°C supply conductors.

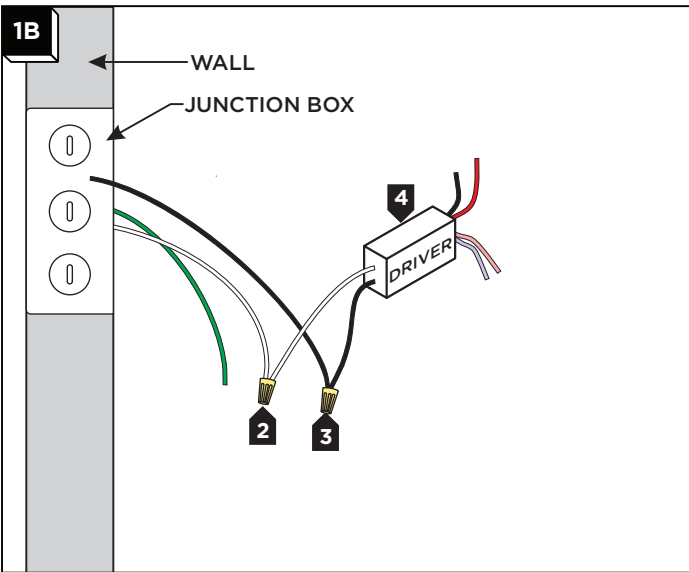
**SAVE THESE INSTRUCTIONS!**



# Install the Canopy



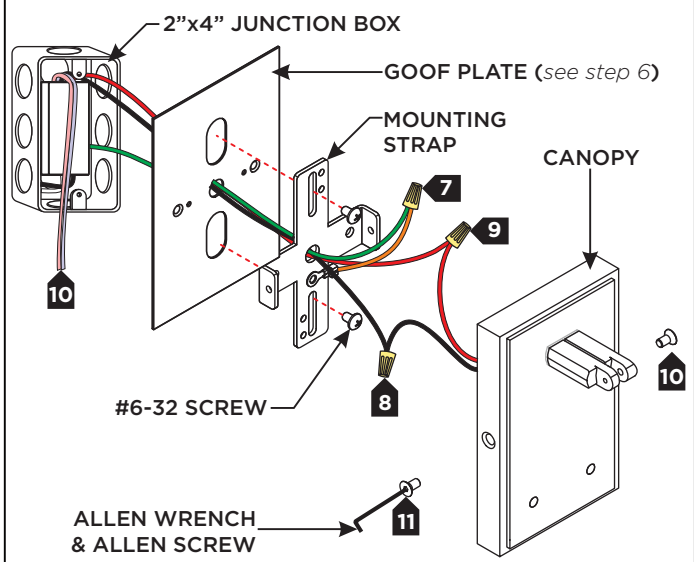
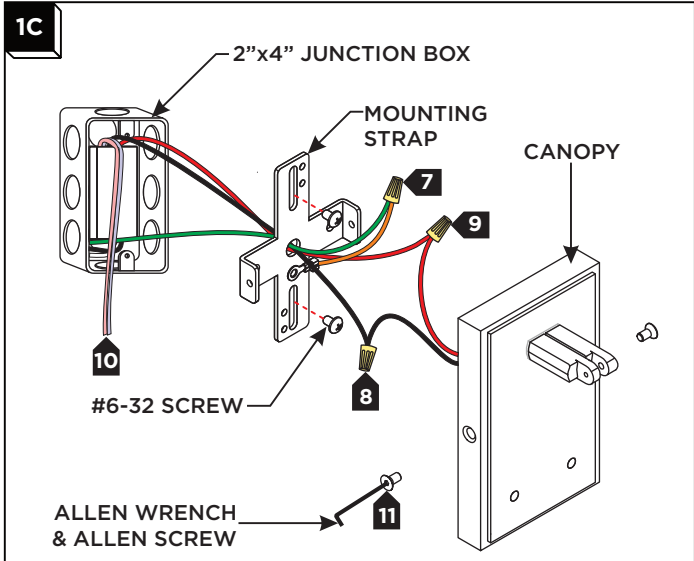
**1** Remove the driver and mounting hardware from the canopy by removing the Allen screws using the provided Allen wrench.



- 2** Connect the white driver wire to the neutral power line with a wire nut.
- 3** Connect the black driver wire to the hot power line with a wire nut.
- 4** Place the driver into the junction box.

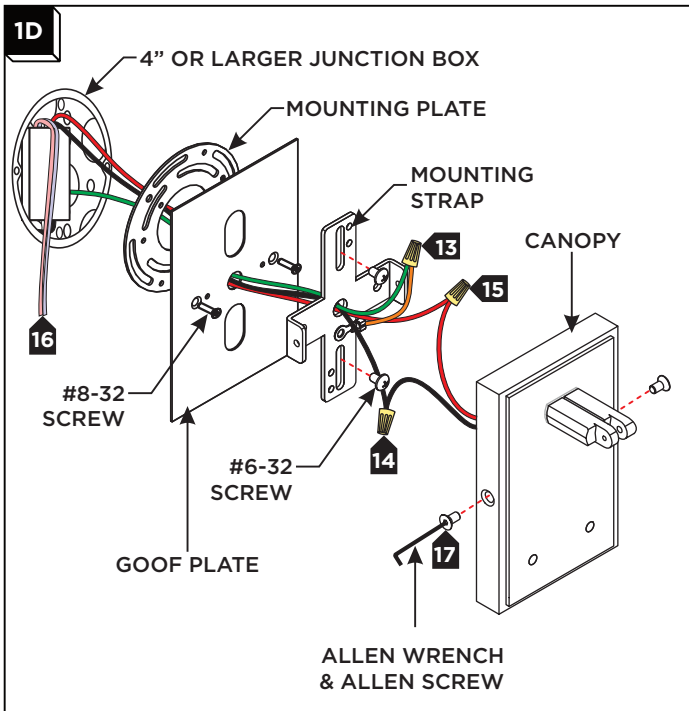
**For 2"x4" junction boxes, go to step 1C.**  
**For junction boxes larger than 2"x4" , skip to step 1D.**

**NOTE:** The goof plate is intended for use with junction boxes larger than 2"x4". The goof plate may still be installed using a 2"x4" junction box for aesthetic purposes.

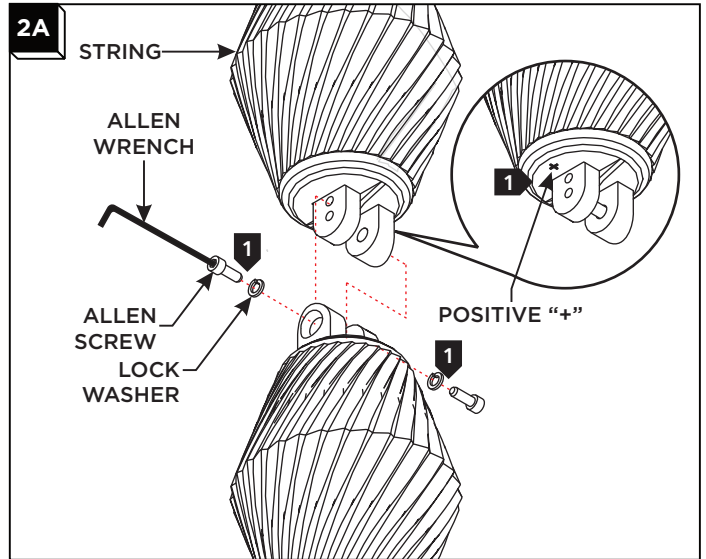


- 5** For junction boxes larger than 2"x4", skip to step 1D.
- 6** Feed the ground and driver output wires through the center of the mounting strap and install it to the 2"x4" junction box with the two 6-32x.75" pan head screws. **NOTE:** If installing the goof plate for aesthetic purposes, install the goof plate along with the mounting strap using the two 6-32x.75".
- 7** Connect the fixture to a suitable ground in accordance with local electrical codes.
- 8** Connect the black/blue driver wire to the black/blue fixture wire with a wire nut.
- 9** Connect the red driver wire to the red fixture wire with a wire nut.
- 10** For 0-10V dimming, use the purple and gray/pink wires to connect to a compatible dimmer. **If not using 0-10V dimming**, make sure to cap off these wires.
- 11** Install the canopy onto the mounting strap with the Allen screws using the provided Allen wrench.

## Install the Strings

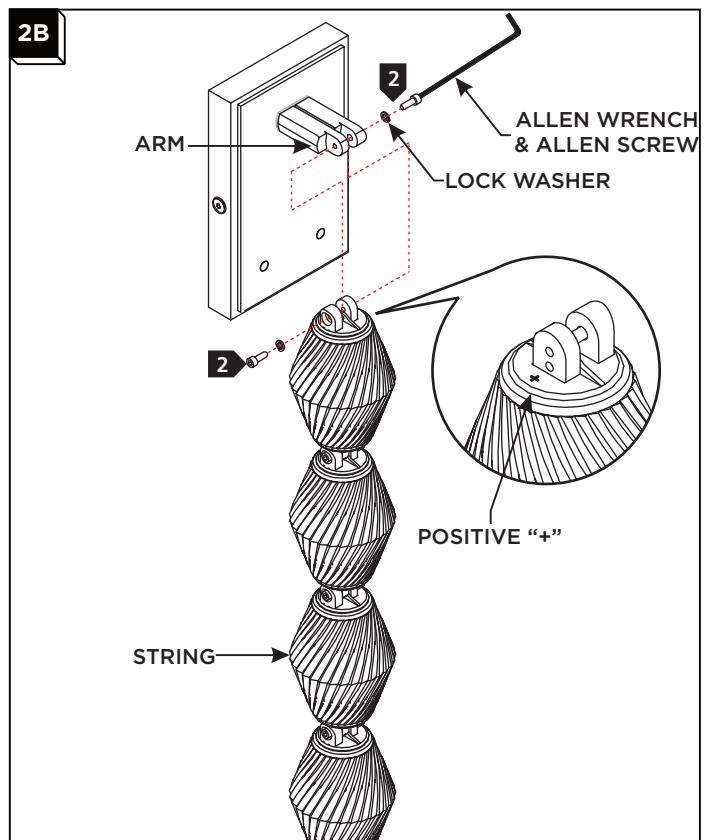


- 11** Feed the ground and driver output wires through the center of the mounting plate and goof plate, then install them to a junction box 4" or greater with the two #8-32" screws ensuring that the threaded holes on the mounting plate are positioned vertical and leveled.
- 12** Feed the ground and driver output wires through the center of the mounting strap, then install it to the goof plate with the two 6-32x.75" pan head screws
- 13** Connect the fixture to a suitable ground in accordance with local electrical codes.
- 14** Connect the black/blue driver wire to the black/blue fixture wire with a wire nut.
- 15** Connect the red driver wire to the red fixture wire with a wire nut.
- 16** **For 0-10V dimming**, use the purple and gray/pink wires to connect to a compatible dimmer. **If not using 0-10V dimming**, make sure to cap off these wires.
- 17** Install the canopy onto the mounting strap with the Allen screws using the provided Allen wrench.



- 1** Connect strings together by using the washers and Allen screws making sure to match the polarity. Tighten the Allen screws until snug. **Only connect up to 2' strings at a time** (8 modules max).

**CAUTION:** Do not hold up more than 2' of string by a single crystal. The weight from the string may damage the end-cap components and cause damage to the string. Handle strings with two hands, and handle like delicate jewelry.

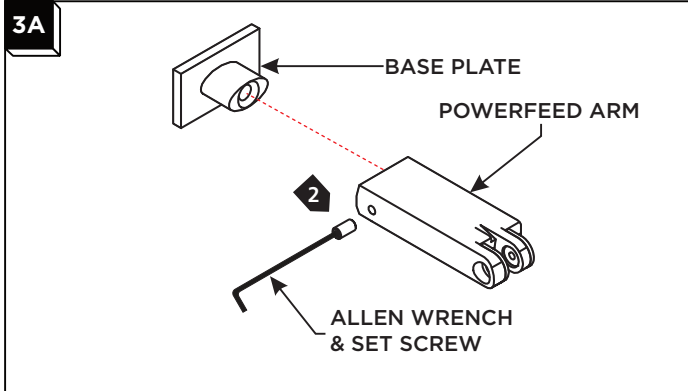


- 2** Connect strings to the arm by using the washers and Allen screws making sure to match the polarity. Tighten the Allen screws until snug.

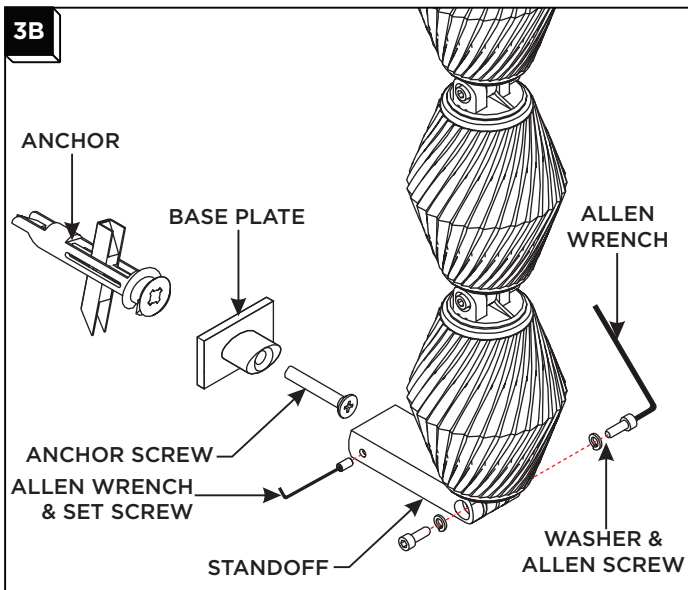
If installing the Stand-off, go to step 3A.

If installing the Finial, go to step 4A.

### Install the Stand-off (Optional)

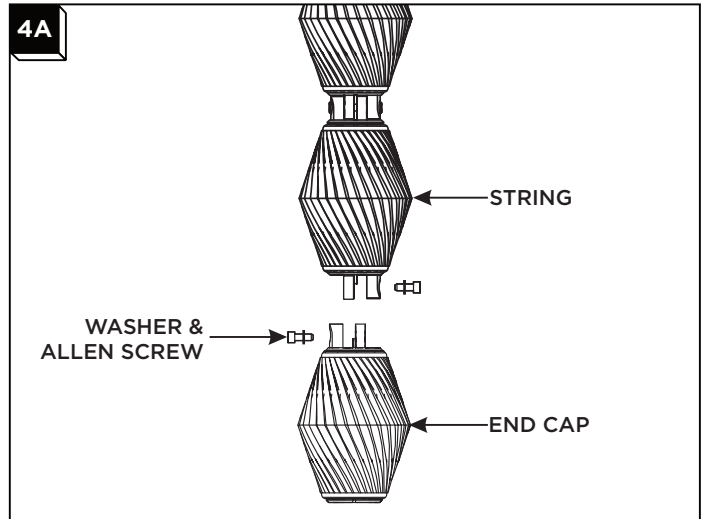


- 1 Disassemble stand-off assembly by unscrewing the set screw on the powerfeed arm using the provided Allen wrench.



- 2 Install stand off to the end of the string using the Allen screws and washers with the provided Allen wrench.
- 3 Measure and mark against wall surface where the base plate locates.
- 4 Install the anchor to a surface at the marked location.
- 5 Install anchor screw to secure standoff base plate to surface.
- 6 Insert standoff to base plate and secure with set-screw using the provided Allen wrench.

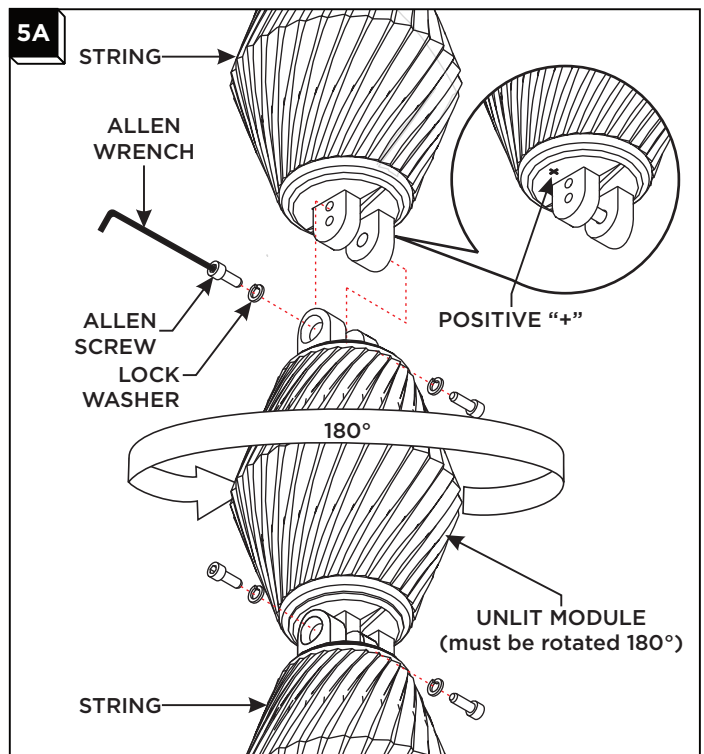
### Install the End Cap (Optional)



- 1 Install the end cap to the end of a string using the washers and Allen screws making sure to match the polarity. Tighten the Allen screws until snug.

**NOTE:** If one or more modules do not light up when powered on, shut off the power and continue to step 5A for troubleshooting.

### Troubleshooting



- 1 Remove the Allen screws and lock washers from the unlit module. Remove the module from the string assembly.
- 2 Turn the previously unlit module 180° (opposite of initial install) and reinstall it to the string assembly using the washers and Allen screws making sure to match the polarity. Tighten the Allen screws until snug.