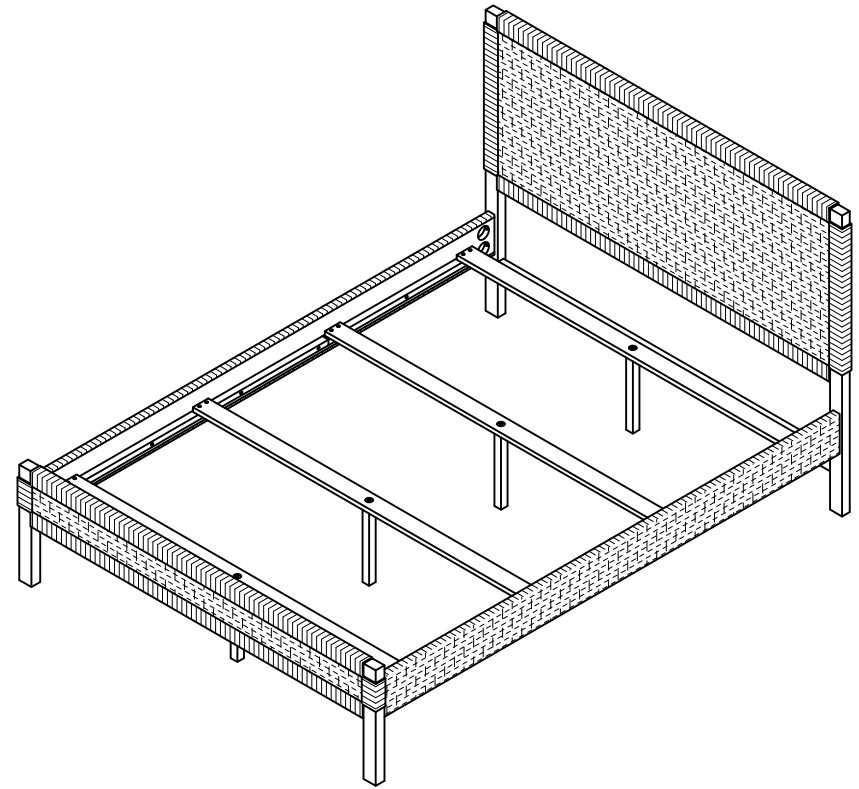


# GALEN WOVEN BANANA STEM QUEEN BED

DESIGN # SFV1300-Q

Assembly Instructions



## Need help?

Feel free to contact us via email or call if you have any specific questions!

## contact us:

[cs@safavieh.com](mailto:cs@safavieh.com)

866-422-9070

**SAFAVIEH**  
C O U T U R E

# Thanks for bringing Safavieh Couture into your home

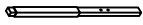
Every thing we make is incredibly simple to set up, including your new queen bed. You won't need any additional tools.

## Parts List

A x 1  
HEADBOARD



B x 1  
LEFT LEG



C x 1  
RIGHT LEG



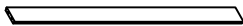
D x 1  
STRETCHER



E x 1  
FOOTBOARD



F x 2  
SIDE RAIL



G x 4  
SLAT



H x 8  
CENTER LEG



## Hardware List

HW1 x 16  
THREADED ROD 5/16"x0.06"x2 3/8"



HW2 x 10  
SQUARE WASHER



HW3 x 6  
FLAT WASHER



HW4 x 16  
HEX NUT



HW5 x 1  
HEX WRENCH



HW6 x 16  
ROUND HEAD SCREW 4x1x25 mm



HW7 x 4  
LARGE DOWEL

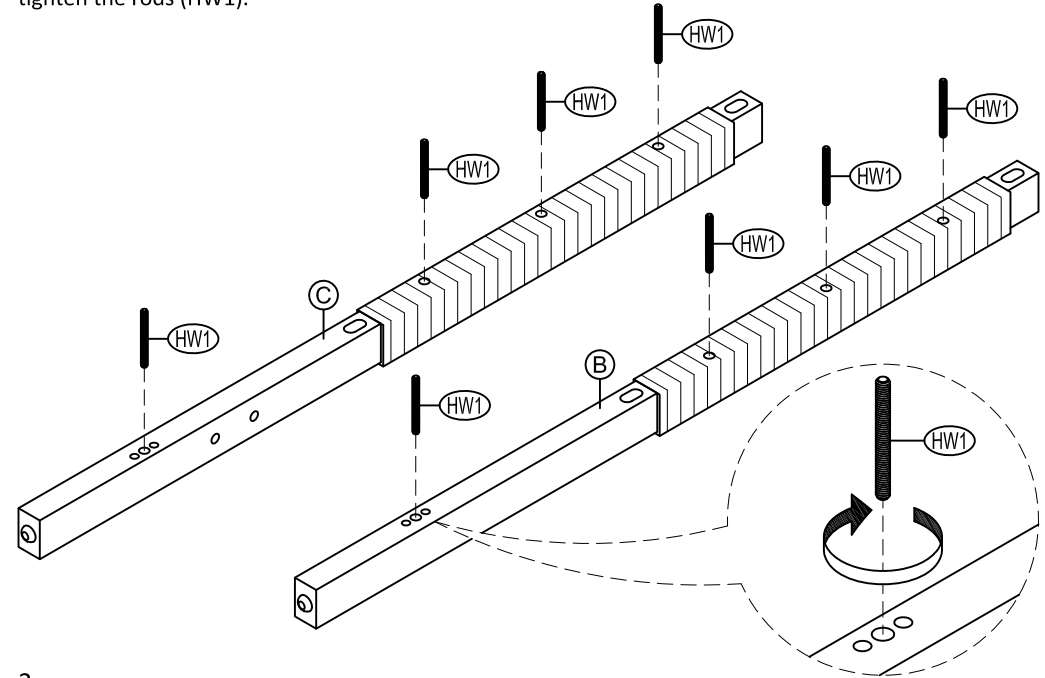


HW8 x 4  
SMALL DOWEL



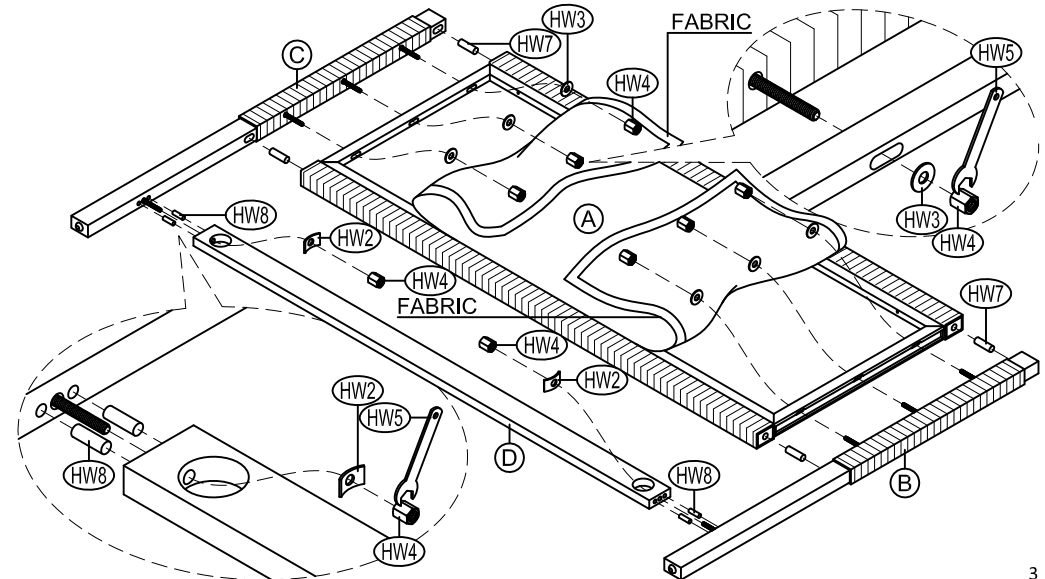
1

Screw in Threaded Rods (HW1) to the Left Headboard Leg and the Right Headboard Leg (B and C). Then tighten the rods (HW1).

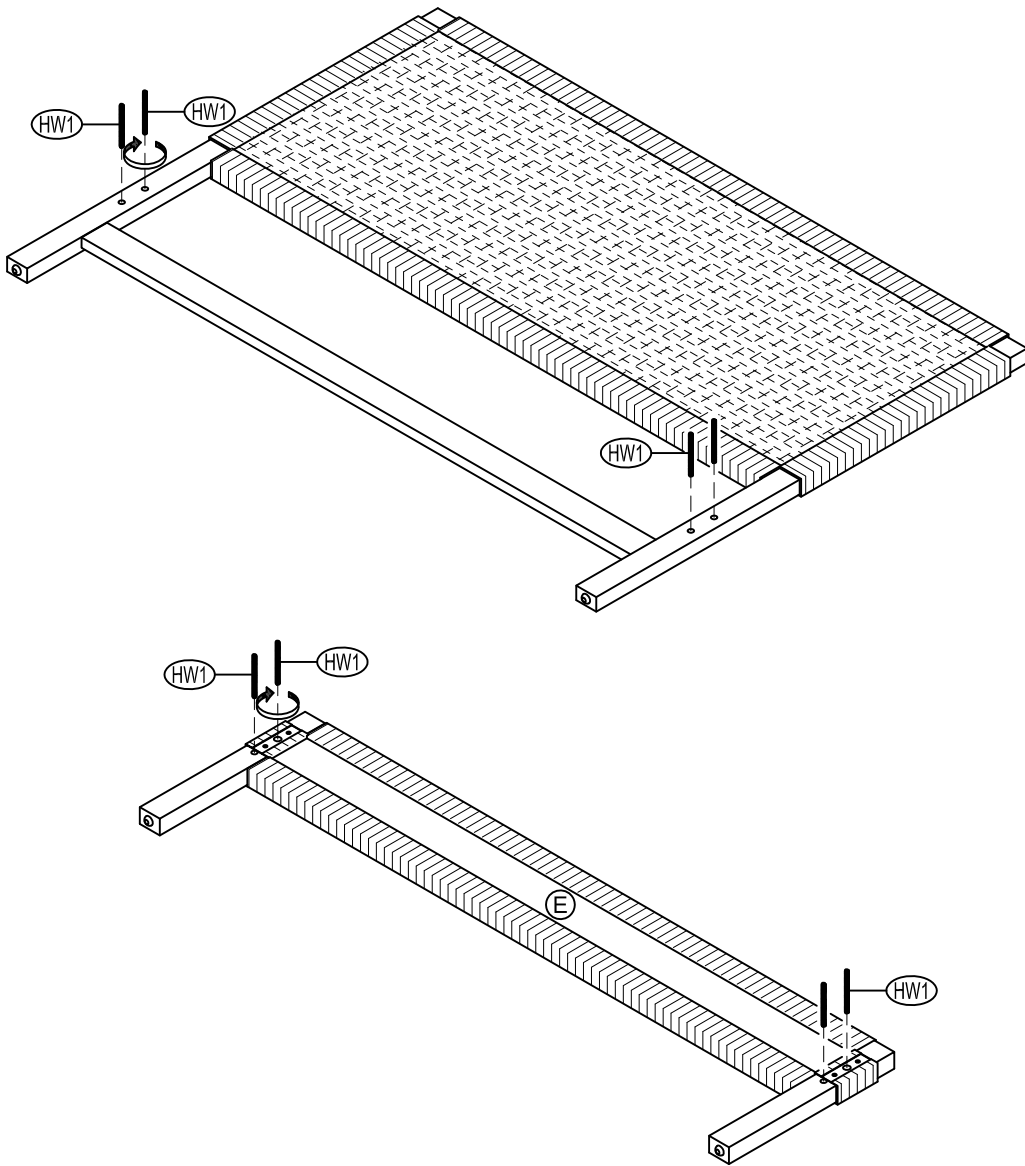


2

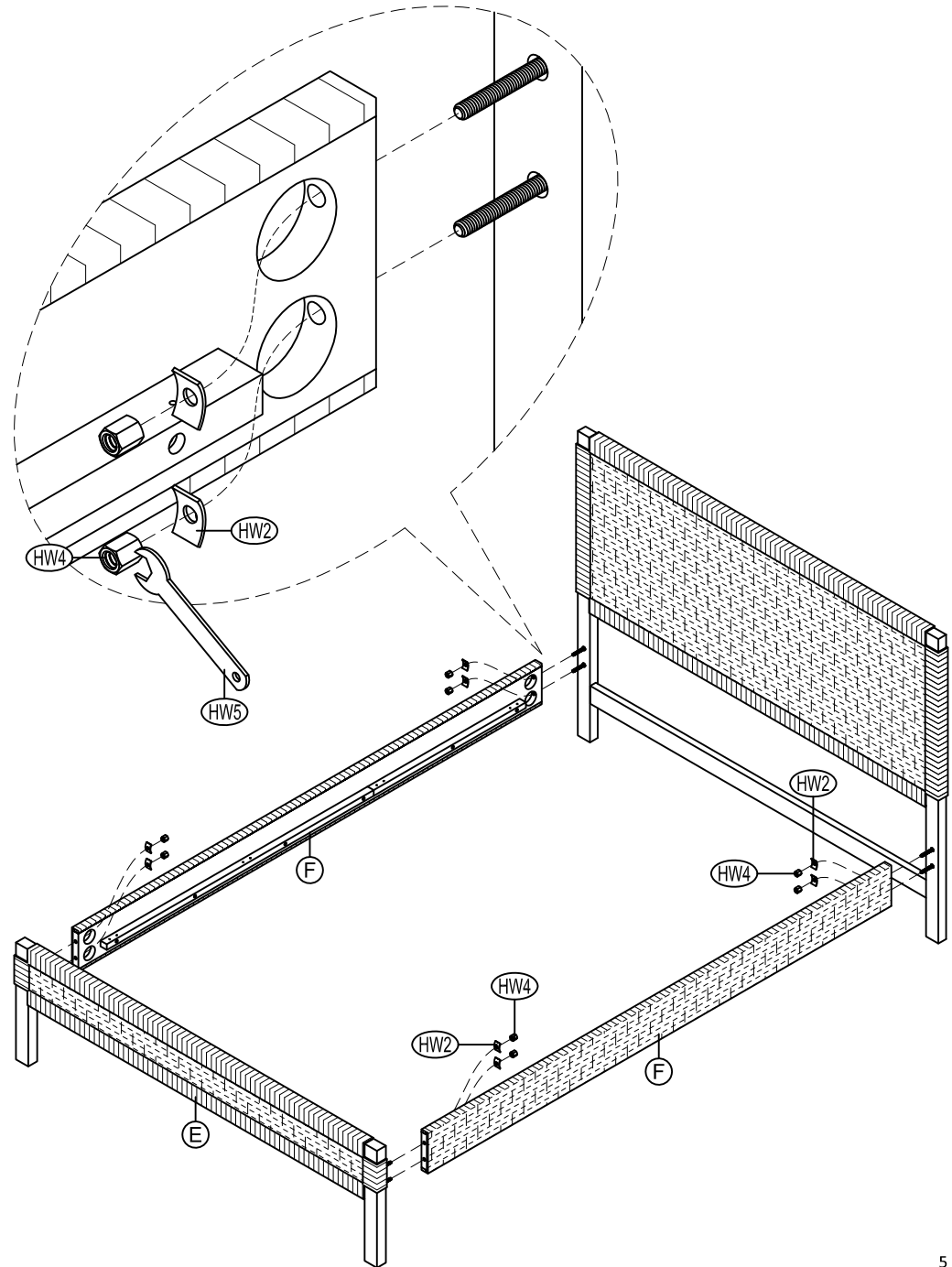
Uncover the fabric on both ends of the back of the Headboard (A). Attach Left and Right Legs (B and C) to the Headboard (A) with the Large Dowels (HW7). Use the Flat Washers (HW3) and Hex Nuts (HW4) to attach the Legs to the Headboard (A). Attach the Stretcher (D) to Left and Right Legs (B and C) with the Small Dowels (HW8), use the Square Washers (HW2) and the Hex Nuts (HW4) to attach the Stretcher (D) to Left and Right Legs (B and C). Tighten the Nuts using the Hex Wrench (HW5). Place the fabric back into place. **Note: Assemble Headboard (A) and Stretcher (D) at the same time.**



Attach Threaded Rods (HW1) to the Headboard legs and Footboard (E). Tighten the rods.

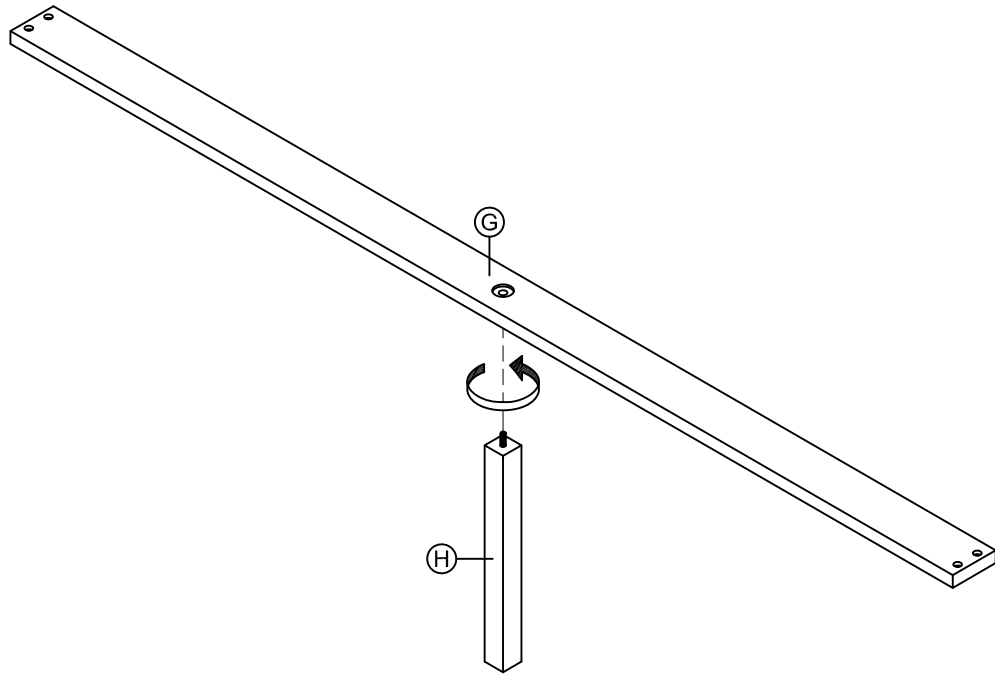


Attach Side Rails (F) to the Headboard and Footboard (E) by using Square Washers (HW2) and Hex Nuts (HW4). Tighten Nuts using the Hex Wrench (HW5).

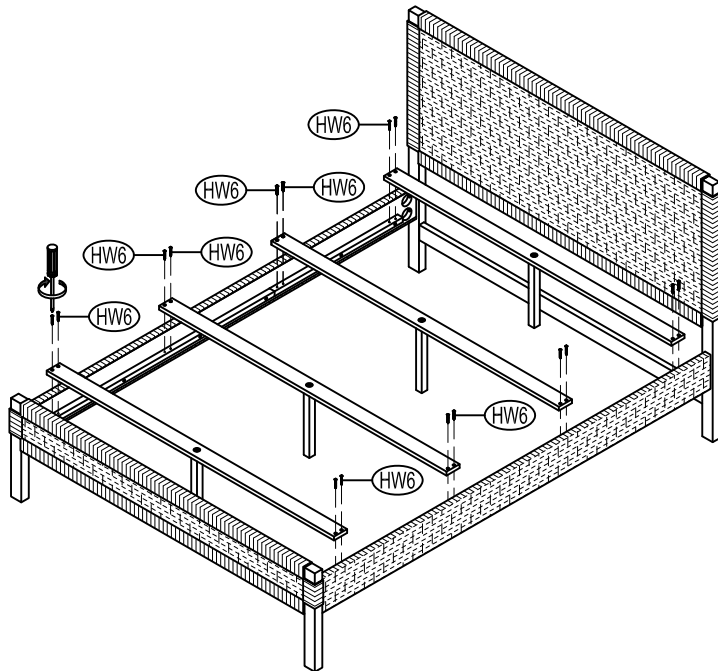


5

Screw in Center Legs (H) to Slats (G).



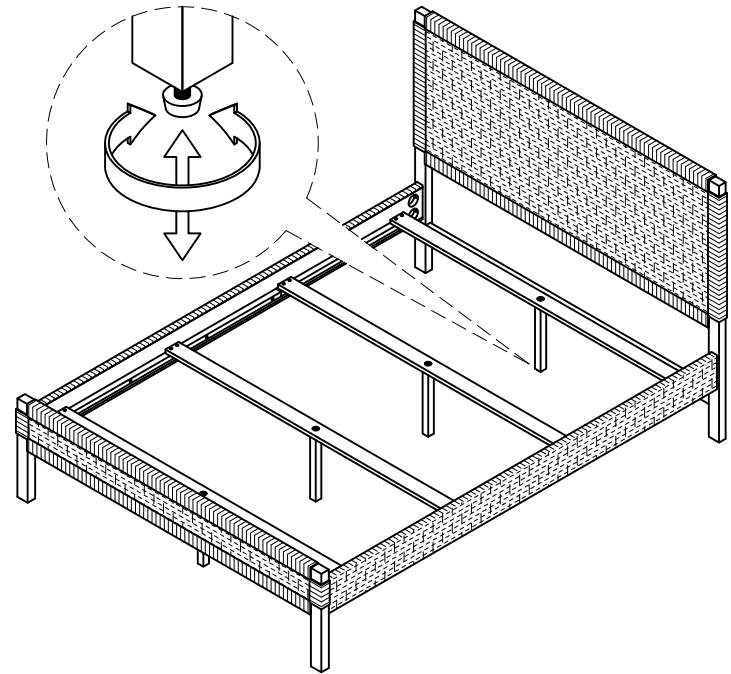
Attach the Slats to the Sideboards by screwing in 1" Round Head Screws (HW6).



6

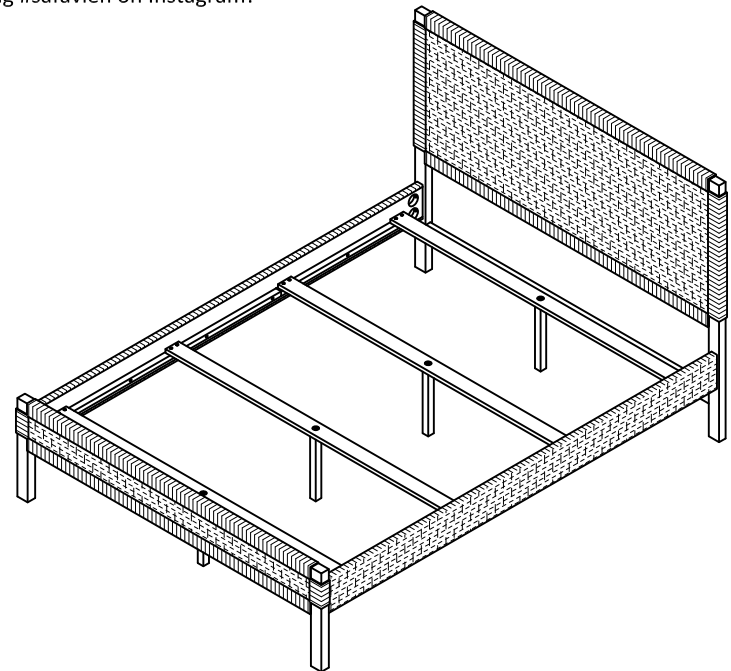
7

Level the bed by adjusting the adjustable levelers on the bottom of the Center Legs.



8

Place the bed in the place where you will use it. We'd love to see it – just tag us (we're @safavieh) and use the hashtag #safavieh on Instagram!



7