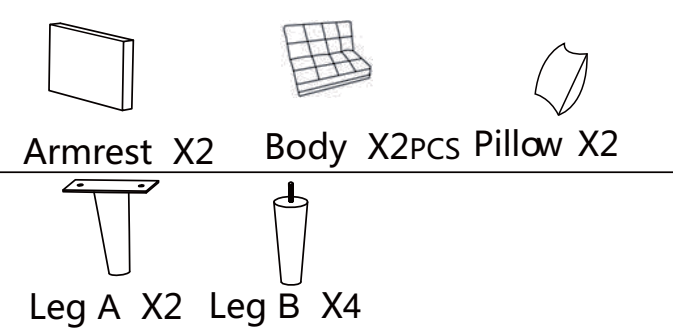


ASSEMBLY INSTRUCTION

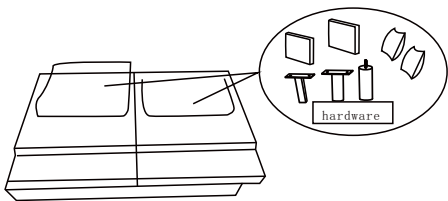
PARTS AND HARDWARE



A		8PCS	G	M6	4PCS
B	M8	8PCS			
C	5#	1PC			
D	M6	4PCS			
E		8PCS			
F		1PC			

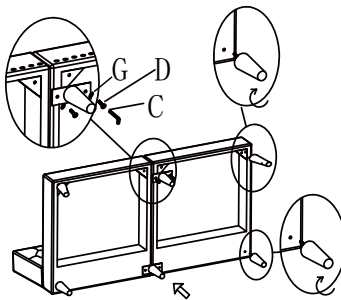
Step1:

Please take out the arms, pillows, legs and hardware from bottom of the sofa



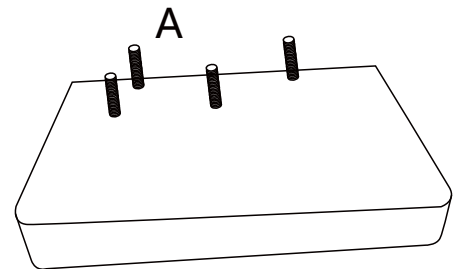
Step2:

Assemble the legs



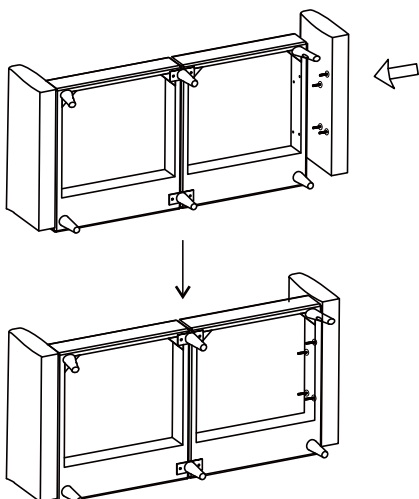
Step3:

Screw into arms about 1cm



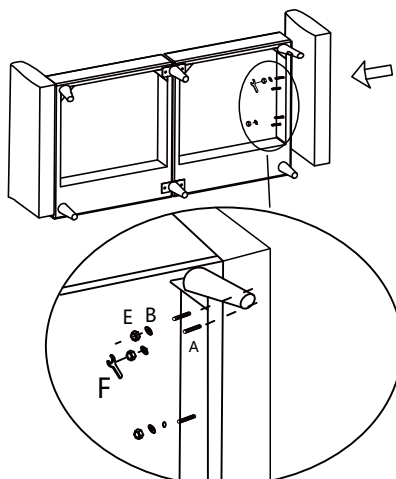
Step4:

Insert the arm with screws into the side of seat frame



Step5:

Put the washers, then tighten the nuts with wrench from inside



Step6:

