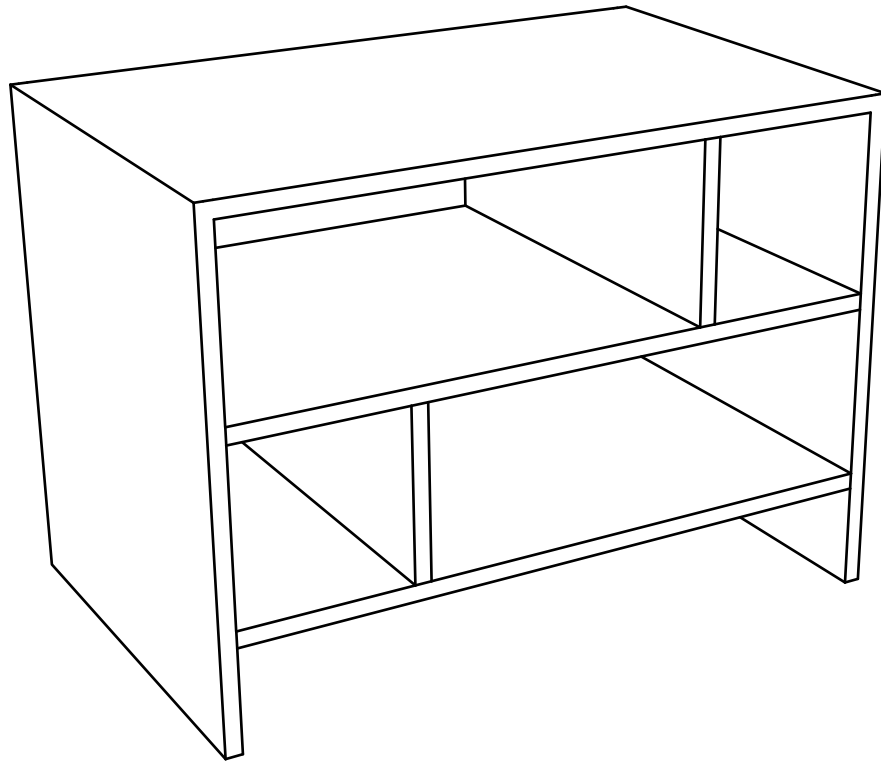


NORTHFIELD BOOKCASE CONSOLE TABLE



ASSEMBLY INSTRUCTIONS

We have designed our furniture with you , the customer in mind. Our clear, easy to follow, step by step instructions will guide you through the project from start to finish. Feel confident that this will be a fun and rewarding project .The final product will be a quality piece of furniture that will go together smoothly and give years of enjoyment.



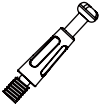
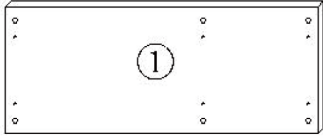
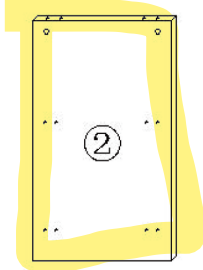
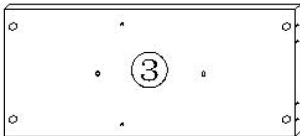
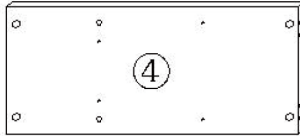





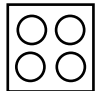


Please do not return to the store
Broken or missing parts?
Need help with assembly?

Our Illinois based customer service team is ready to help with any problems or questions you may have.

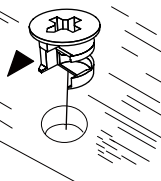
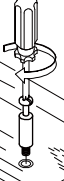
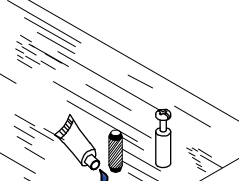
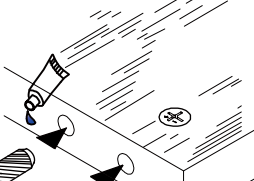
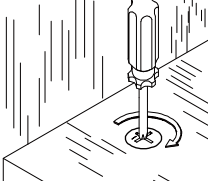
Normal hours of Operation: M-F* 8am-4pm CST.

*Excludes Holidays

This product's warranty is only valid through authorized dealers.

Hardware List	Panel List
<p>Ⓐ </p>	 <p>Top panel (1pc)</p>  <p>side panel (2pc) x1</p>  <p>Bottom panel (1pc)</p>  <p>middle panel (1pc)</p>  <p>Divider panel (2pcs)</p>  <p>Bottom support panel (1pc)</p>
<p>Cambolt (18pcs)</p>	
<p>Ⓑ </p>	
<p>Wood dowel (20pcs)</p>	
<p>Ⓒ </p>	
<p>Allen Bolt (4pcs)</p>	
<p>Ⓓ </p>	
<p>Glue (1pc)</p>	
<p>Ⓔ </p>	
<p>Sticker (18pcs)</p>	
<p>Ⓕ </p>	
<p>Allen wrench (1pc)</p>	
<p>Ⓖ </p>	
<p>Camlock (18pcs)</p>	

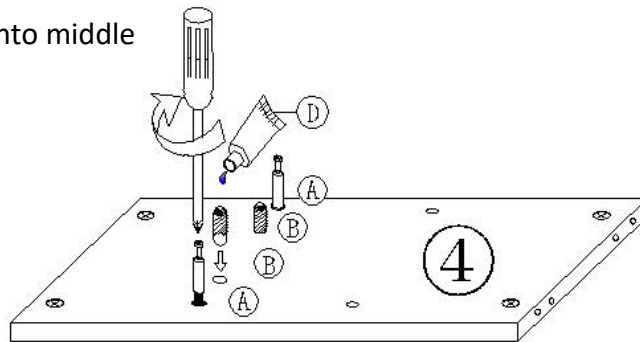
Assembling the unit with camlocks and wood dowels.

				
<p>Insert camlock, camlock must face bolt hole</p>	<p>Gently screw cambolt into the threaded anchor</p>	<p>Lightly glue one end of wood dowel and tap into hole.</p>	<p>Lightly glue dowel and connect to second panel by inserting cambolt into holes</p>	<p>Gently screw the cam clockwise into locked position. Do not overtighten.</p>

Step 1

Assemble unit on carpet or another soft surface

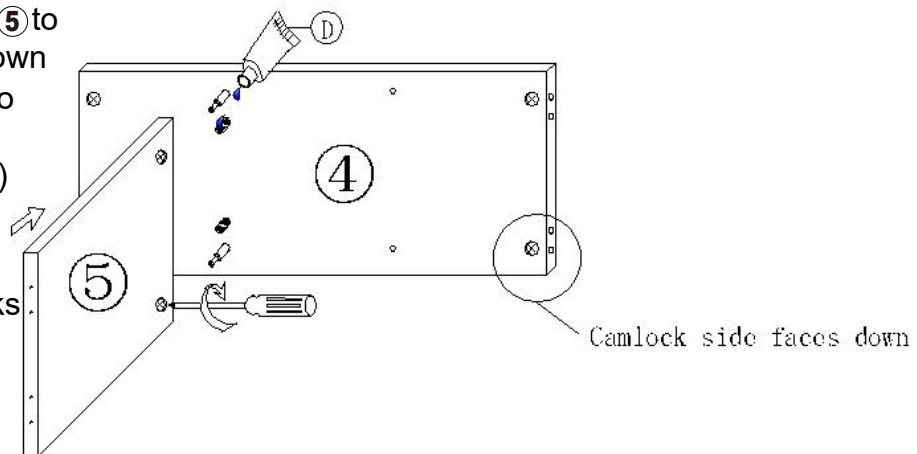
- 1.Screw cambolts (A) into middle panel ④ .
- 2.Insert wooden dowels (B) into middle panel ④ as shown.



* Refer to page 2 for dowel assembly

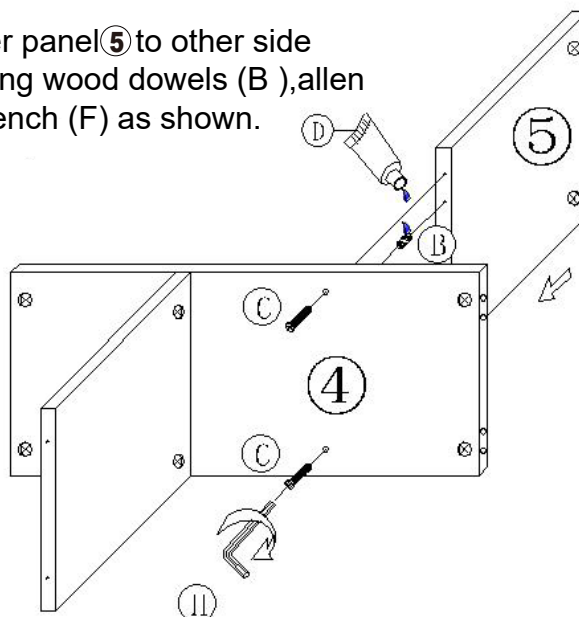
Step 2

- 1.Connect divider panel ⑤ to middle panel ④ as shown
- 2.Insert camlocks (G) into divider panel ⑤ with arrows on camlocks (G) facing towards middle panel ④ .
- 3.Gently tighten camlocks (G).



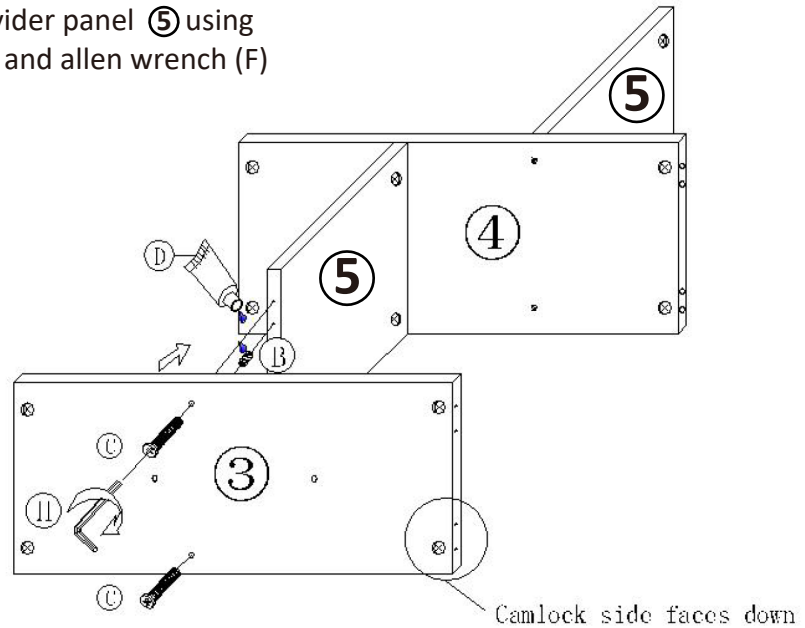
Step 3

- 1.Connect second divider panel ⑤ to other side of middle panel ④ using wood dowels (B),allen bolts (C) and allen wrench (F) as shown.



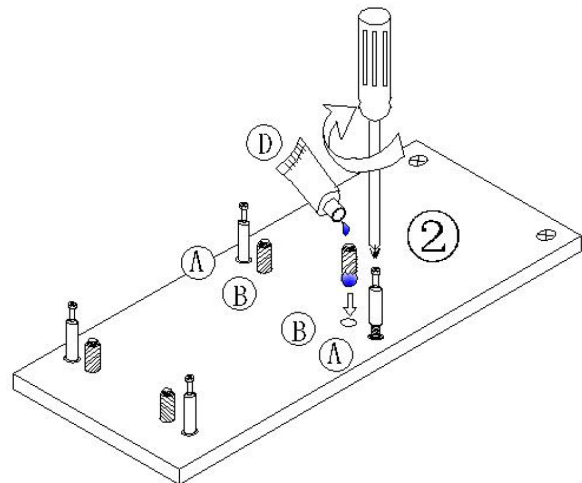
Step 4

1. Connect bottom panel ③ to divider panel ⑤ using wood dowels (B), allen bolts (C) and allen wrench (F) as shown.



Step 5

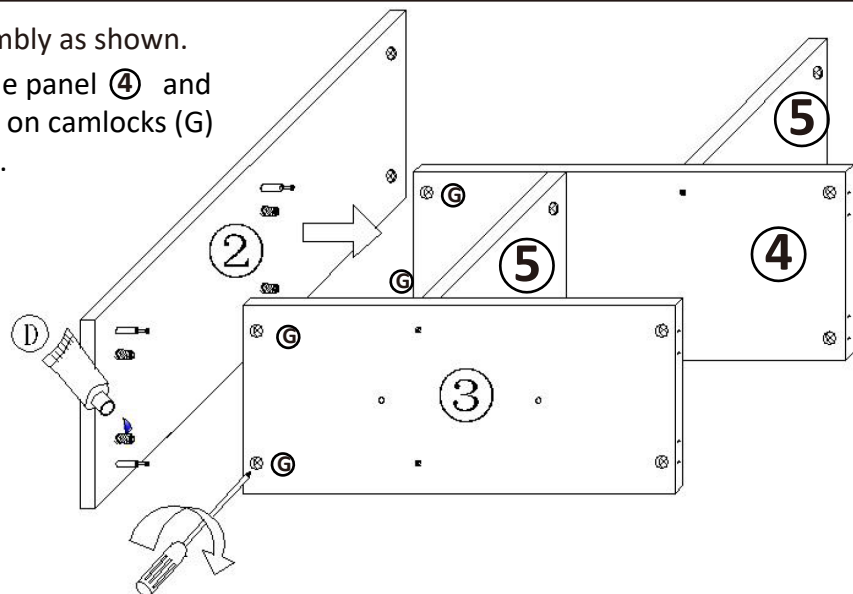
1. Screw cambolts (A) into side panel ② .
2. Insert wood dowels (B) into side panel ②



*Refer to page 2 for dowel assembly

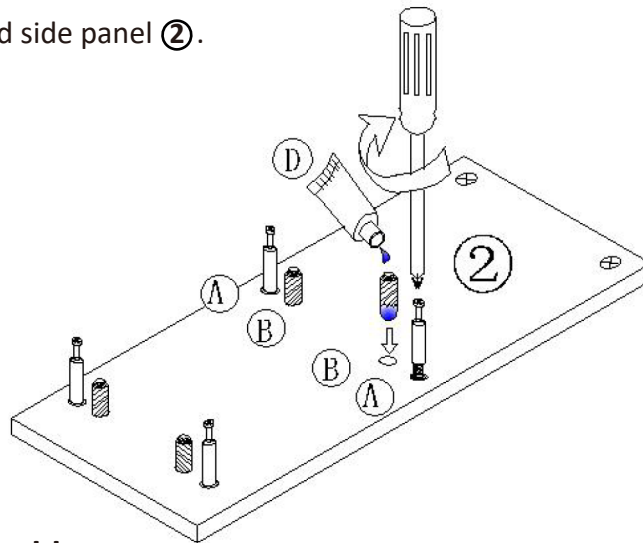
Step 6

1. Connect side panel ② to assembly as shown.
2. Insert camlocks (G) into middle panel ④ and bottom panel ③ with arrows on camlocks (G) facing towards side panel ② .
3. Gently tighten camlocks (G).



Step 7

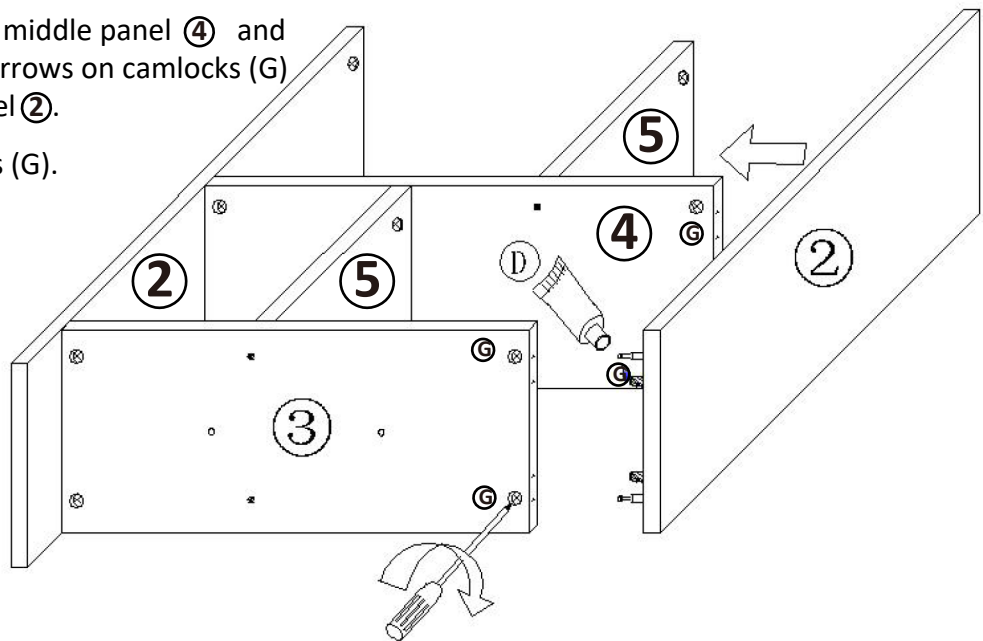
1. Screw cambolts (A) into second side panel ②.
2. Insert wood dowels (B) into second side panel ②.



*Refer to page 2 for dowel assembly

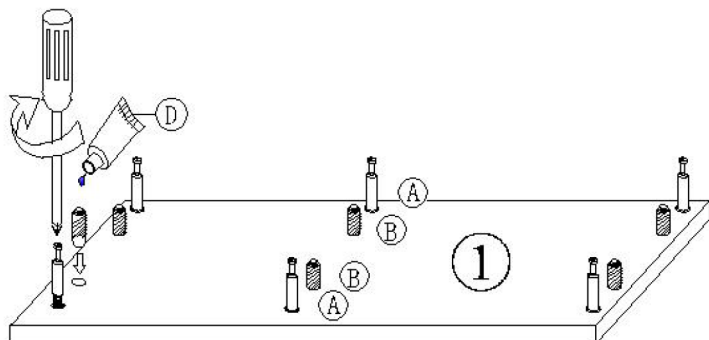
Step 8

1. Connect side panel ② to assembly as shown.
2. Insert camlocks (G) into middle panel ④ and bottom panel ③ with arrows on camlocks (G) facing towards side panel ②.
3. Gently tighten camlocks (G).



Step 9

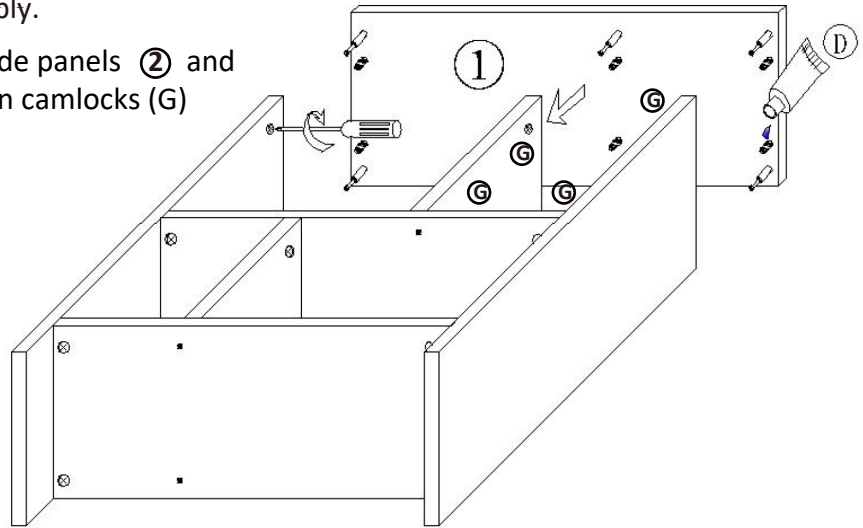
1. Screw cambolts (A) into top panel ①.
2. Insert dowels (B) into top panel ①.



*Refer to page 2 for dowel assembly

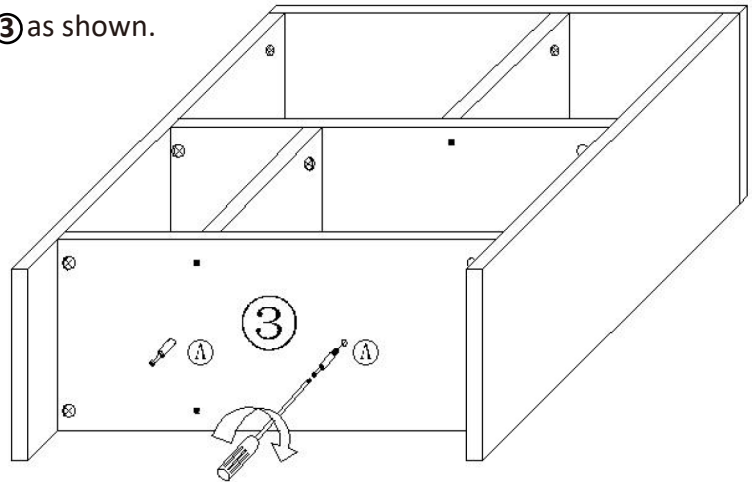
Step 10

1. Connect top panel ① to assembly.
2. Insert camlocks (G) into both side panels ② and divider panel ⑤ with arrows on camlocks (G) facing towards top panel ①.
3. Gently tighten camlocks (G).



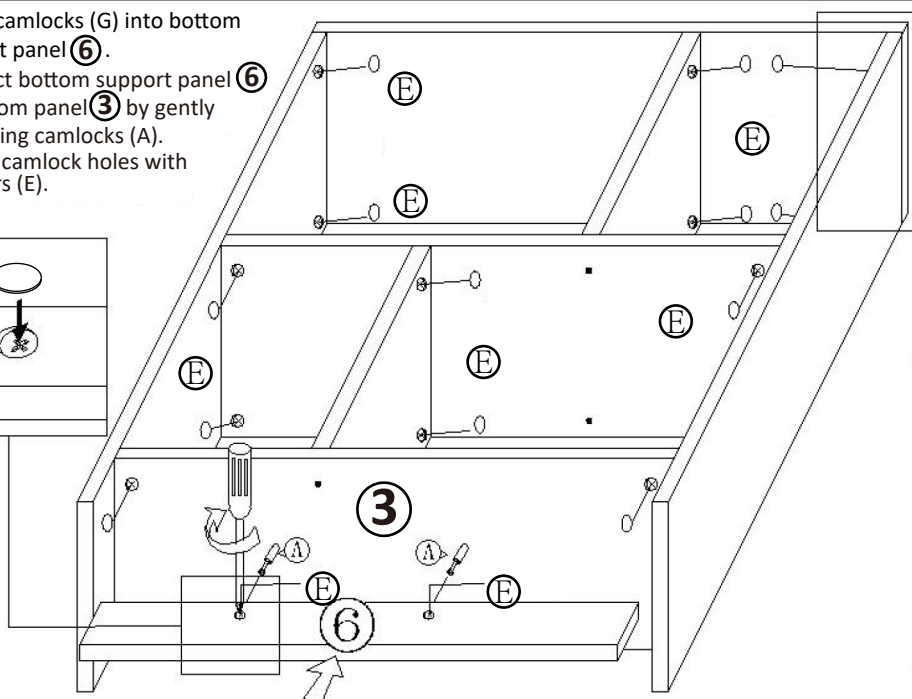
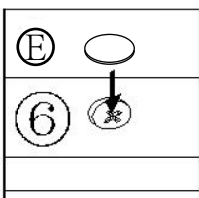
Step 11

1. Screw cambolts (A) into bottom panel ③ as shown.



Step 12

1. Insert camlocks (G) into bottom support panel ⑥.
2. Connect bottom support panel ⑥ to bottom panel ③ by gently tightening camlocks (A).
3. Cover camlock holes with stickers (E).
4. Enjoy !



Put the stickers on the cam holes

