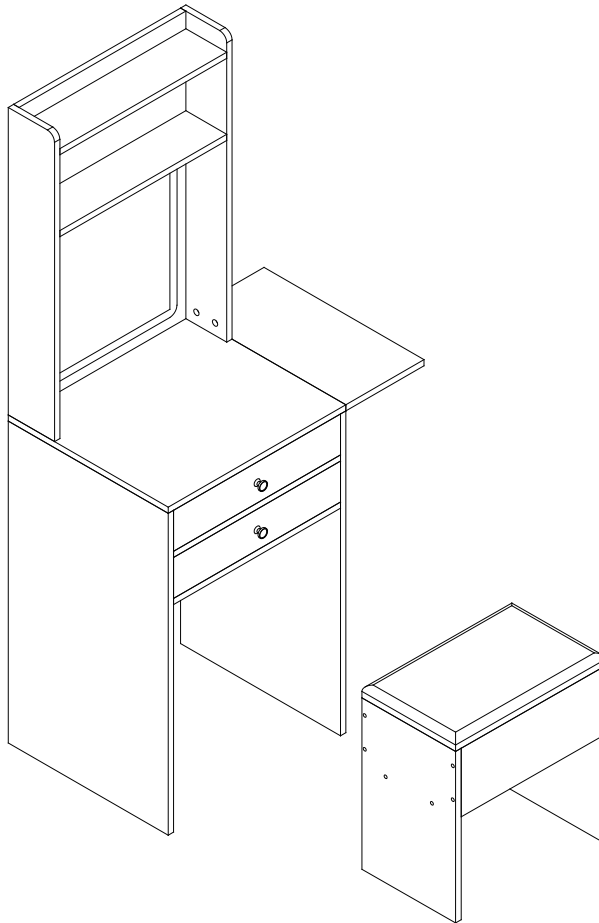


Vanity Table

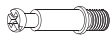
D50

INSTALLATION MANUAL



**Thank you for purchasing the goods in our store this time
Please read this manual carefully before using it
Please keep this manual properly**

HARDWARE



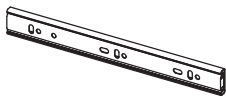
A	SCREW & PLASTIC LOCK	x42
---	----------------------	-----



B	SCREW & METAL LOCK	x42
---	--------------------	-----



C	SCREW	x36
---	-------	-----



D	RAIL	x12
---	------	-----



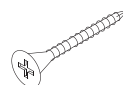
E	HANDLE	x2
---	--------	----



F	L PLATE	x2
---	---------	----



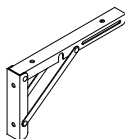
G	SHAKE HANDS	x4
---	-------------	----



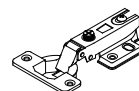
J	SCREW	x12
---	-------	-----



K	SCREW	x12
---	-------	-----



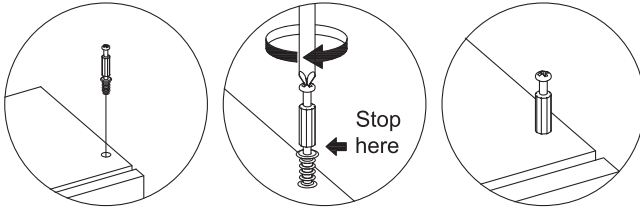
M		x2
---	--	----



N	HINGE	x2
---	-------	----

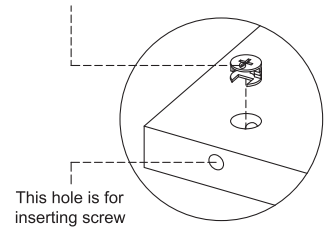
1. Screw installation method

When the screw is installed, please keep it in line with the board, and do not tighten it too tightly

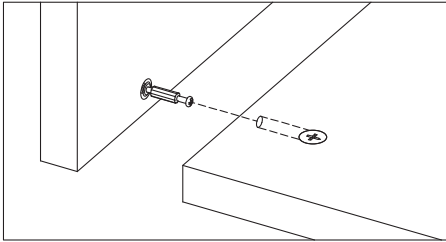


2. Check the Nut direction

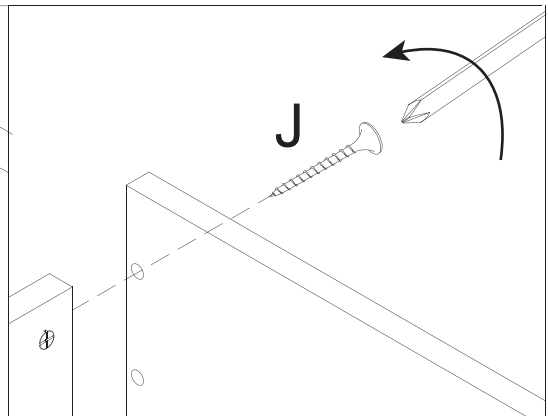
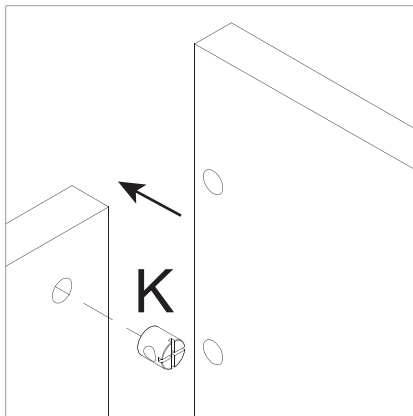
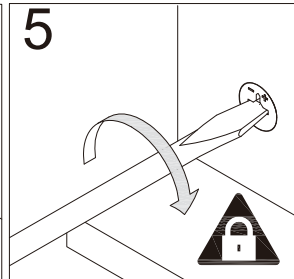
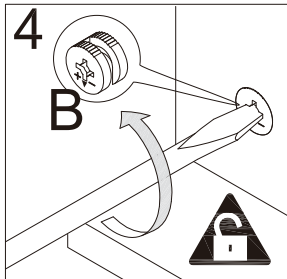
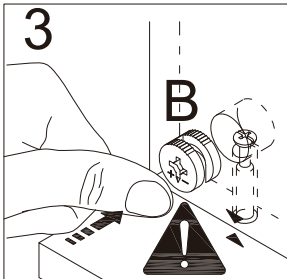
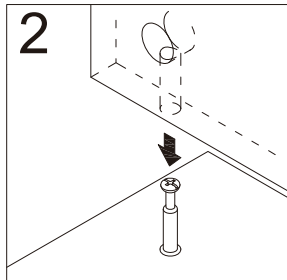
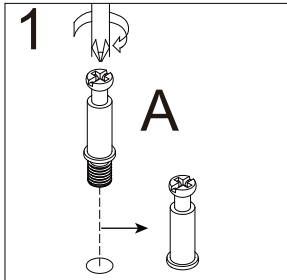
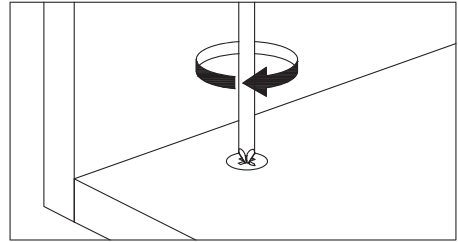
This direction of the marked nut is consistent with the direction in which the screw is inserted



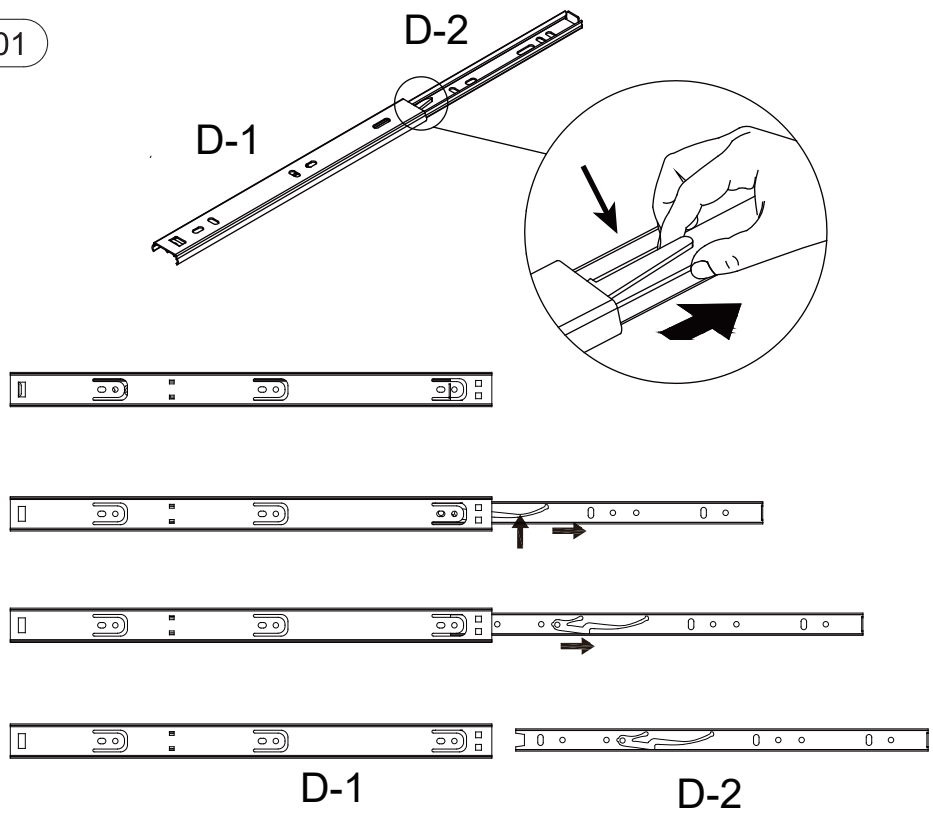
3. Installation on the board with fixing screws



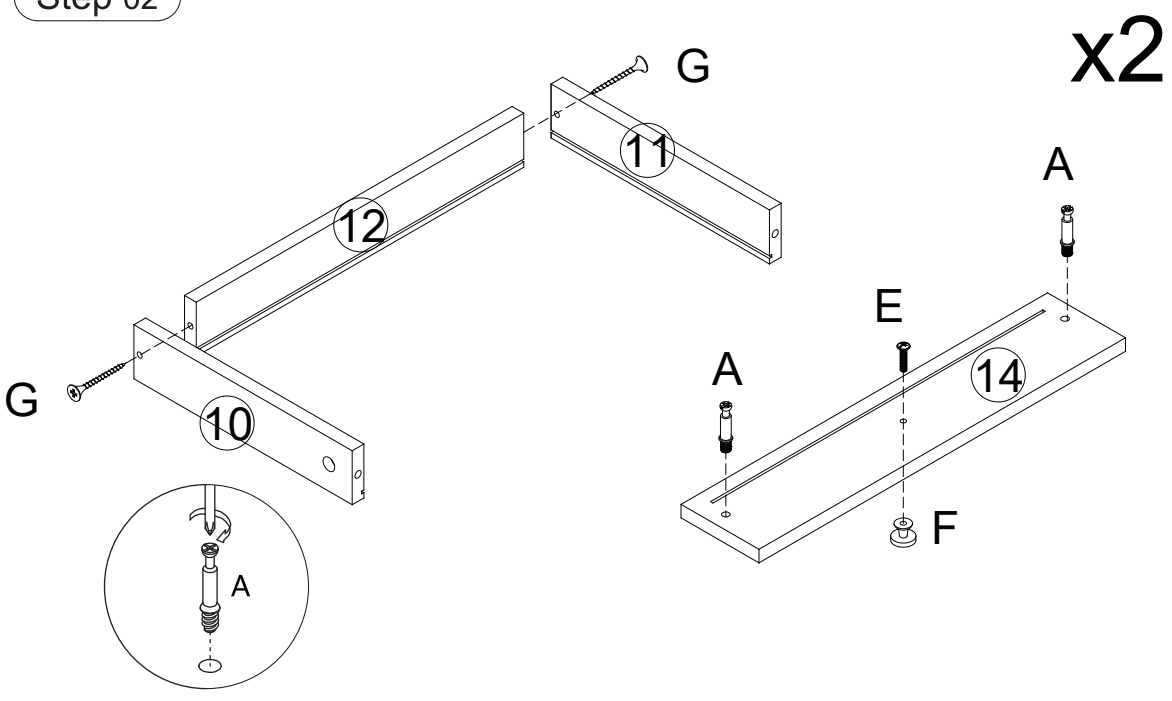
3. Rotate slowly until it stops



Step 01

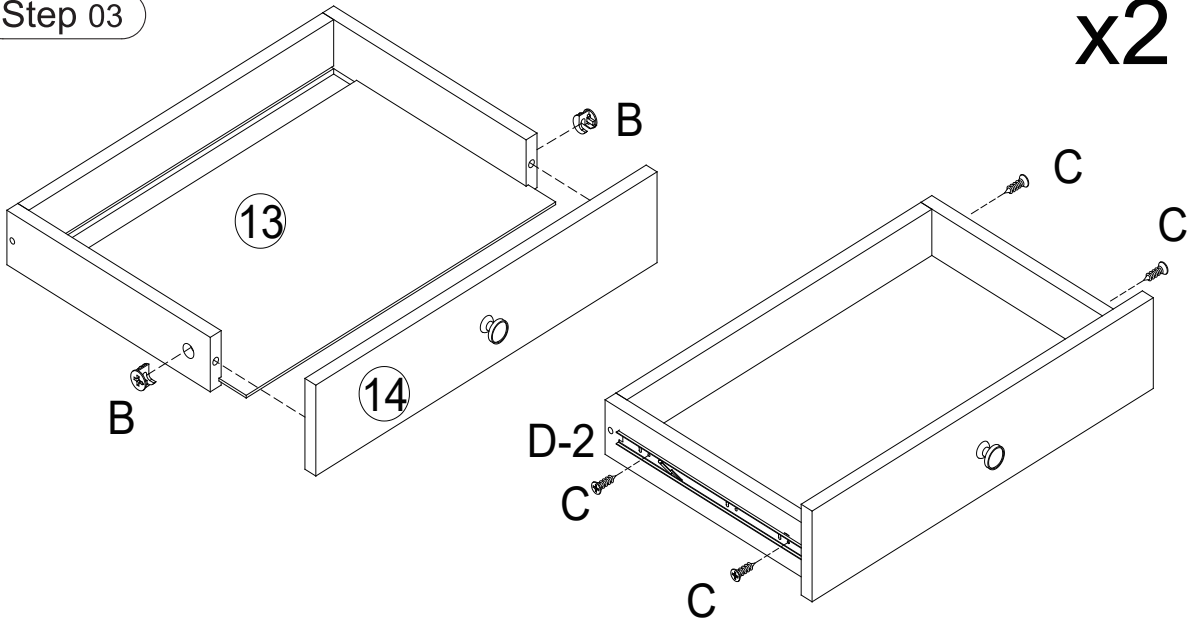


Step 02

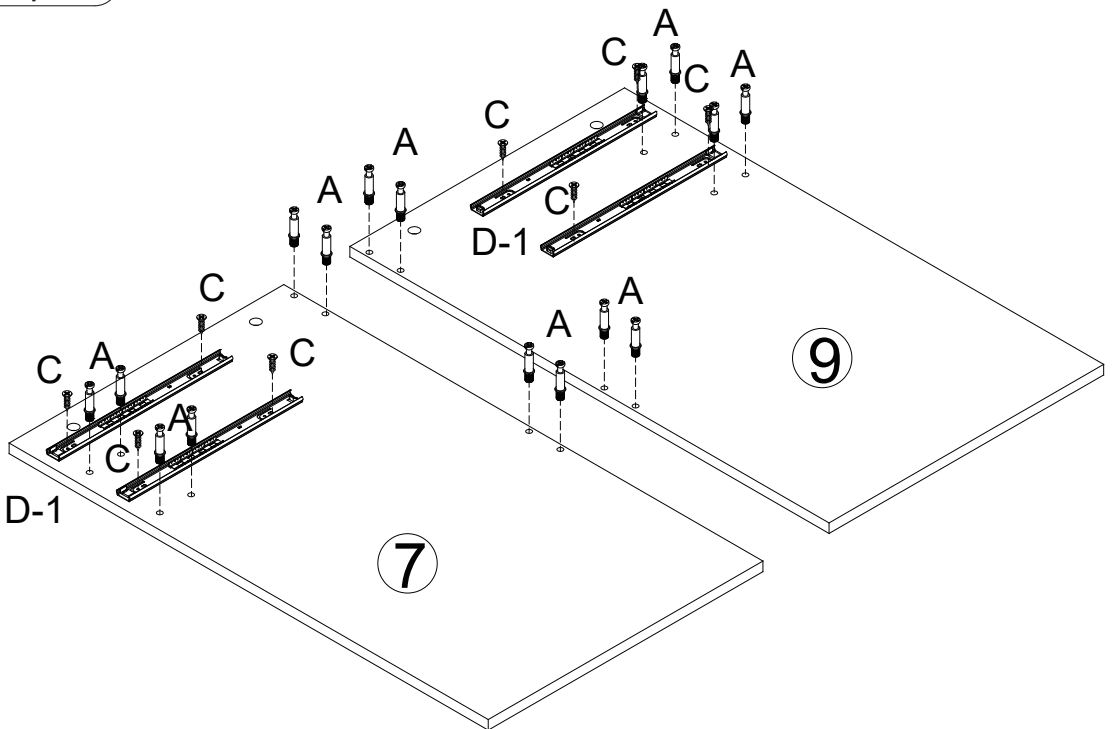


Step 03

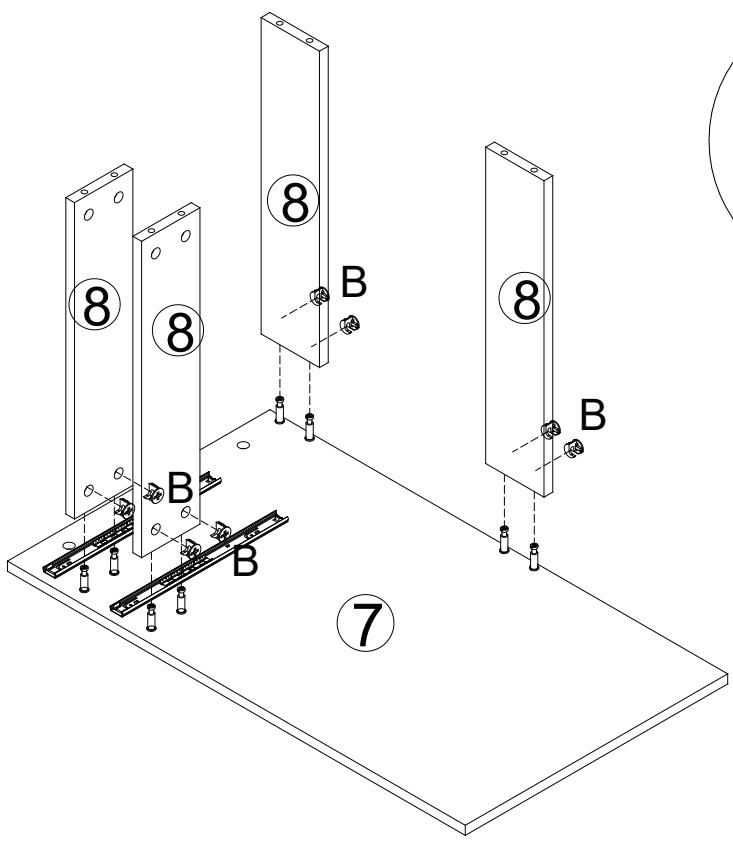
x2



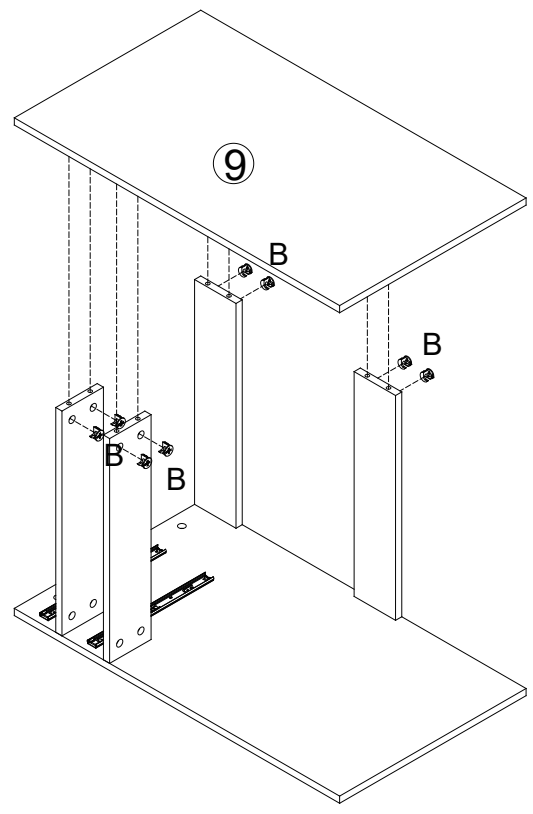
Step 04



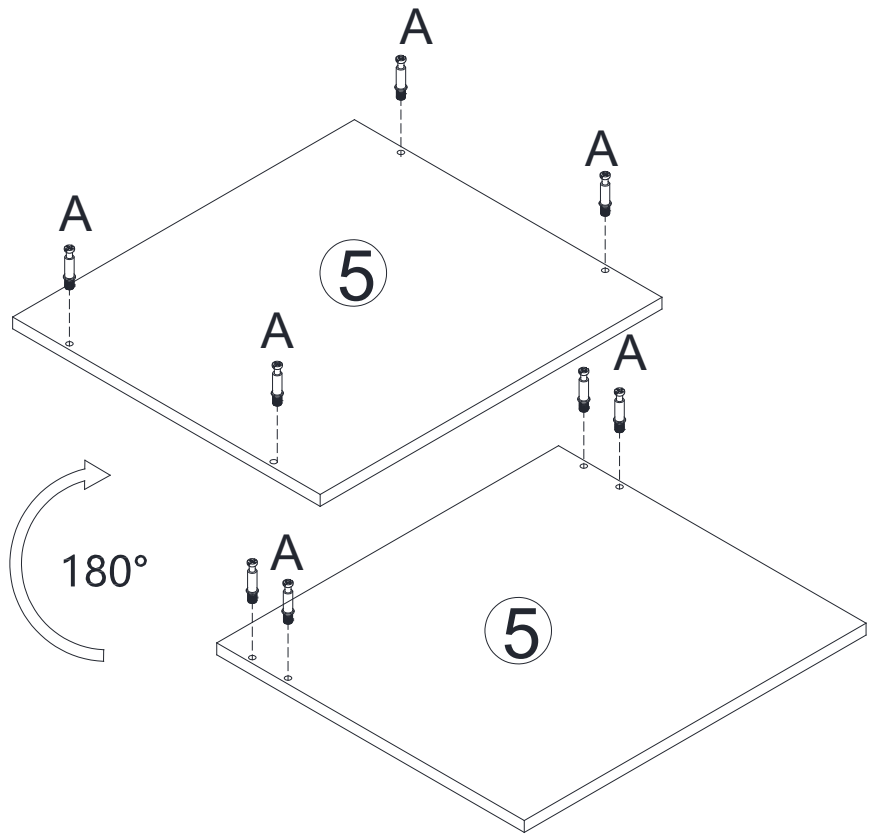
Step 05



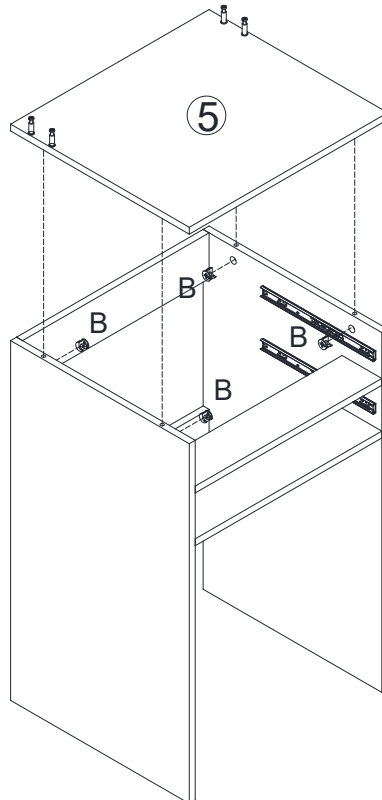
Step 06



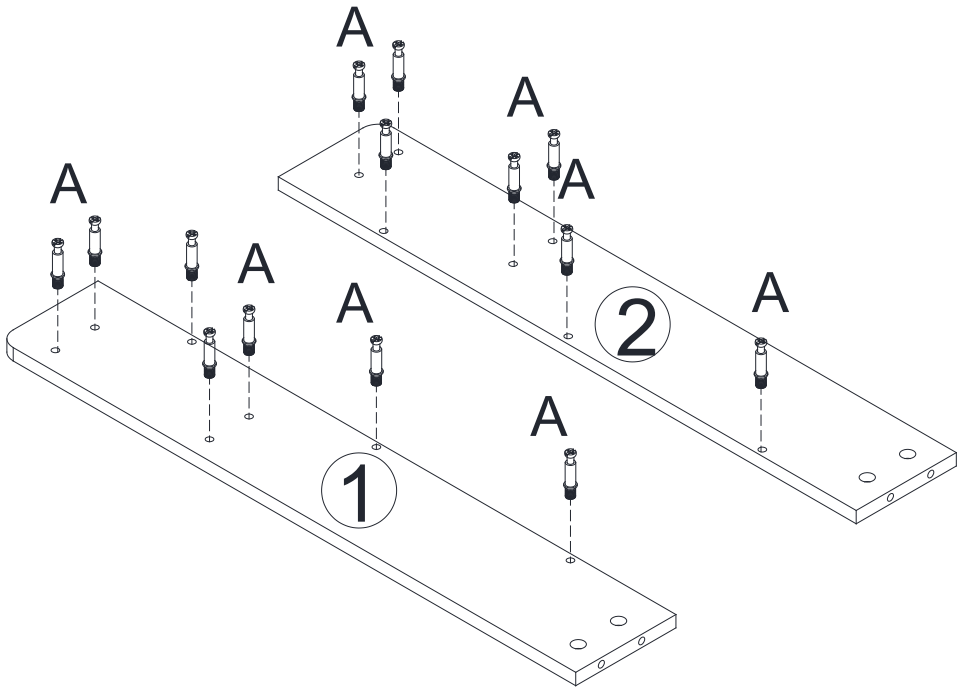
Step 07



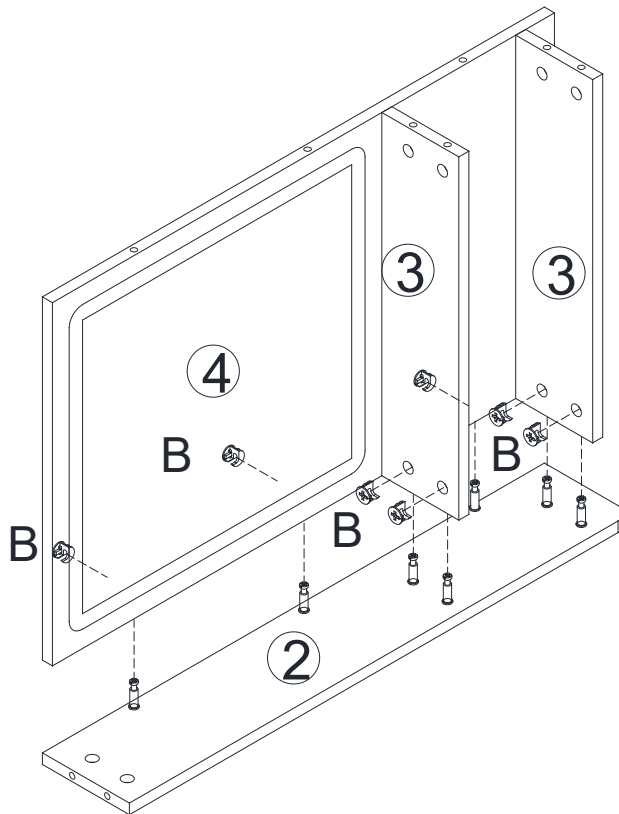
Step 08



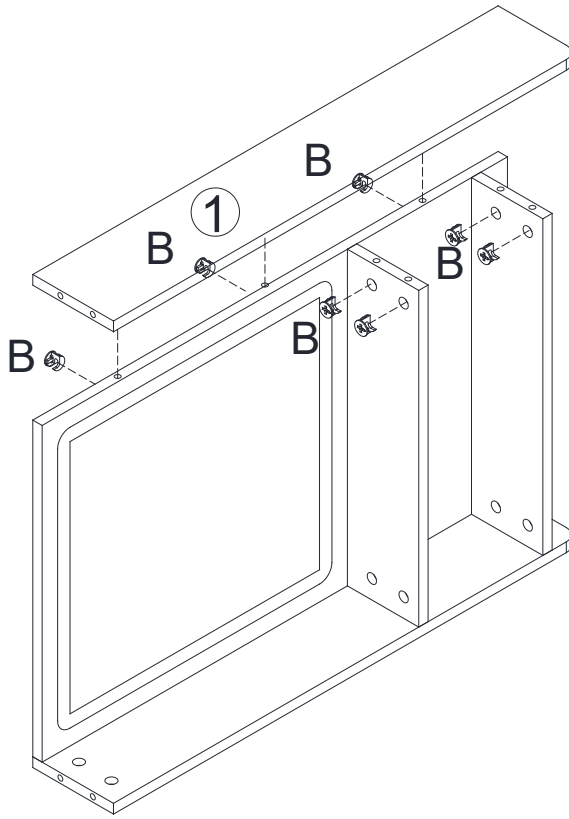
Step 09



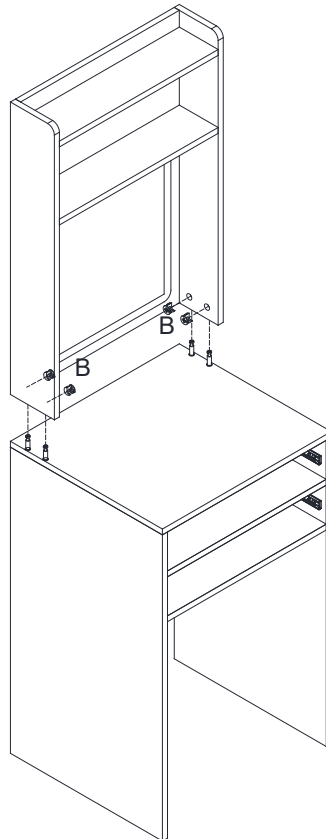
Step 10



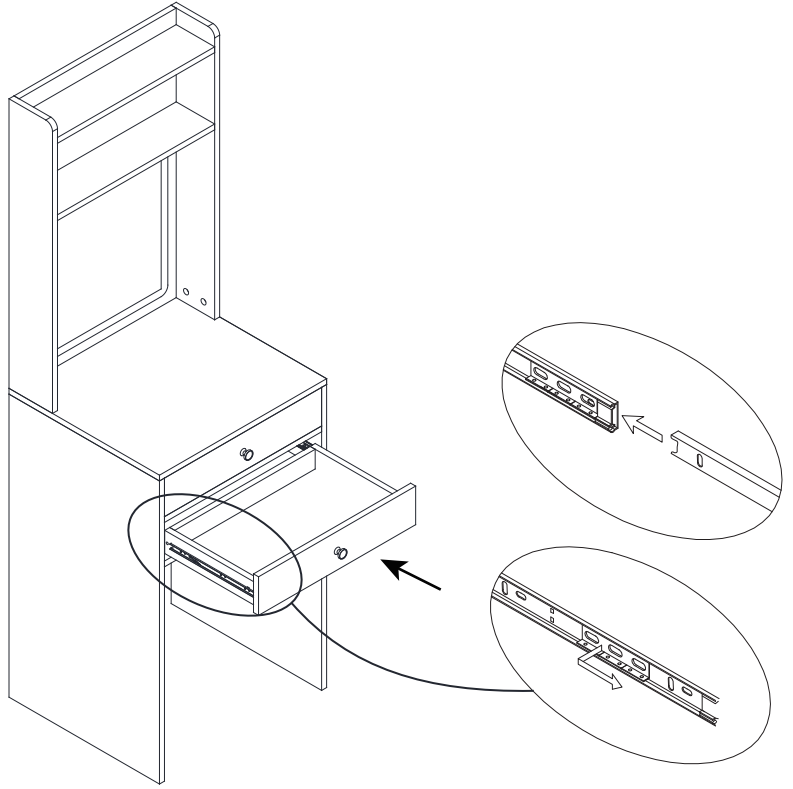
Step 11



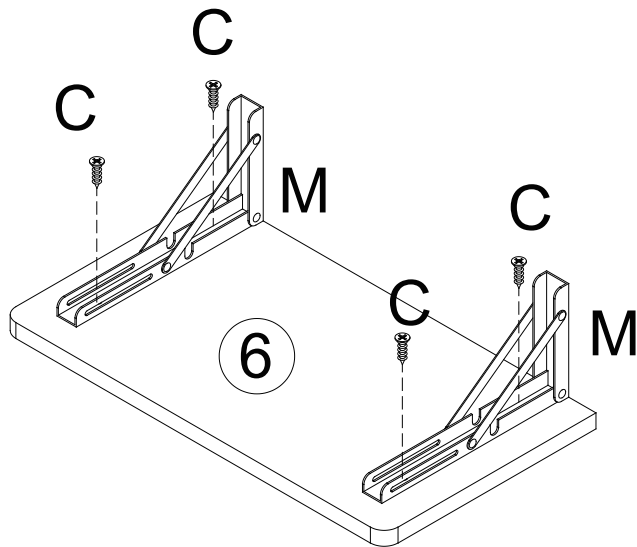
Step 12



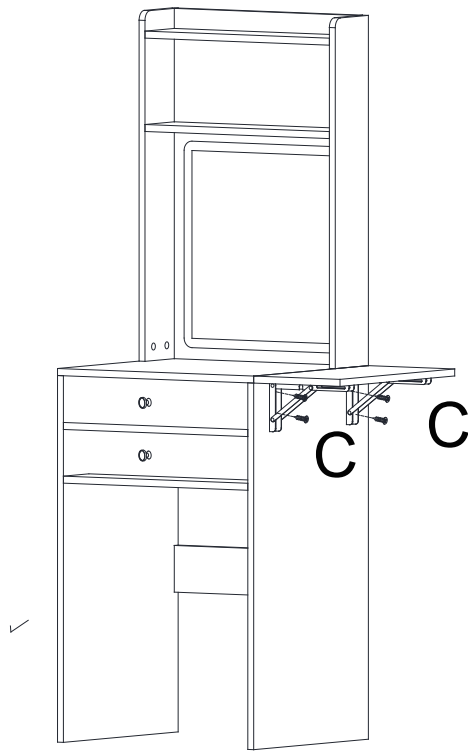
Step 13



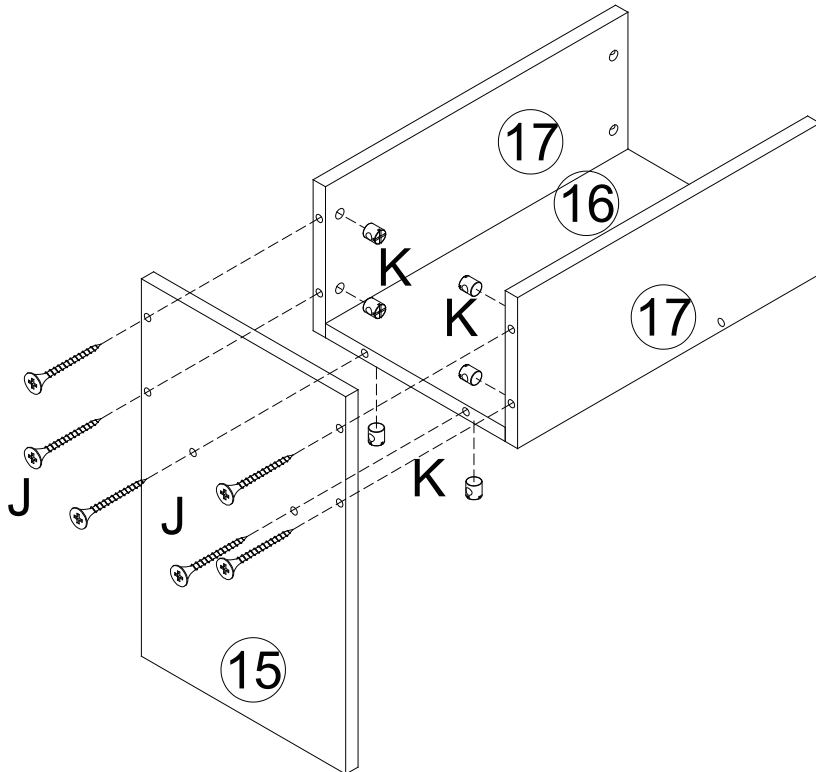
Step 14



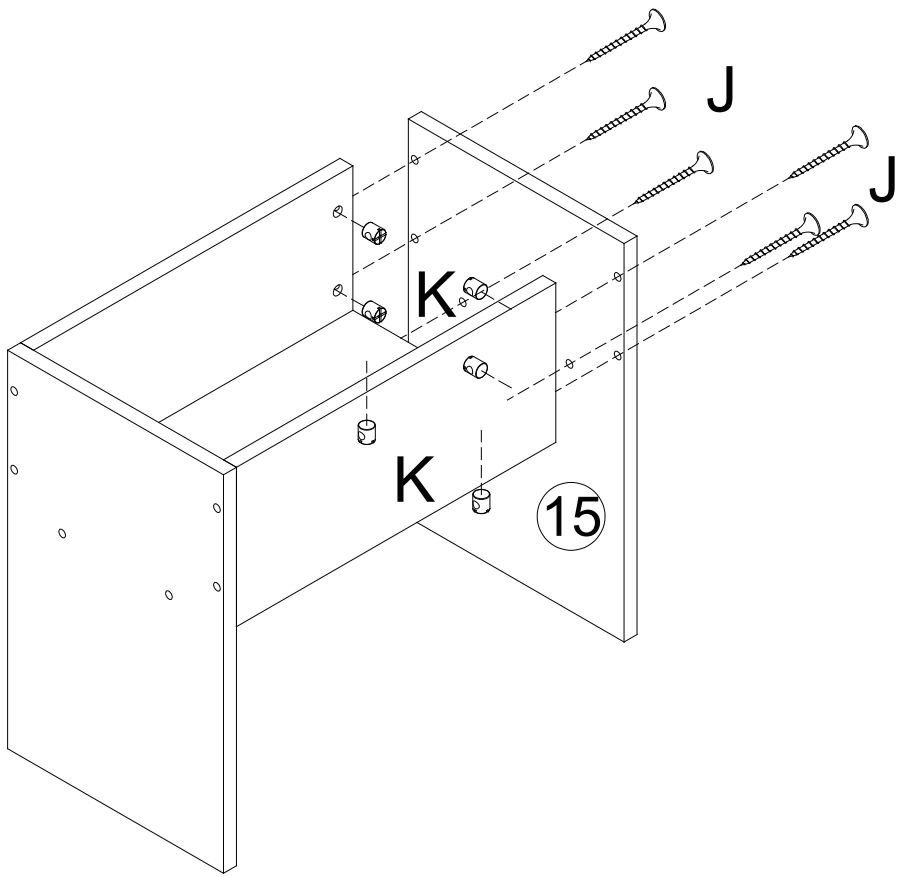
Step 15



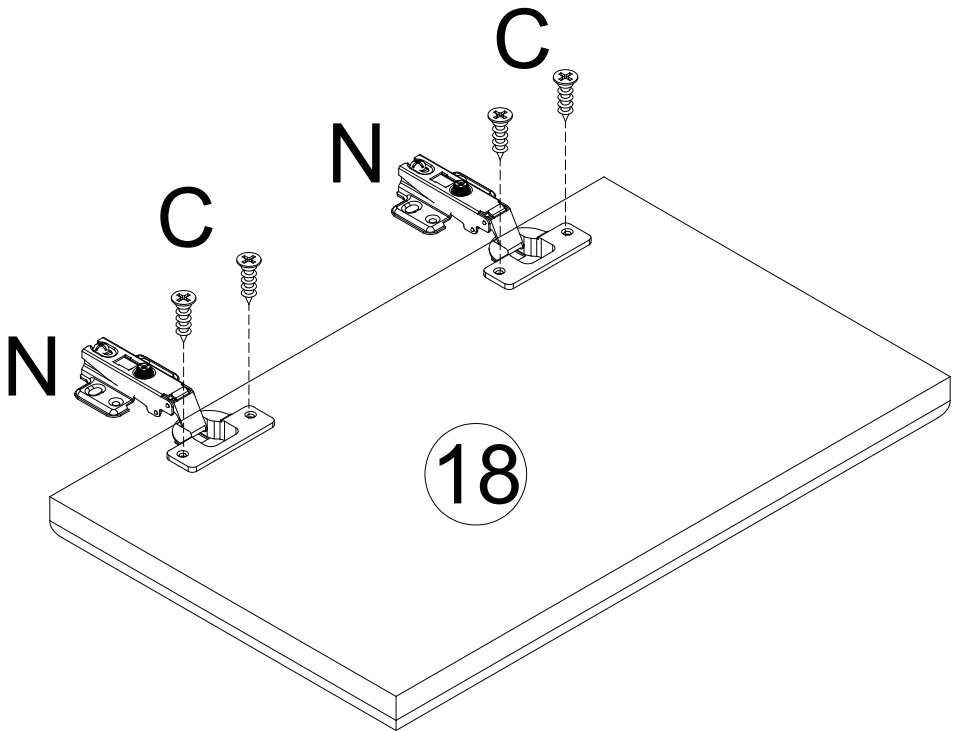
Step 16



Step 17



Step 18



Step 19

