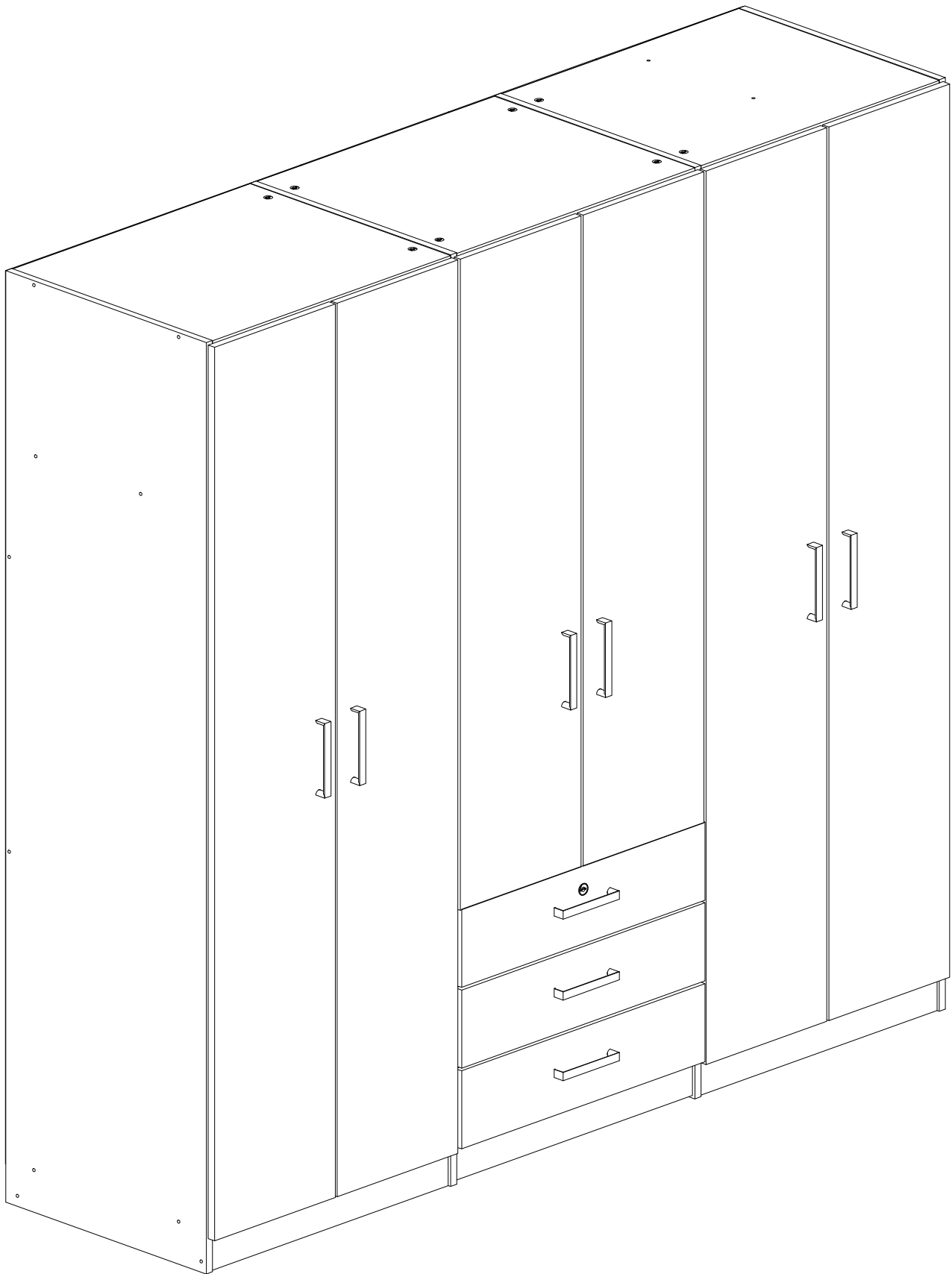
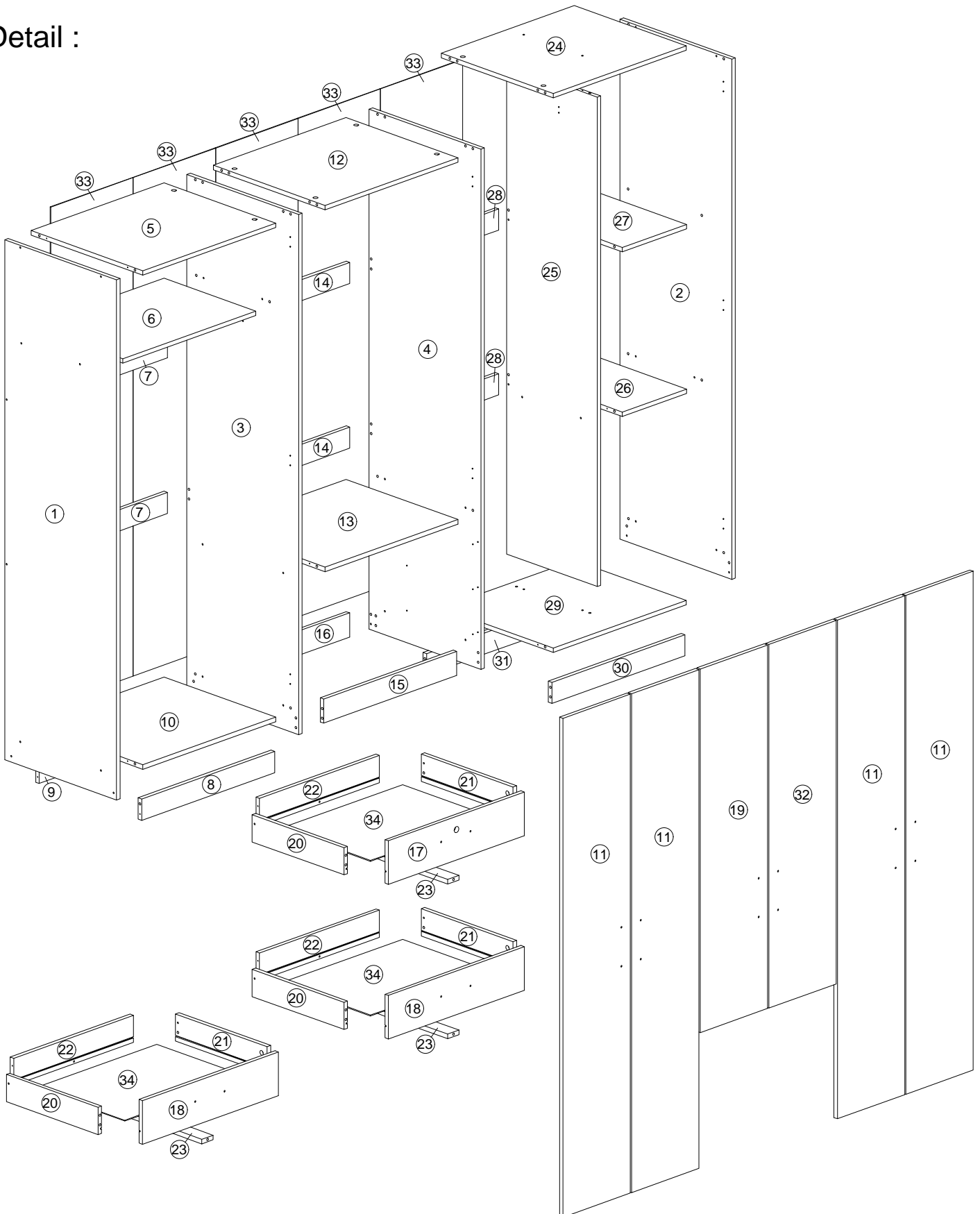


Assembly Instruction



Assembly Instruction

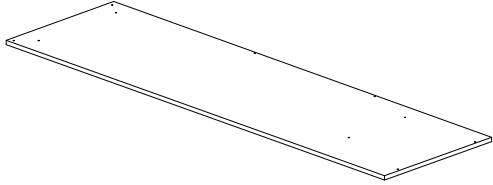
Detail :



Assembly Instruction

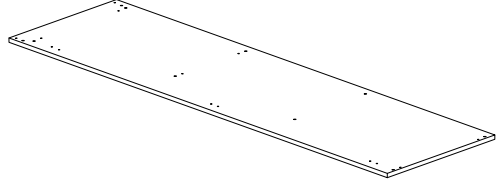
Part List

① X 1



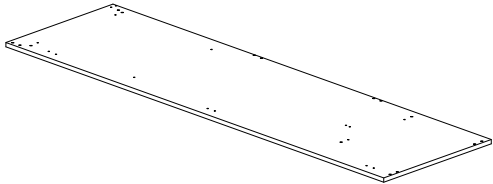
Side Panel Left

② X 1



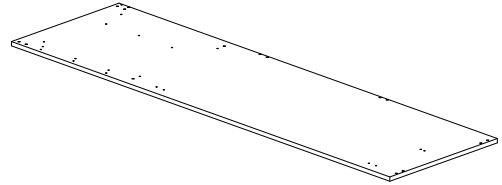
Side Panel Right

③ X 1



Center Panel Left

④ X 1

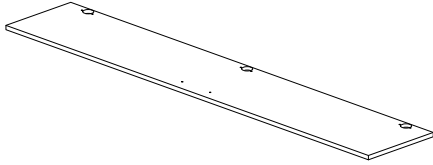


Center Panel Right

Assembly Instruction

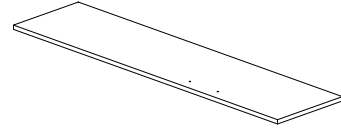
Part List

①① X 4



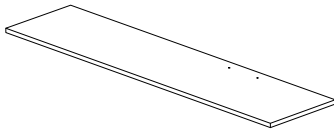
Door Panel Big Left Right

①⑨ X 1



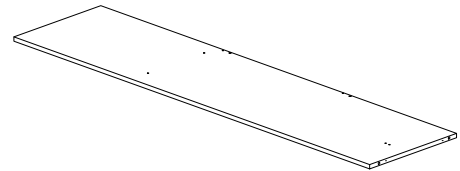
Center Door Panel Small Left

③② X 1



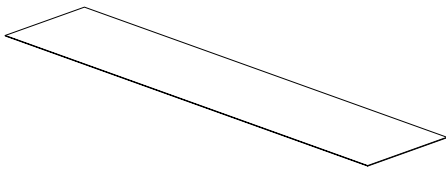
Center Door Panel Small Right

②⑤ X 1



Center Right

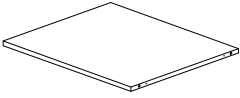

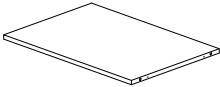


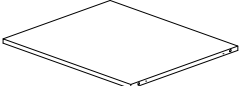
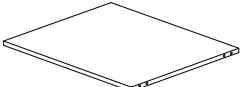
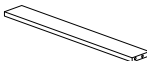
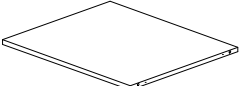
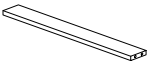
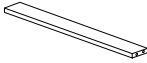
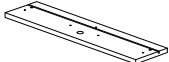

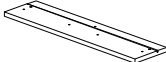

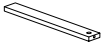

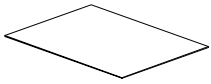
③③ X 1



Back Panel

Assembly Instruction

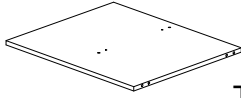
Part List

⑤ X 1		Top Panel Left	⑧ X 1		Bottom Support Panel Front Left
⑥ X 1		Partition Panel Left	⑨ X 1		Bottom Support Panel Back Left
⑦ X 2		Back Support Panel Left	⑩ X 1		Bottom Panel Left
⑫ X 1		Top Panel Center	⑮ X 1		Bottom Support Panel Front Center
⑬ X 1		Partition Panel Center	⑯ X 1		Bottom Support Panel Back Center
⑭ X 2		Back Support Panel Center	⑰ X 1		Drawer Front Panel Center No1
⑳ X 3		Drawer Side Left Panel Center	⑱ X 2		Drawer Front Panel Center No2 No3
㉑ X 3		Drawer Side Right Panel Center	㉓ X 3		Drawer Support Panel Center
㉒ X 3		Drawer Back Panel Center	㉔ X 2		Drawer Bottom Panel

Assembly Instruction

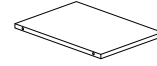
Part List

②④ X 1



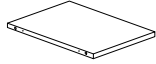
Top Panel Right

②⑦ X 1



Support Panel Right

②⑥ X 1



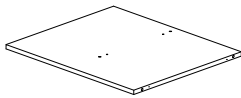
Partition Panel Right

②⑧ X 2



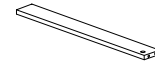
Back Support Panel Right

②⑨ X 1



Bottom Panel Right

③⑩ X 1



Bottom Support Panel Front Center

③① X 1






Bottom Support Panel Back Center

Assembly Instruction

Hardware List

No.	SHAPE	DESCRIPTION	Qty.
A		8x25mm Dowel (Wood)	76Pcs
B		Minifix	29Pcs
C		33mm Myfix	9Pcs
D		63mm Myfix	10Pcs
E		M3.5x16mm Screw	150Pcs
F		M4x45mm Screw	49Pcs
G		Hinges 2/8	16Pcs
H		V Bracket	6Pcs
I		Handle KT179.128mm	9Pcs
J		M4x28mm Screw	18Pcs
K		Drawer Lock	1Set
L		5/8 Nail With Pin	8Pcs
M		6/8 Power Pin	50Pcs
N		Aluminium Pipe(573mm)	2Pcs
O		Aluminium Pipe(278mm)	1Pc
P		Drawer Slide 350mm	3Sets
Q		Sticker	18Pcs

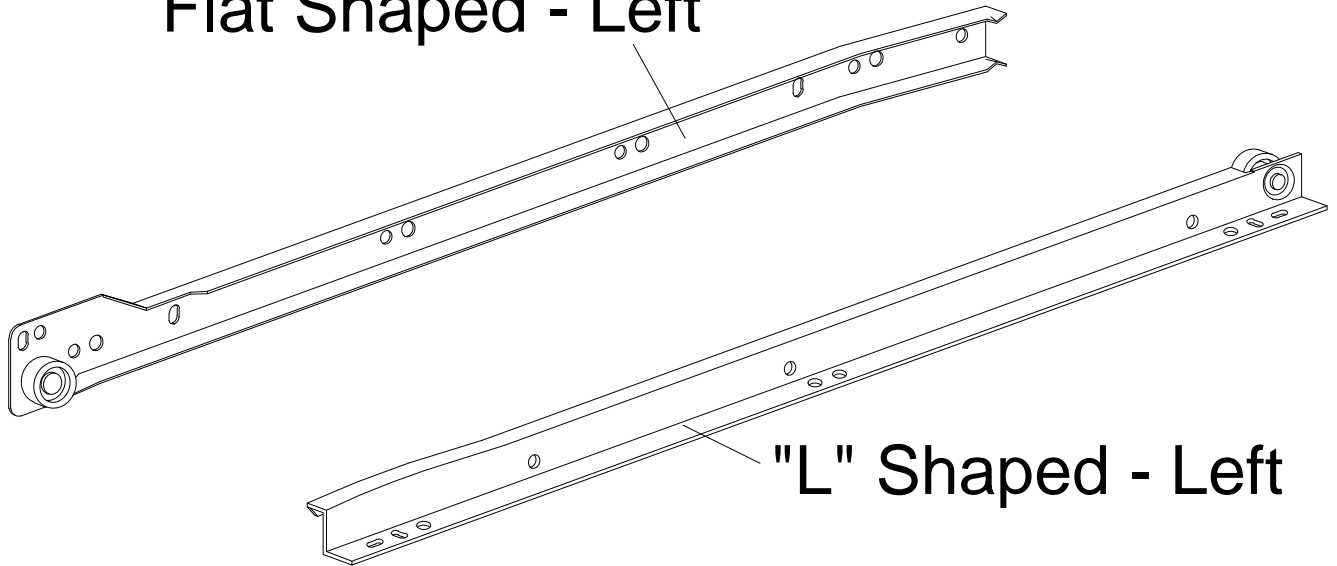
Anti Tipping Hardware

No.	SHAPE	DESCRIPTION	Qty.
a		Mounting Bracket	2Pcs
b		TP 6# x 5/8" Screw	1Pc
c		TP 8# x 2" Screw	1Pc
d		Restraint Strap	1Pc

Assembly Instruction

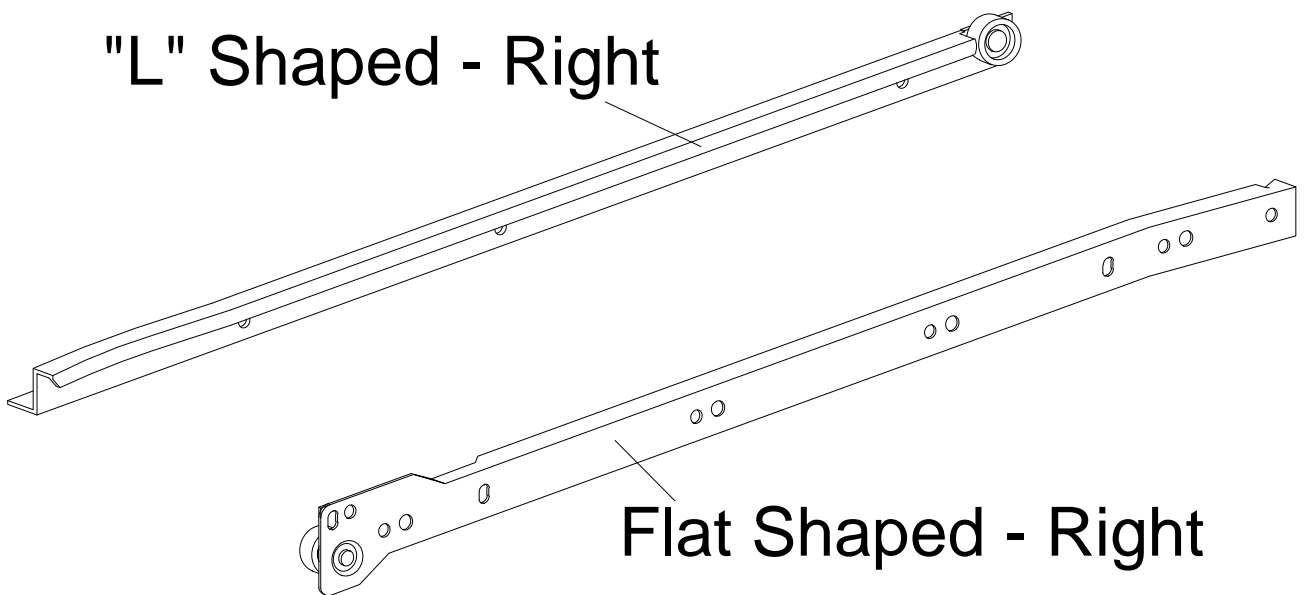
Left Drawer Silde (O)

Flat Shaped - Left




Right Drawer Silde (O)

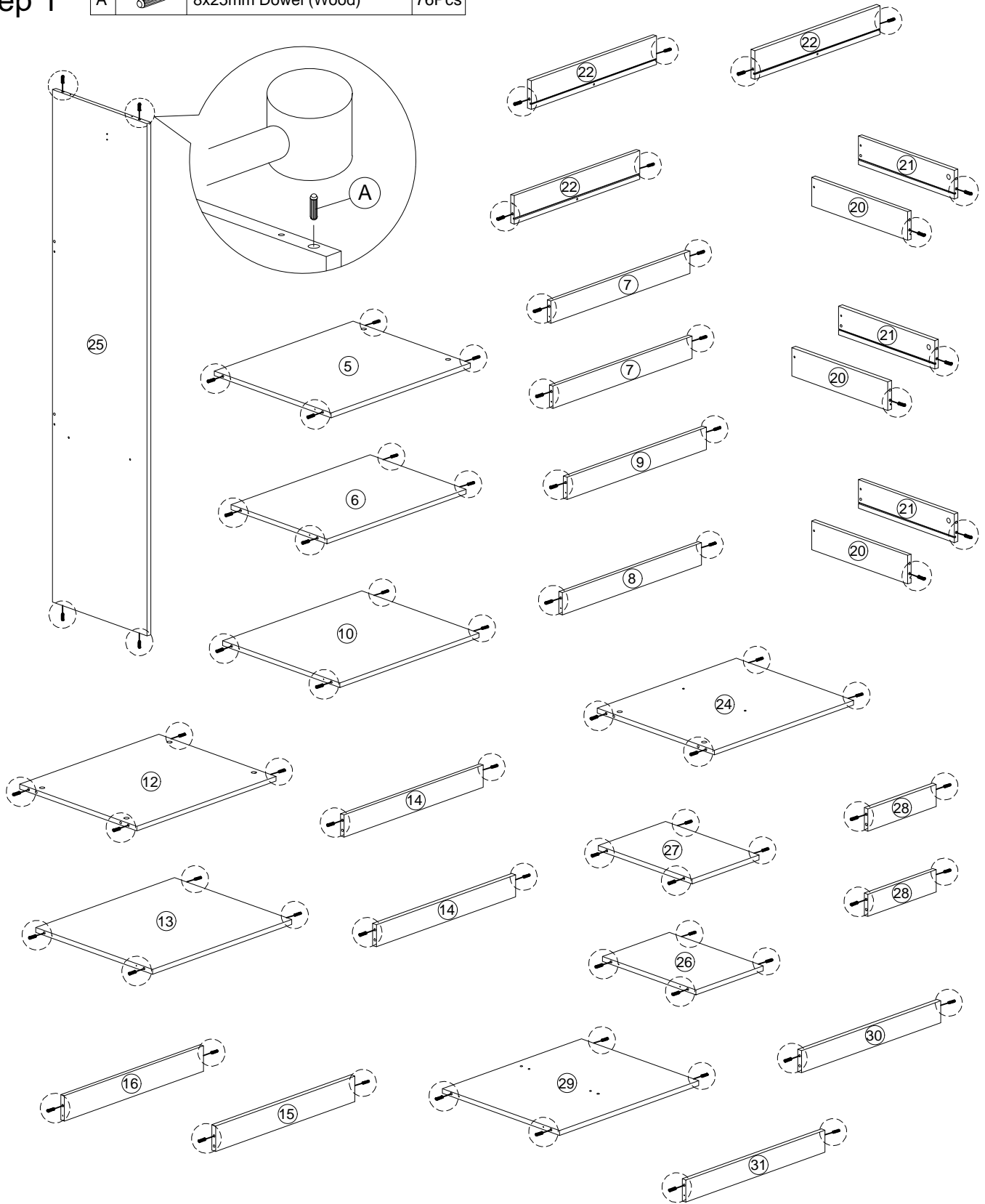
"L" Shaped - Right



Assembly Instruction

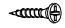

Step 1


A		8x25mm Dowel (Wood)	76Pcs
---	---	---------------------	-------

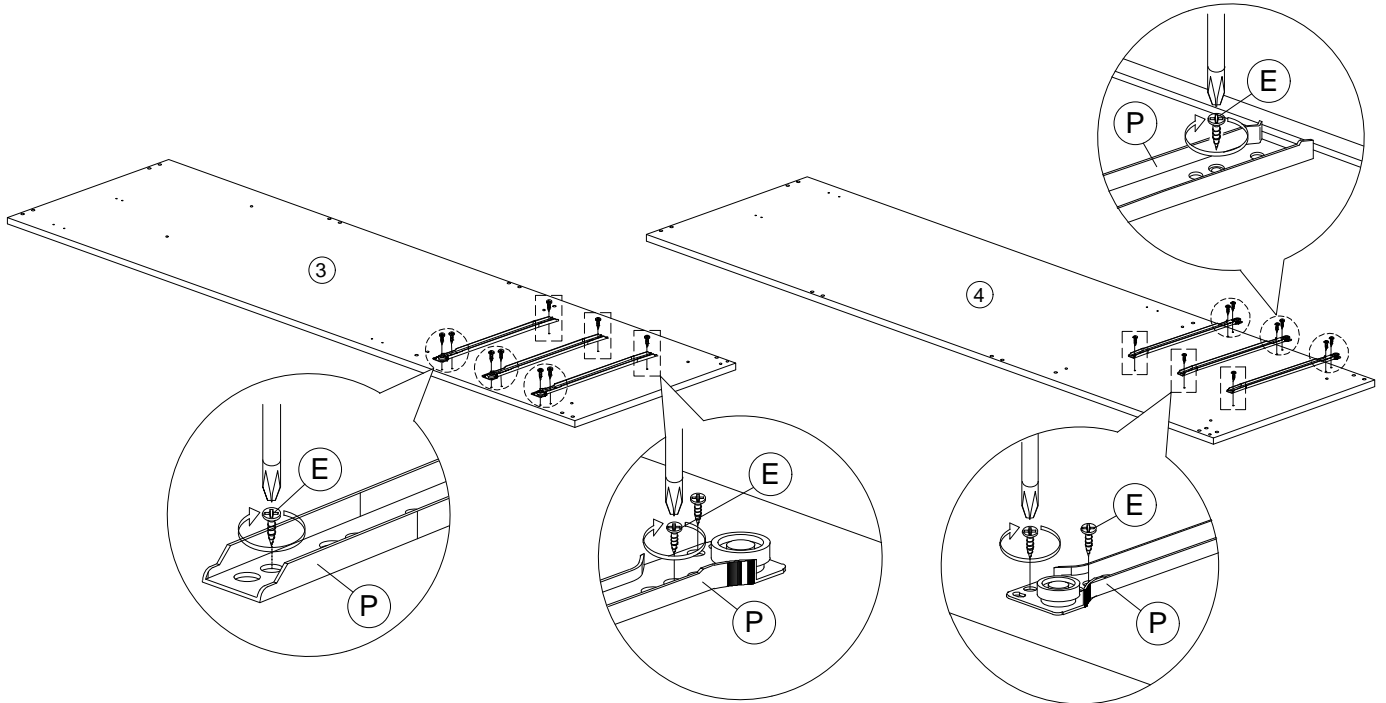


Assembly Instruction

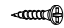

Step 2

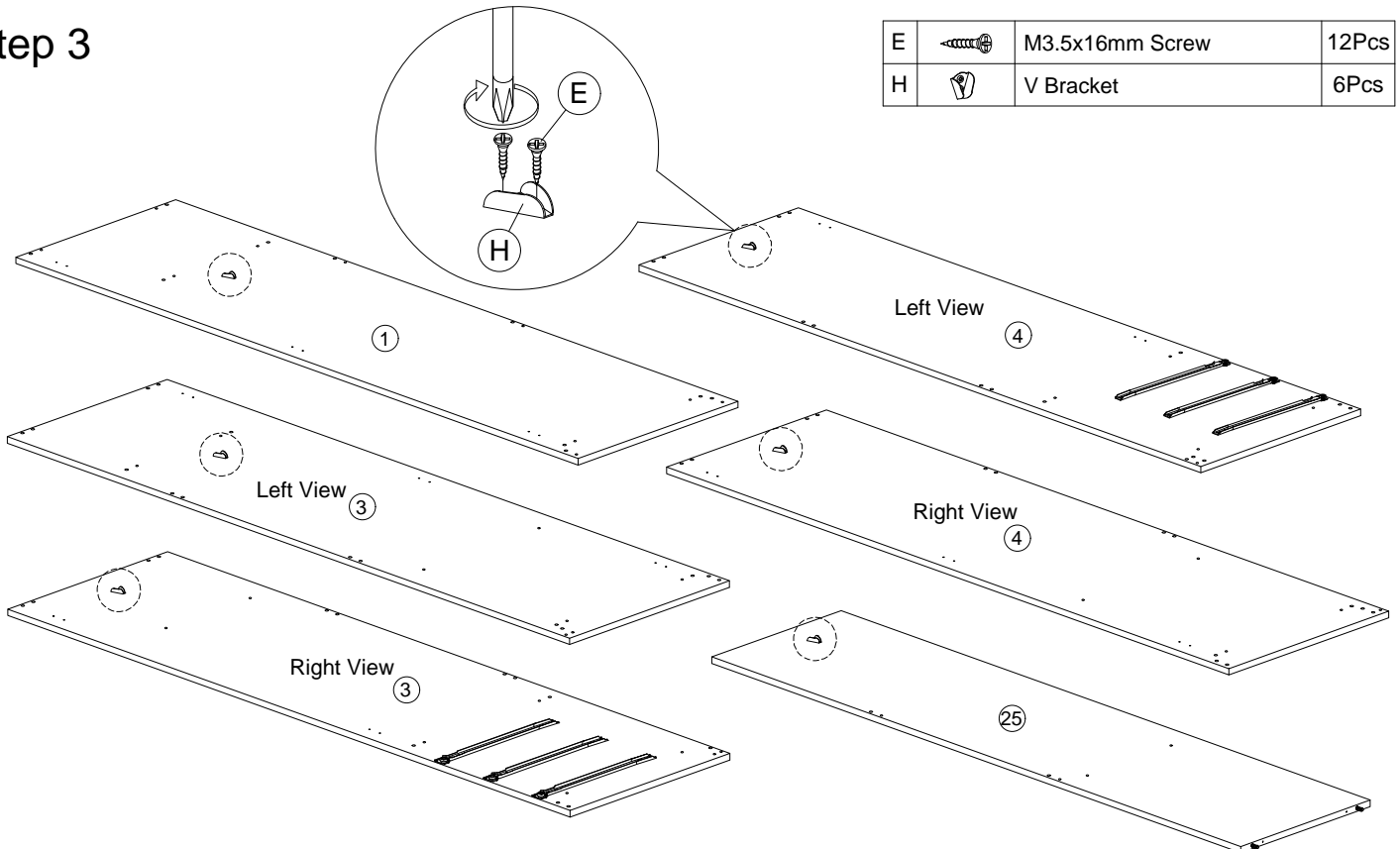
E		M3.5x16mm Screw	18Pcs
P		Drawer Slide 350mm - R	3Pcs

P		Drawer Slide 350mm - L	3Pcs
---	---	------------------------	------





Step 3

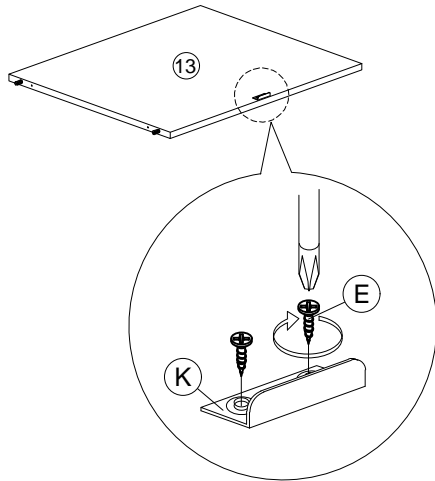
E		M3.5x16mm Screw	12Pcs
H		V Bracket	6Pcs



Assembly Instruction

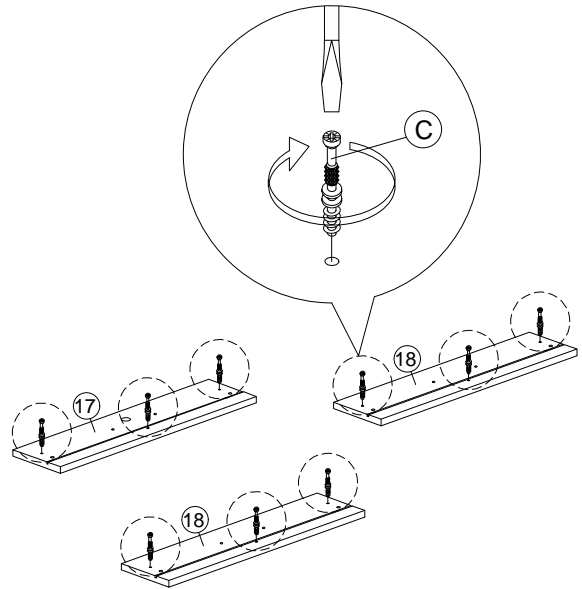
Step 4

E		M3.5x16mm Screw	2Pcs
K		Drawer Lock	1Pc




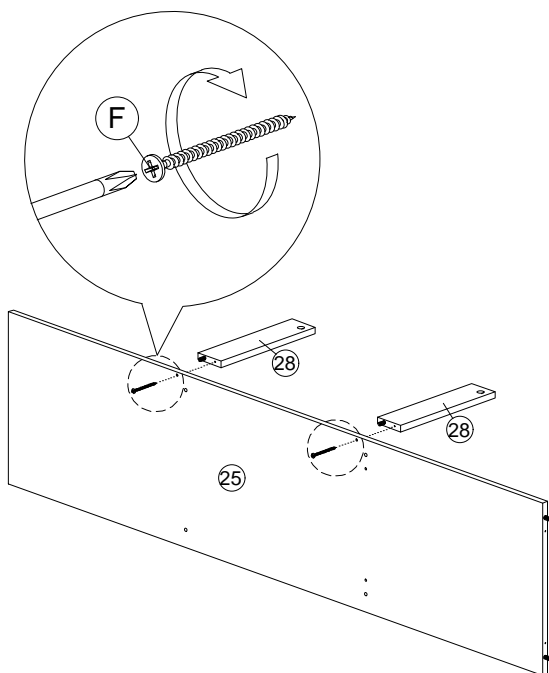
Step 5

C		Myfix	9Pcs
---	---	-------	------




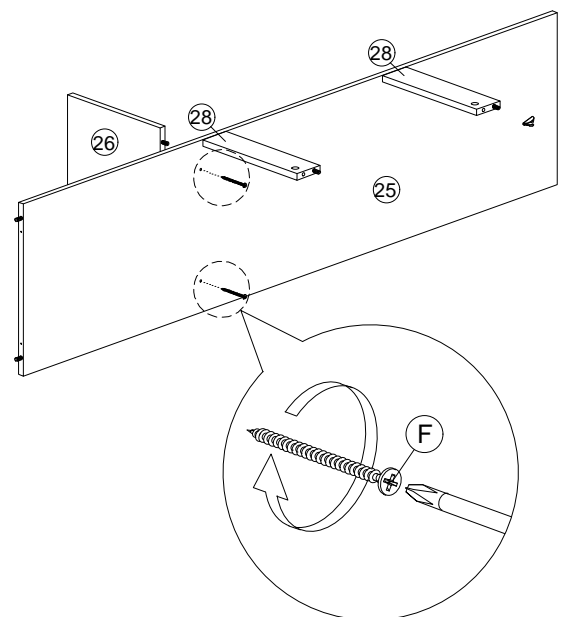
Step 6

F		M4x45mm Screw	2Pcs
---	---	---------------	------




Step 7

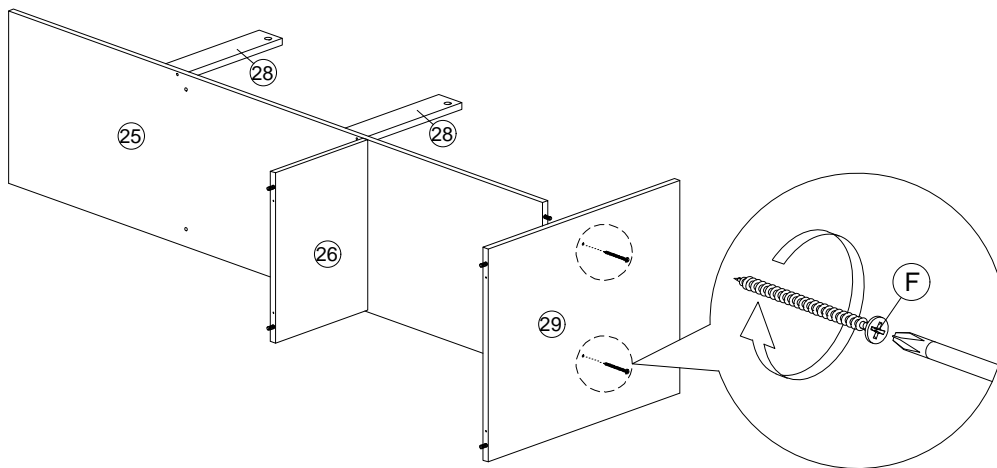
F		M4x45mm Screw	2Pcs
---	---	---------------	------




Assembly Instruction

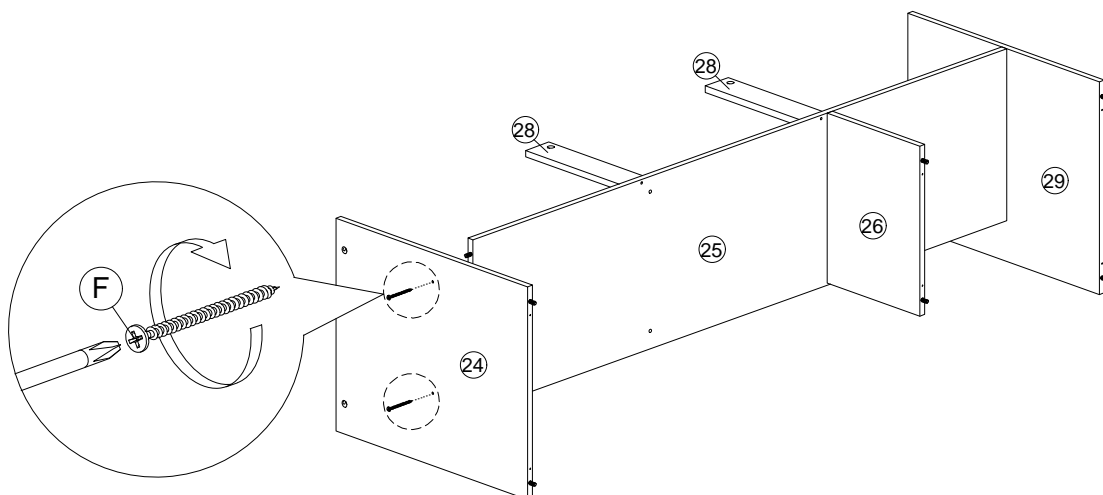
Step 8

F		M4x45mm Screw	2Pcs
---	---	---------------	------



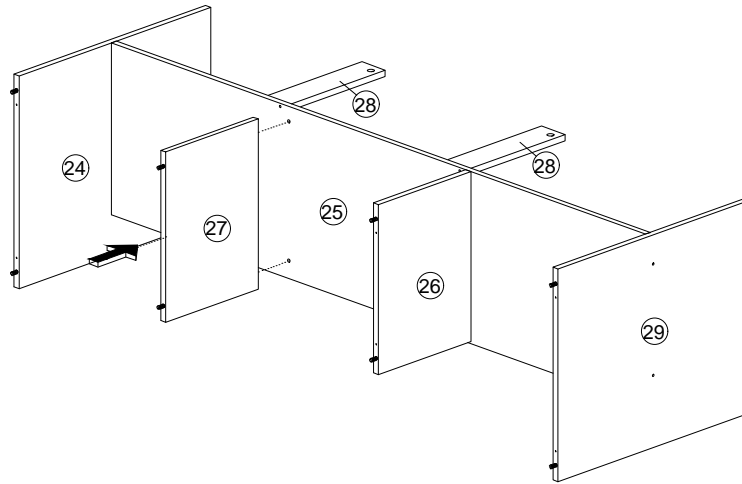
Step 9

F		M4x45mm Screw	2Pcs
---	---	---------------	------




Assembly Instruction

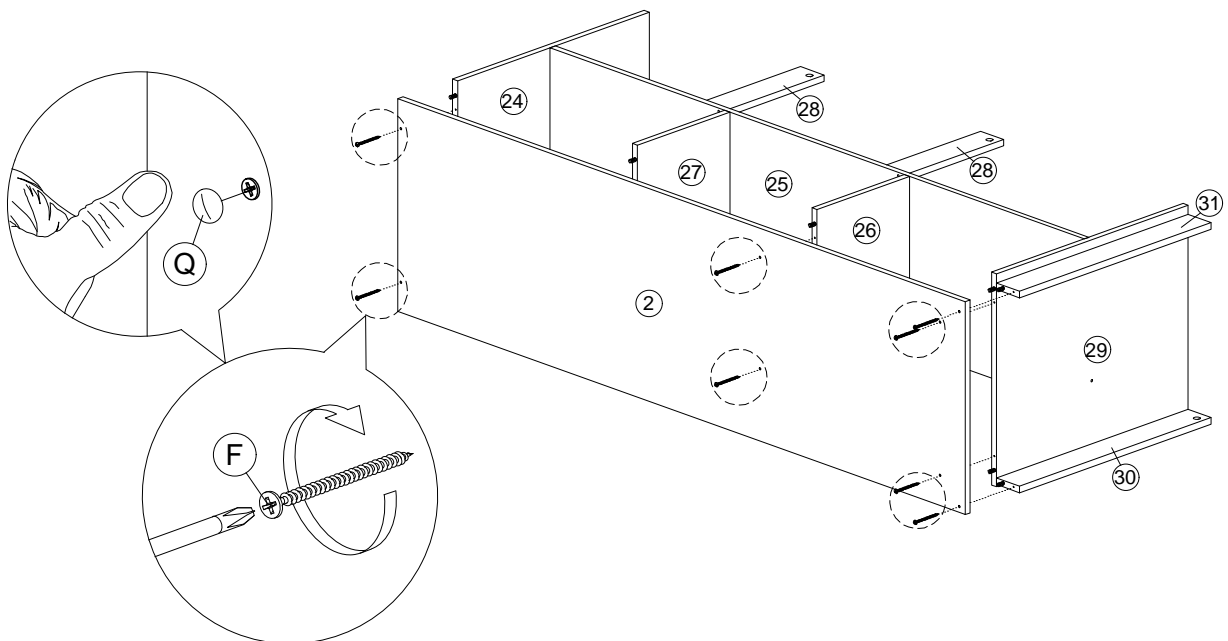
Step 10



Step 11

F  M4x45mm Screw 8Pcs

Q  Sticker 8Pcs

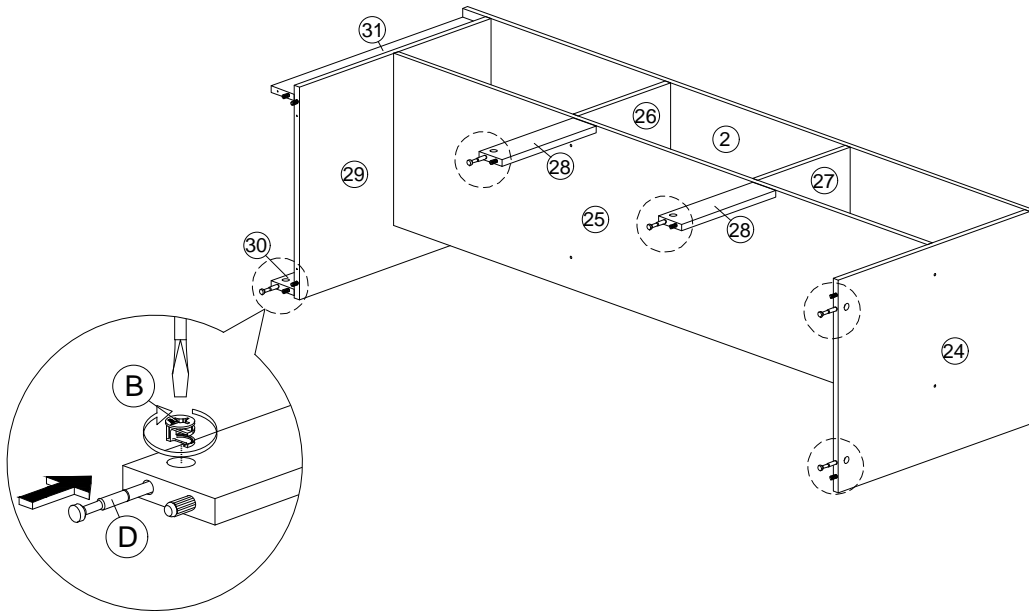


Assembly Instruction


Step 12

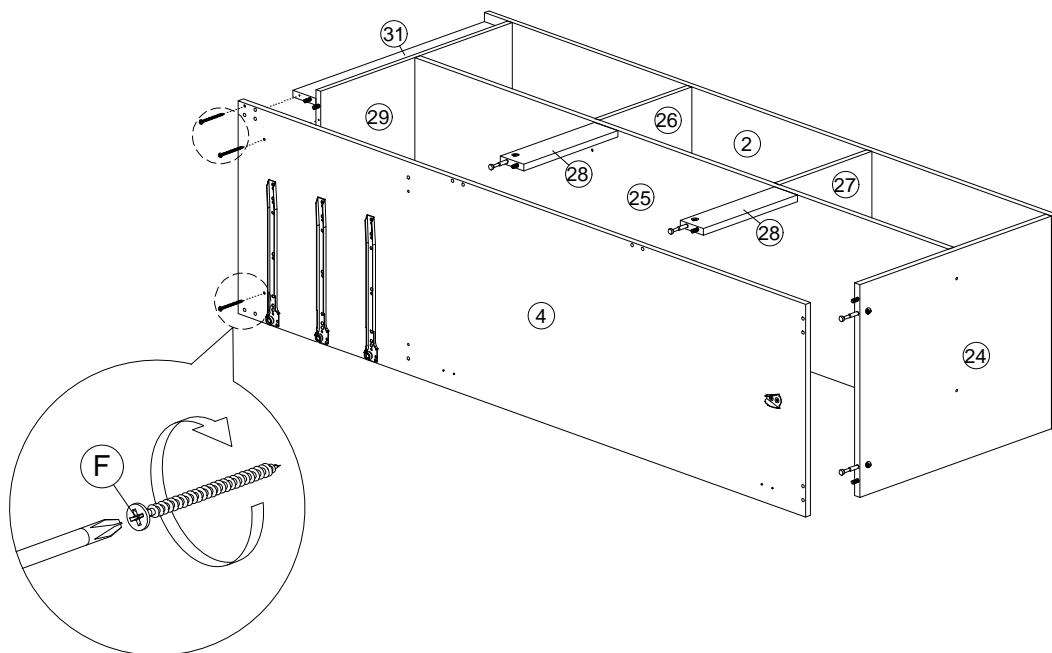
B  Minifix 5Pcs

D  63mm Myfix 5Pcs




Step 13

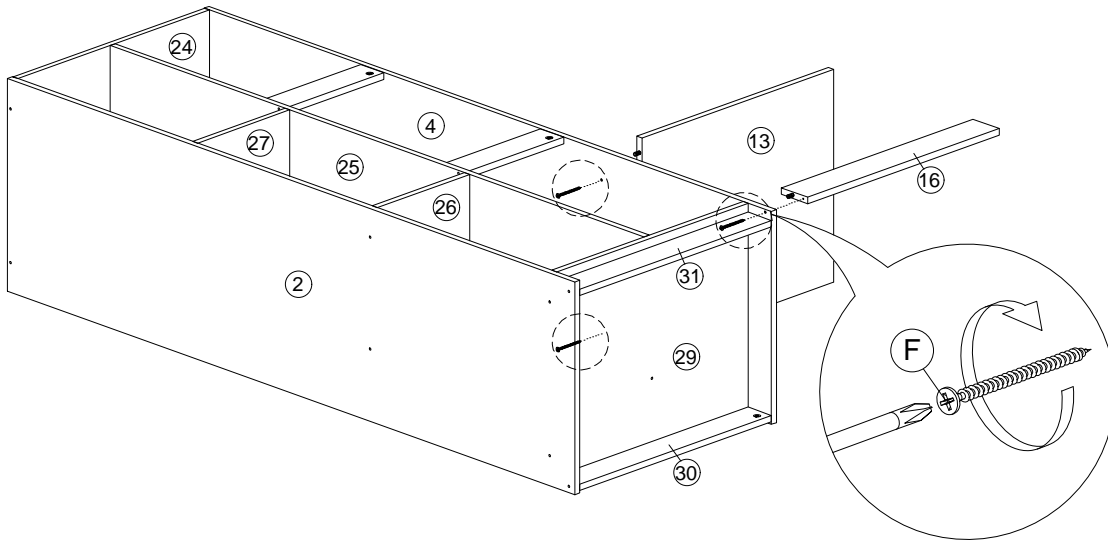
F  M4x45mm Screw 3Pcs



Assembly Instruction

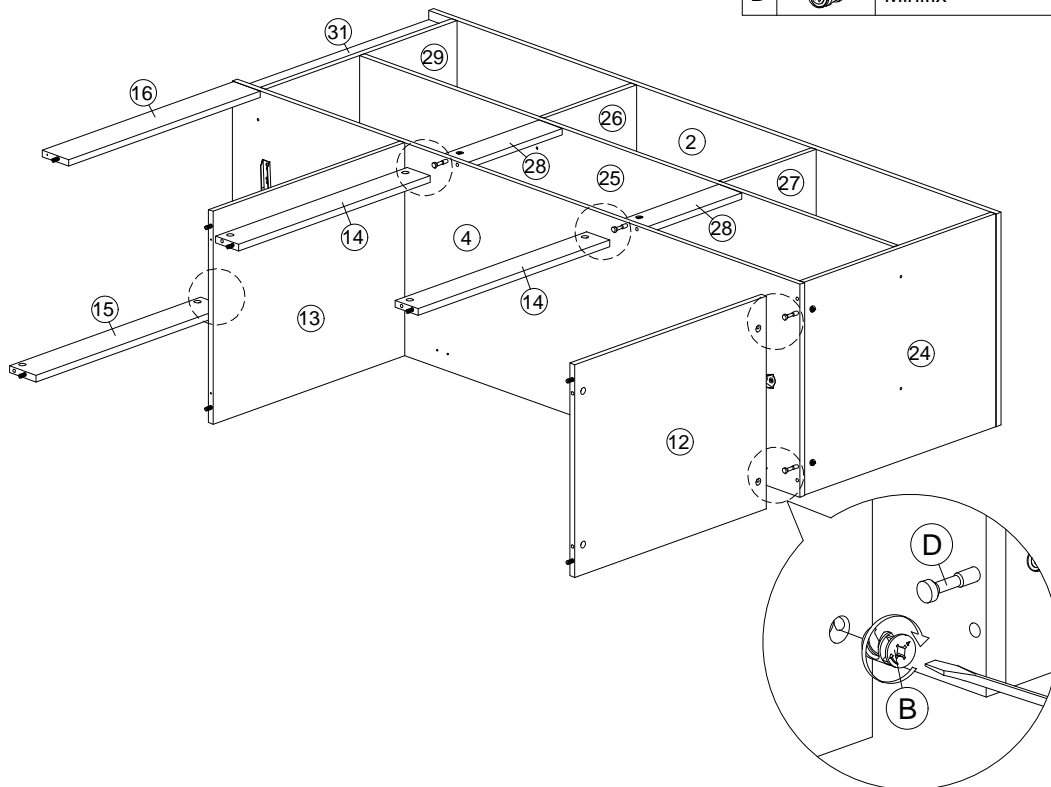
Step 14

F		M4x45mm Screw	3Pcs
---	---	---------------	------



Step 15

B		Minifix	5Pcs
---	---	---------	------

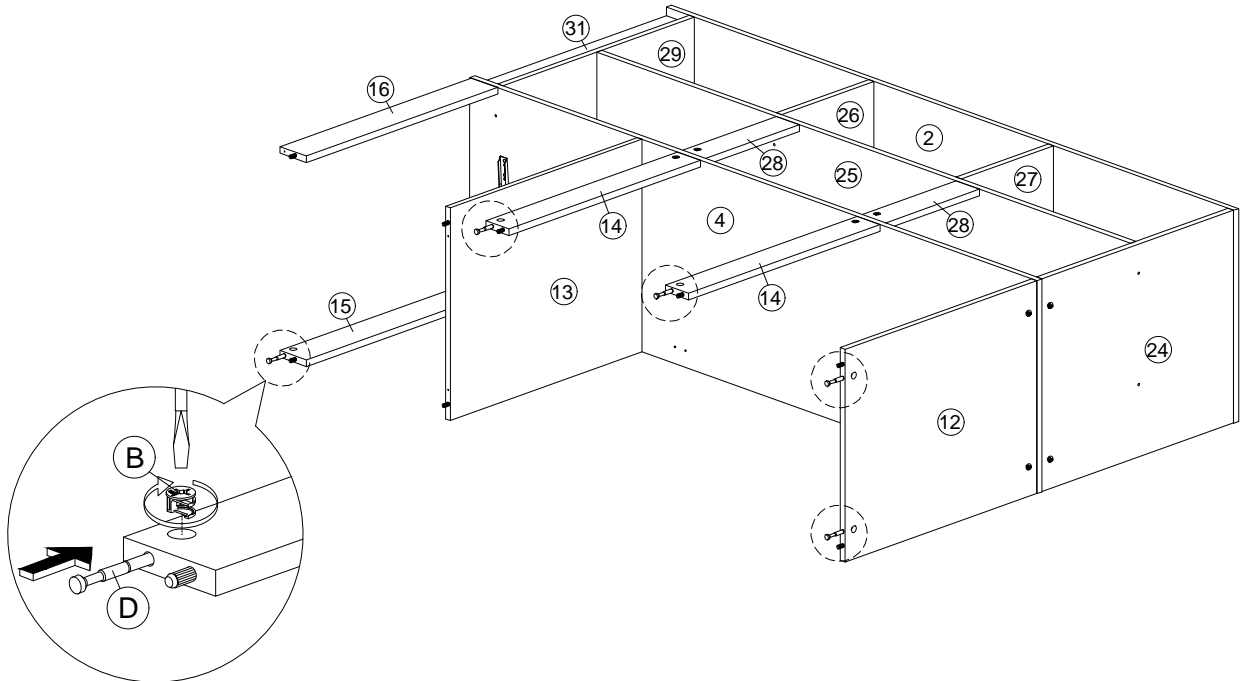


Assembly Instruction


Step 16

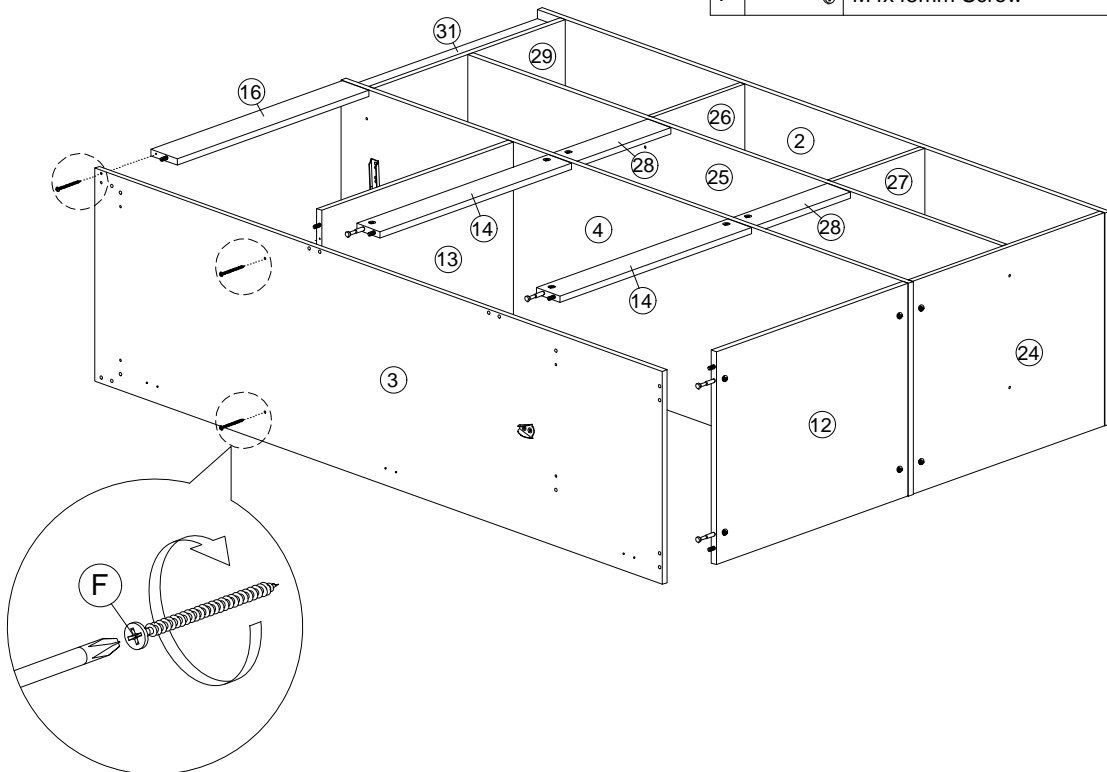
B  Minifix 5Pcs

D  63mm Myfix 5Pcs




Step 17

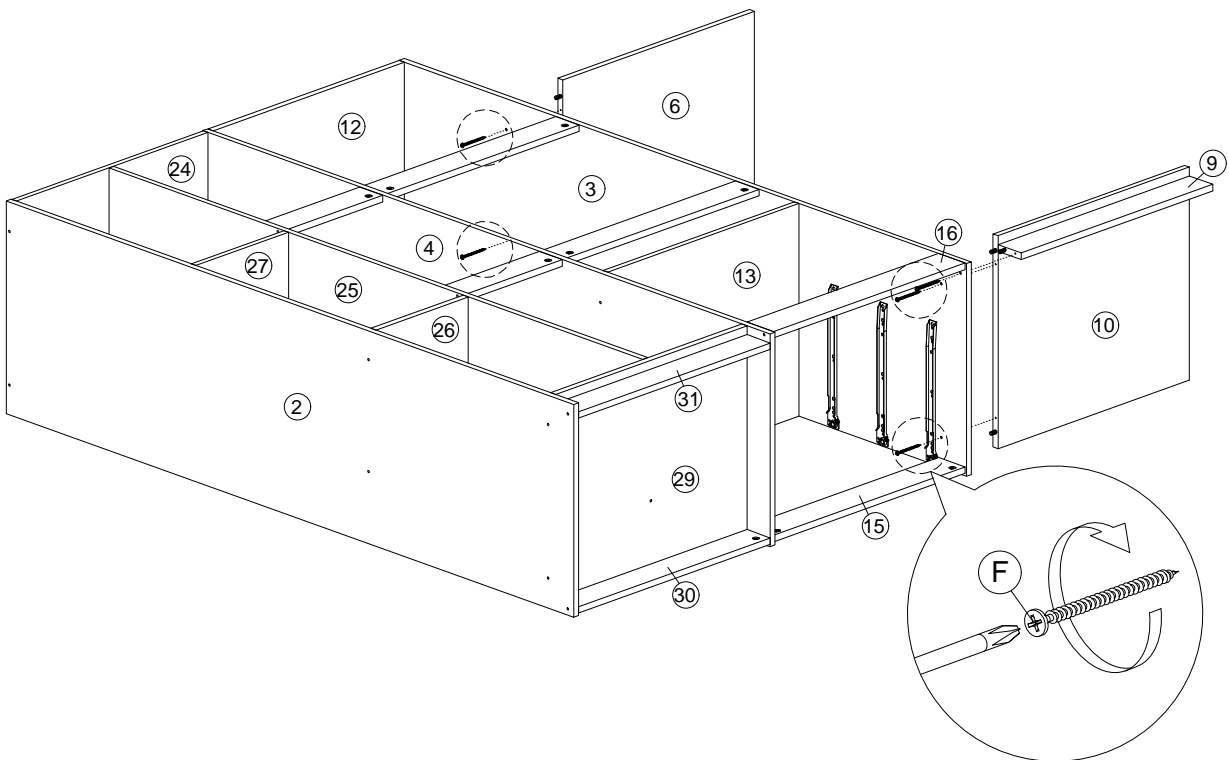
F  M4x45mm Screw 3Pcs



Assembly Instruction

Step 18

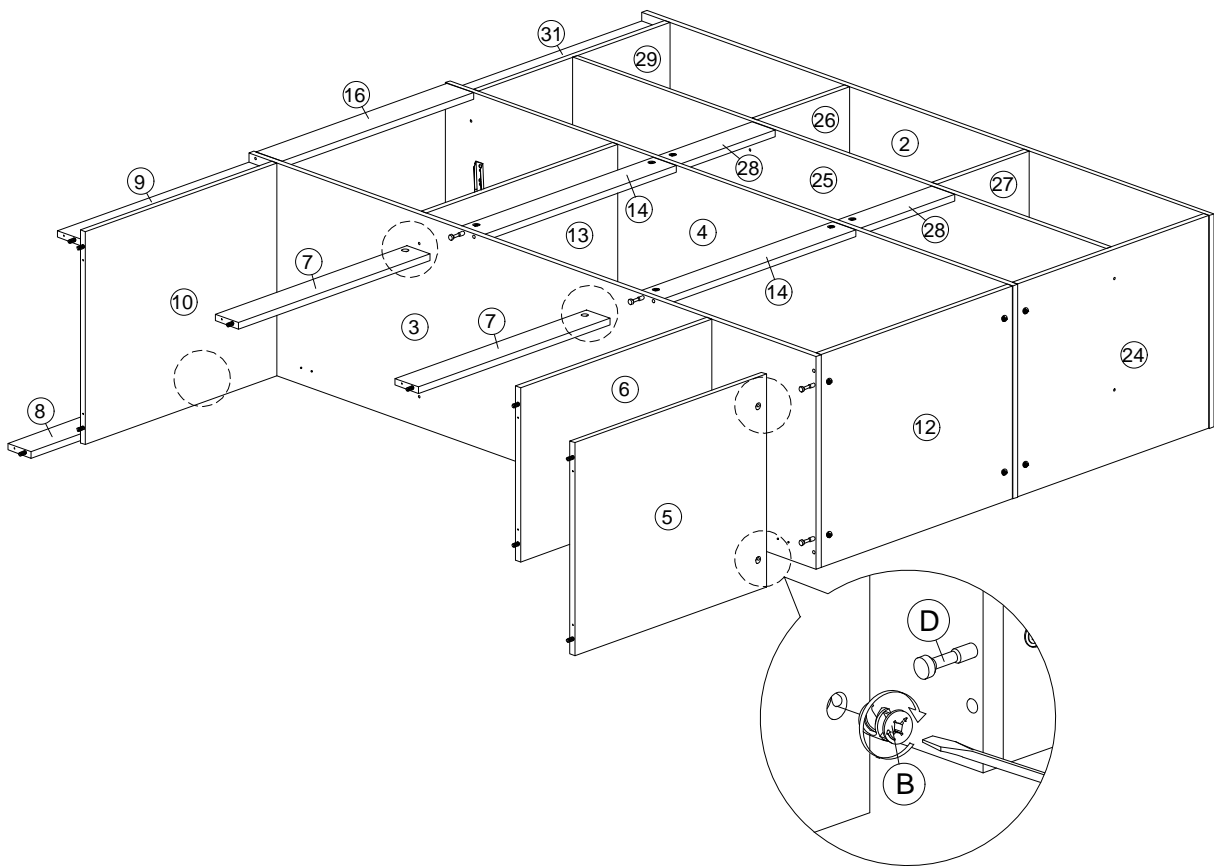
F		M4x45mm Screw	5Pcs
---	---	---------------	------



Assembly Instruction

Step 19

B		Minifix	5Pcs
---	---	---------	------

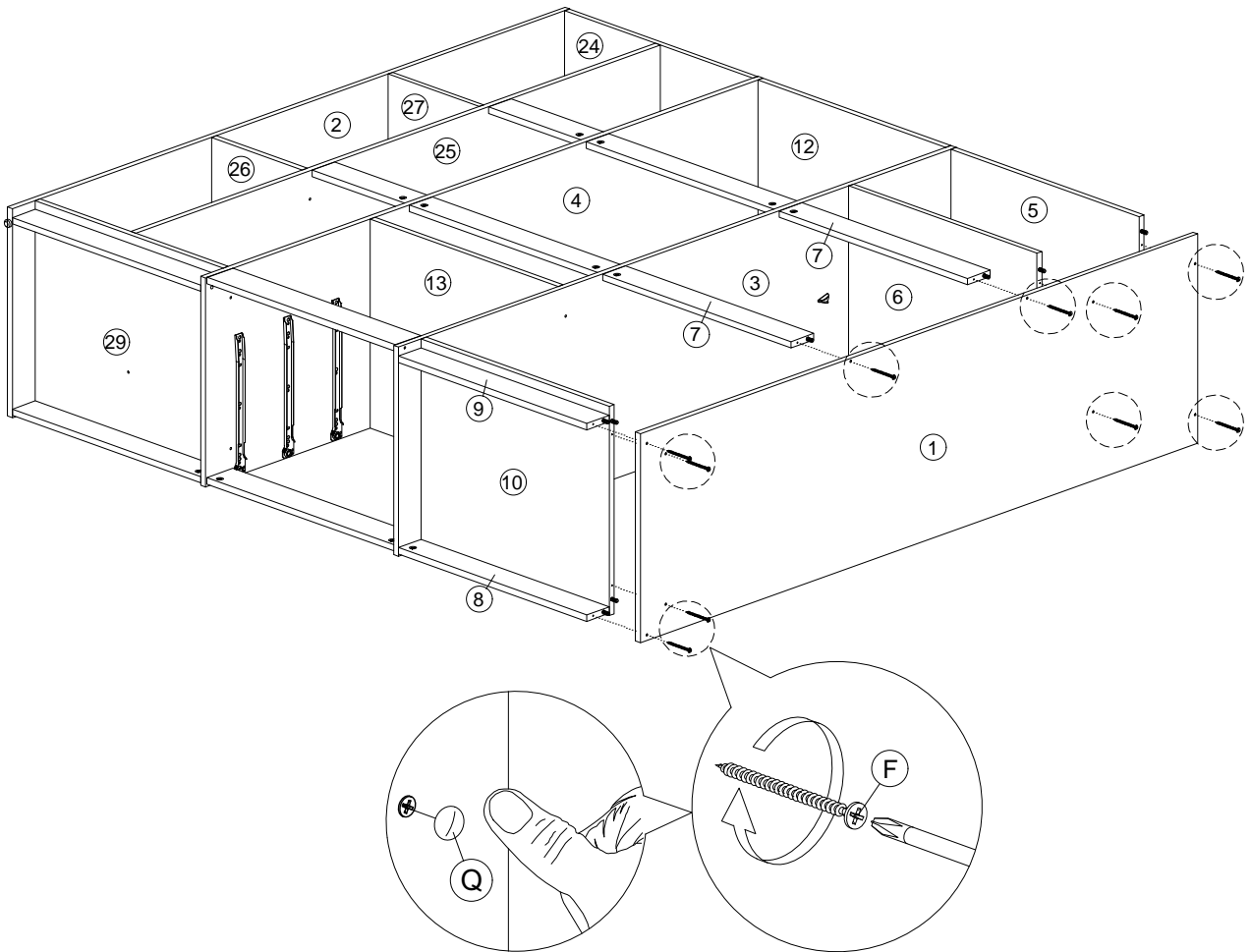


Assembly Instruction

Step 20

F  M4x45mm Screw 10Pcs

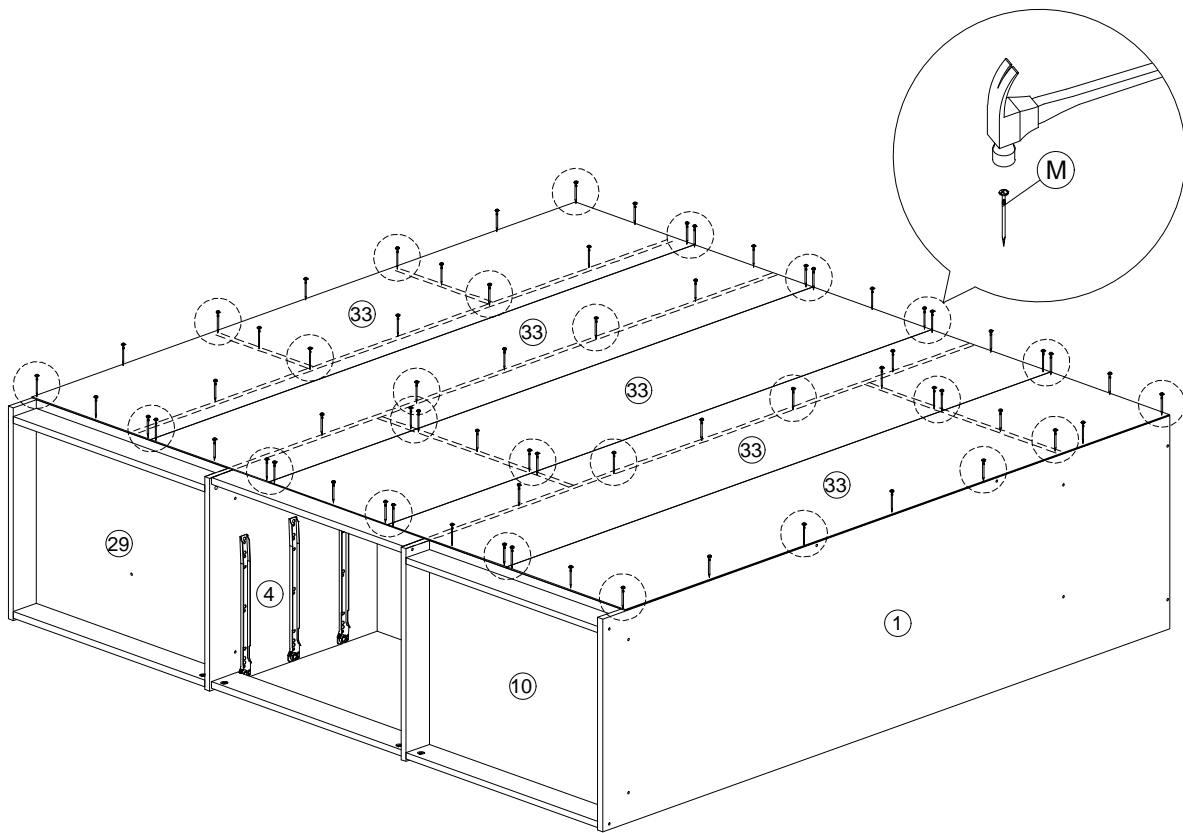
Q  Sticker 10Pcs



Assembly Instruction


Step 21

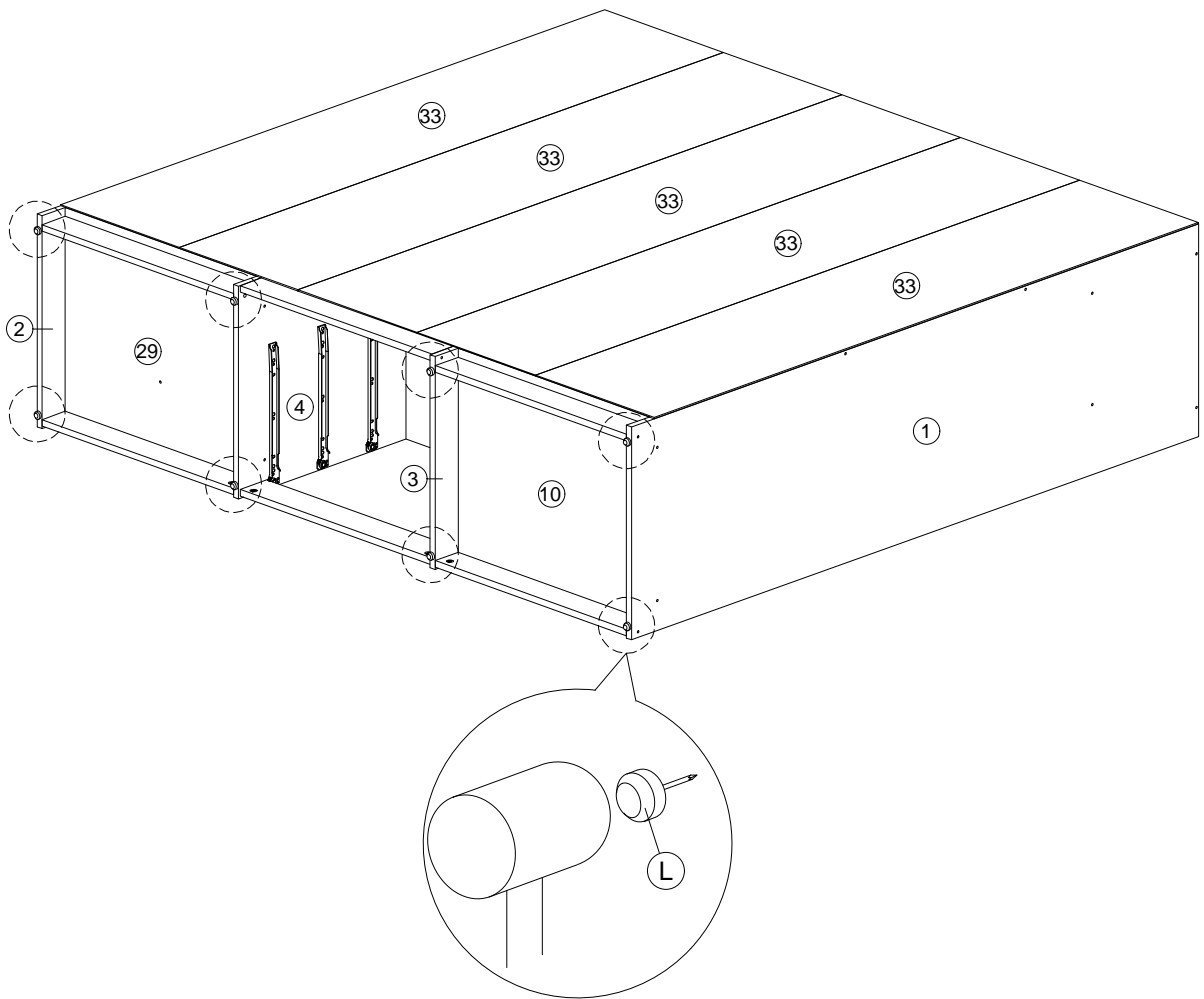
M		6/8 Power Pin	50Pcs
---	---	---------------	-------



Assembly Instruction

Step 22

L		5/8 Nail With Pin	8Pcs
---	---	-------------------	------



Assembly Instruction

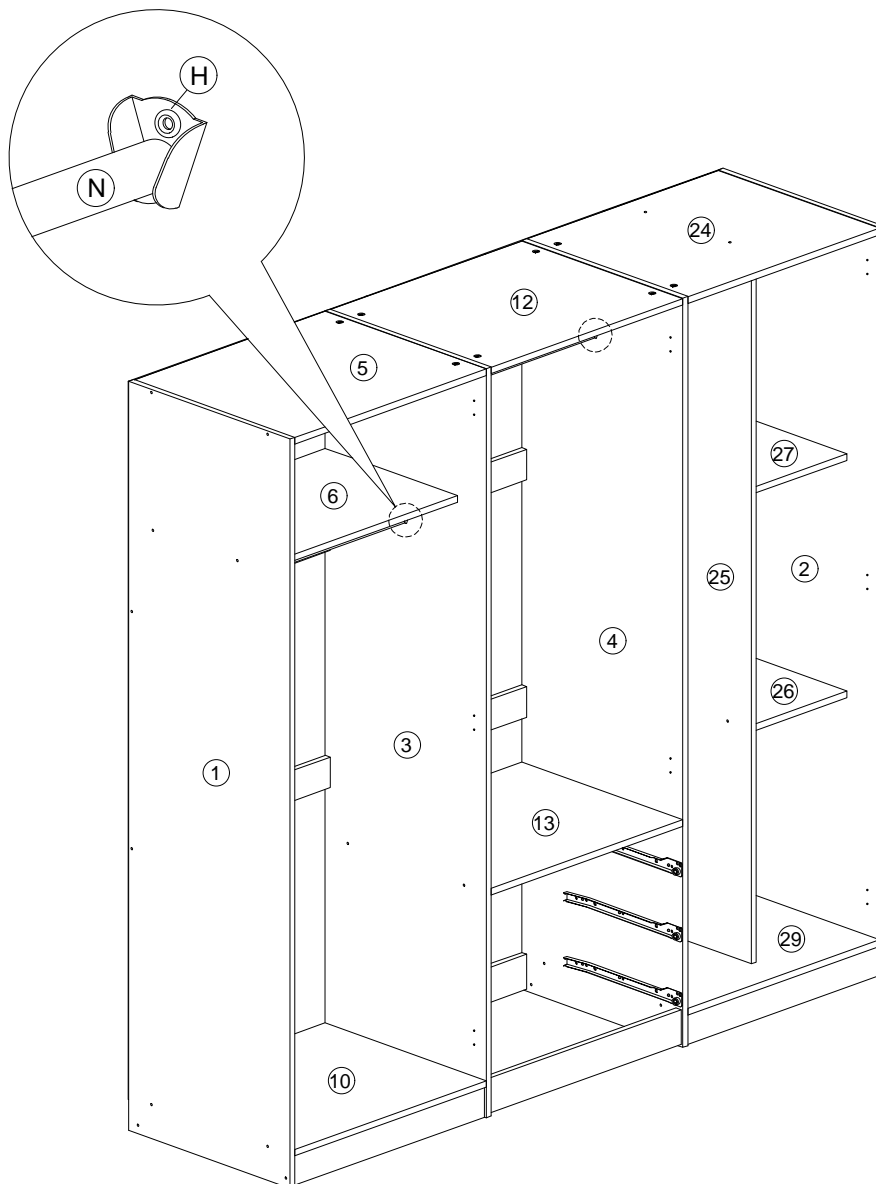
Step 23

N



Aluminium Pipe 573mm

2Pcs



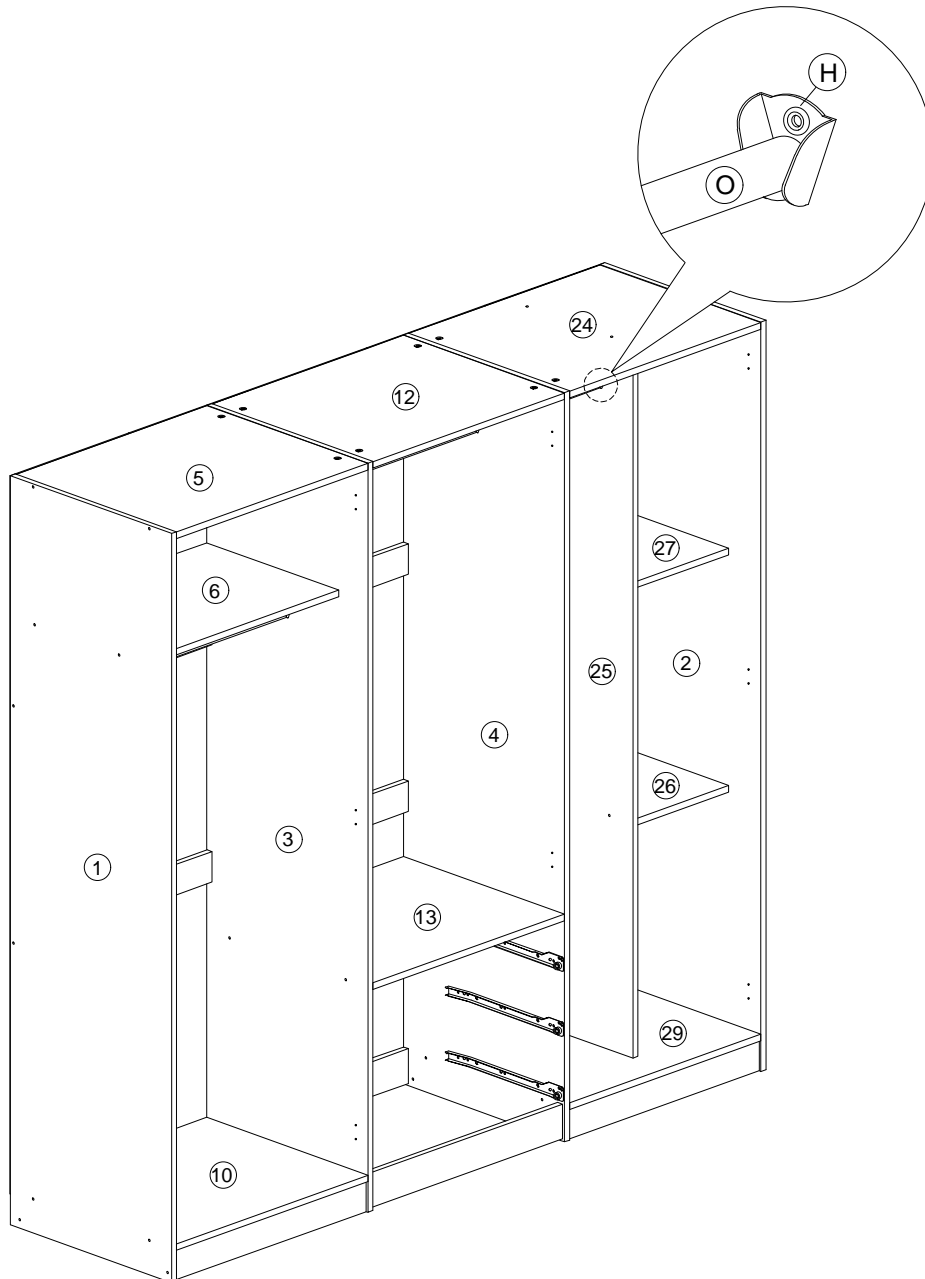
Assembly Instruction

Step 24



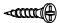
Aluminium Pipe 278mm


1Pc

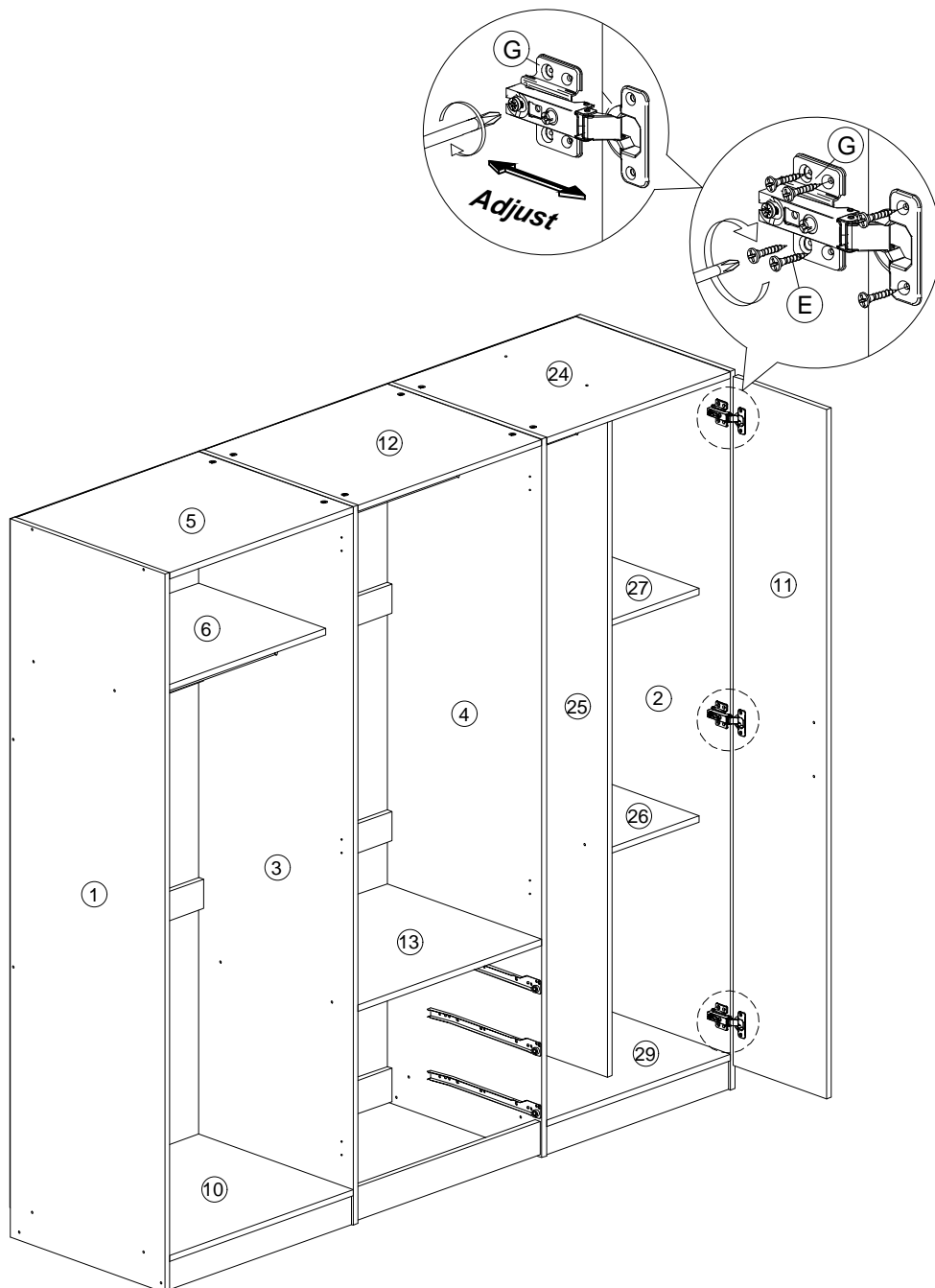


Assembly Instruction

Step 25


E		M3.5x16mm Screw	18Pcs
---	---	-----------------	-------


G		Hinges 2/8	3Pcs
---	---	------------	------

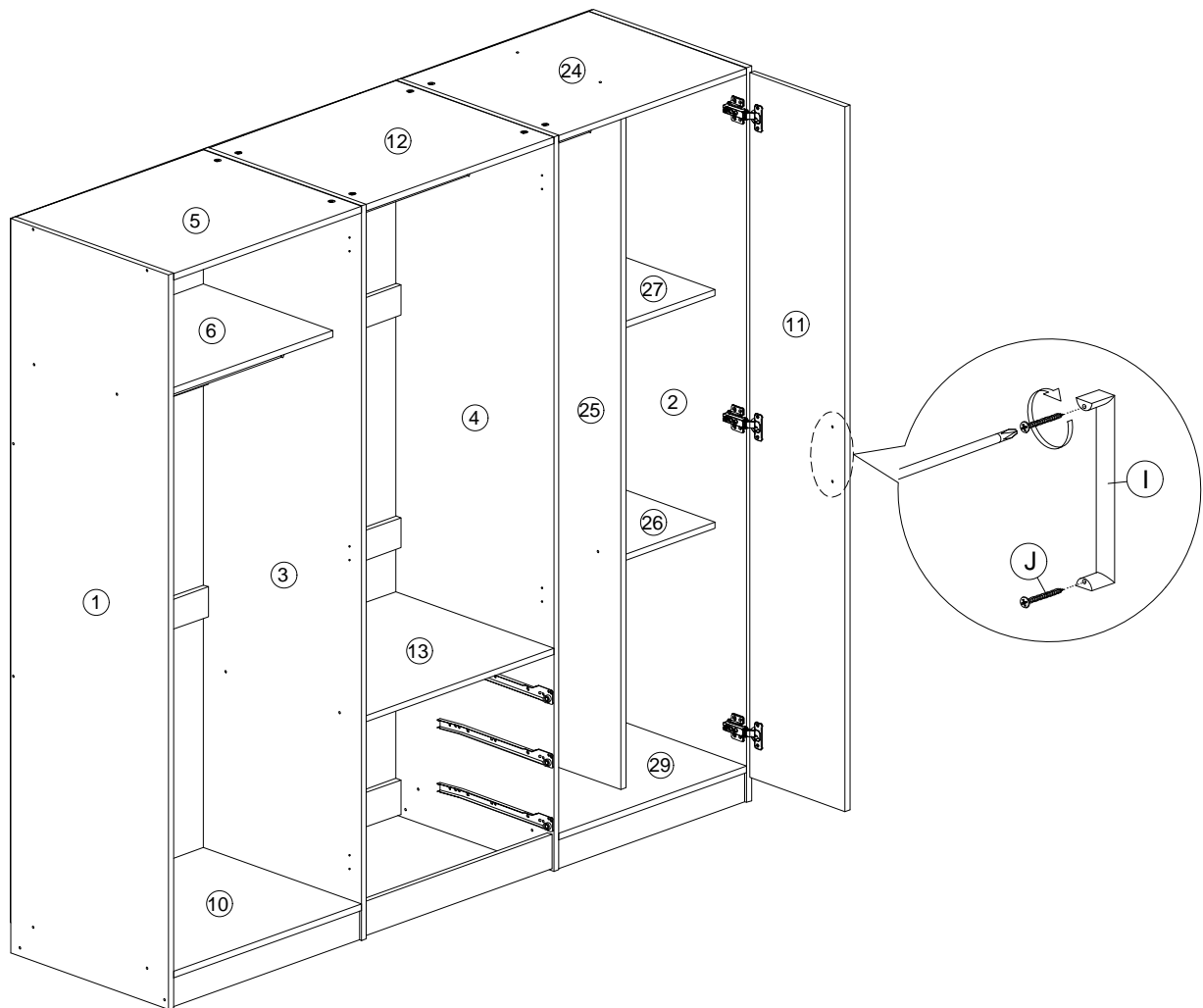


Assembly Instruction

Step 26

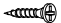
I		Handle KT179.128mm	1Pc
---	---	--------------------	-----


J		M4x28mm Screw	2Pcs
---	---	---------------	------

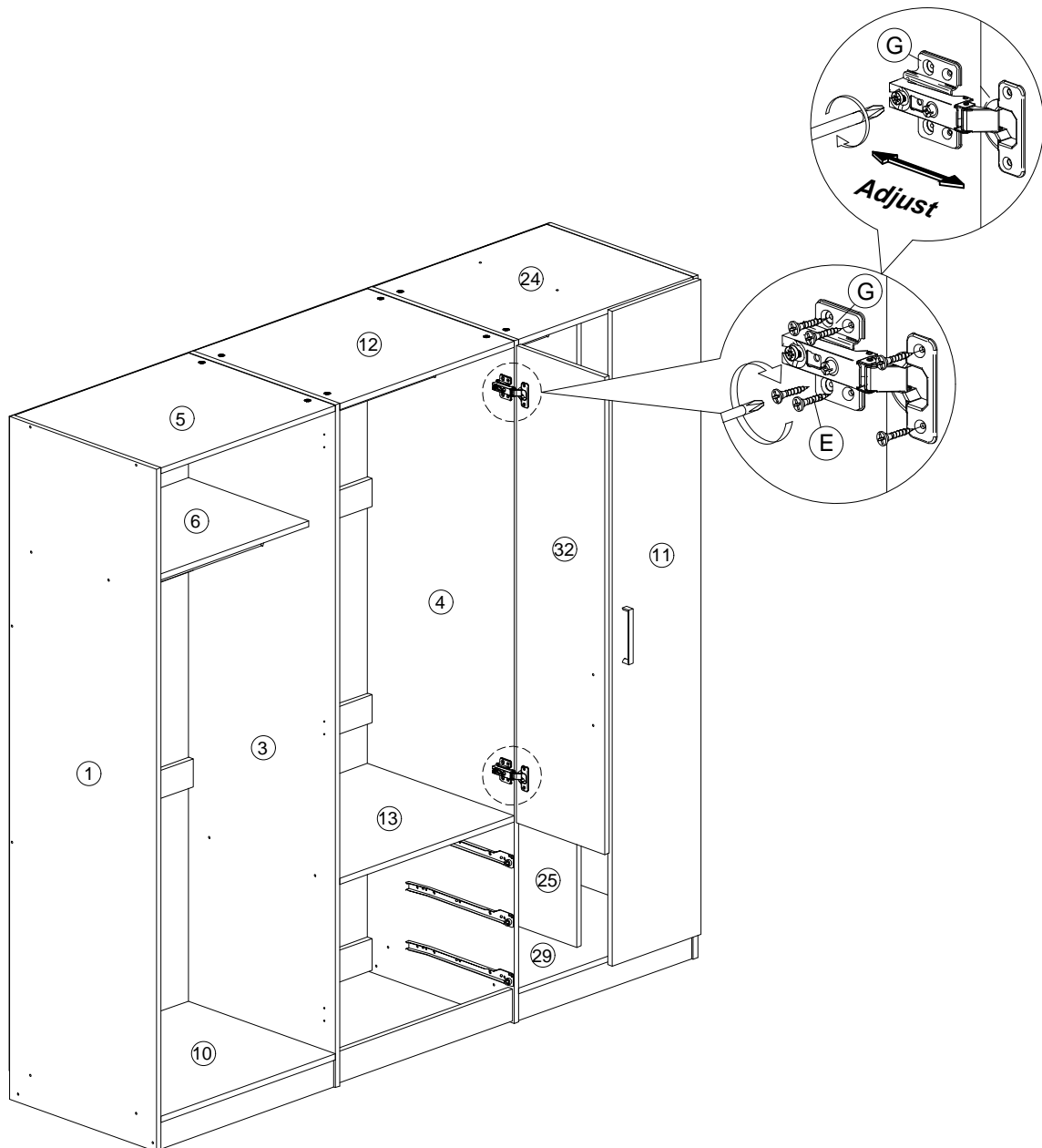


Assembly Instruction

Step 27


E		M3.5x16mm Screw	12Pcs
---	---	-----------------	-------


G		Hinges 2/8	2Pcs
---	---	------------	------

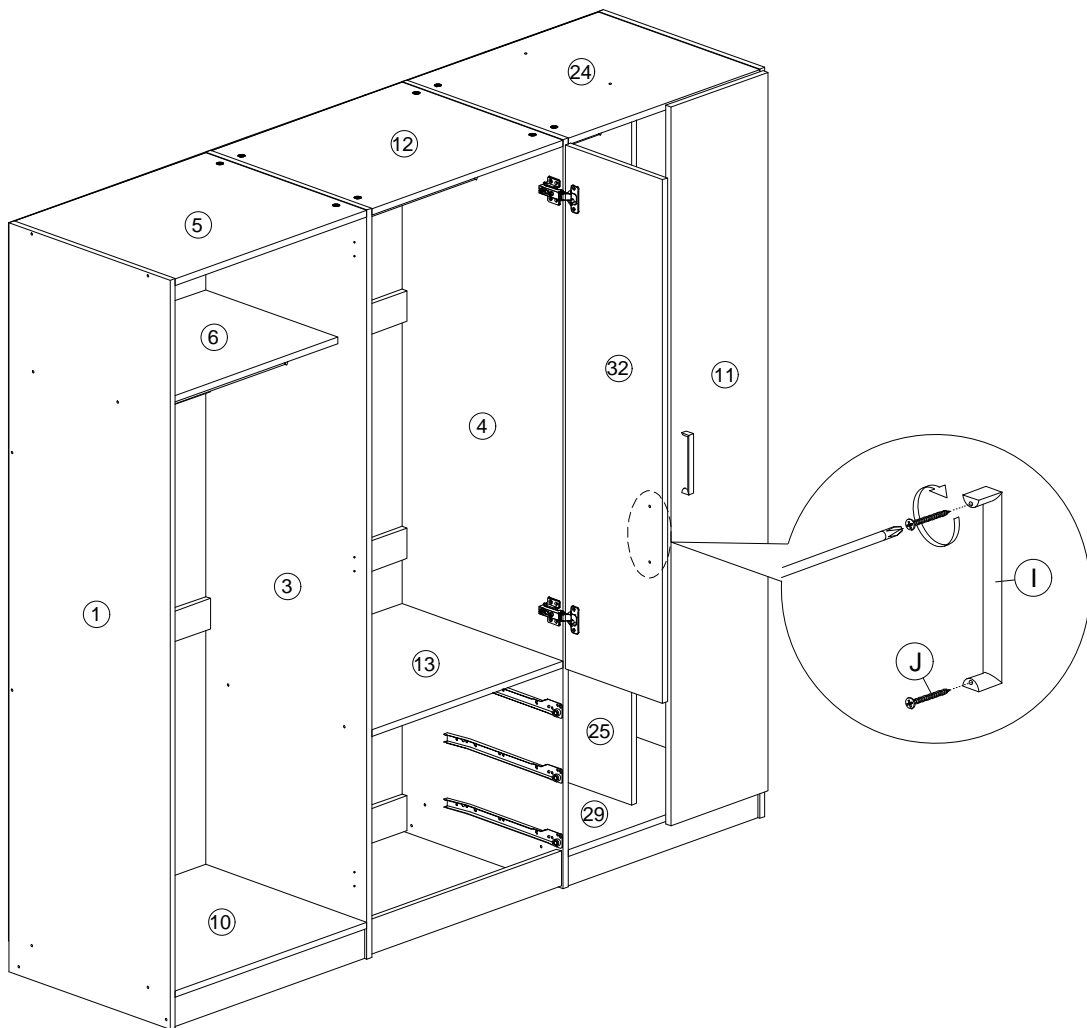


Assembly Instruction

Step 28

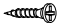
I		Handle KT179.128mm	1Pc
---	---	--------------------	-----

J		M4x28mm Screw	2Pcs
---	---	---------------	------

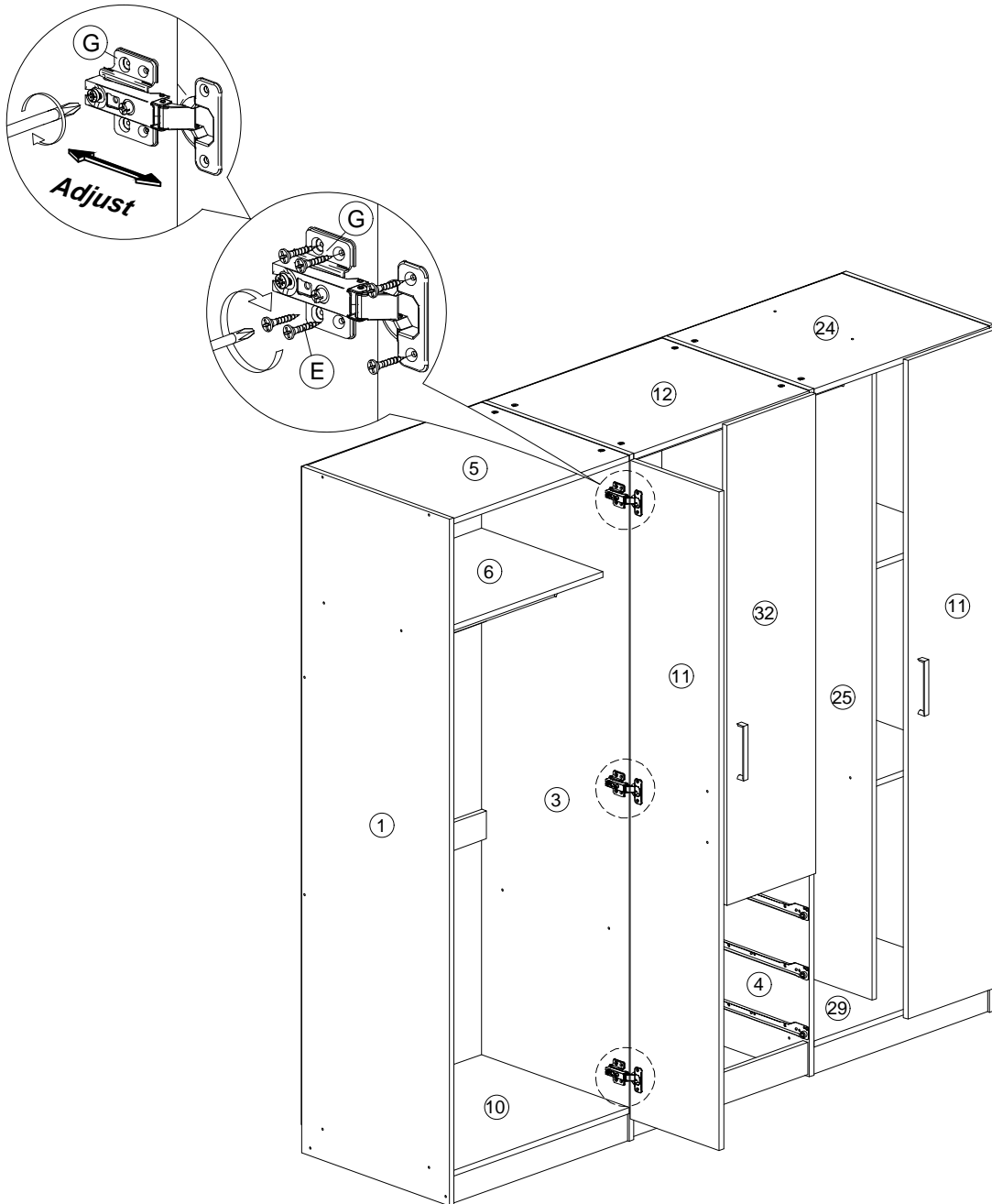


Assembly Instruction

Step 29


E		M3.5x16mm Screw	18Pcs
---	---	-----------------	-------


G		Hinges 2/8	3Pcs
---	---	------------	------

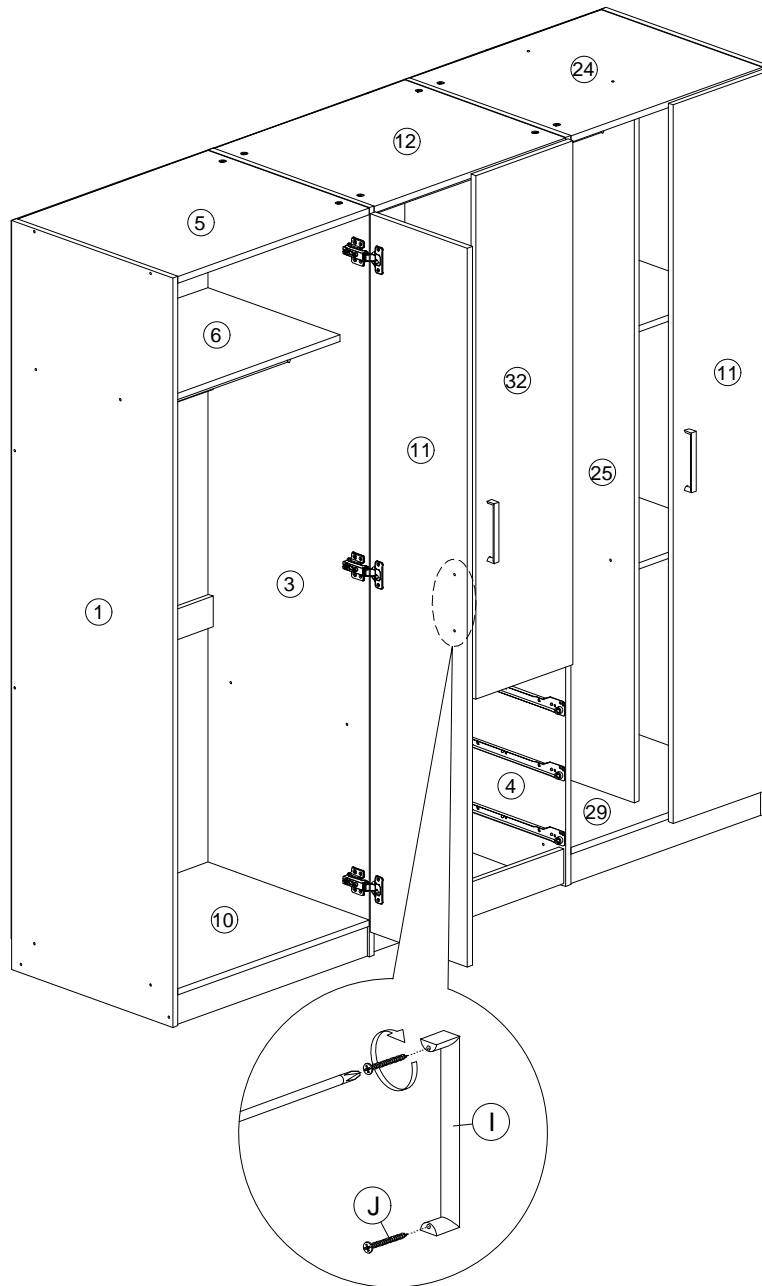


Assembly Instruction

Step 30

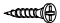
I		Handle KT179.128mm	1Pc
---	---	--------------------	-----


J		M4x28mm Screw	2Pcs
---	---	---------------	------

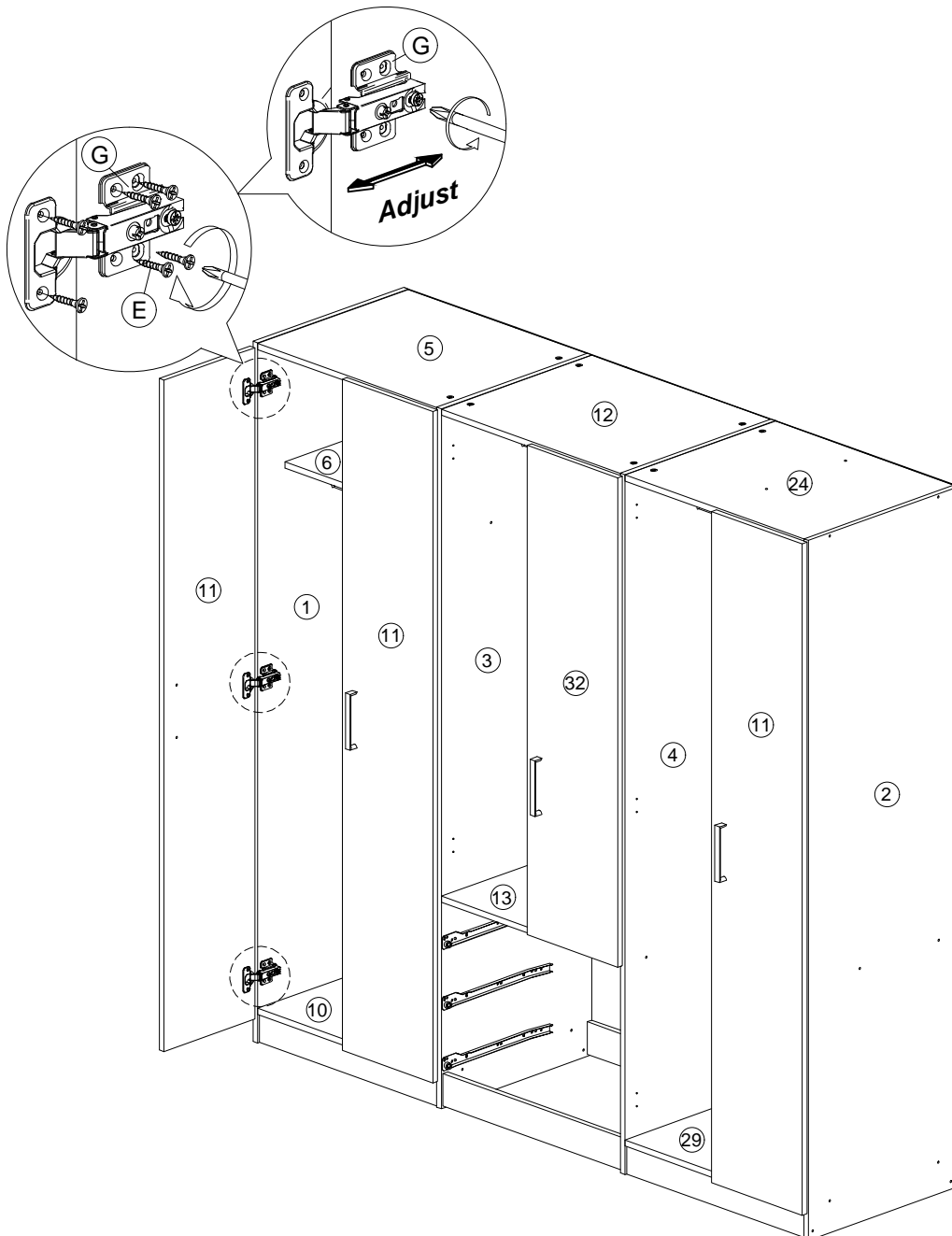


Assembly Instruction

Step 31


E		M3.5x16mm Screw	18Pcs
---	---	-----------------	-------


G		Hinges 2/8	3Pcs
---	---	------------	------

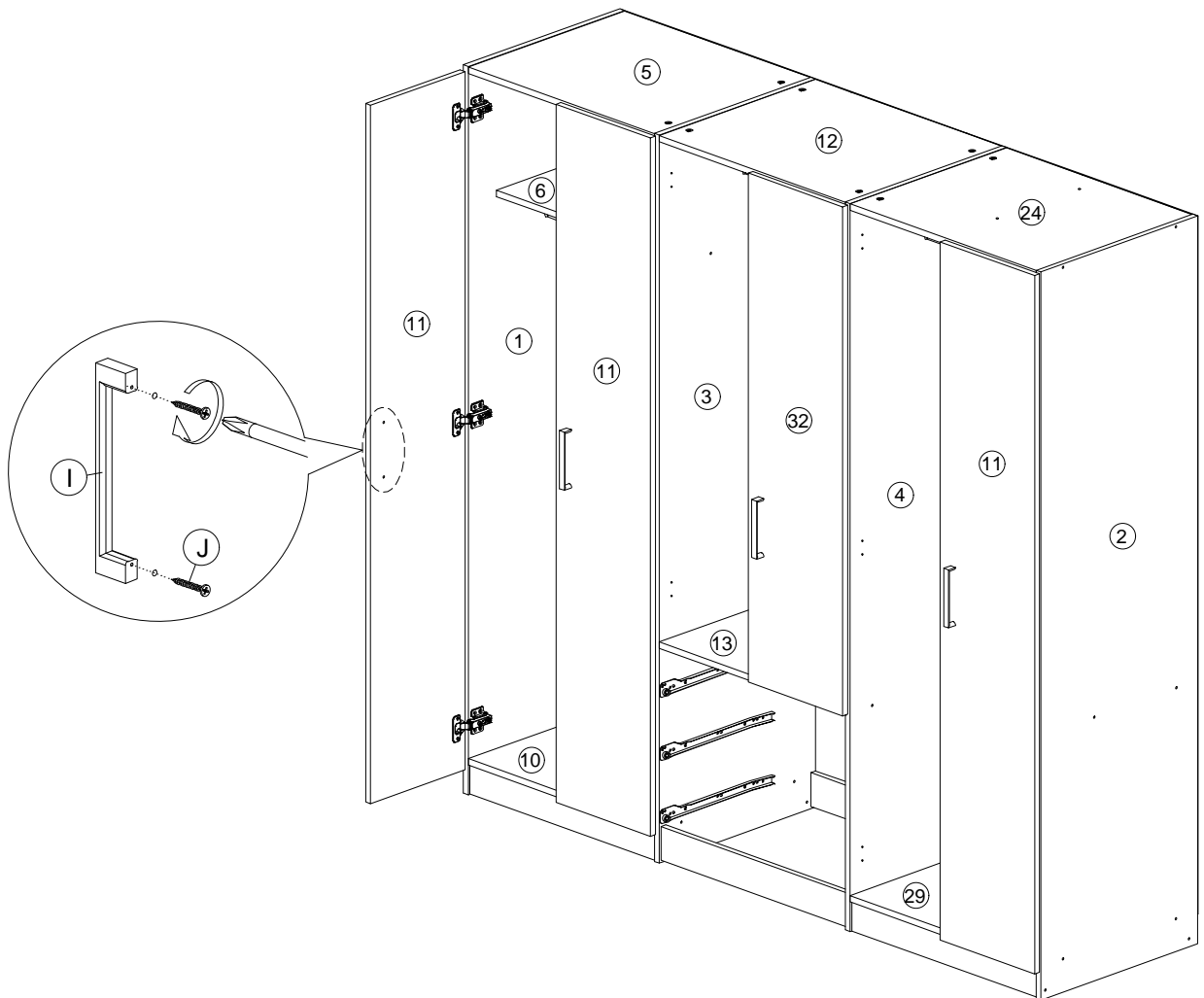


Assembly Instruction

Step 32

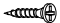
I		Handle KT179.128mm	1Pc
---	---	--------------------	-----


J		M4x28mm Screw	2Pcs
---	---	---------------	------

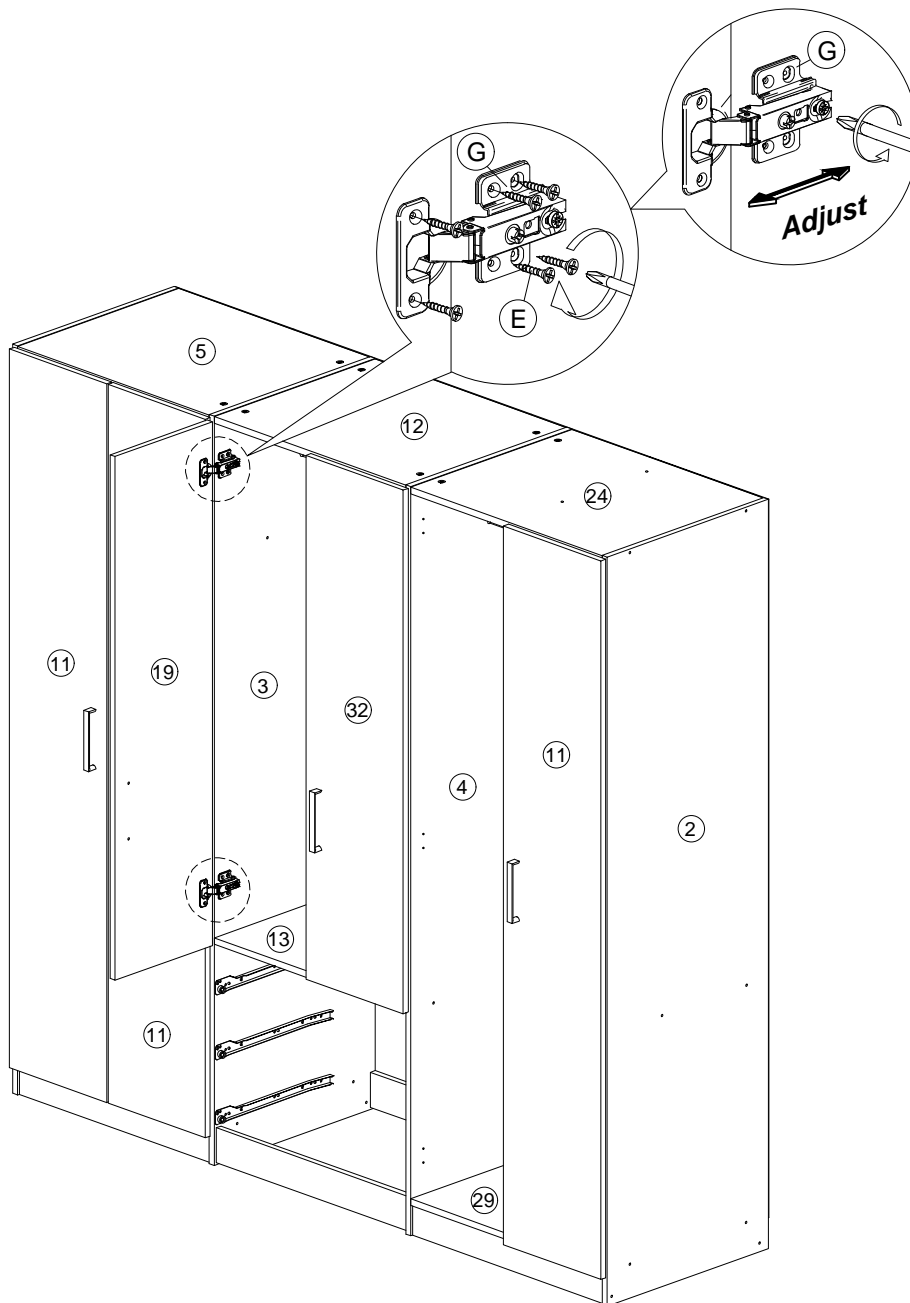


Assembly Instruction

Step 33


E		M3.5x16mm Screw	12Pcs
---	---	-----------------	-------


G		Hinges 2/8	2Pcs
---	---	------------	------

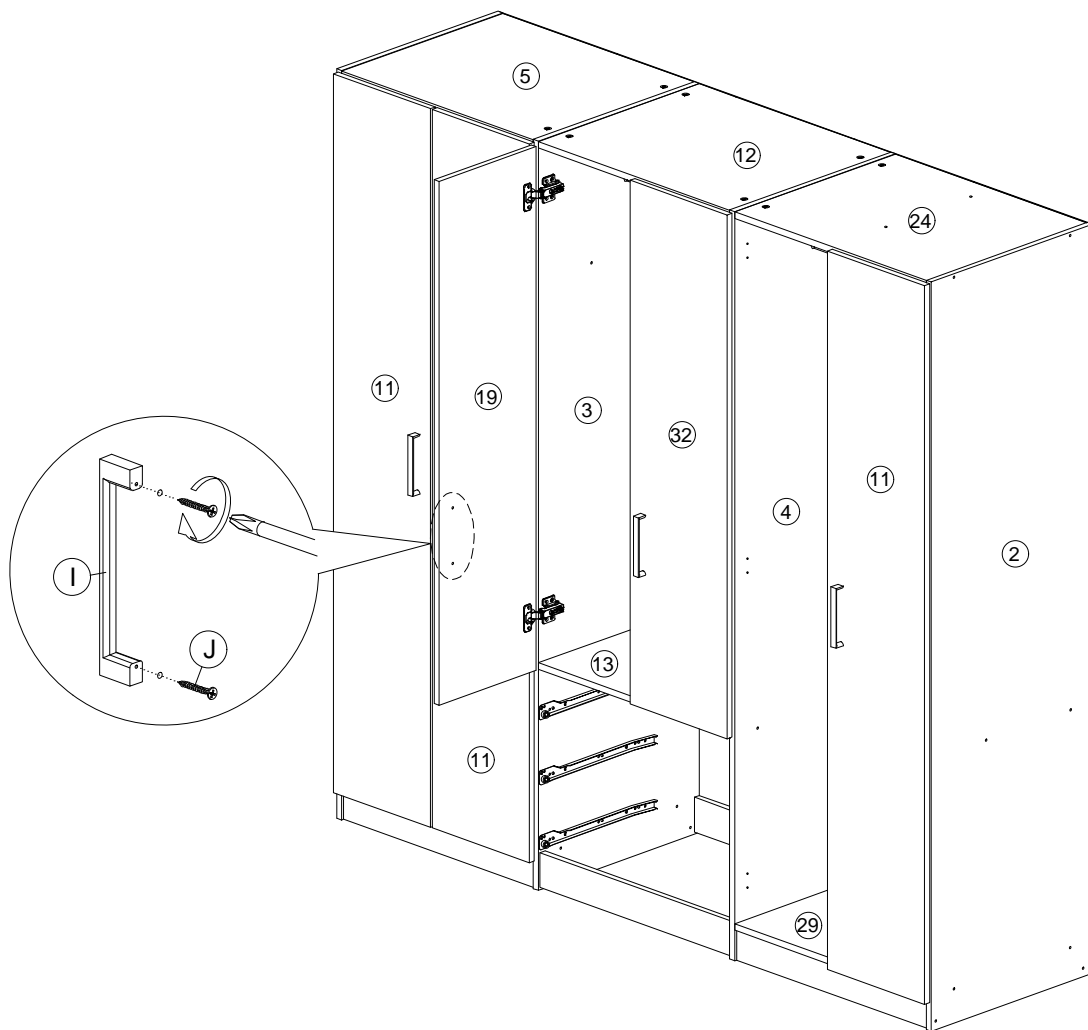


Assembly Instruction

Step 34

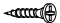
I		Handle KT179.128mm	1Pc
---	---	--------------------	-----


J		M4x28mm Screw	2Pcs
---	---	---------------	------

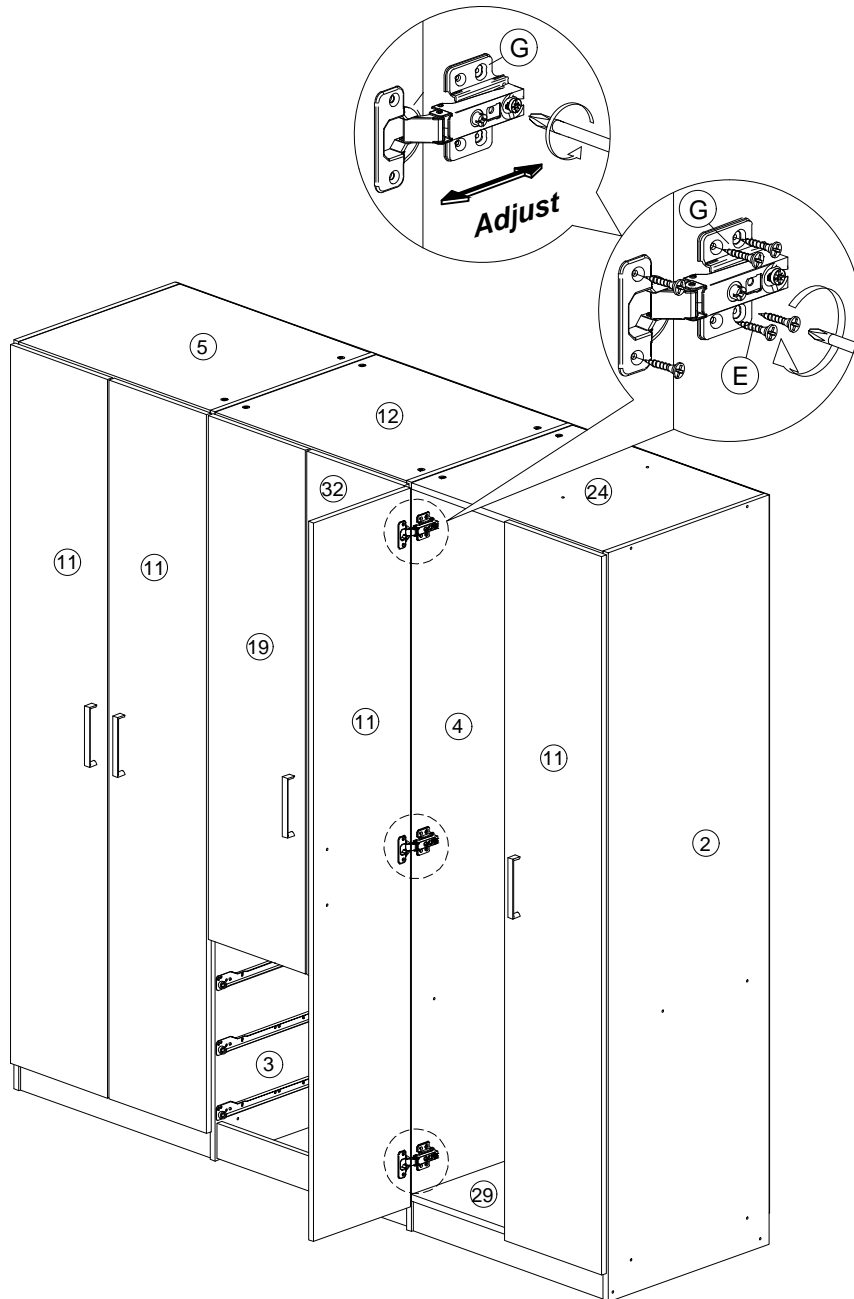


Assembly Instruction

Step 35


E		M3.5x16mm Screw	18Pcs
---	---	-----------------	-------


G		Hinges 2/8	3Pcs
---	---	------------	------

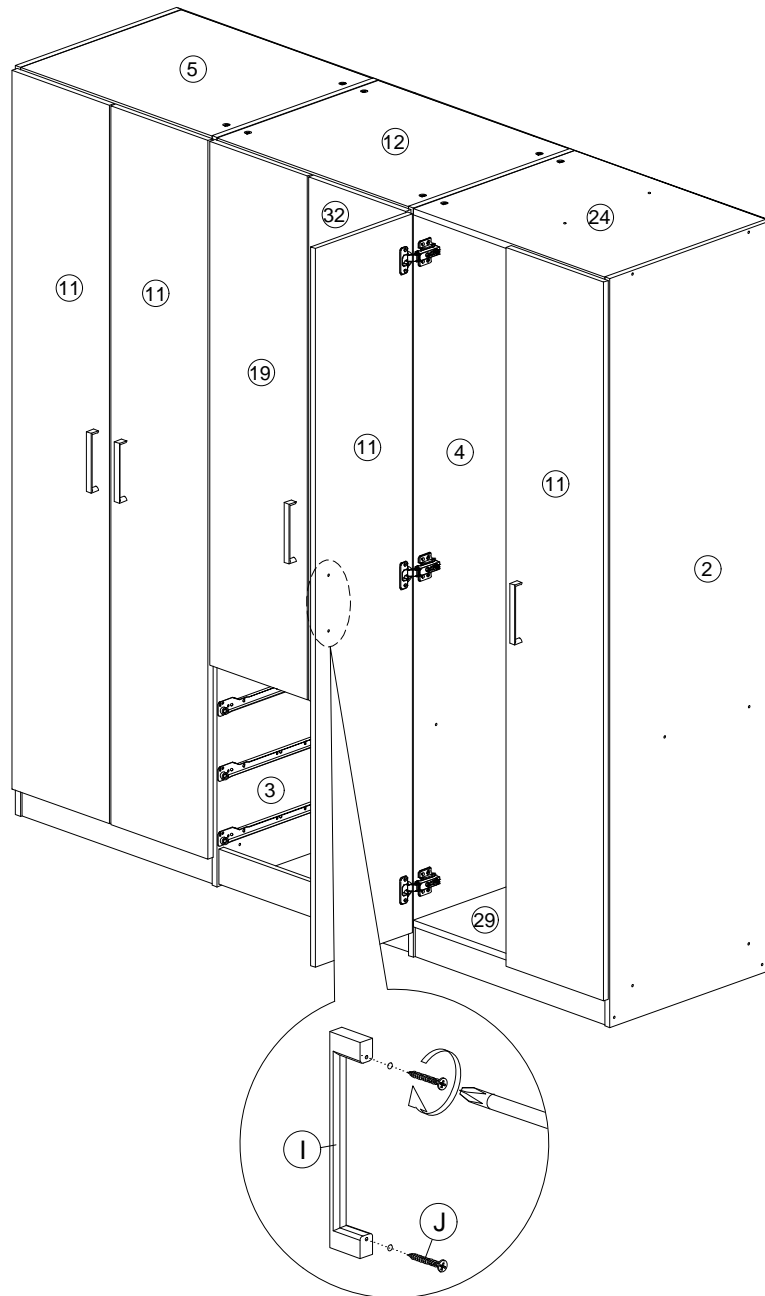


Assembly Instruction

Step 36


I		Handle KT179.128mm	1Pc
---	---	--------------------	-----

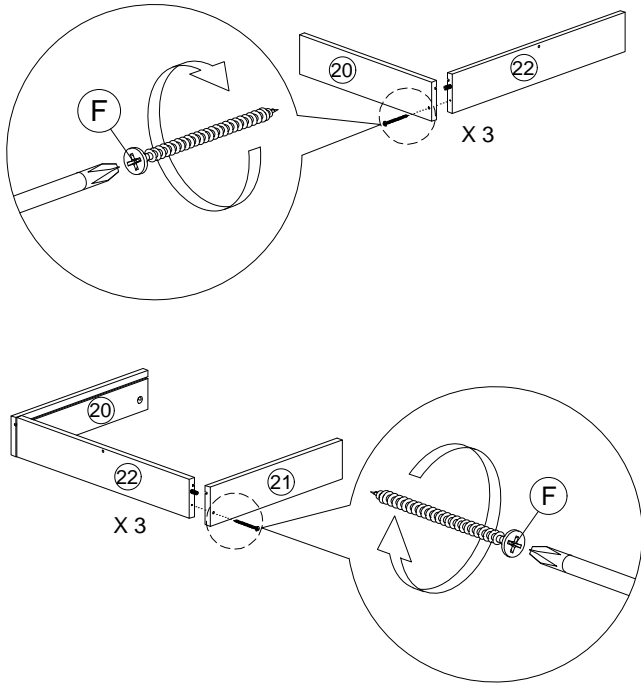
J		M4x28mm Screw	2Pcs
---	---	---------------	------




Assembly Instruction

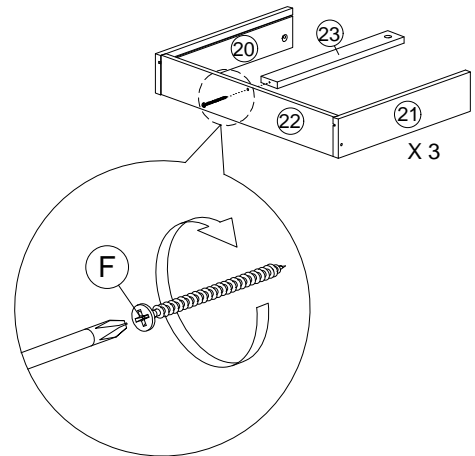
Step 37

F		M4x45mm Screw	6Pcs
---	---	---------------	------

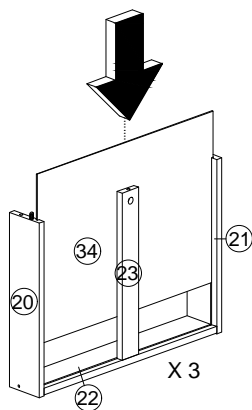


Step 38

F		M4x45mm Screw	3Pcs
---	---	---------------	------

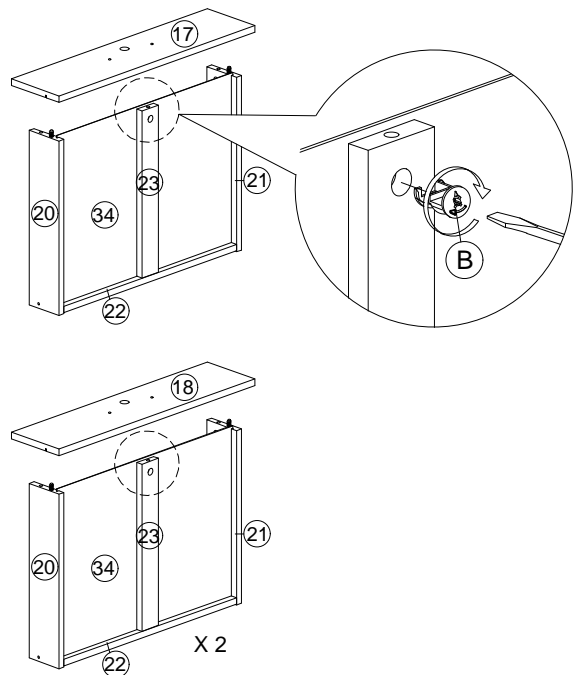


Step 39



Step 40

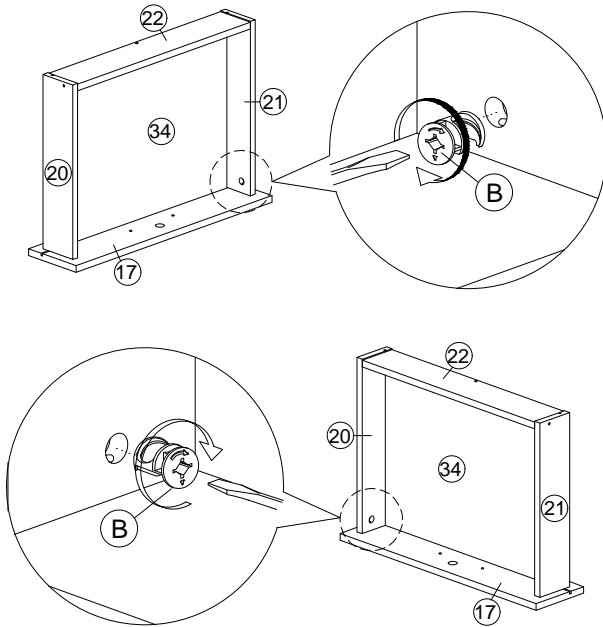
B		Minifix	3Pcs
---	---	---------	------



Assembly Instruction

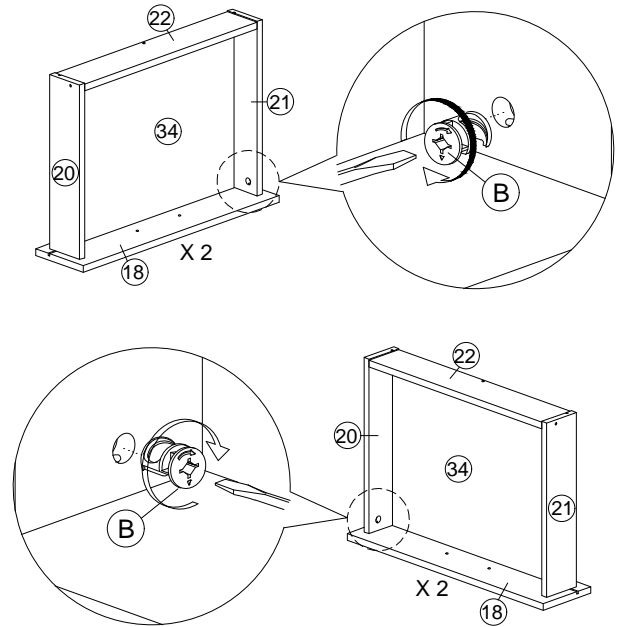
Step 41

B		Minifix	2Pcs
---	---	---------	------





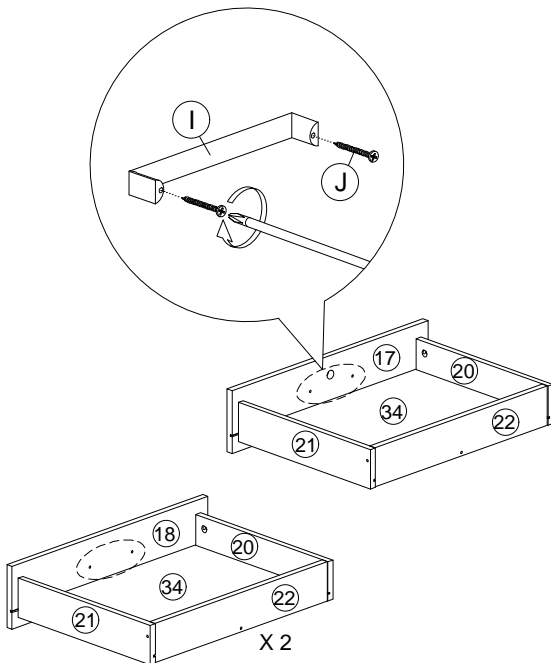
Step 42

B		Minifix	4Pcs
---	---	---------	------

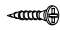



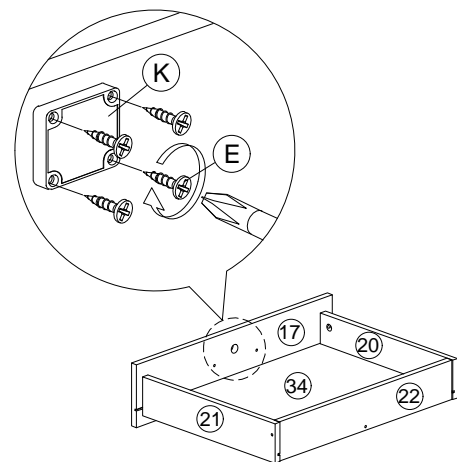
Step 43

I		Handle KT179.128mm	3Pcs
J		M4x28mm Screw	6Pcs



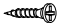
Step 44

E		M3.5x16mm Screw	4Pcs
K		Drawer Lock	1Pc

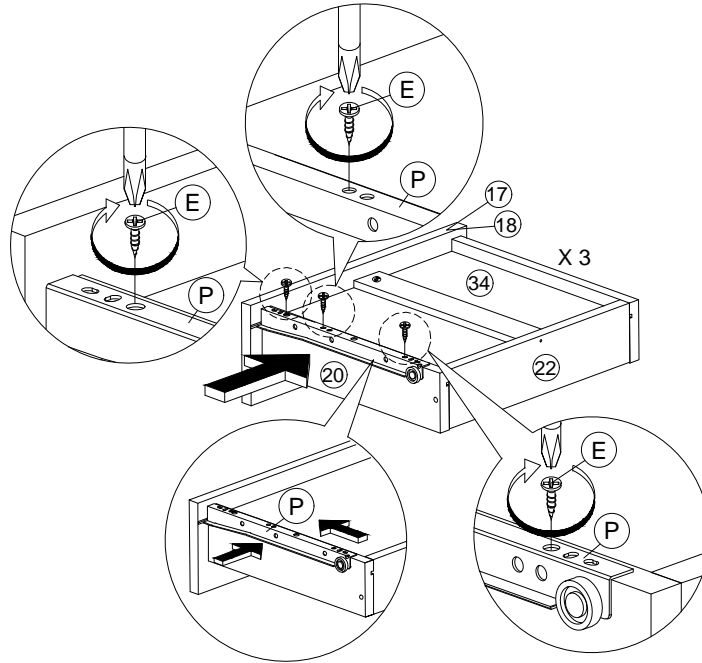


Assembly Instruction

Step 45

E  M3.5x16mm Screw 9Pcs

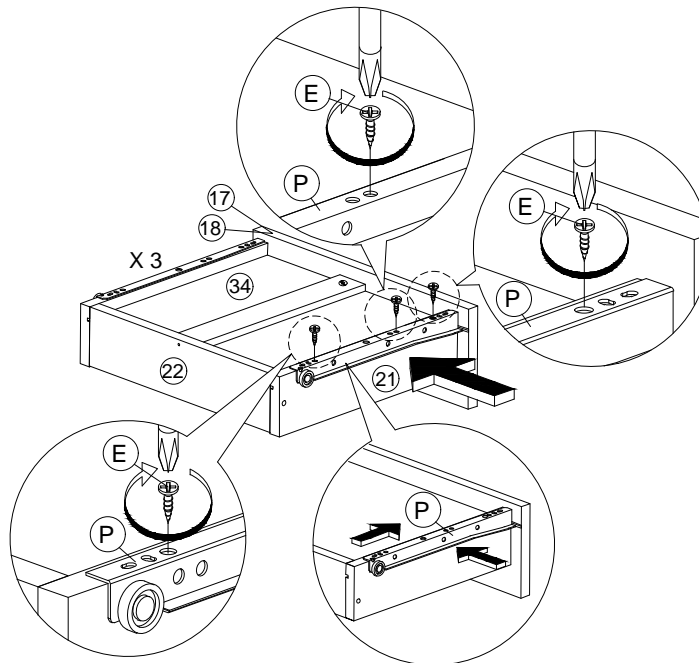
P  Drawer Slide 350mm - R 3Pcs



Step 46

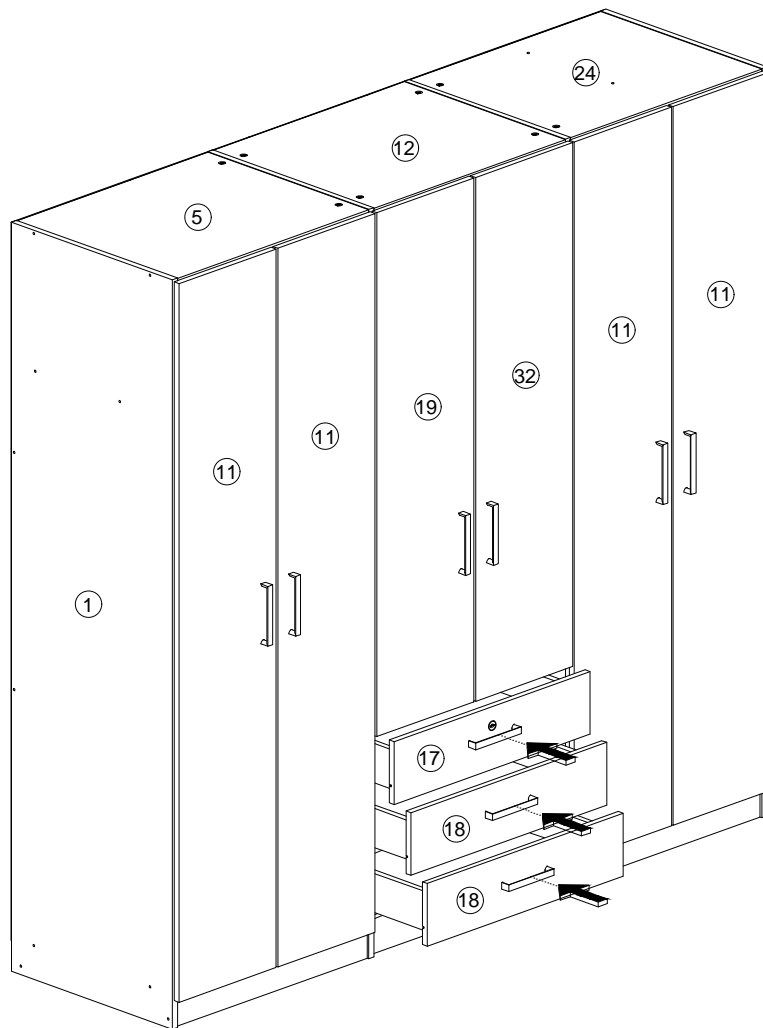
E  M3.5x16mm Screw 9Pcs

P  Drawer Slide 350mm - L 3Pcs



Assembly Instruction

Step 47



FITTING OF ANTI-TIP SAFETY STRAP

STEP 1:

- Attach the mounting bracket (a) to the furniture in the solid part below the top panel a few inches away from the side of the unit.
- Screw (b) through the smallest hole of (a).

STEP 2:

- Locate a stud in behind the have to
- Place the other mounting bracket (a) on the wall stud 2 inches below the mounting bracket secured to the back of your unit.
- Attach to the wall stud using (c) through the smaller hole of (a).

STEP 3:

- Repeat the same step a few inches away from the other side of the unit.
- Place the furniture into position so both mounting brackets are vertically in line.
- Lace the end of the restraint strap through the larger holes in each mounting bracket.
- Secure the straps and lock into place.

