





**SAFETY AND
CARE ADVICE**



NO POWER TOOLS

SAFETY AND CARE ADVICE

- Only clean using a damp cloth and mild detergent, do not use bleach or abrasive cleaners.
- From time to time check that there are no loose screws on this unit
- This product should not be discarded with household waste. Take to your local authority waste disposal centre

IMPORTANT INFORMATION



TWO PERSON

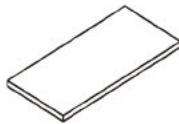


MAXIMUM CAPACITY
100Kg



45 MINUTE
BUILD

PLEASE CHECK CAREFULLY AND MAKE SURE YOU HAVE ALL FITTINGS AND TOOLS LISTED BELOW BEFORE YOU START.



1 Table Top x 1



2 Curved Leg x 1



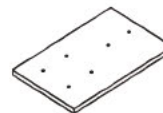
3 Connecting frame x 1







4 Diagonal Leg x 1



5 Curved Leg x 1



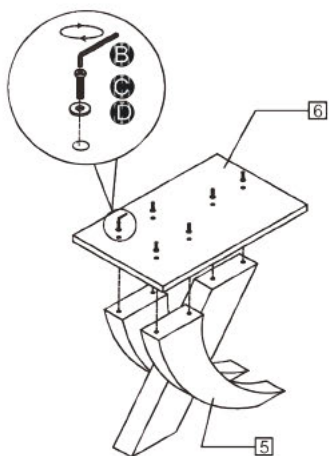
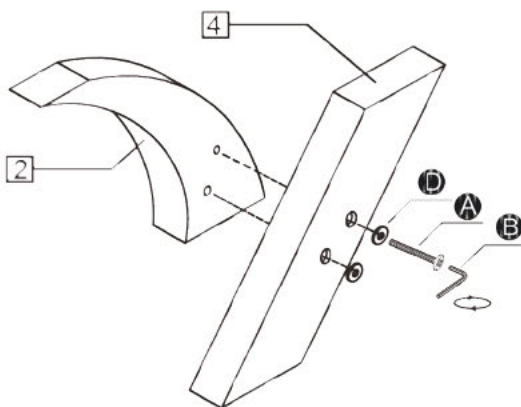
6 Baseplate x 1

<p>A</p>  <p>M8x85mm Long Allen Screw X2</p>	<p>B</p>  <p>M5 mm Allen Key X1</p>	<p>C</p>  <p>M8x30mm Allen Screw X16</p>
<p>D</p>  <p>M8x22mm Metal Washer X18</p>		

NOTE: The quantities above are the correct amount to complete the assembly.
In some cases more fittings may be supplied than are required.

STEP 1

Carefully place the Long allen screw and metal washer D into the two holes of frame [4] and [2]. Tighten using Allen Key B.

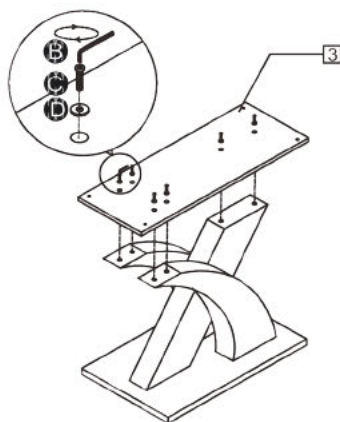


STEP 2

Place part [2], [4] and [5] down onto a clear flat surface. Carefully align the base plate [6] onto part [2], [4] and [5] secure using fixings and tighten using allen key B.

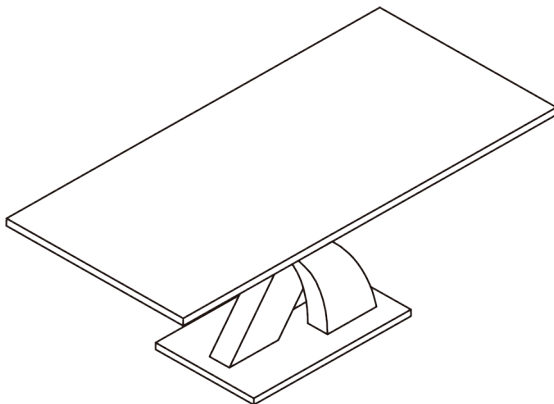
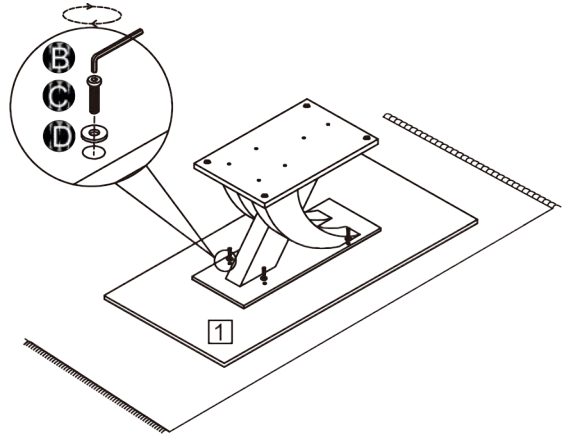
STEP 3

ATTENTION: With help, turn the stand around. Carefully align the connecting frame [3] with parts [2], [4] & [5]. Secure using fixings C and D. Tighten using allen key .



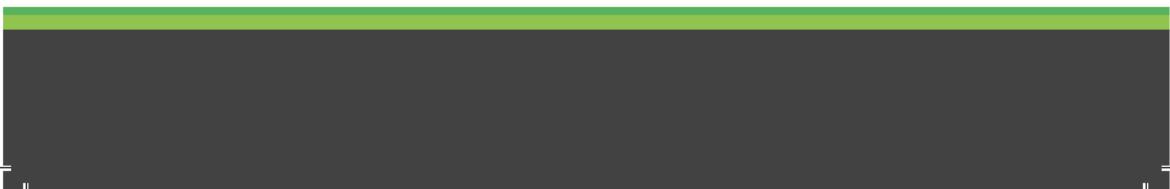
STEP 4

ATTENTION: With help, place the table top [1], upside down onto a clear flat surface. Carefully align the table frame onto table top [1] and secure using fixings C and D. Tighten using allen key B.



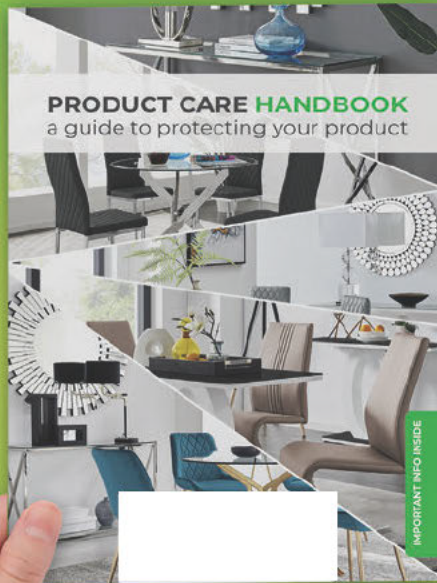
STEP 5

ATTENTION: With help, turn the table around to complete assembly



LOOKING GOOD!

Now you've assembled your product find out how to care for your item and keep it looking brand new.





OUR 1 YEAR GUARANTEE

our products come with a 1 year guarantee to give you peace of mind shopping at Furniturebox



WHAT THE GUARANTEE COVERS



PRE-INSERTED FIXINGS
e.g. lose metal threads



FAULTY JOINTS
e.g. legs bending



EXTERNAL FIXING FAULTS
e.g. metal discs removing
from table top



STRUCTURAL INTEGRITY
e.g. the frame of the
product