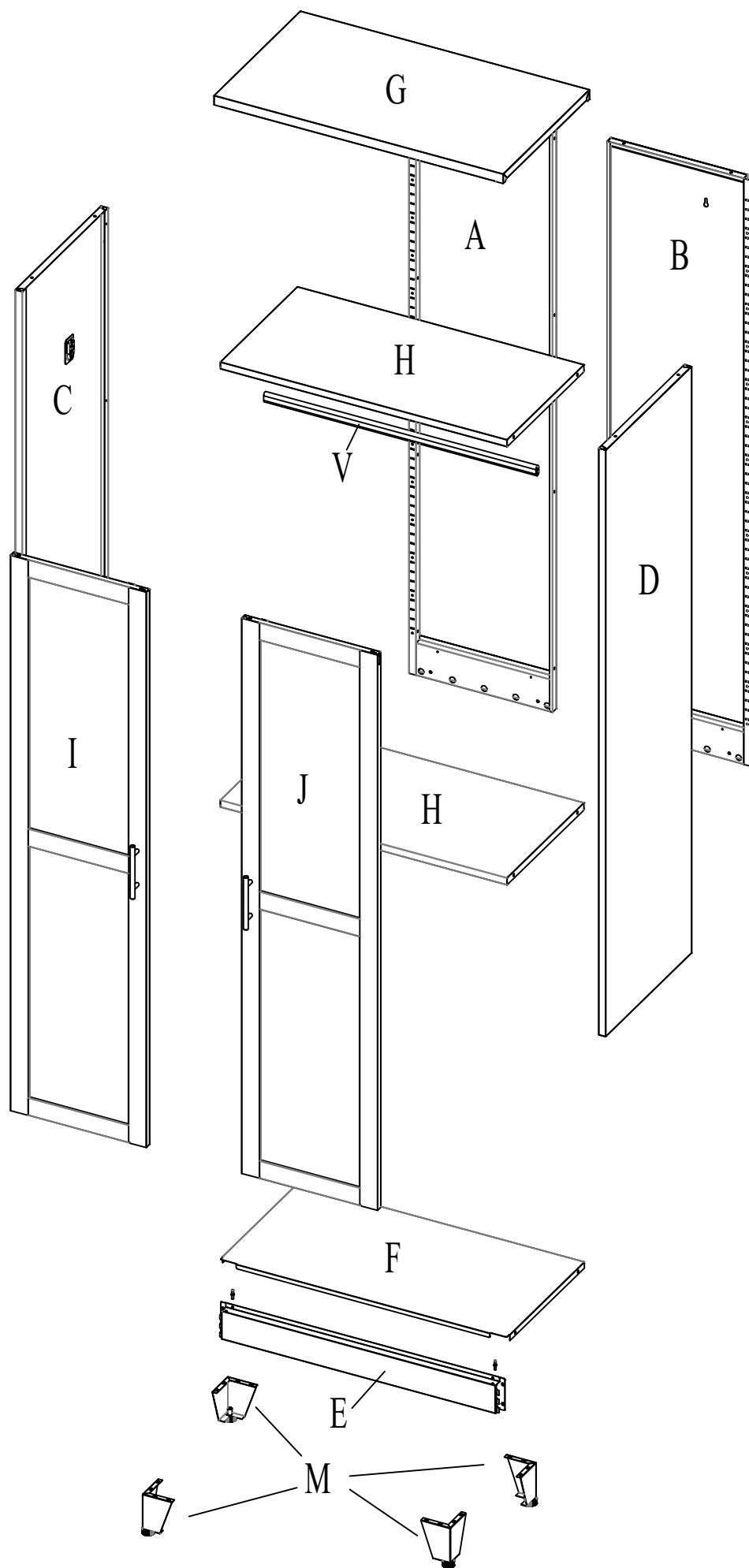
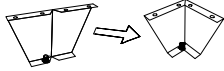


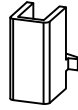
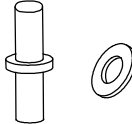
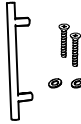
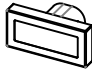
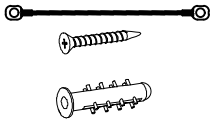



Important!

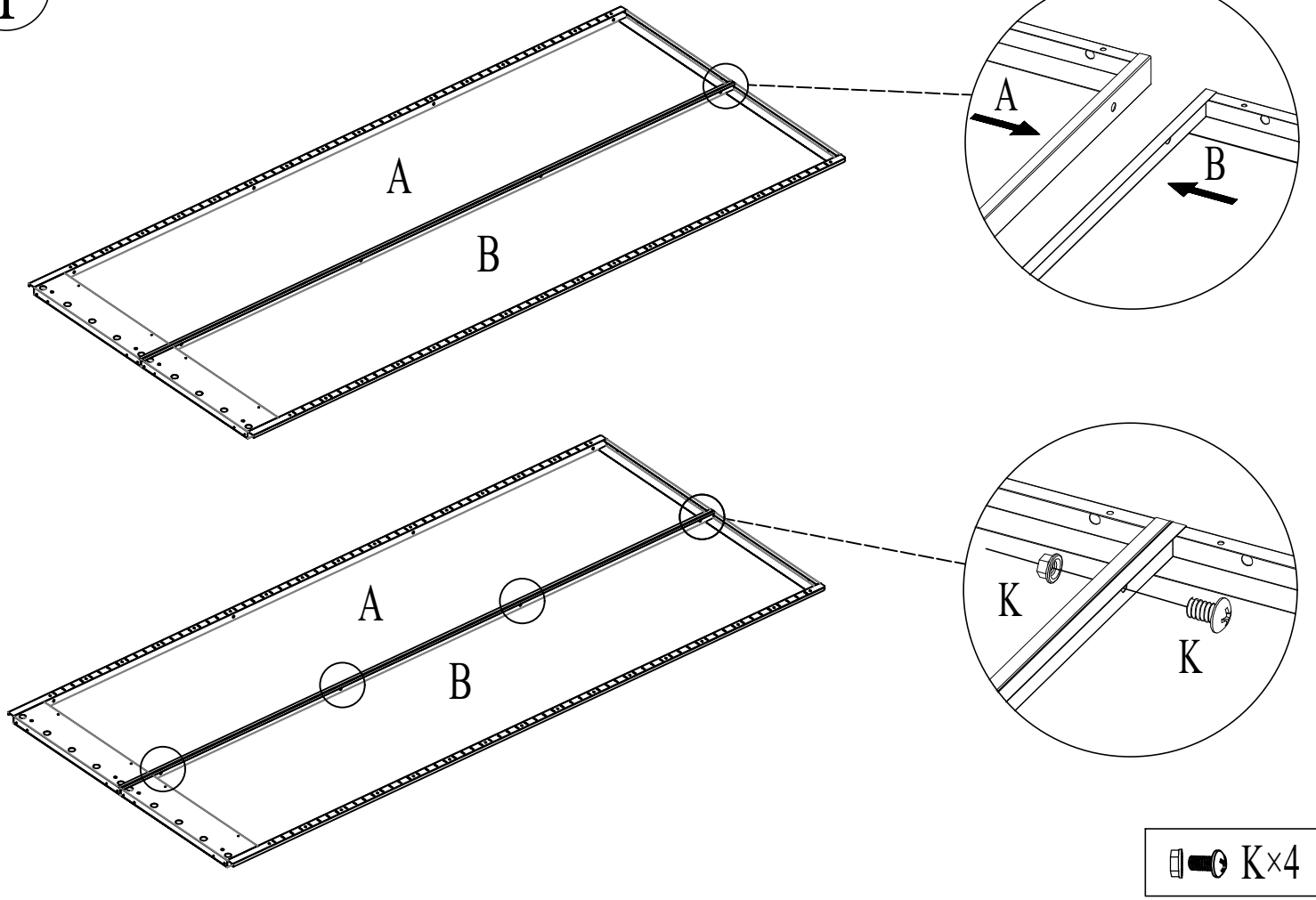
Thank you for your purchase. Please open it carefully.

If you encounter any problems, please contact us.

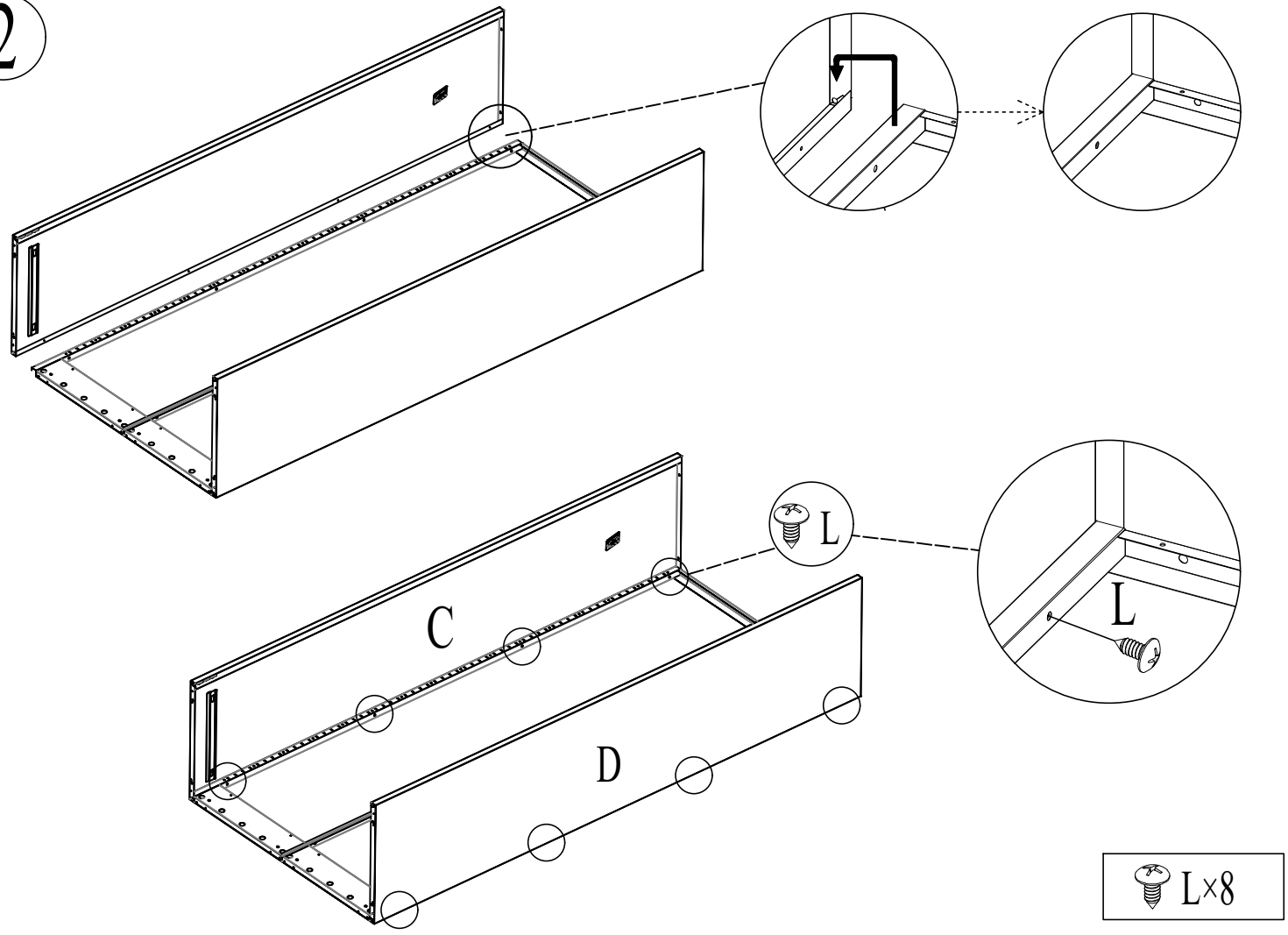


PARTS LIST		LISTEDESPIECES			LISTADEPIEZAS			
Nom Nombre	Part Piece Pieza	Qty Qte	Spare	Name Nom Nombre	Part Piece Pieza	Qty Qte	Spare	
A	Left Back Panel	1		M	Standing leg		4	
B	Right Back Panel	1		N	Adjustable foot		4	
C	Left Side	1		O	Shelf Support		8	2
D	Right Side	1		P	Laminate fastening buckle		8	2
E	Kick Plate	1		Q	Door Pivot Pin Shim\		2	2
F	Bottom Panel	1		R	Haft		2	
G	Top Panel	1		S	magnet		4	
H	Shelves	2		T	Set screw		1	
I	Left Door	1		V	Clothes rail		1	
J	Right Door	1						
K	13/32"Screw	4						
L	13/32"Screw	41	2					

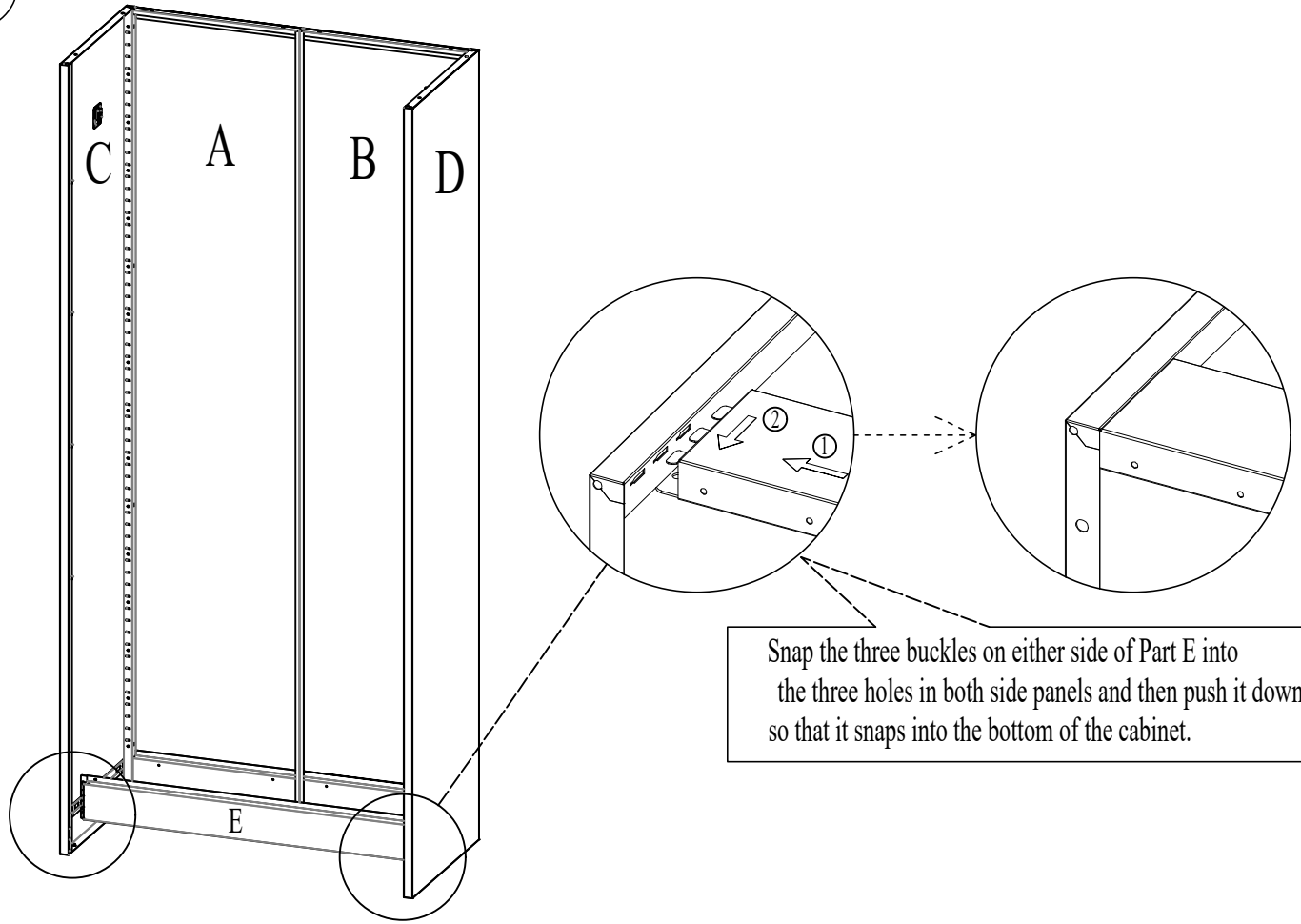
1



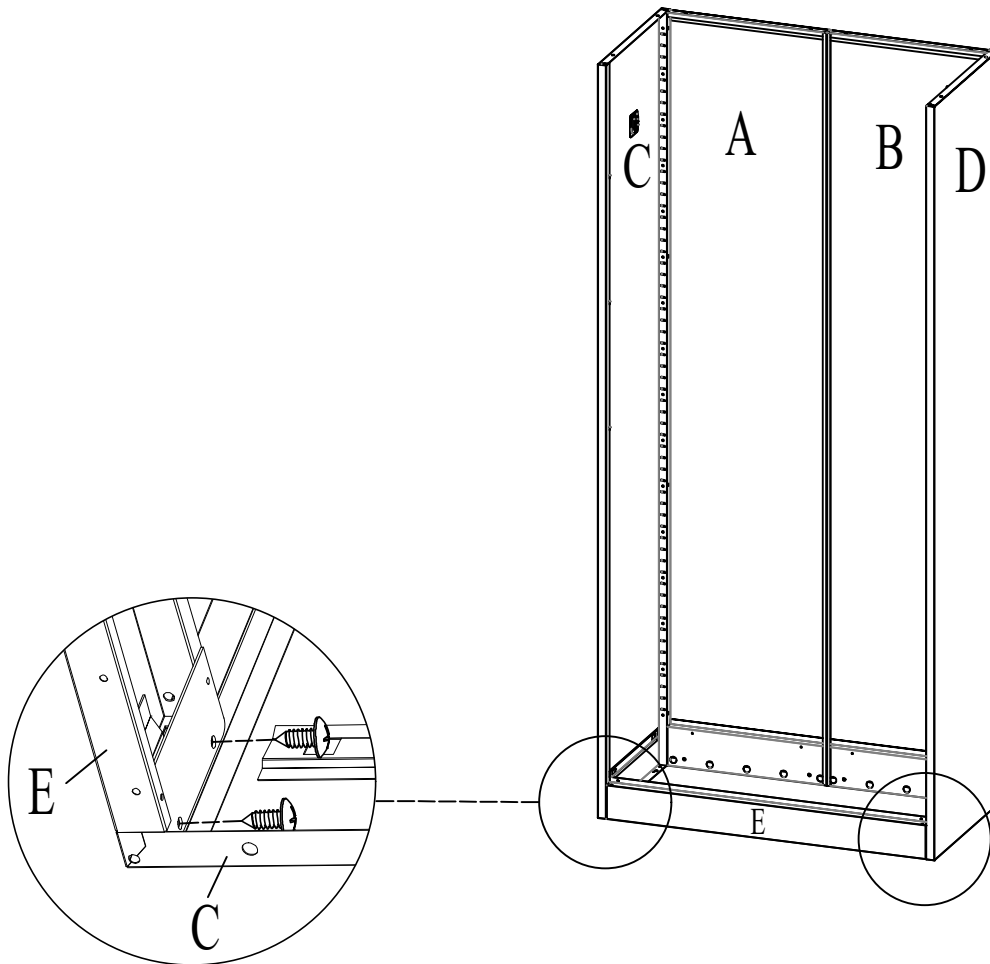
2



3

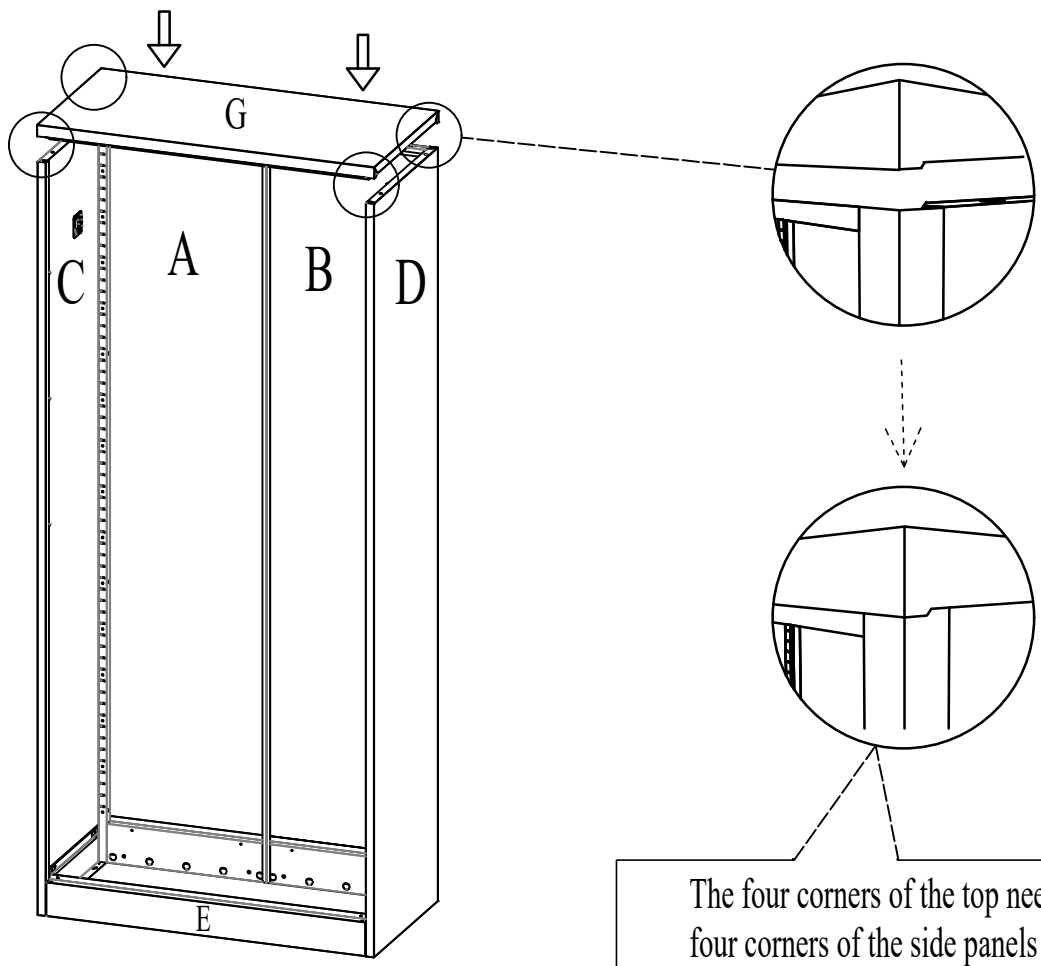


4



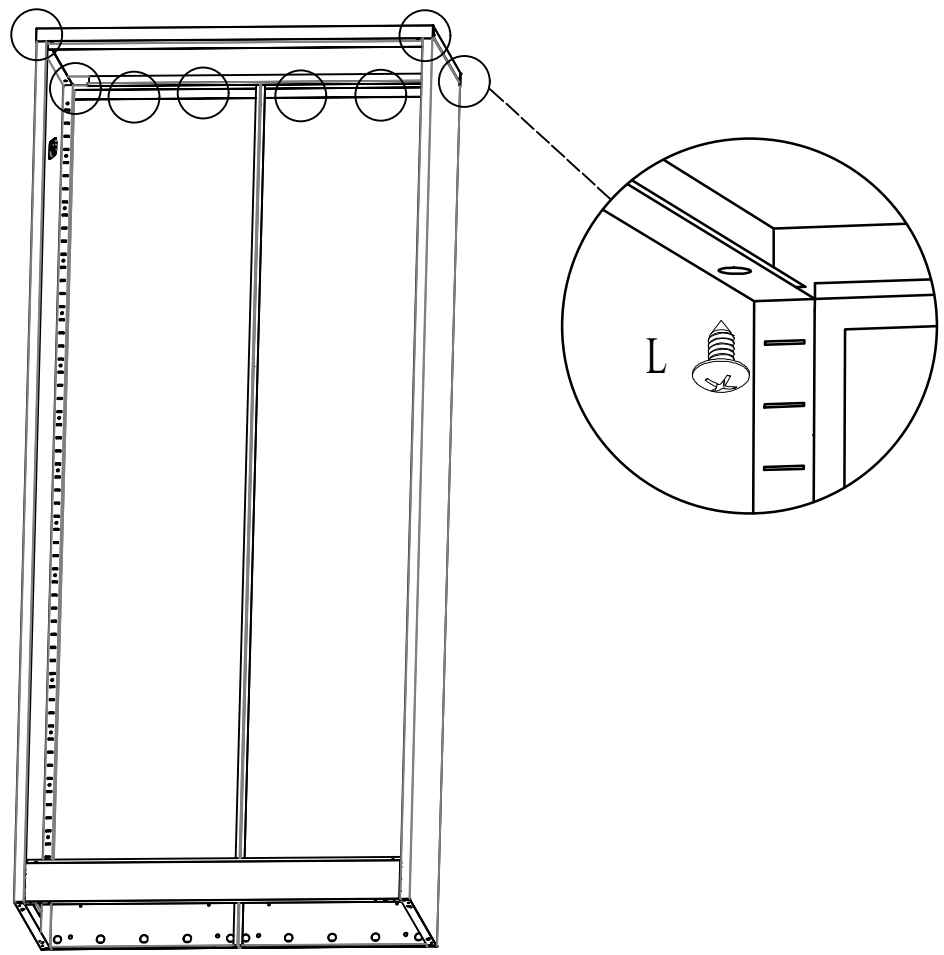
 Lx4

5



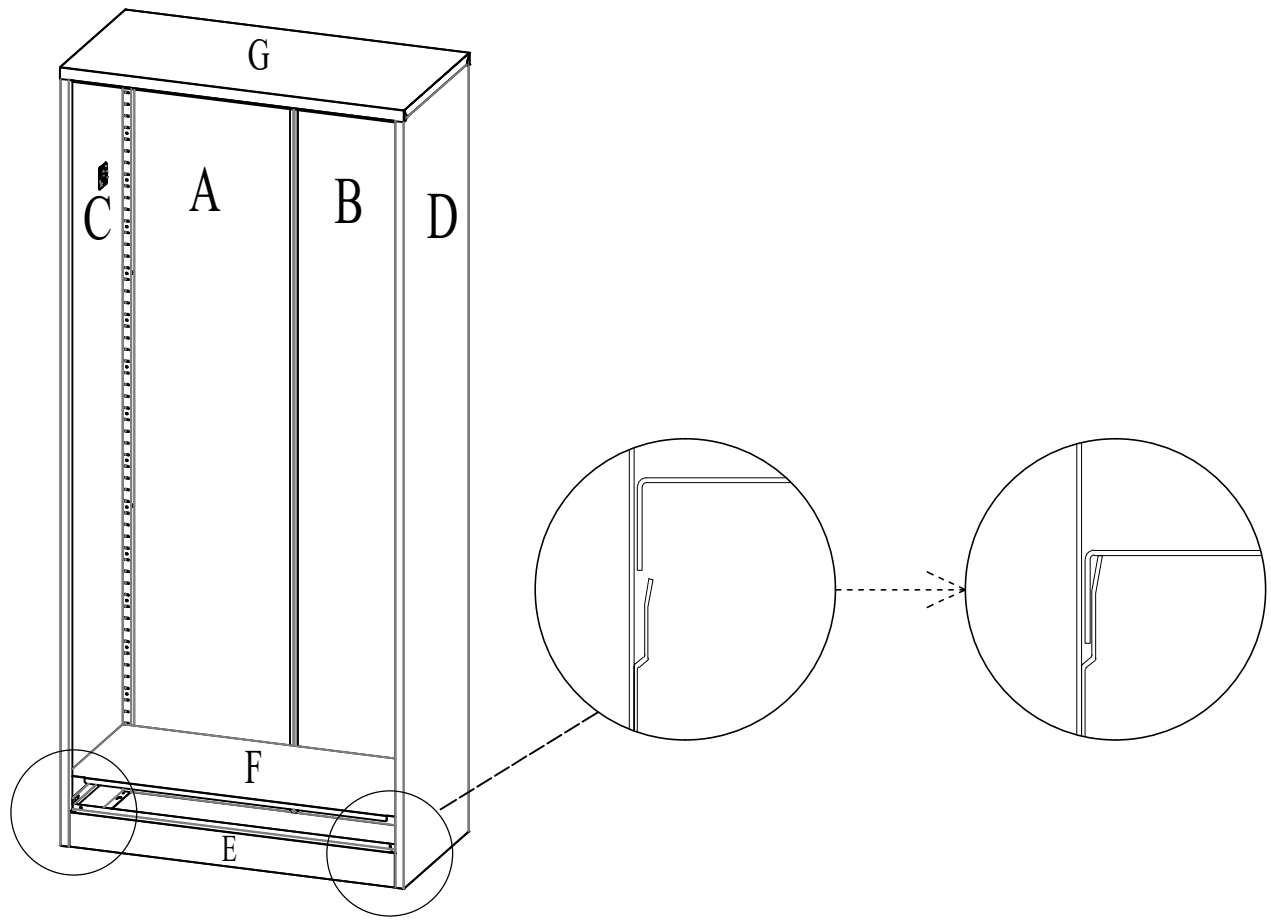
The four corners of the top need to include the four corners of the side panels

6

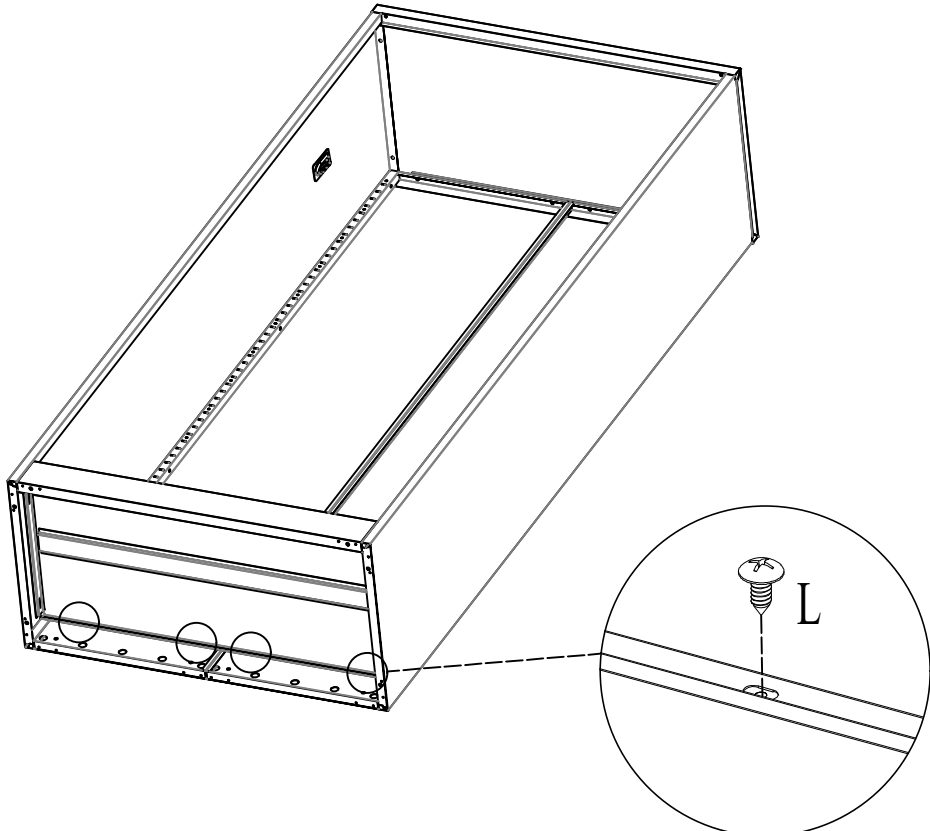


 Lx8

7

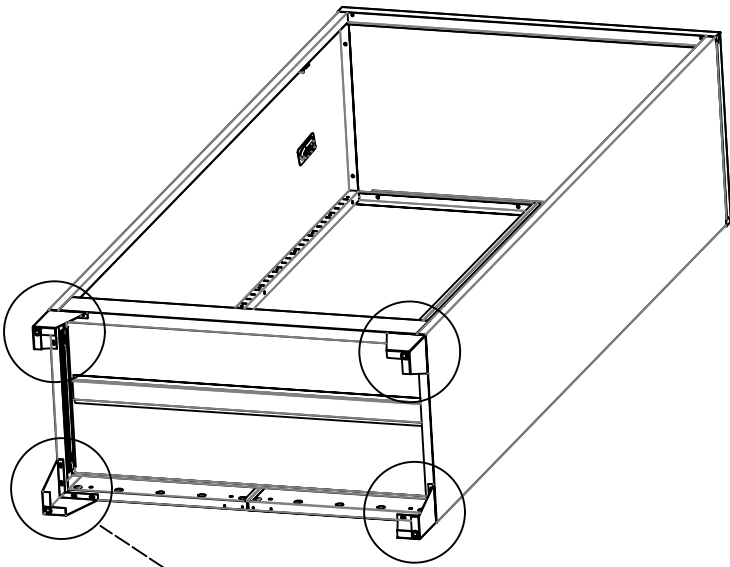


8

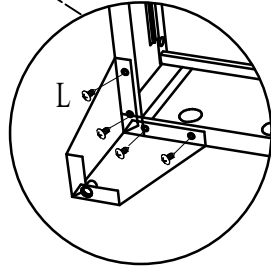
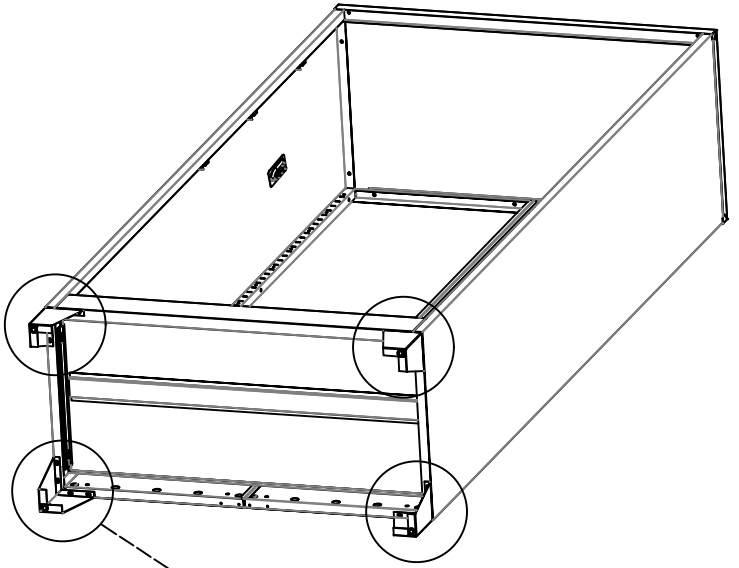
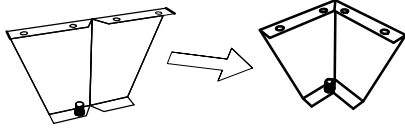


 Lx4

9



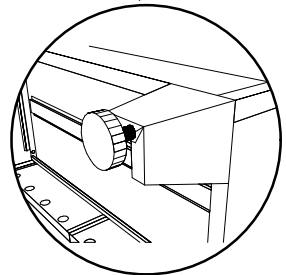
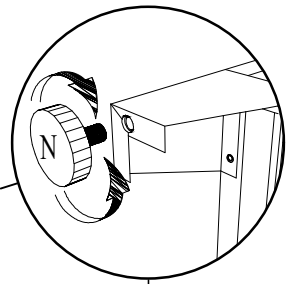
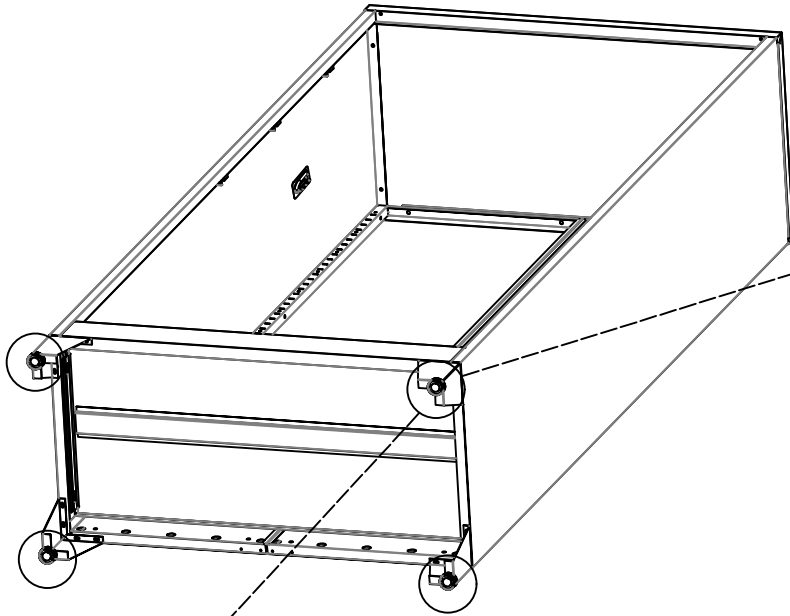
M




If you think it looks better without the standing corner, you can choose to skip this step (9) and the next step (10)

 L×16

10

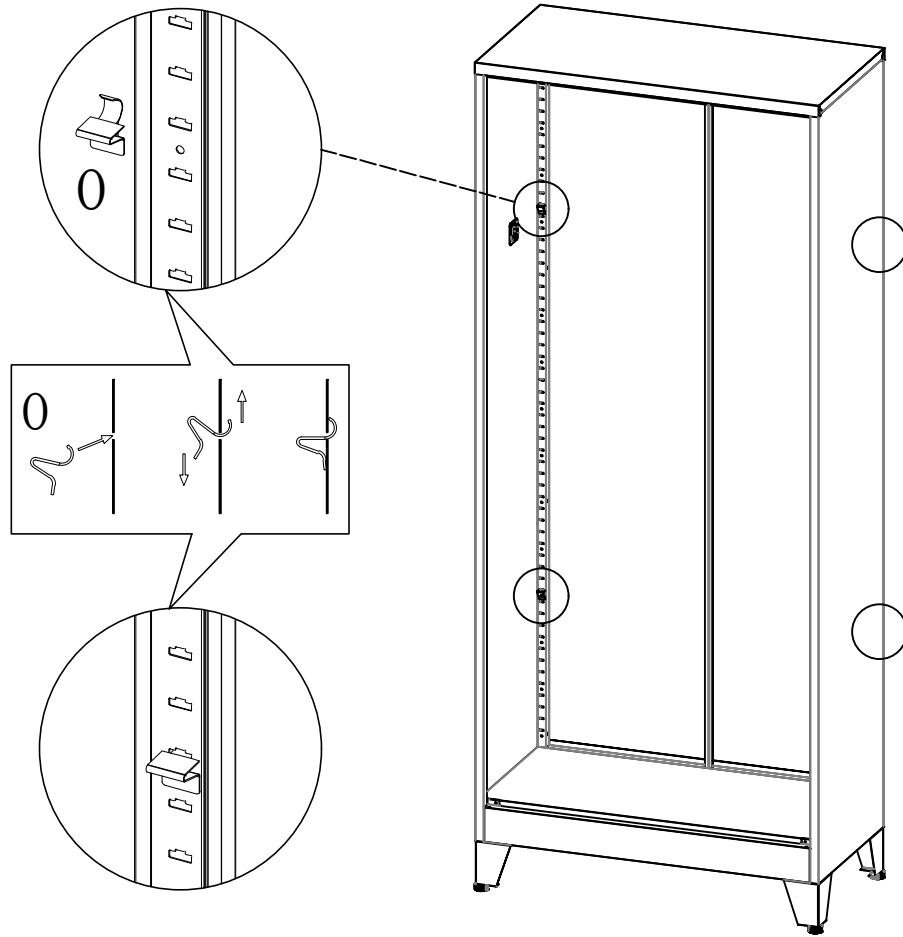


N

 N×4

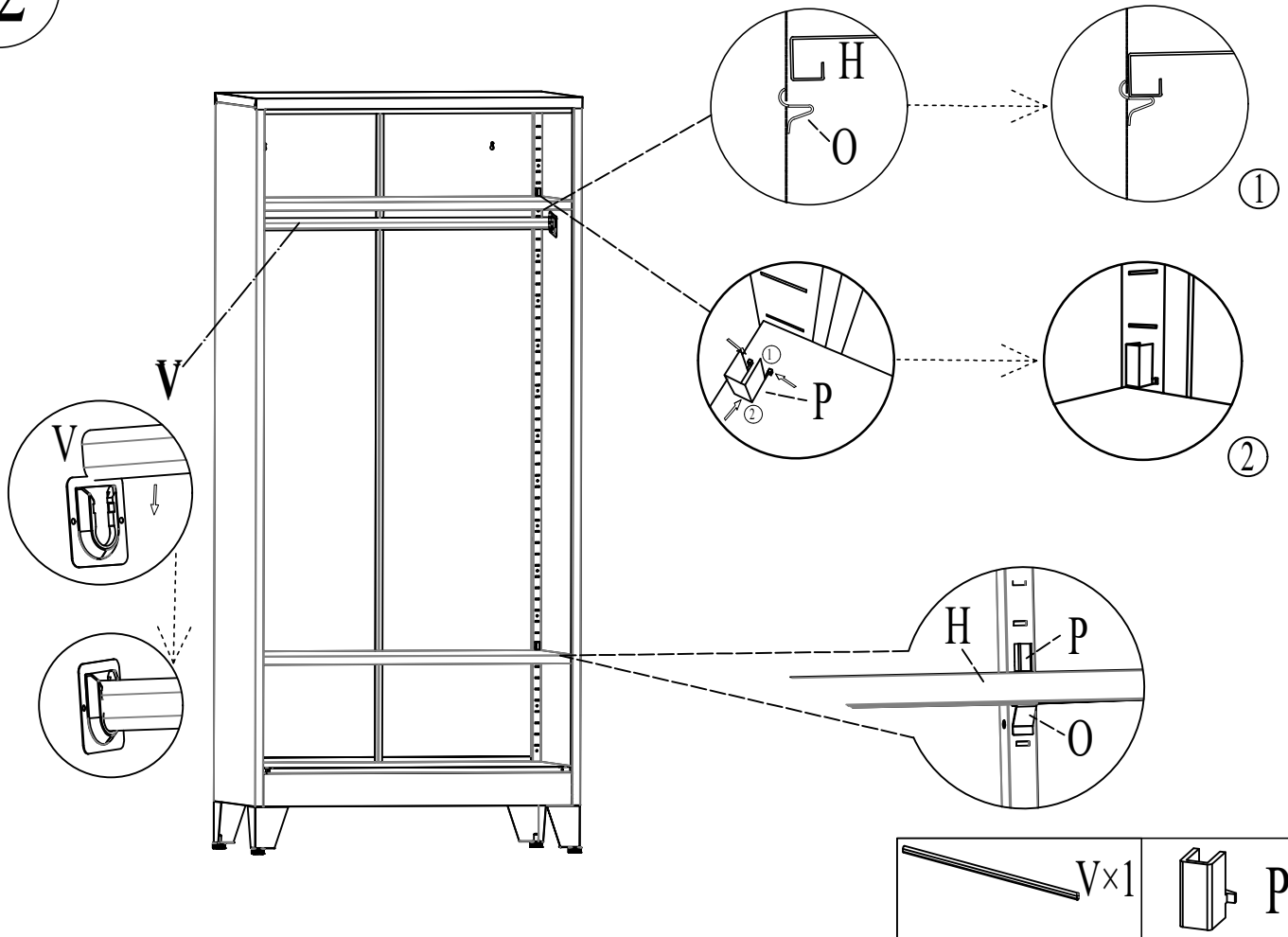
11

Adjust the height of the partition according to user needs



0x8

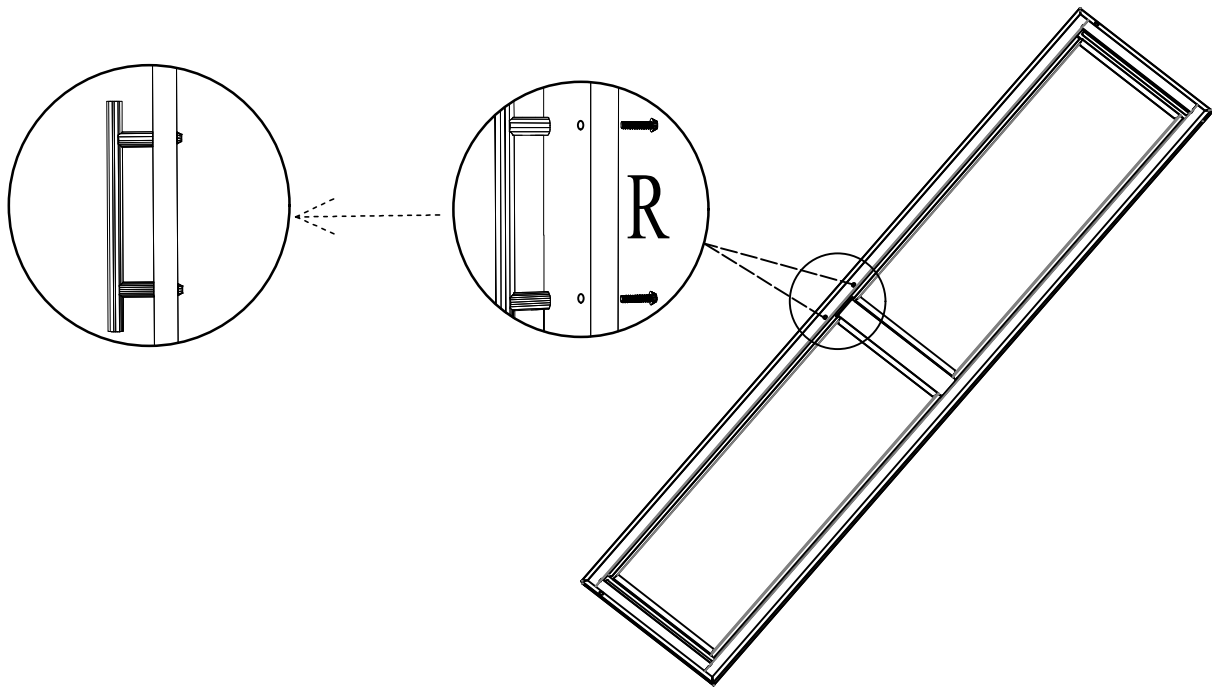
12



Vx1

Px8

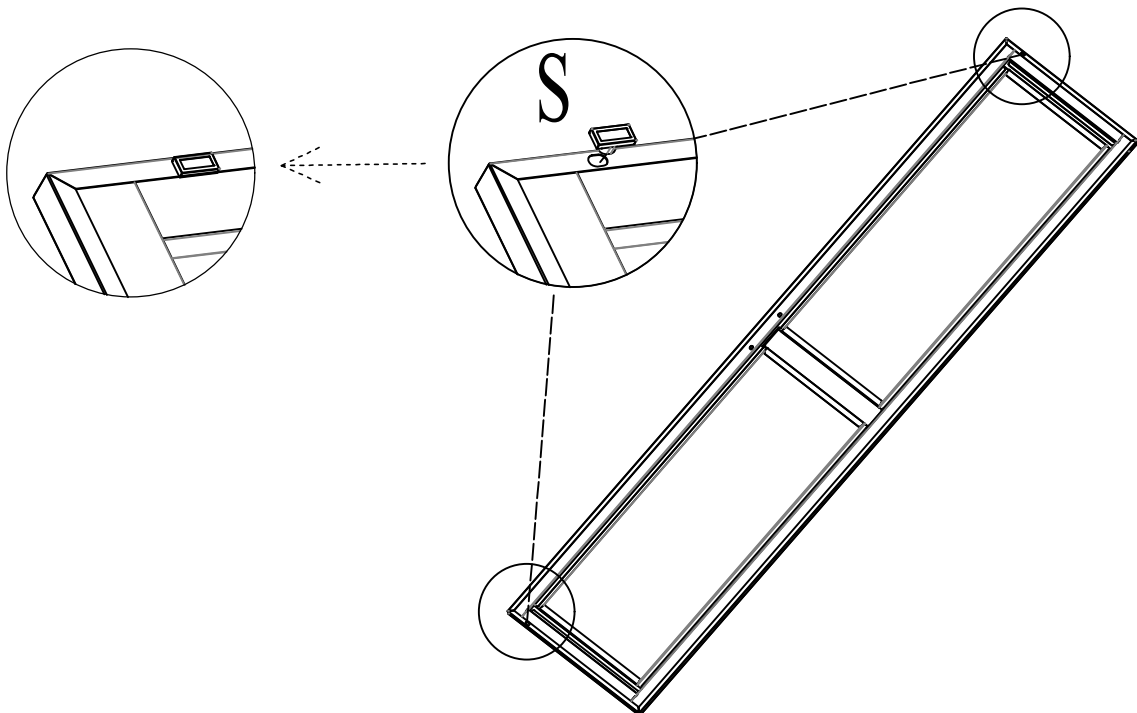
13



Follow this step to install other door panels R *2



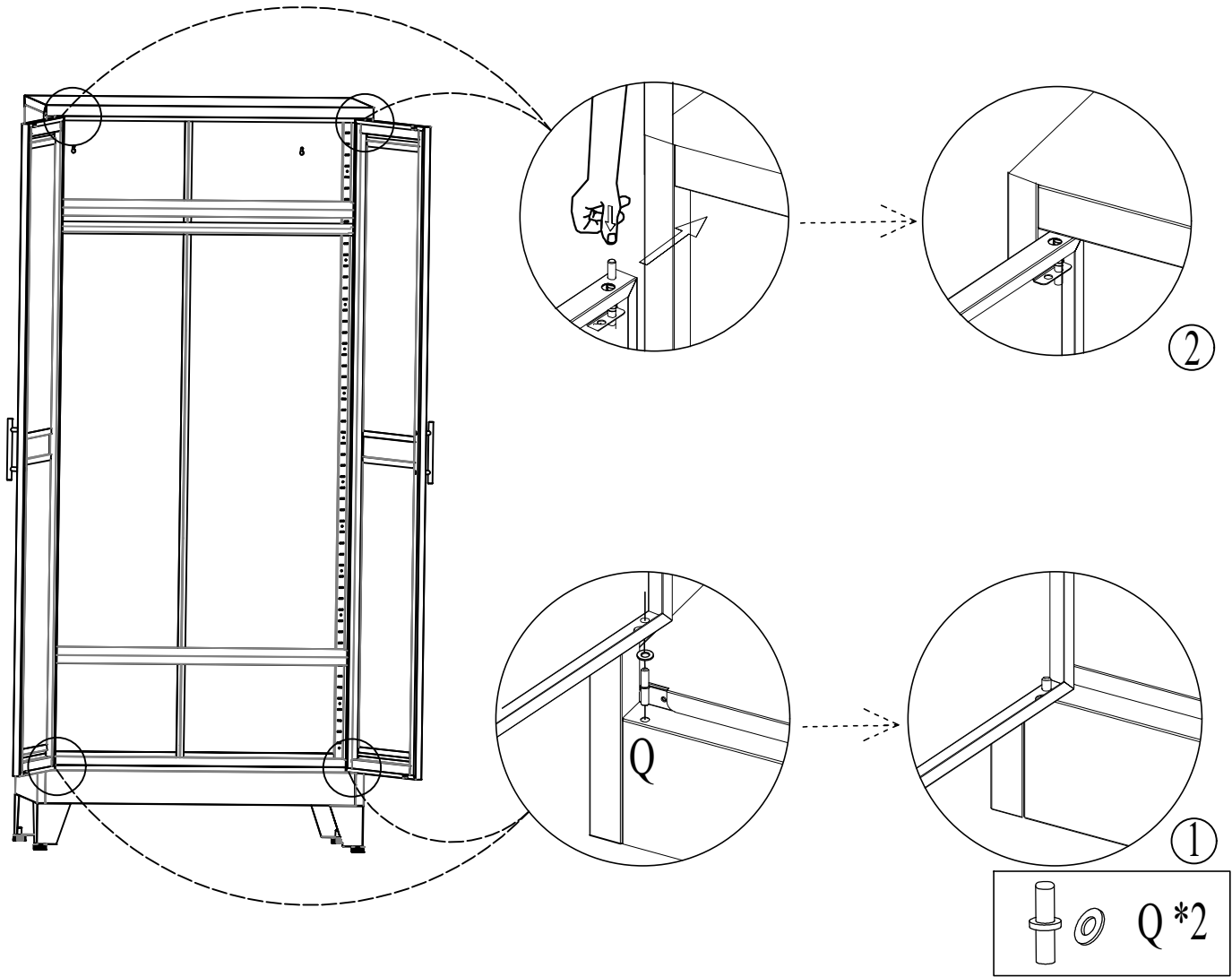
14



Follow this step to install other door panels S *4

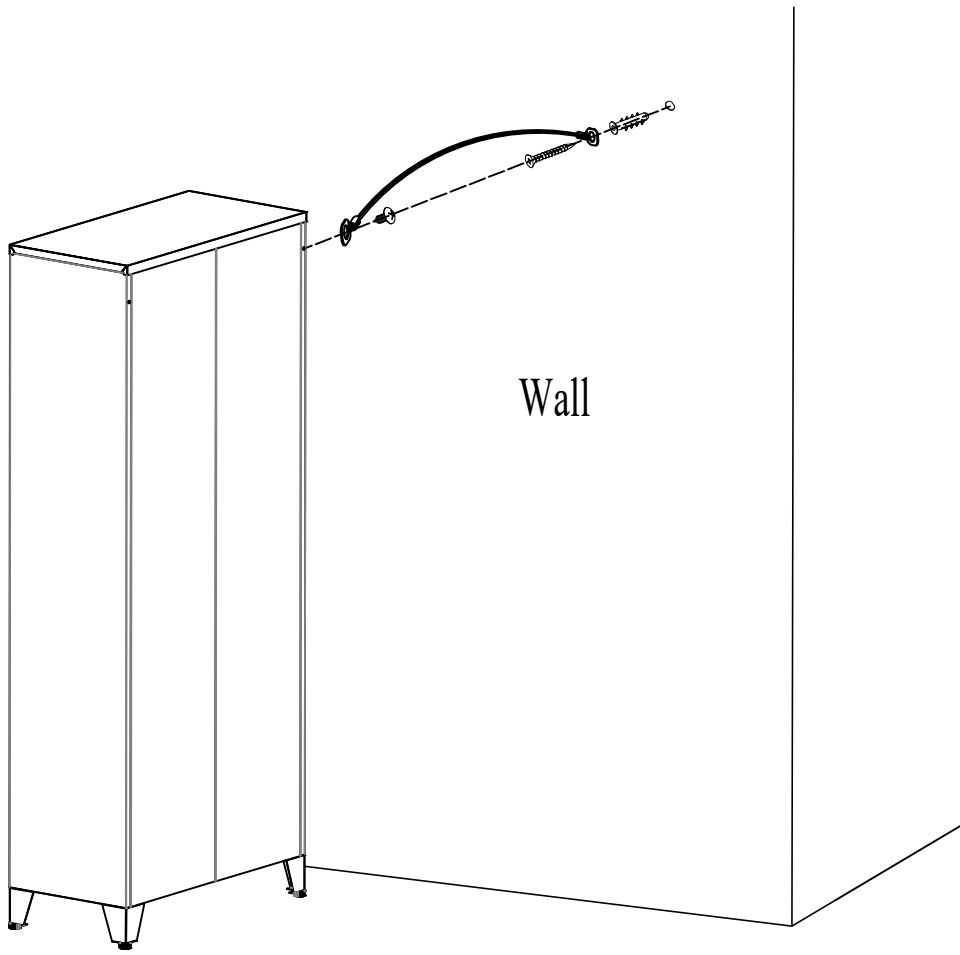


15



16

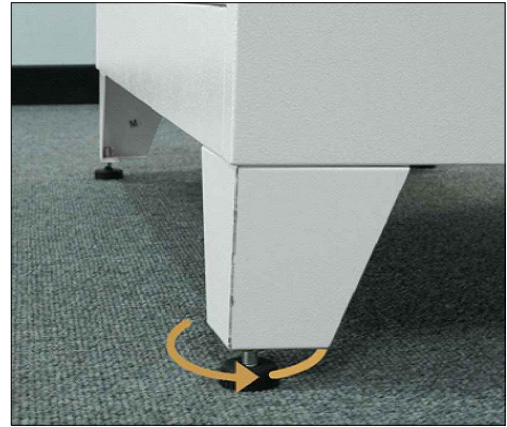
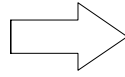
The cabinet can be fixed to the wall as needed.



- L × 1
- T × 1
-
-

Problems and Solutions

Question 1: when encountering uneven height of two door panels, adjust the bottom adjustment foot to make it flat.



Question 2: When the door is closed, it still protrudes outward.

That's because the door is made of steel plate and has stretchability. You can adjust it according to the method shown in the picture.

