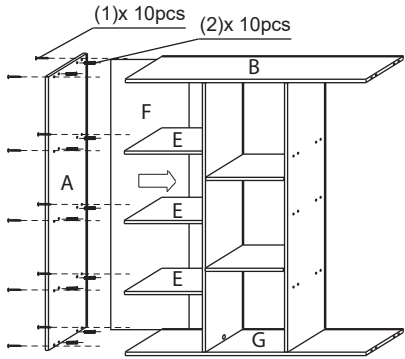


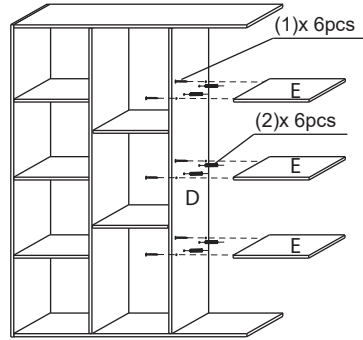
### STEP 5

Insert Back Panel (F) and Left Side Panel (A) to the assembled unit using Screw (1) and Dowel (2), as shown.



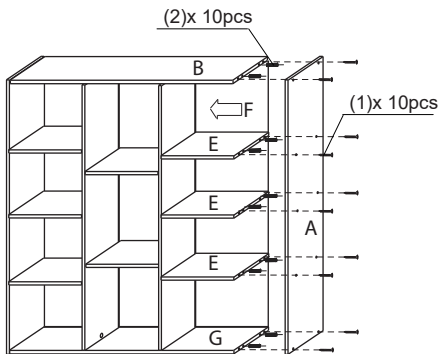
### STEP 6

Attach three Shelf Panel (E) to Right Center Panel (D) using Screw (1) and Dowel (2), as shown.



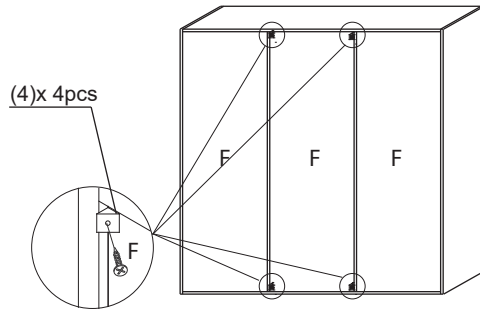
### STEP 7

Repeat Step 5 on the right side.

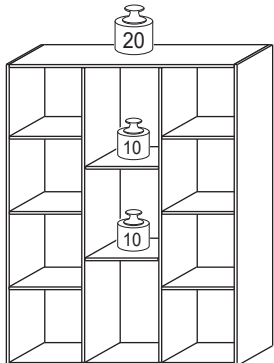


### STEP 8

- 8.1 Attach Back Panel (F) to the back of the assembled unit using L-Support/ Screw (4).
- 8.2 Cover screw head with Sticker (5).



### Recommended Maximum Weight



\*Unit in Pound(lbs)

### **WARNING:**

>This unit has been designed to support the maximum loads shown. Exceeding these load limits could cause sagging, instability, product collapse, and/or serious injury.

>DO NOT allow children to climb on unit.

>Put heavier items on lower shelves.

## **Assembly Instruction**

11-Cube Reversible Open Shelf Bookcase

00:50

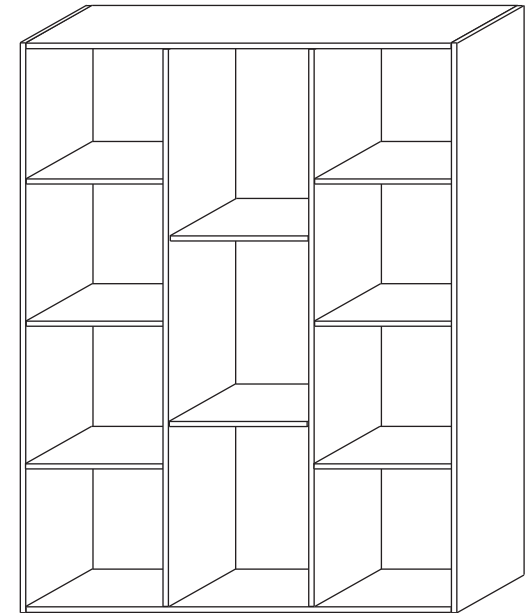
Approx. 50 minutes










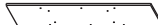




Recomm. 2 Person

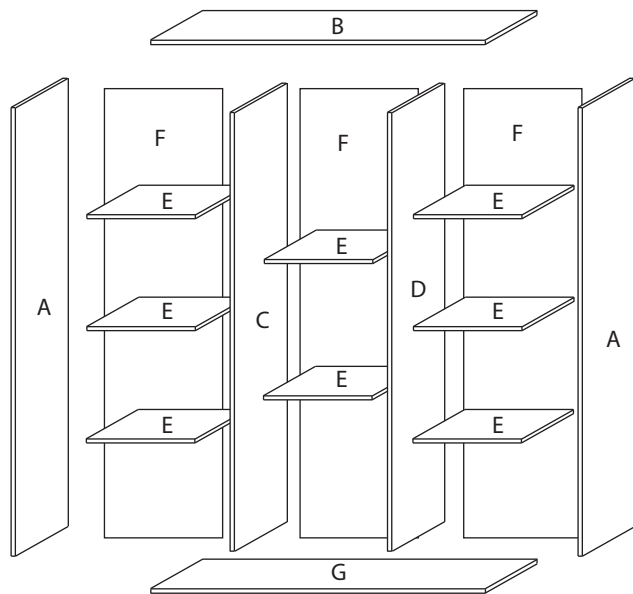


Tool Required



No	Hardware List	Qty
1	Screw 	40pcs
2	Dowel 	48pcs
3	Cam-Lock Screw/Nut 	4pcs
4	L-Support/ Screw 	4sets
5	Sticker 	20pcs

No	Parts List	Qty
A	Left/ Right Side Panel 	2pcs
B	Top Panel 	1pc
C	Left Center Panel 	1pc
D	Right Center Panel 	1pc
E	Shelf Panel 	8pcs
F	Back Panel 	3pcs
G	Bottom Panel 	1pc

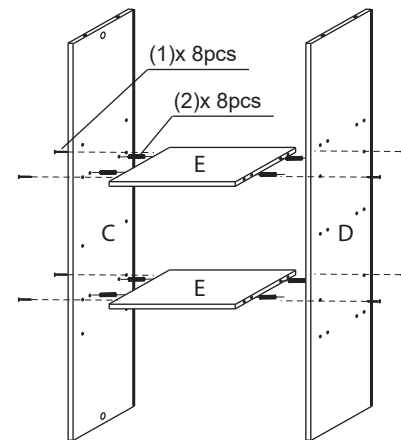


#### USEFUL HINTS BEFORE YOU START:

1. Read each step carefully before starting.
2. It is important that each step is performed in correct order to avoid difficulties.
3. Identify, sort and count the parts before assembly.
4. Assemble your furniture on packaging cardboard to prevent scratch or damage.
5. Clean the product with mild cleanser using soft damped cloth. Do not use harsh or abrasive cleanser.
6. Using incompatible hardware might cause damage to product.

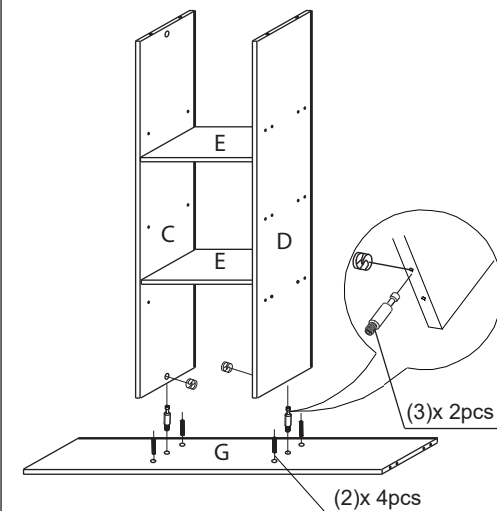
#### STEP 1

Attach Shelf Panel (E) in between Left/ Right Center Panel (C)(D), using Screw (1) and Dowel (2), as shown.



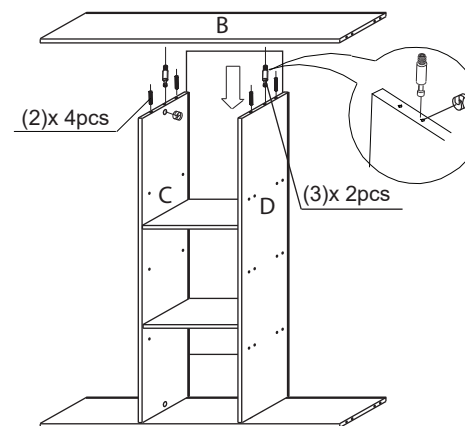
#### STEP 2

Attach Bottom Panel (G) to Left/ Right Center Panel (C)(D) using Dowel (2) and Cam-lock Screw/ Nut (3), as shown.



#### STEP 3

Attach Top Panel (B) to Left/ Right Center Panel (C)(D) using Dowel (2) and Cam-Lock Screw/ Nut (3), as shown.



#### STEP 4

Attach three Shelf Panel (E) to Left Center Panel (C) using Screw (1) and Dowel (2), as shown.

