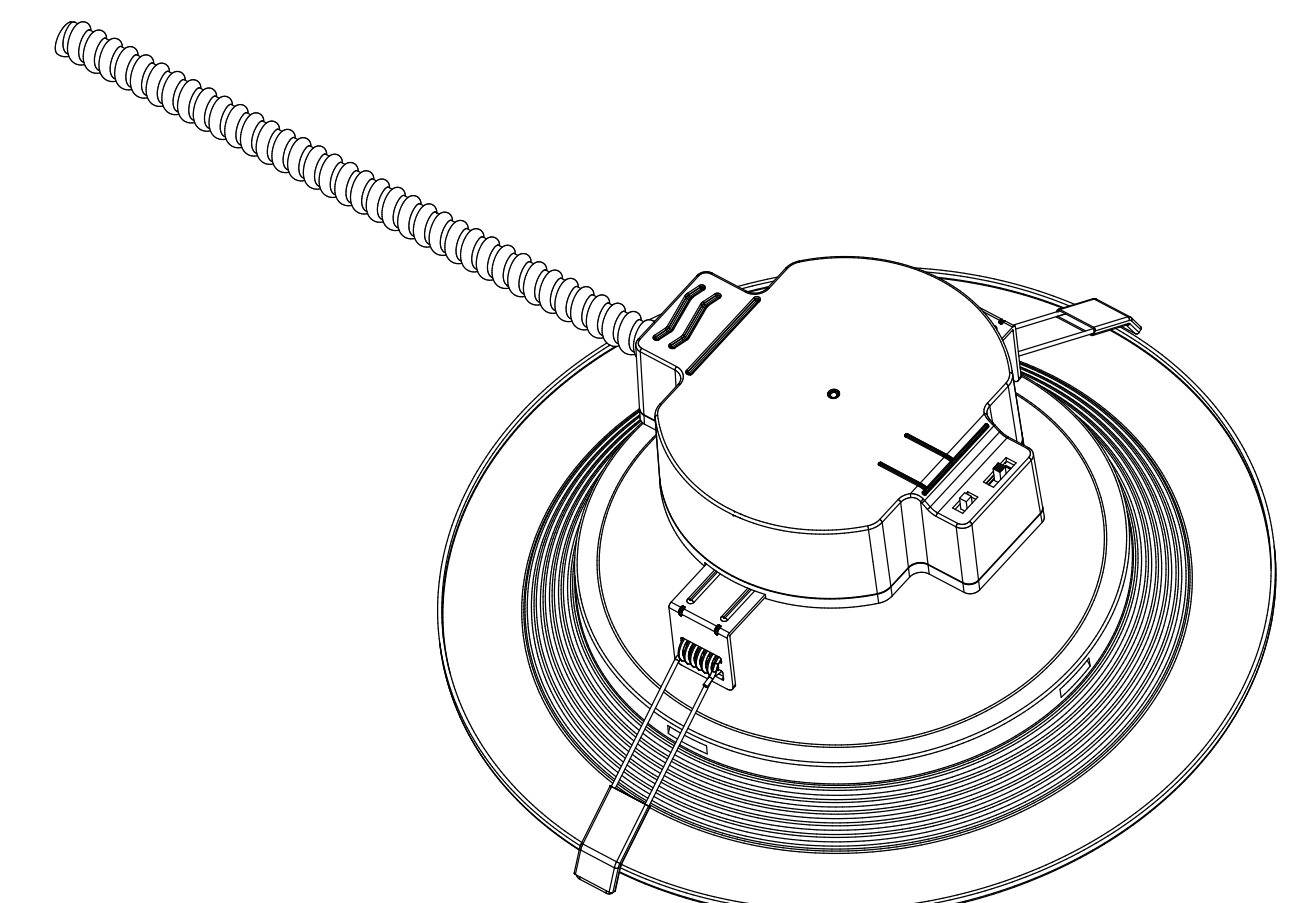
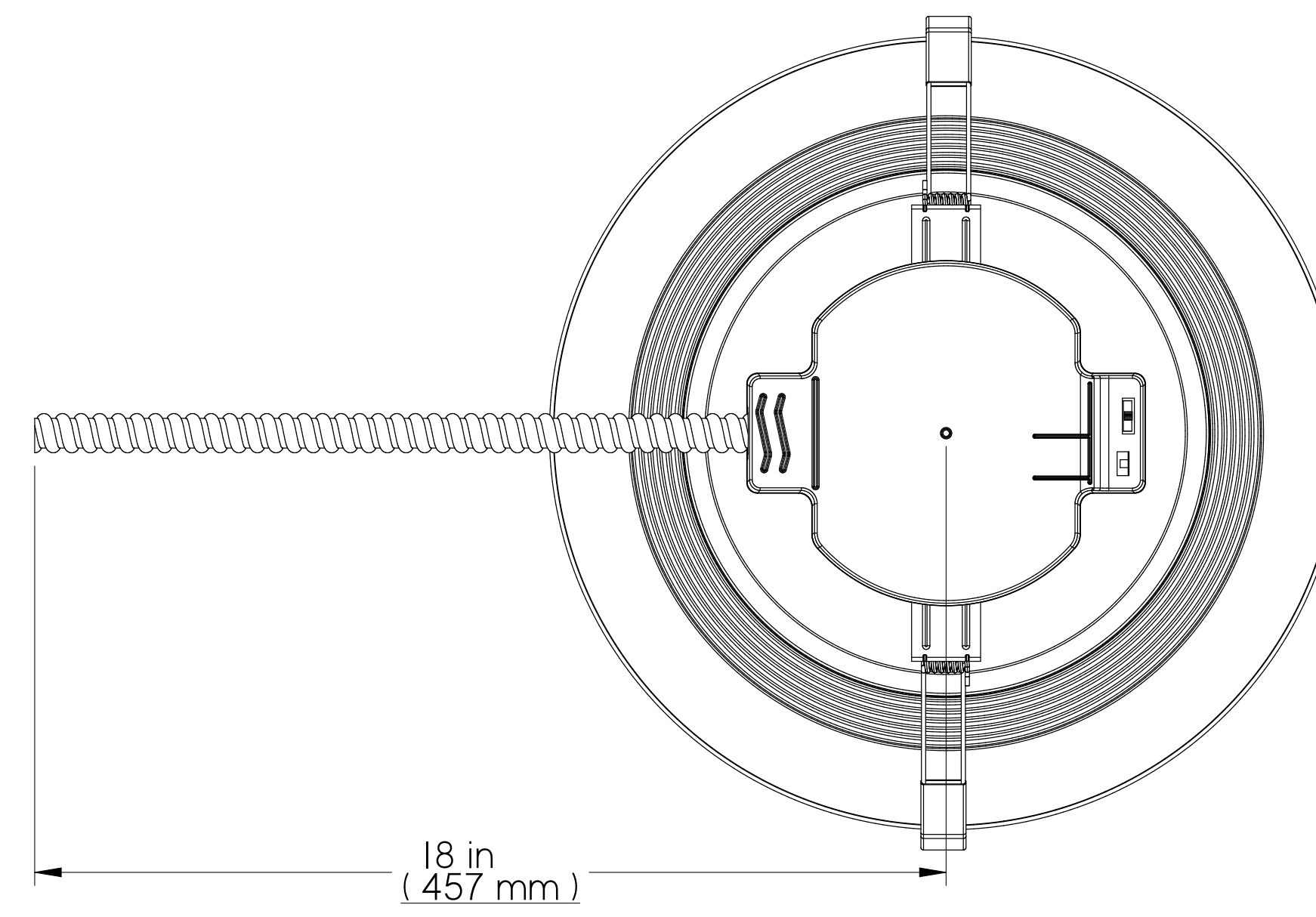
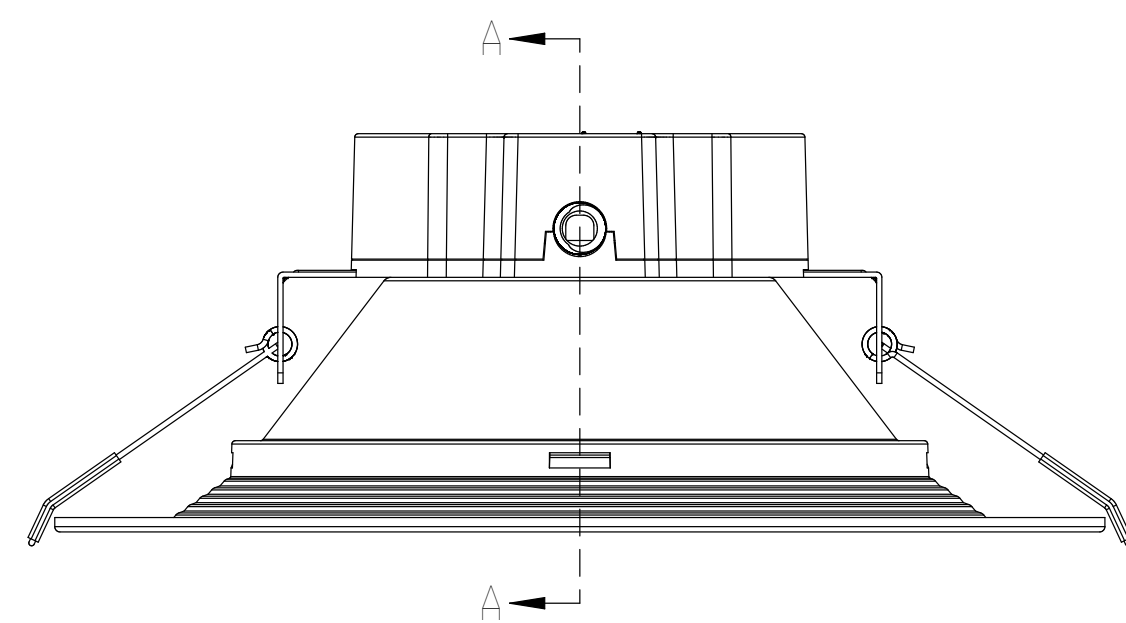
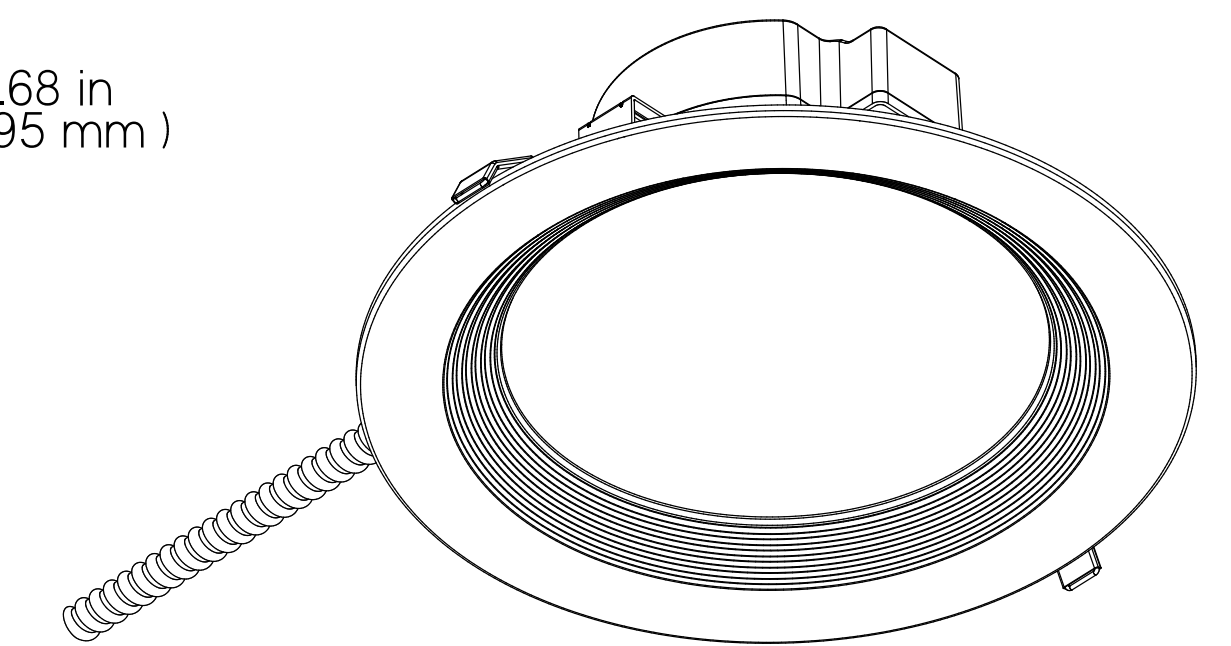
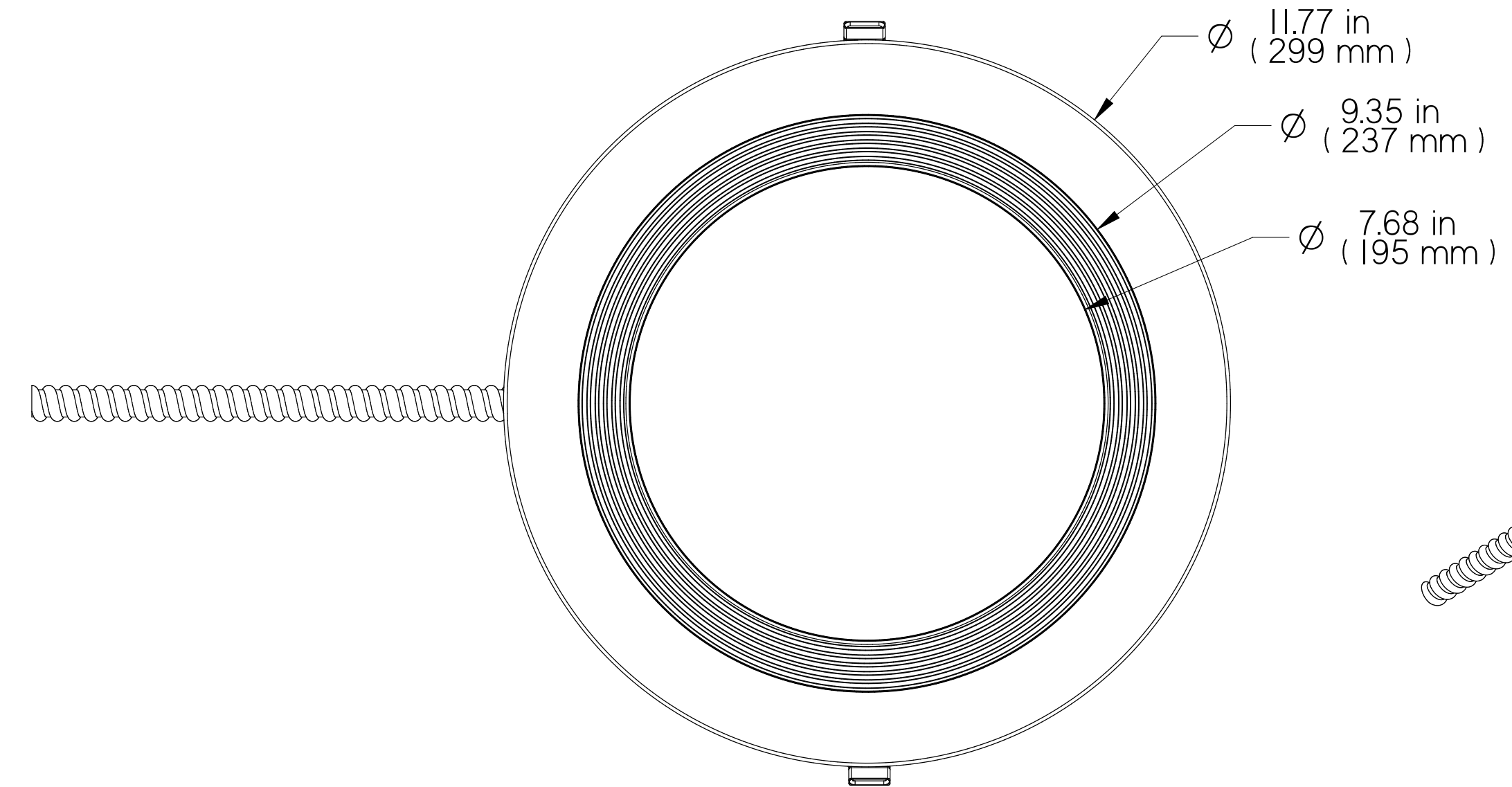
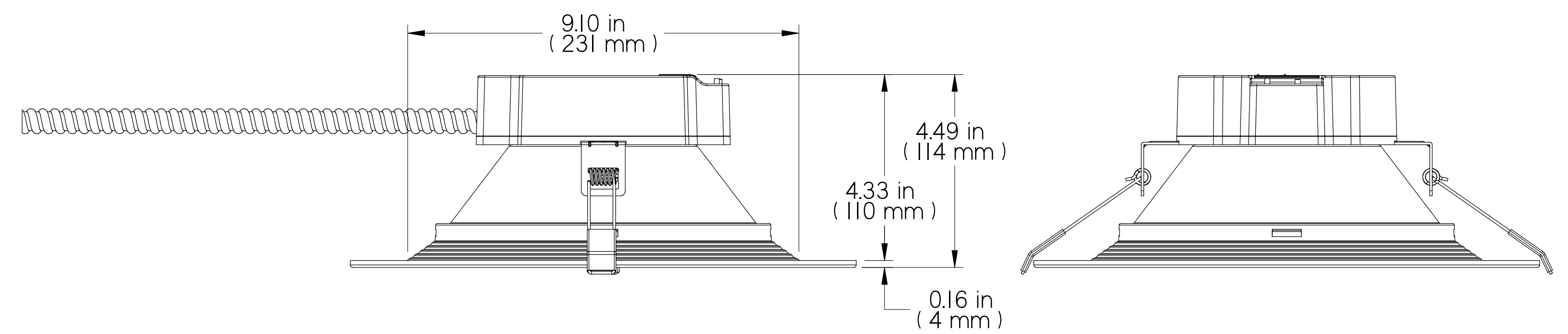


SECTION A-A



TOP ISOMETRIC



BOTTOM ISOMETRIC