

58" TV Stand w/ Fireplace



Estimated Time for Assembly

60 mins

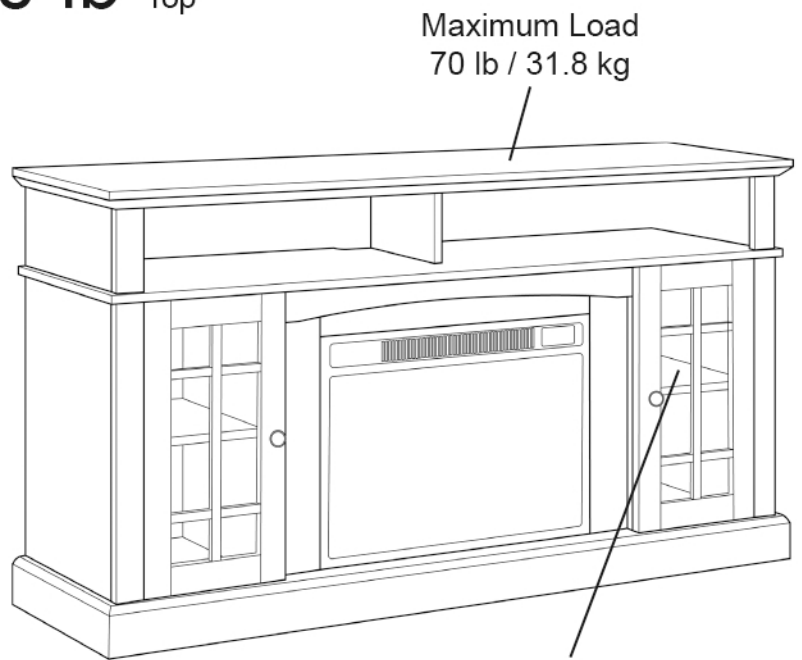


Weight Limitation

20 lb Shelf

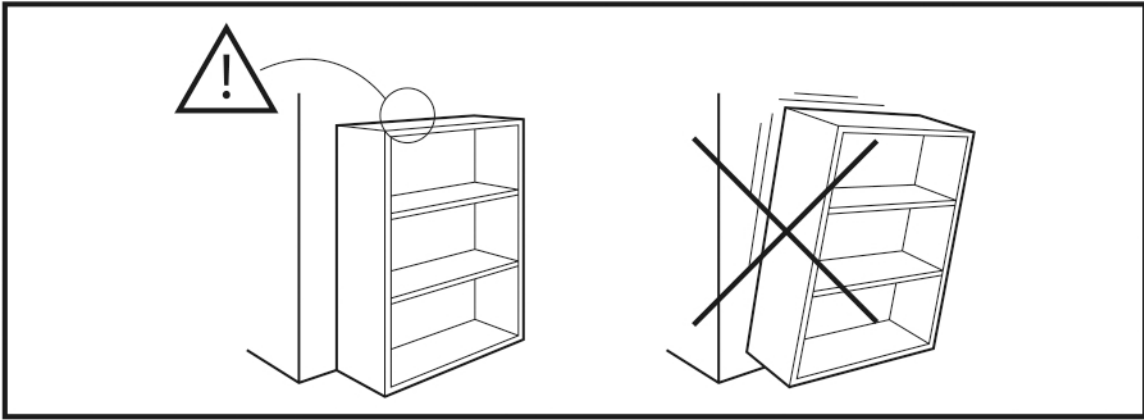
70 lb Top

Tools Needed (Not included)



Maximum Load
70 lb / 31.8 kg

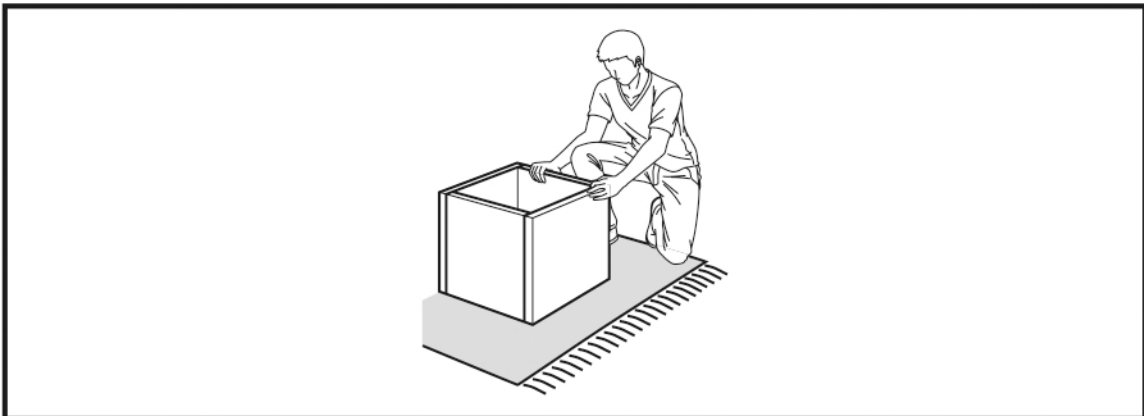
Maximum Load
20 lb / 9 kg



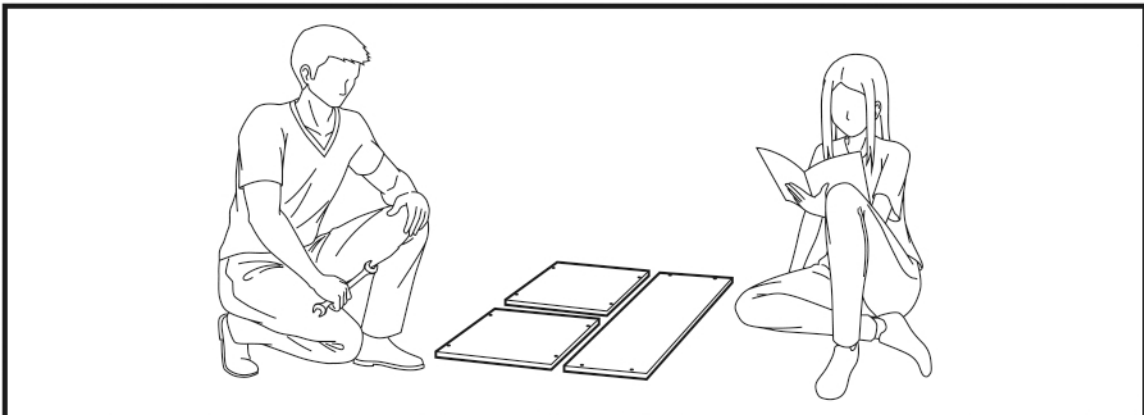
Warning

Serious or fatal crushing injuries may occur if the furniture tip-over. Furniture must permanently fixed to the wall with included anti-tipping device to prevent the furniture from tipping over.

Different wall materials requires different types of fixing device, Use suitable fixing device to secure the stability and load bearing capacity of the furniture. If you are uncertain about which type of fixing device to use, please contact your local hardware store.



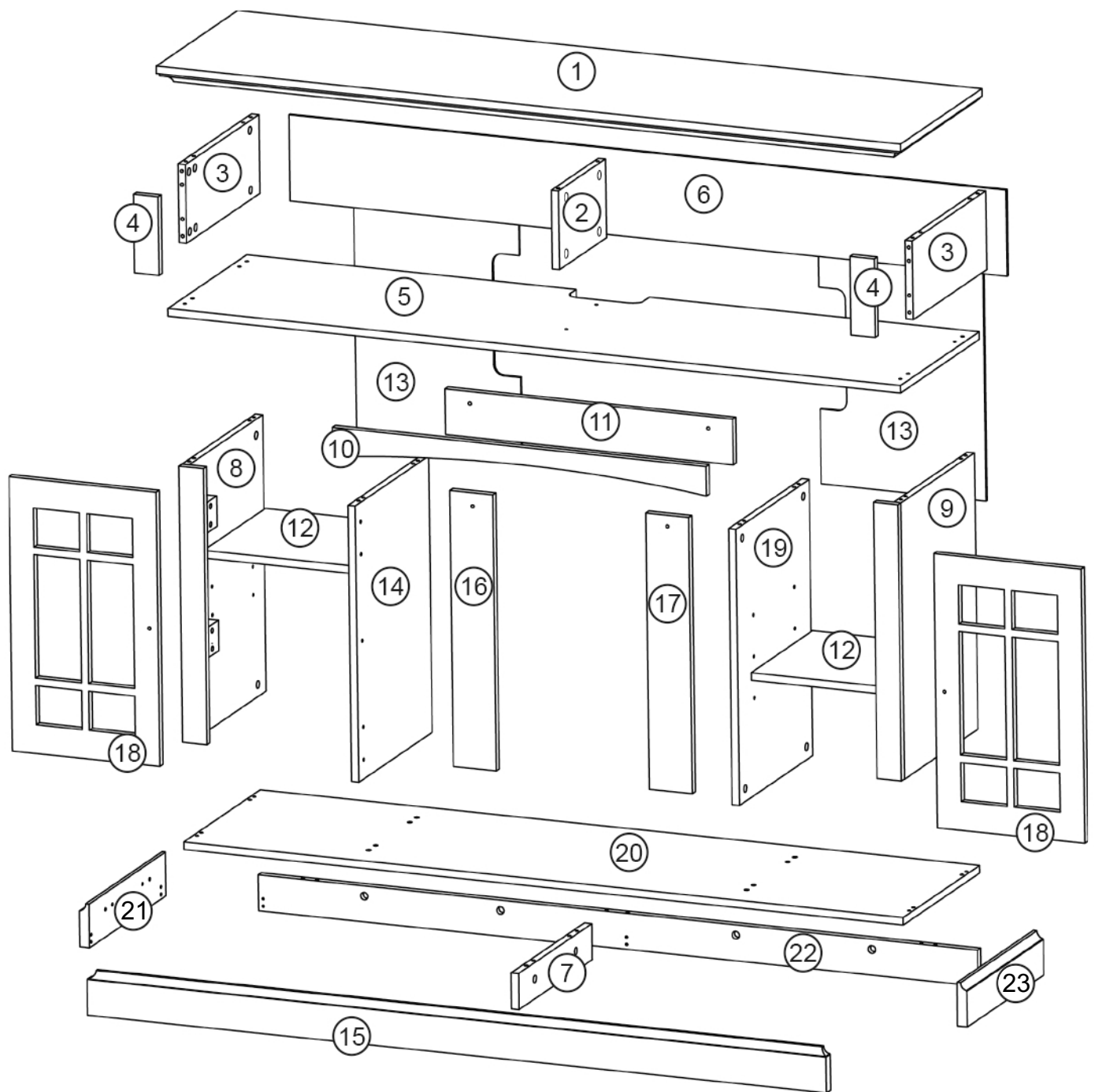
Assembly the furniture on empty carton, carpet, or rug to prevent scratches or damage.



This furniture requires 2 people to assembly.

Make sure no parts are missing or damaged before assembly.

PACKAGE CONTENT



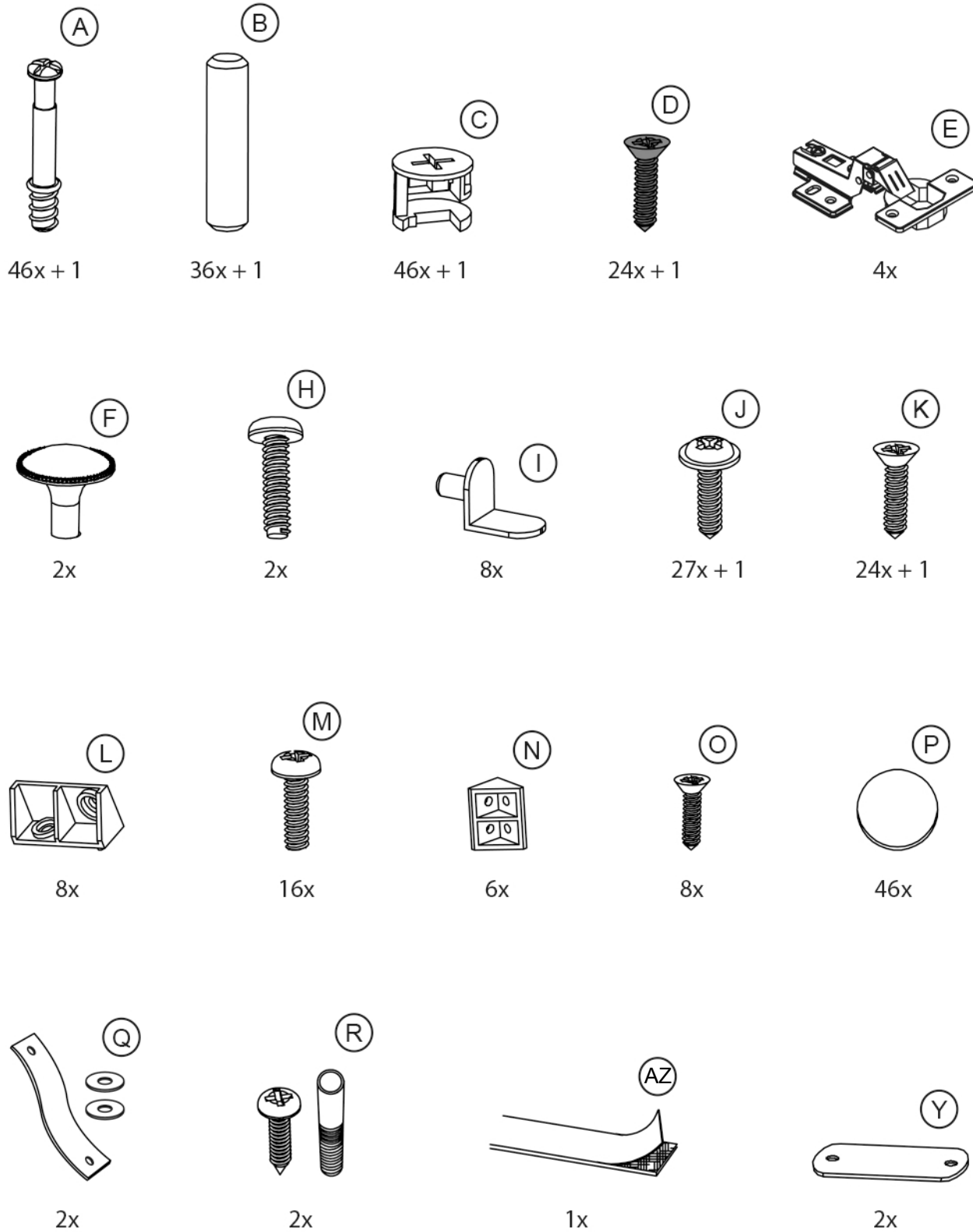
PACKAGE CONTENT (A)

CODE	DESCRIPTION	QTY
1	Countertop Board	1
2	Middle Partition	1
3	Upper Lateral Plate	2
4	Top Vertical	2
5	Laminates	1
6	Upper Back Panel	1
7	Middle Leg	1
10	Lintel Strip	1
11	Center Bar	1
12	Storage Shelf	2
13	Lower Back Panel	2
15	Forefoot Strip	1
18	Left Leg	2
20	Forefoot Strip	1
21	Left Leg	1
22	Back Leg	1
23	Right Leg	1

PACKAGE CONTENT (B)

CODE	DESCRIPTION	QTY
8	Lower Left Side Plate	1
9	Lower Right Side Plate	1
14	Medial Side Plate	1
16	Cabinet Door	1
17	Bottom Plate	1
19	Back Leg	1

PACKAGE CONTENT

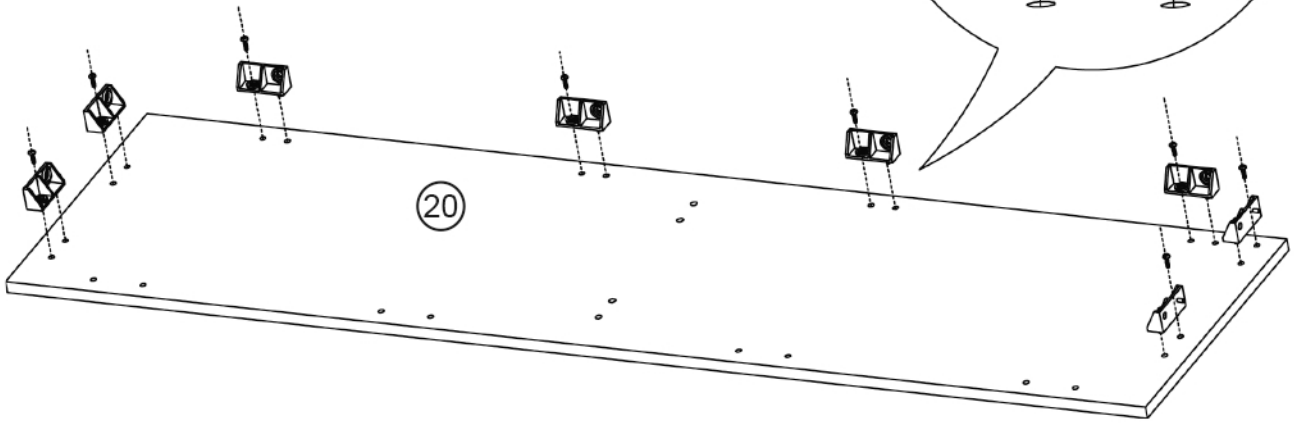
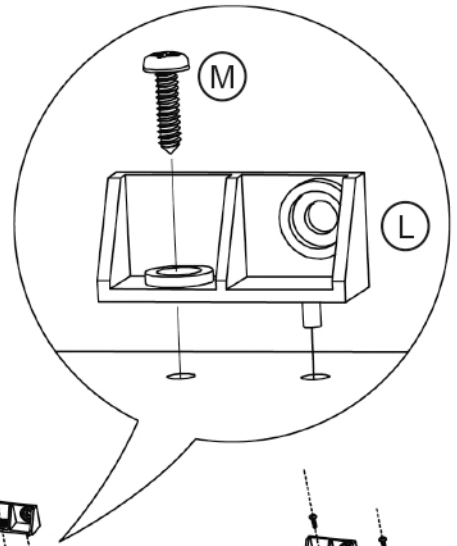


Install all hardware perpendicular to the opening.

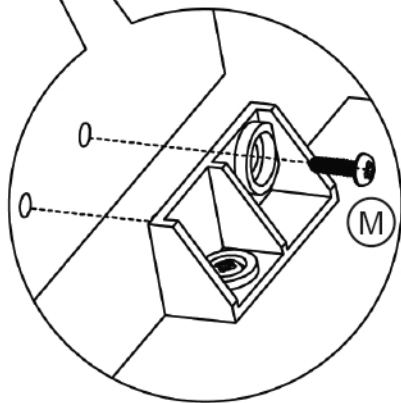
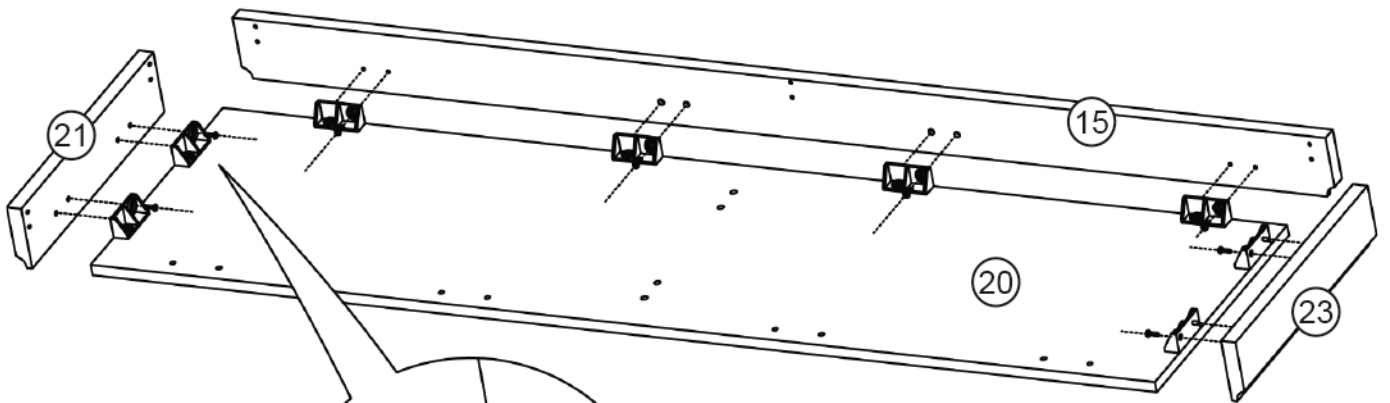
1

(L) 8x

(M) 8x

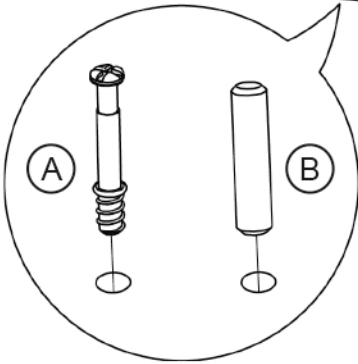
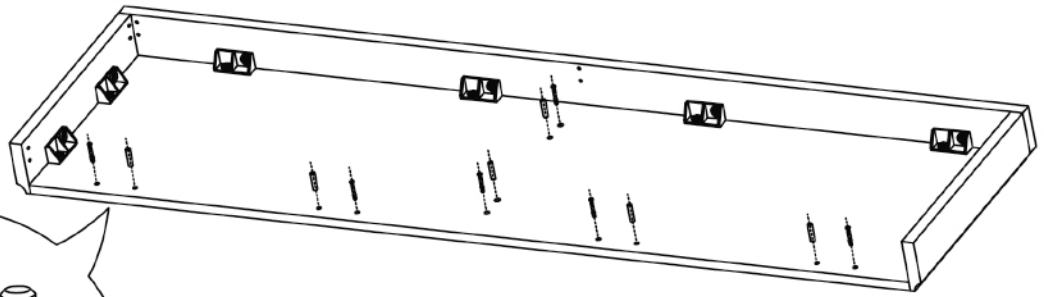


2



(M) 8x

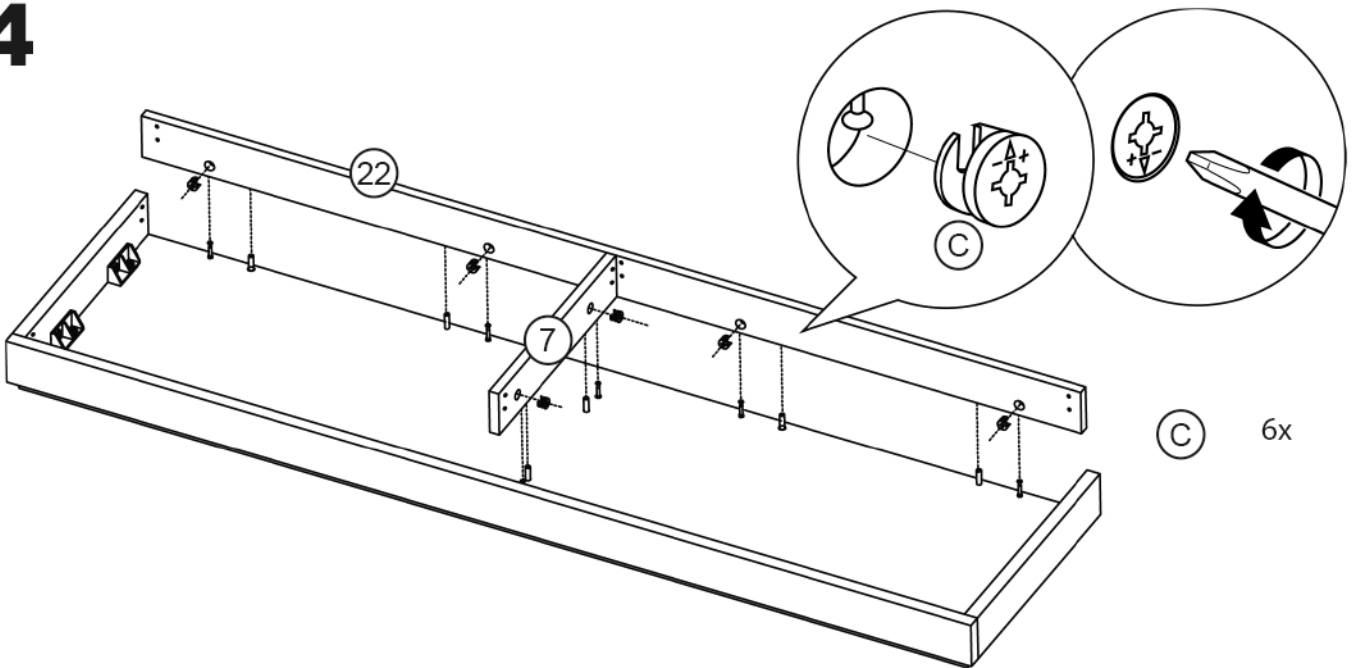
3



(A) 6x

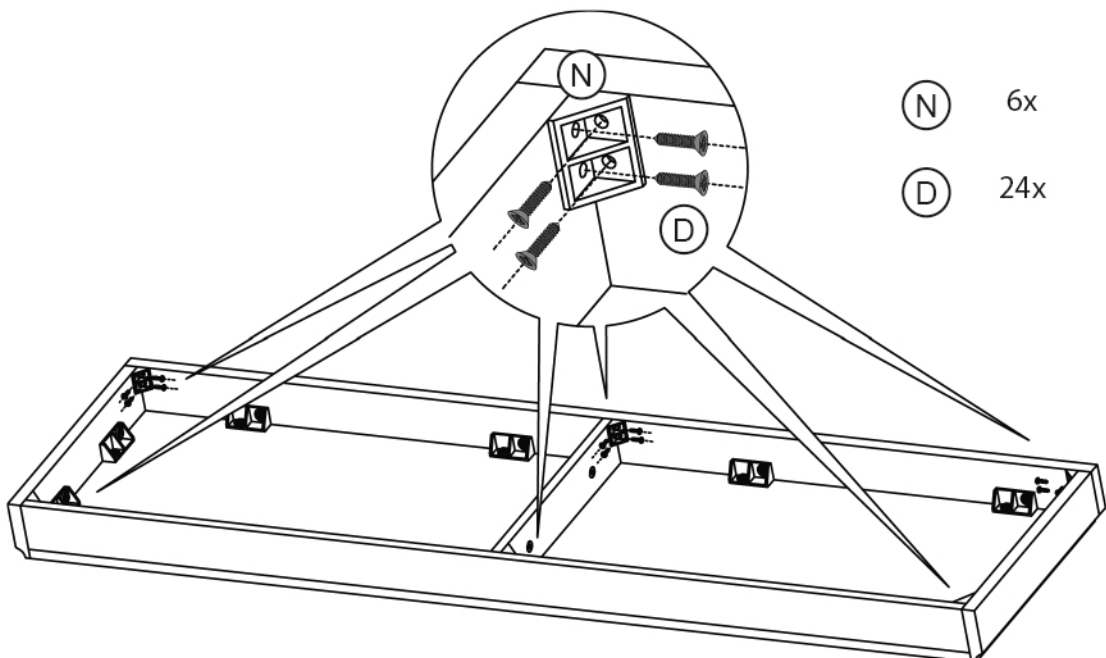
(B) 6x

4



(C) 6x

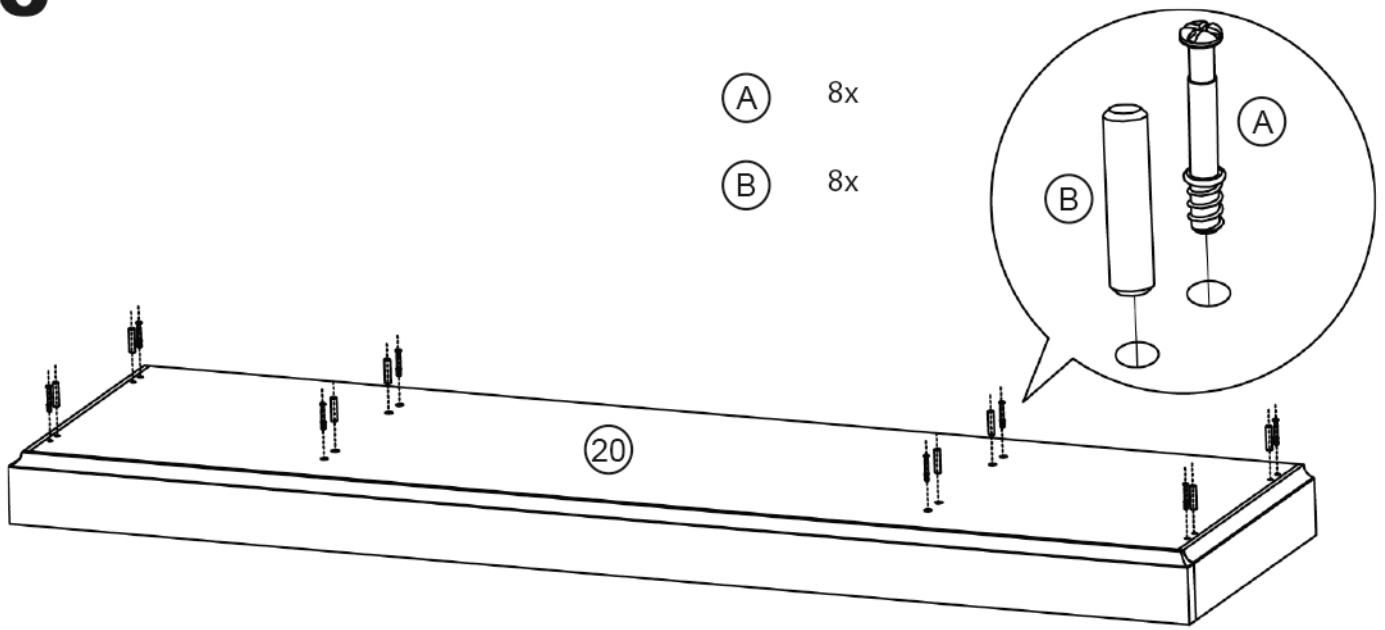
5



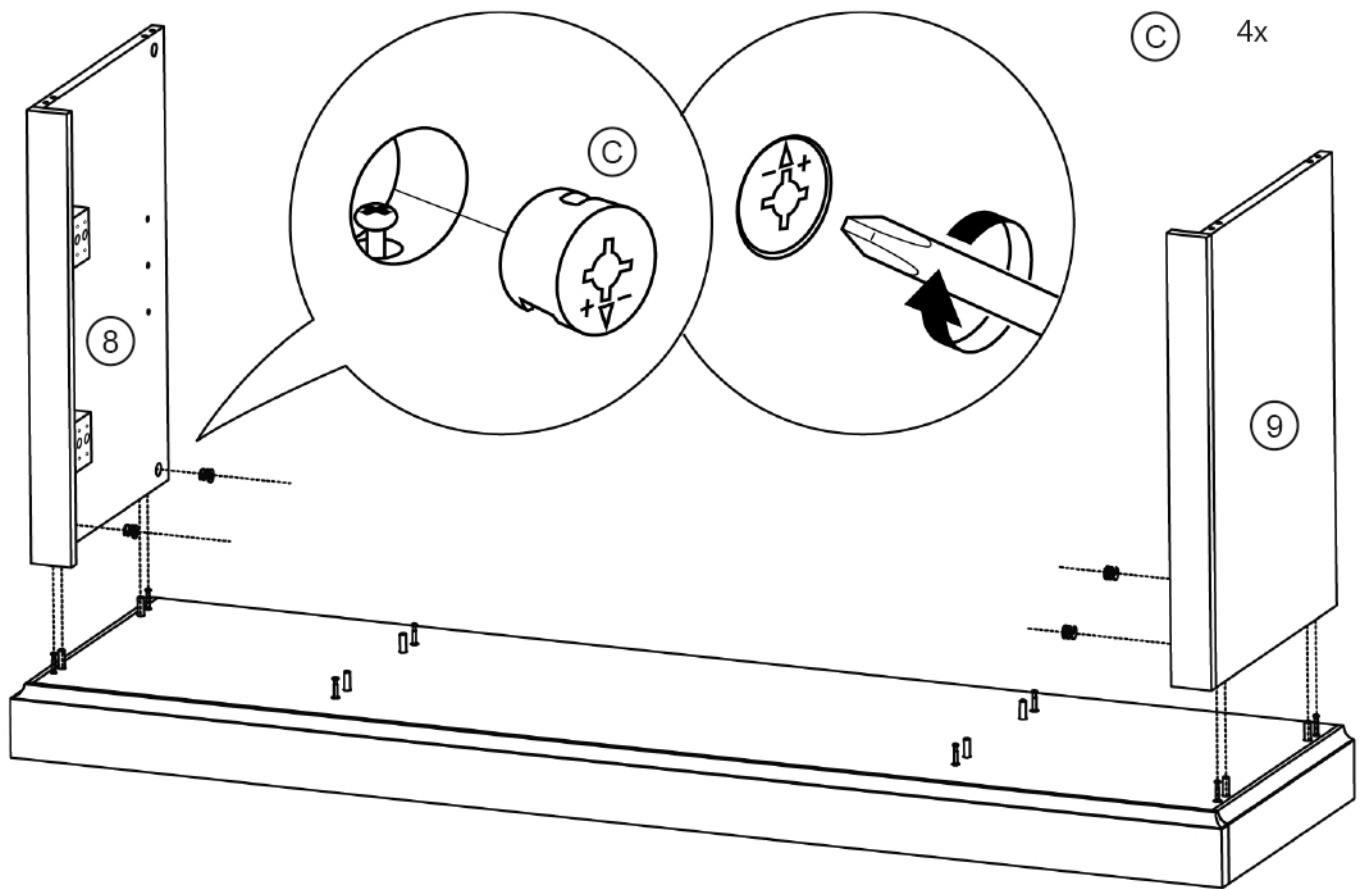
(N) 6x

(D) 24x

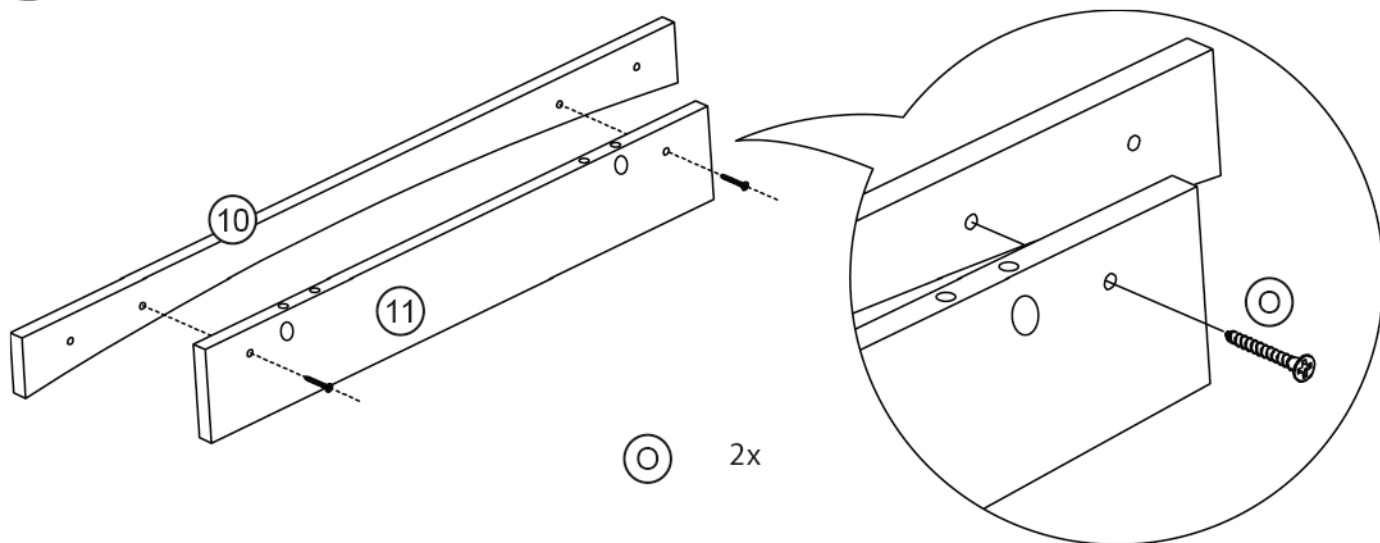
6



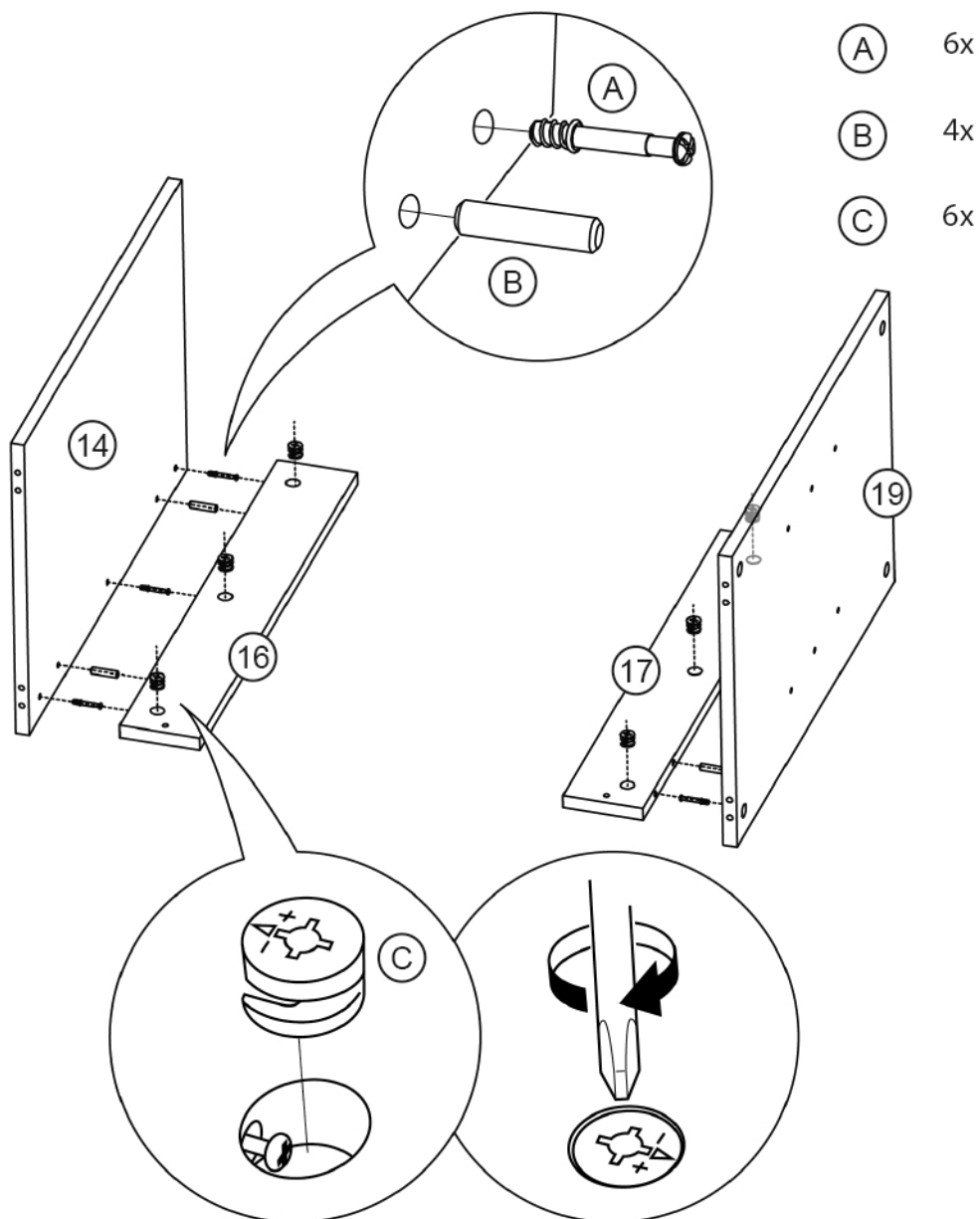
7



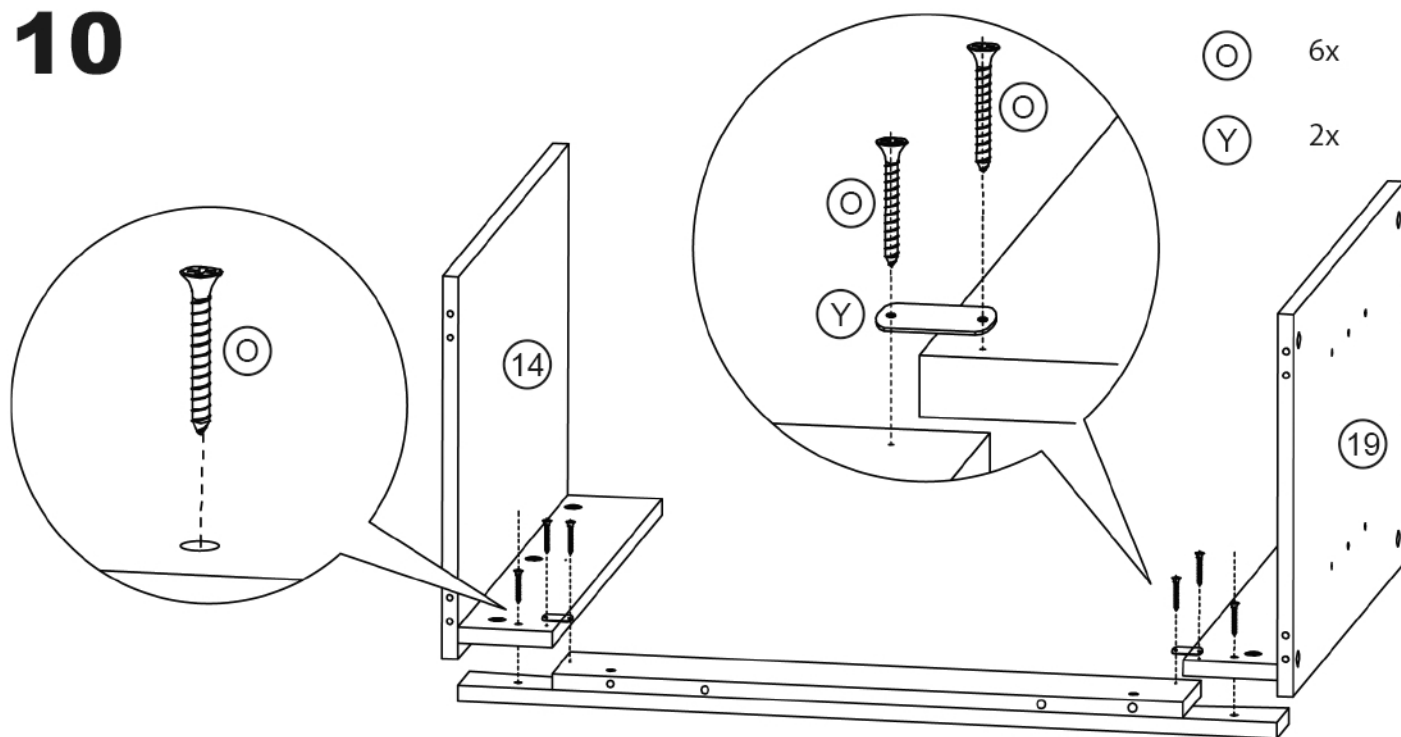
8



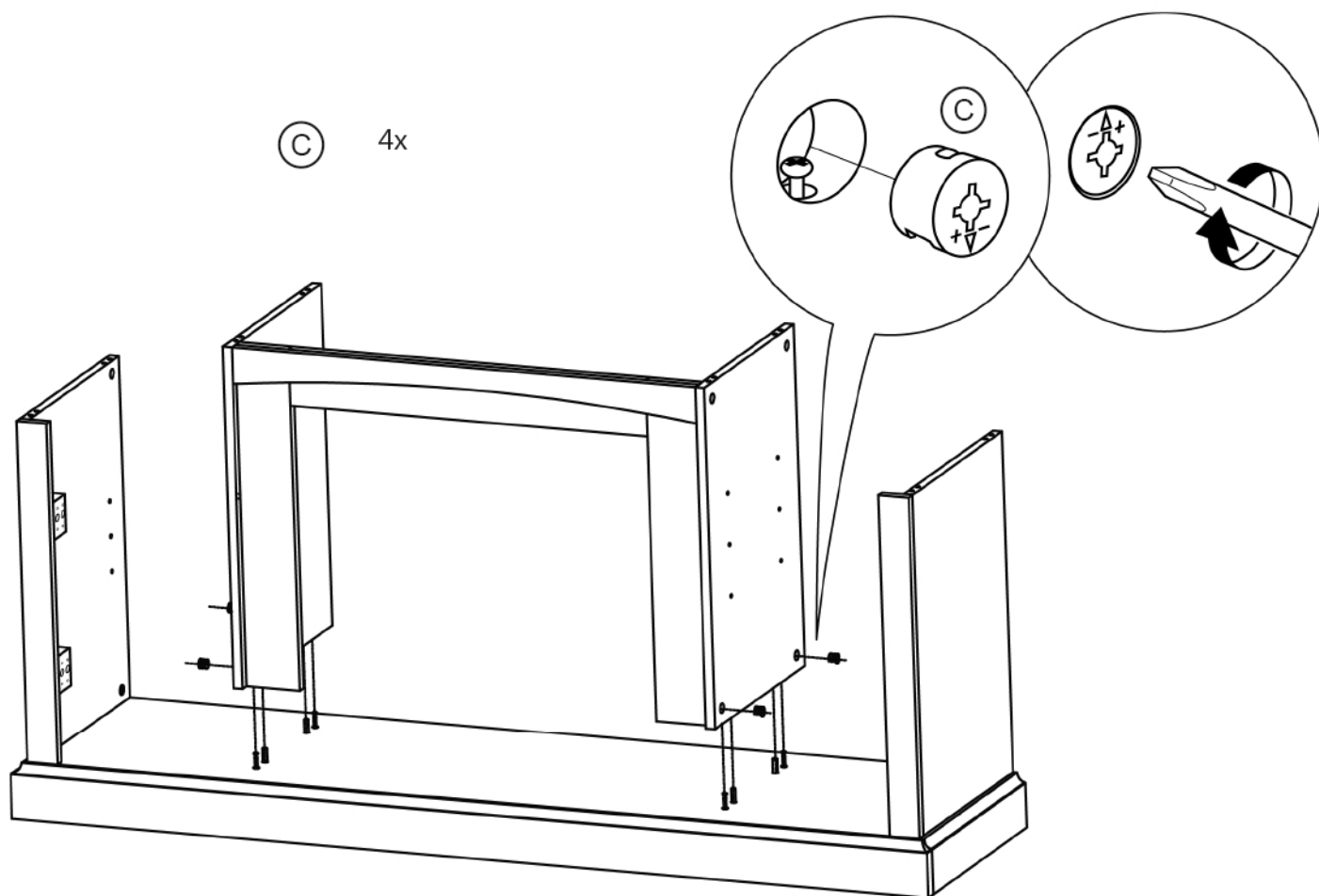
9



10

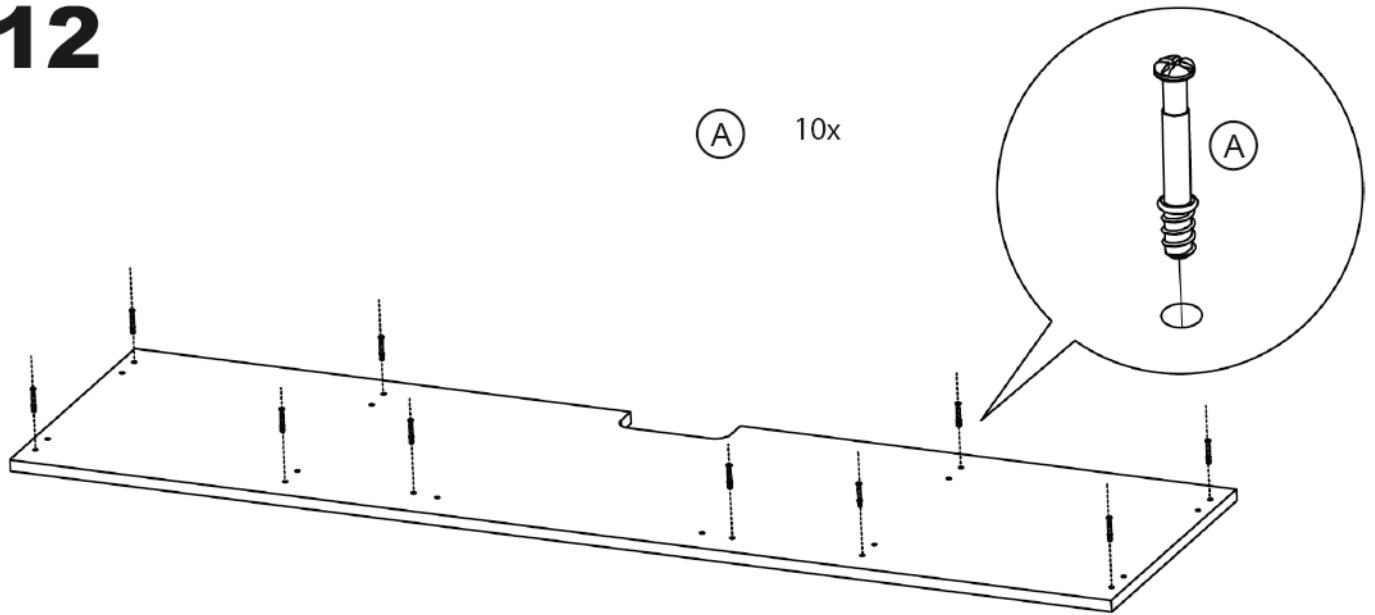


11



12

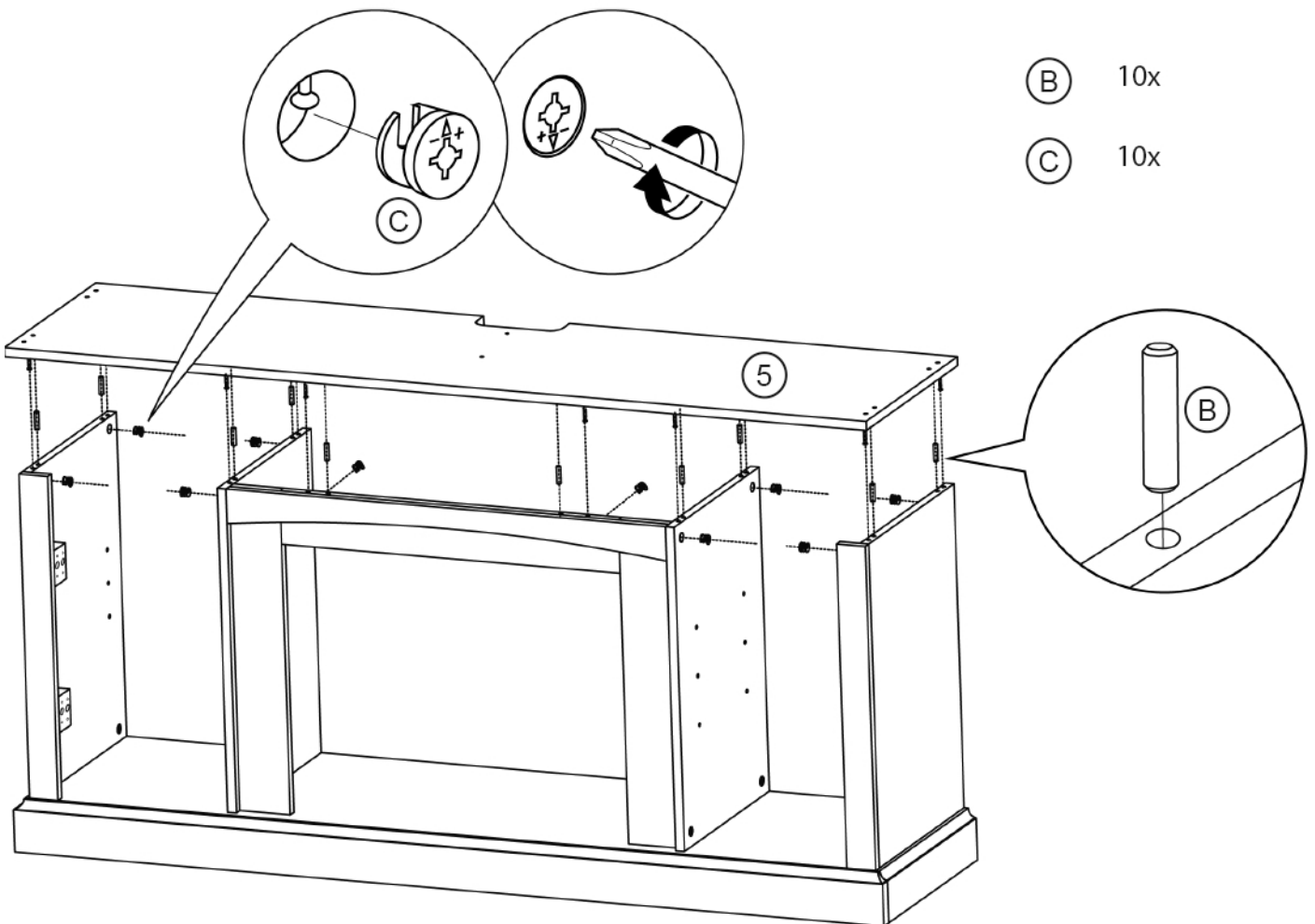
(A) 10x



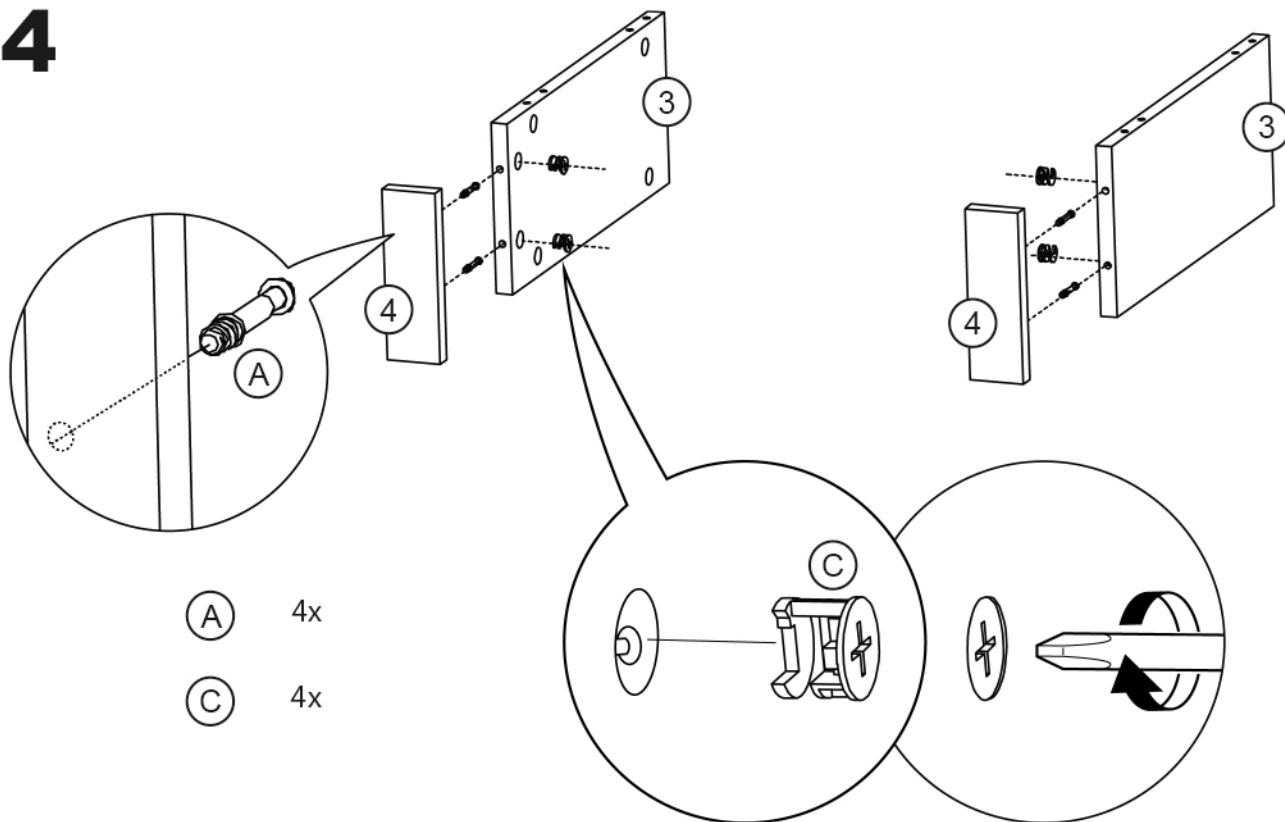
13

(B) 10x

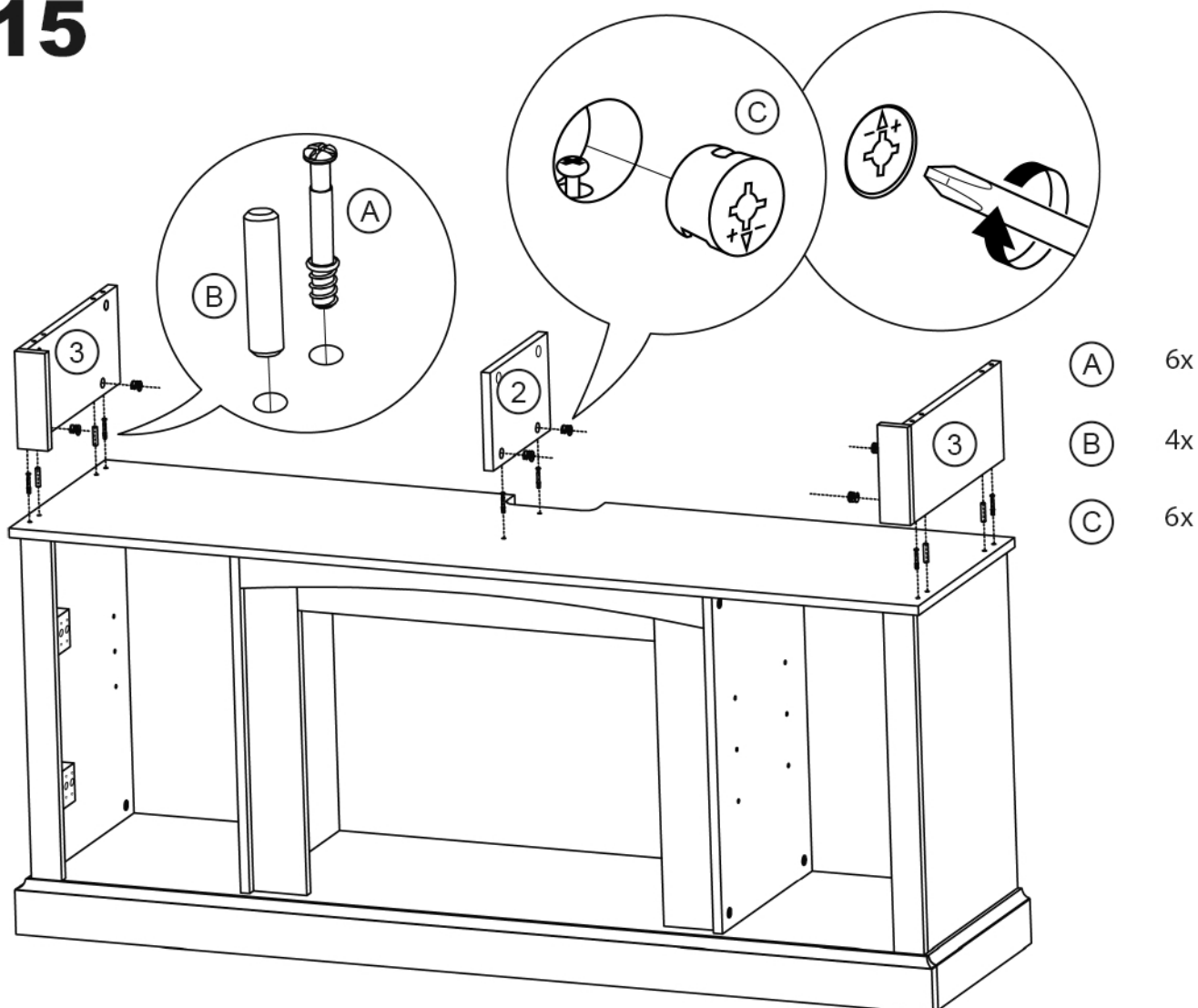
(C) 10x



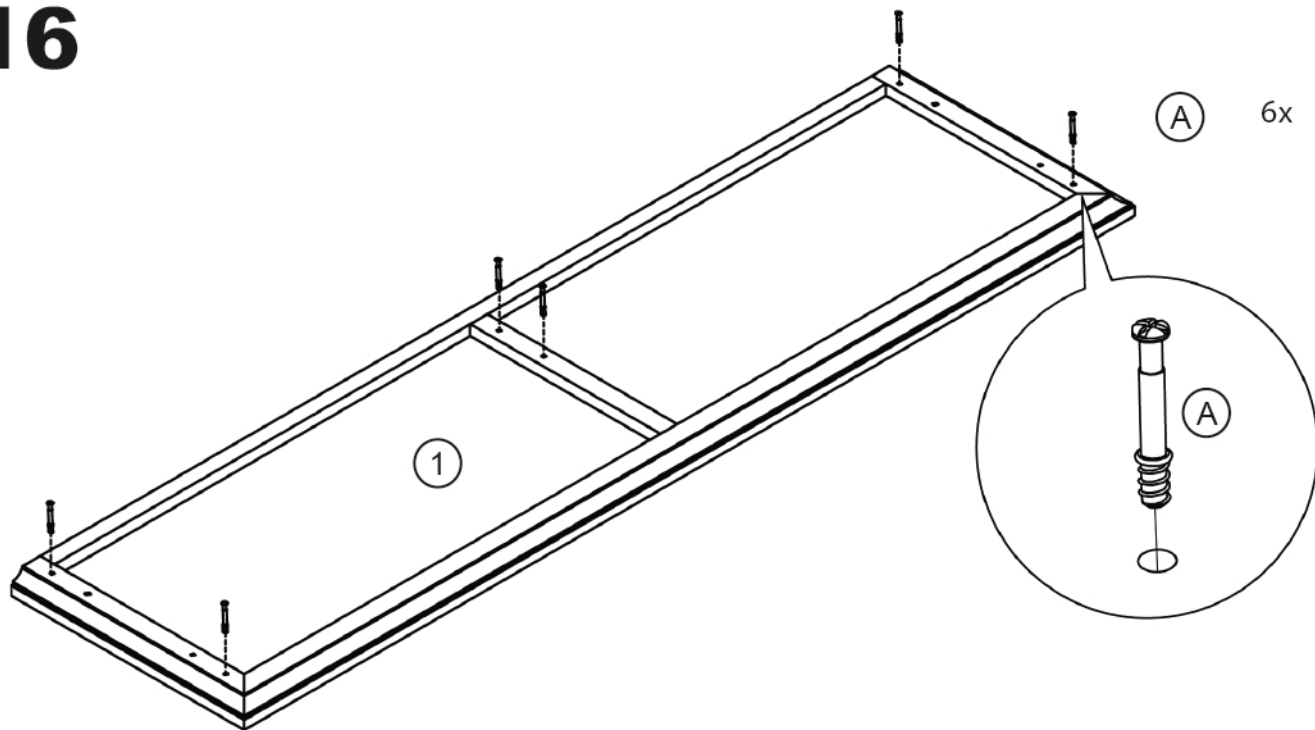
14



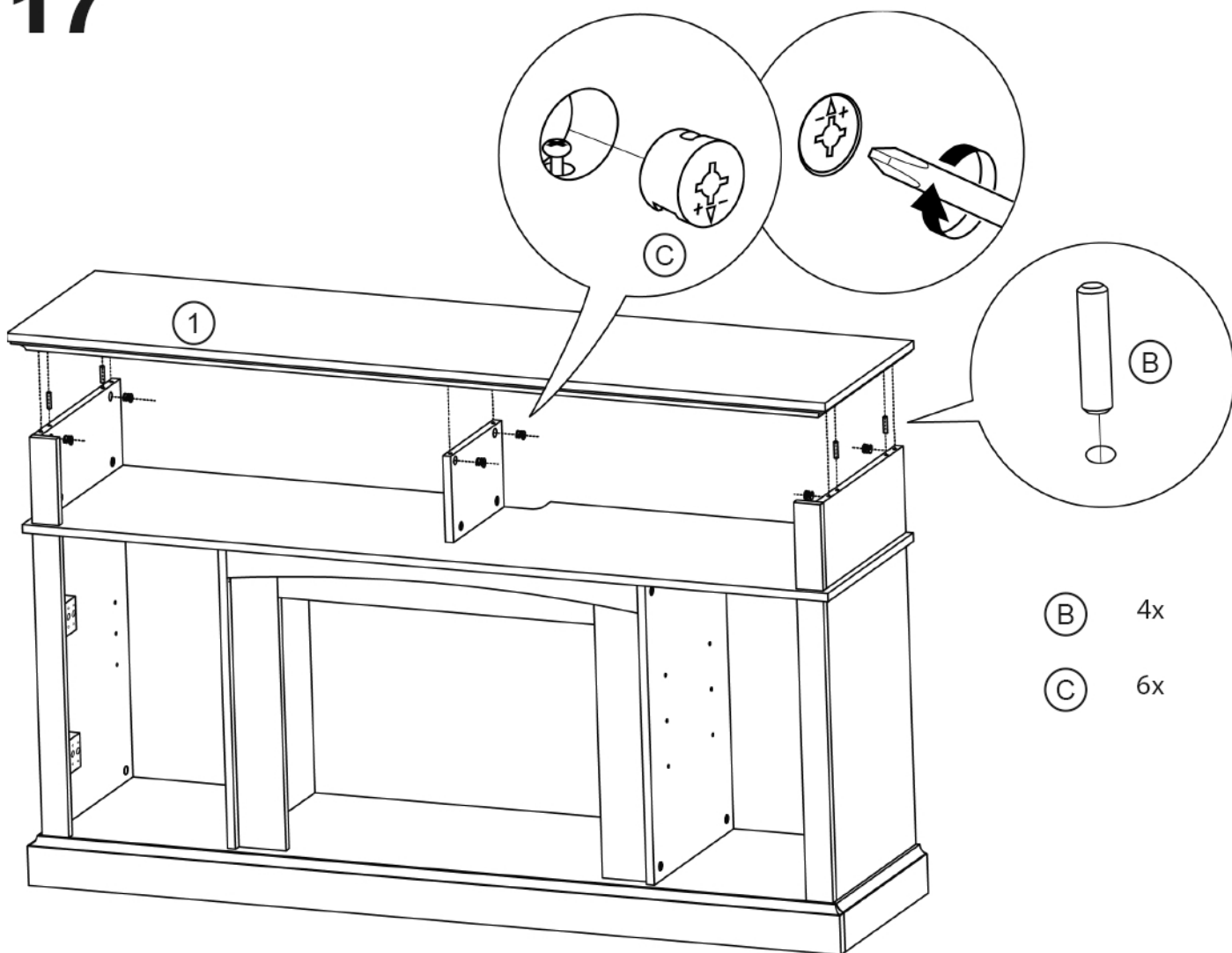
15



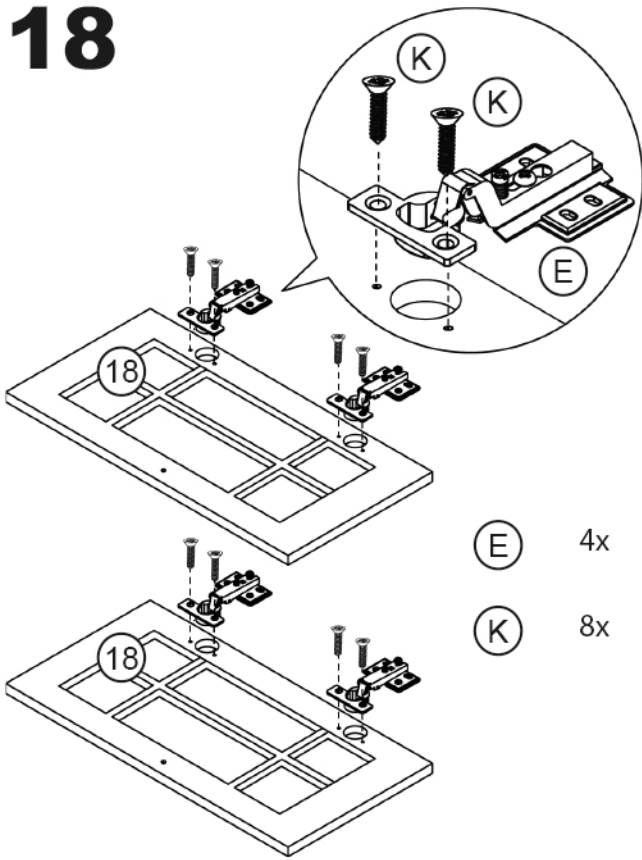
16



17



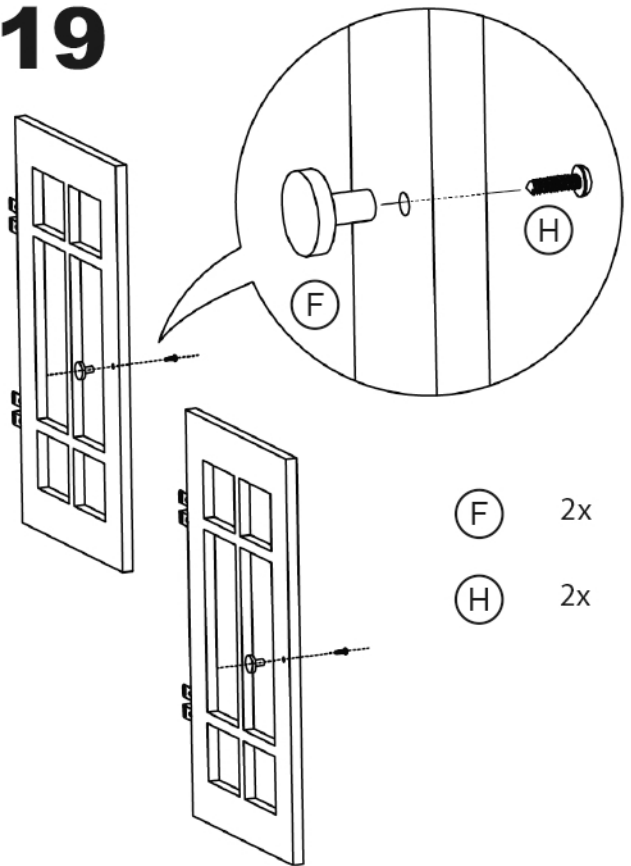
18



(E) 4x

(K) 8x

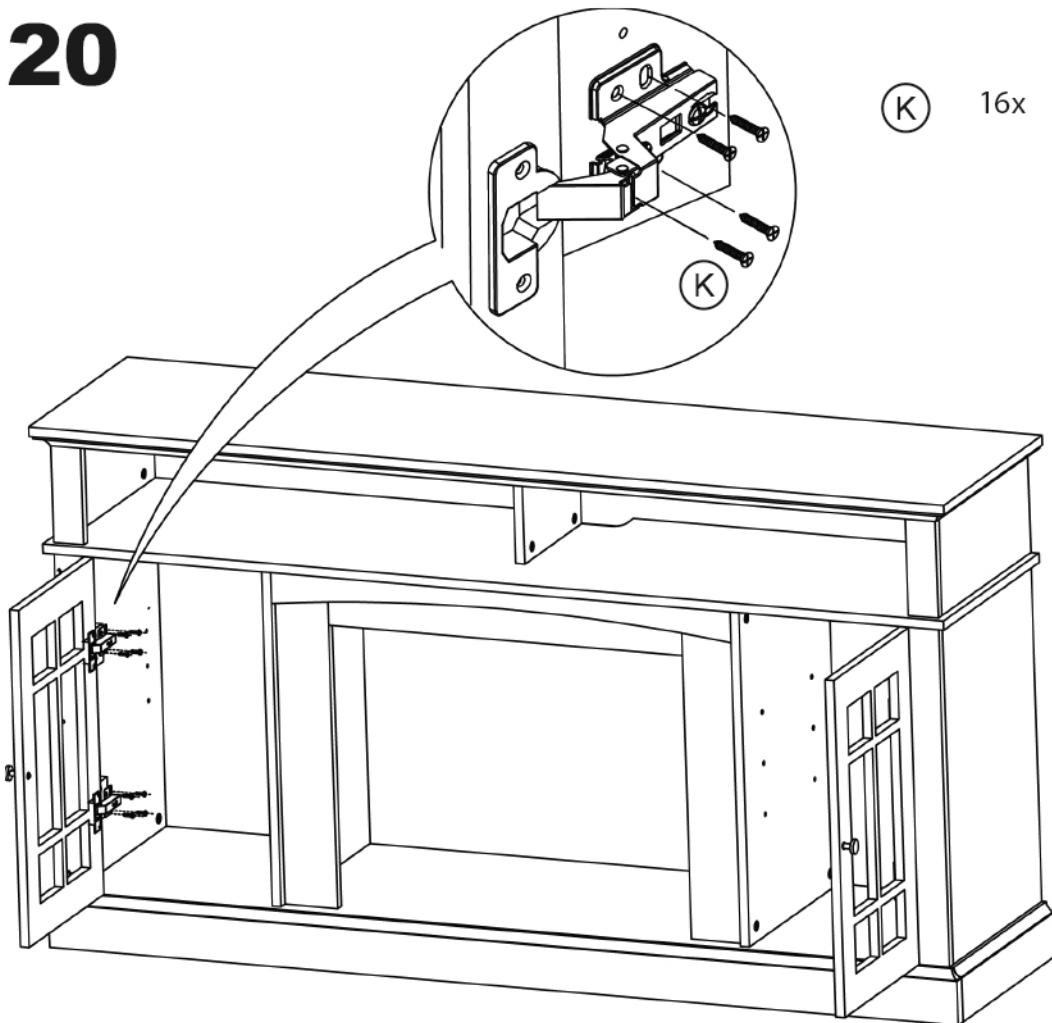
19



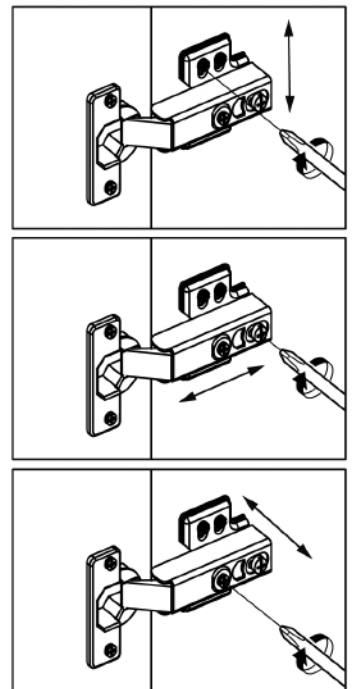
(F) 2x

(H) 2x

20

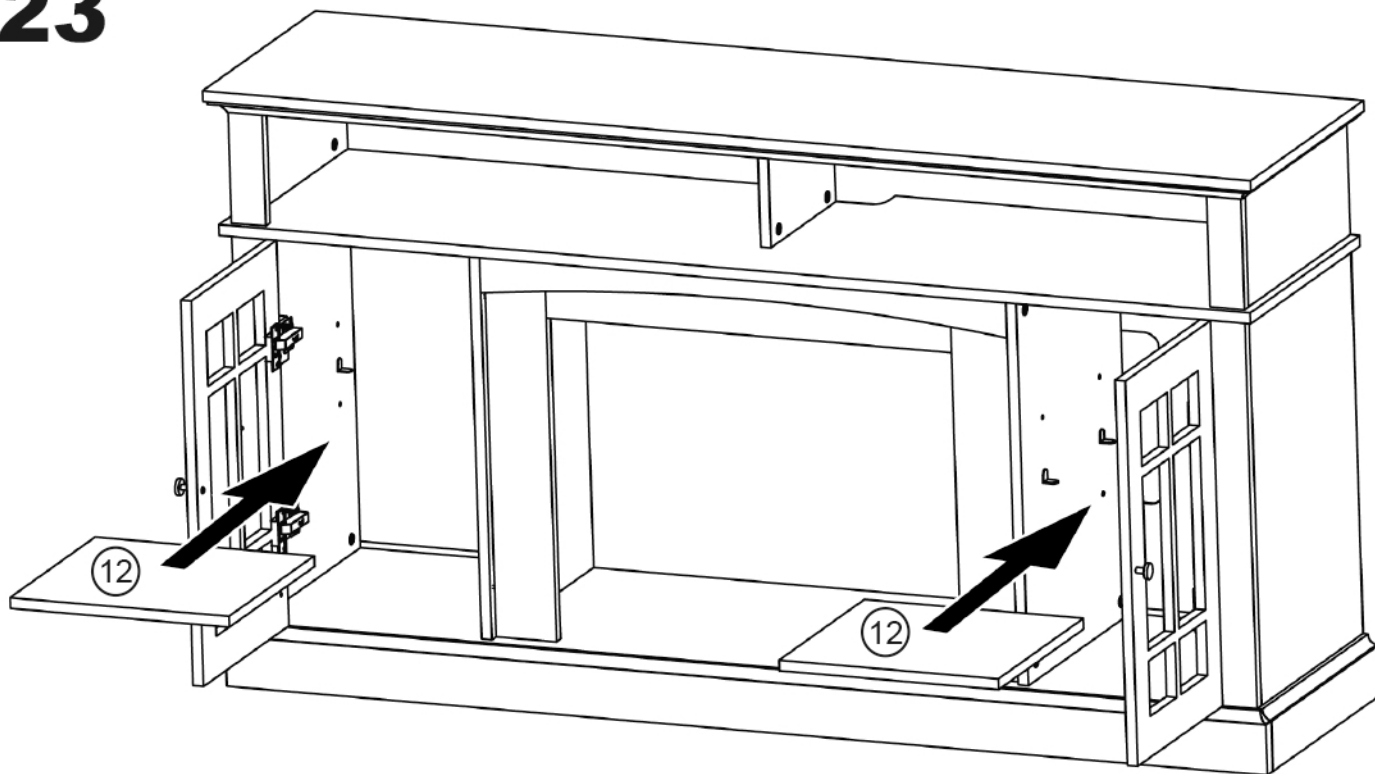


(K) 16x

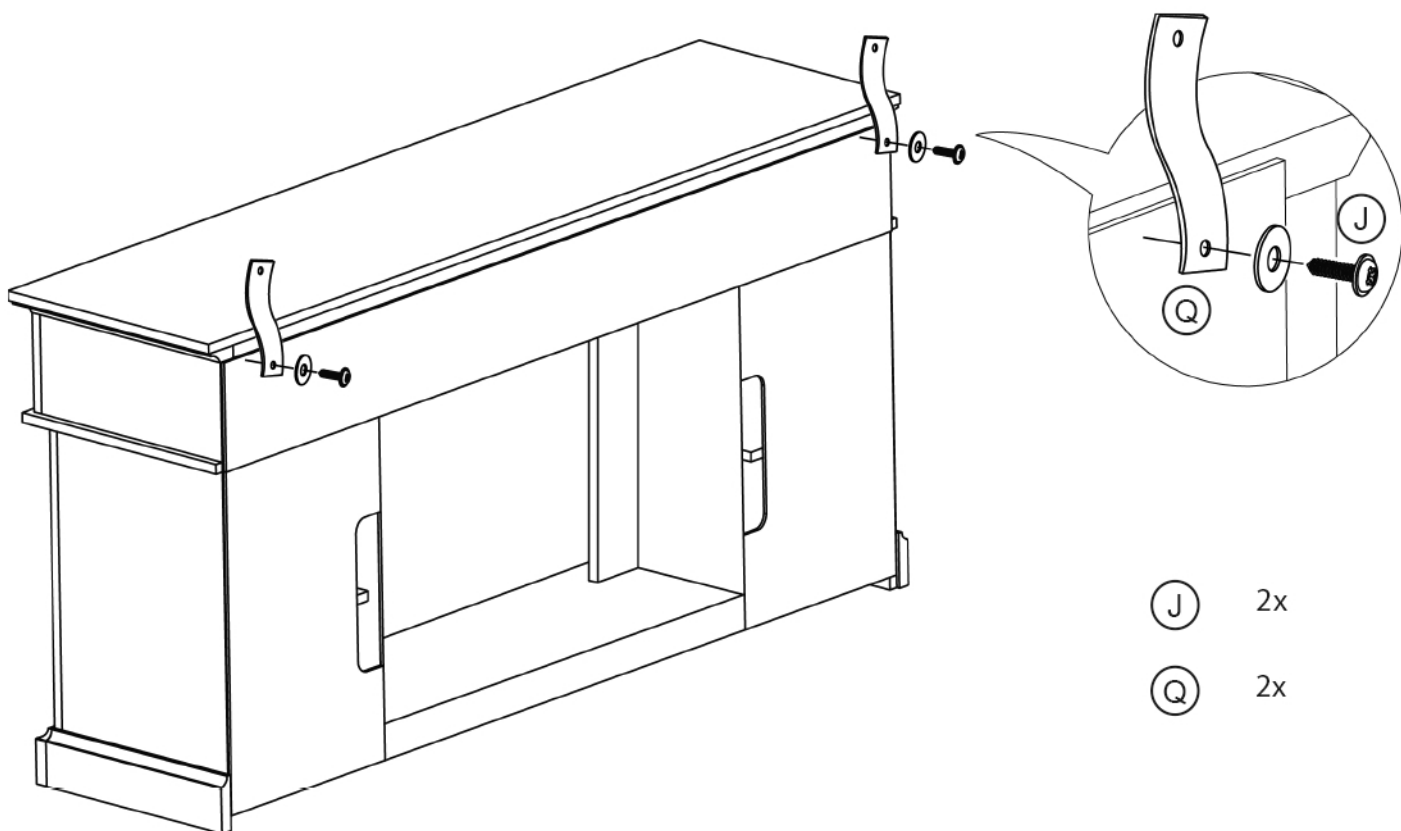


Door Hinge position adjustment

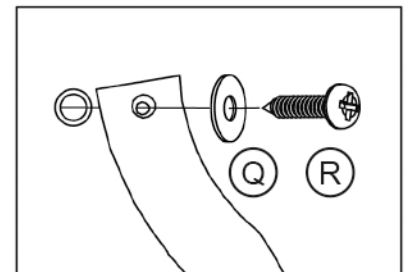
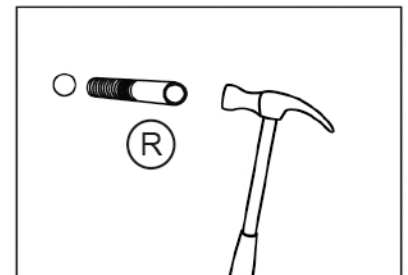
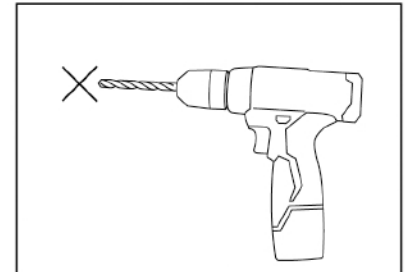
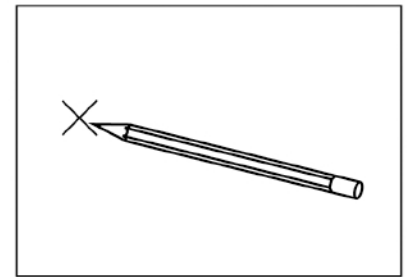
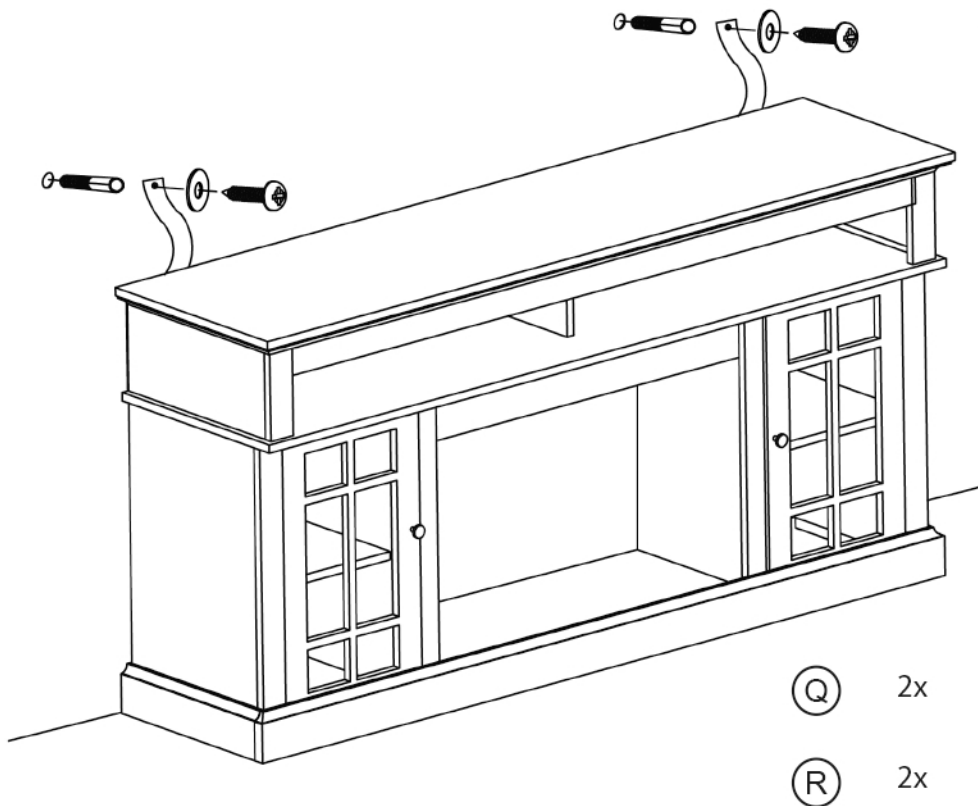
23



24



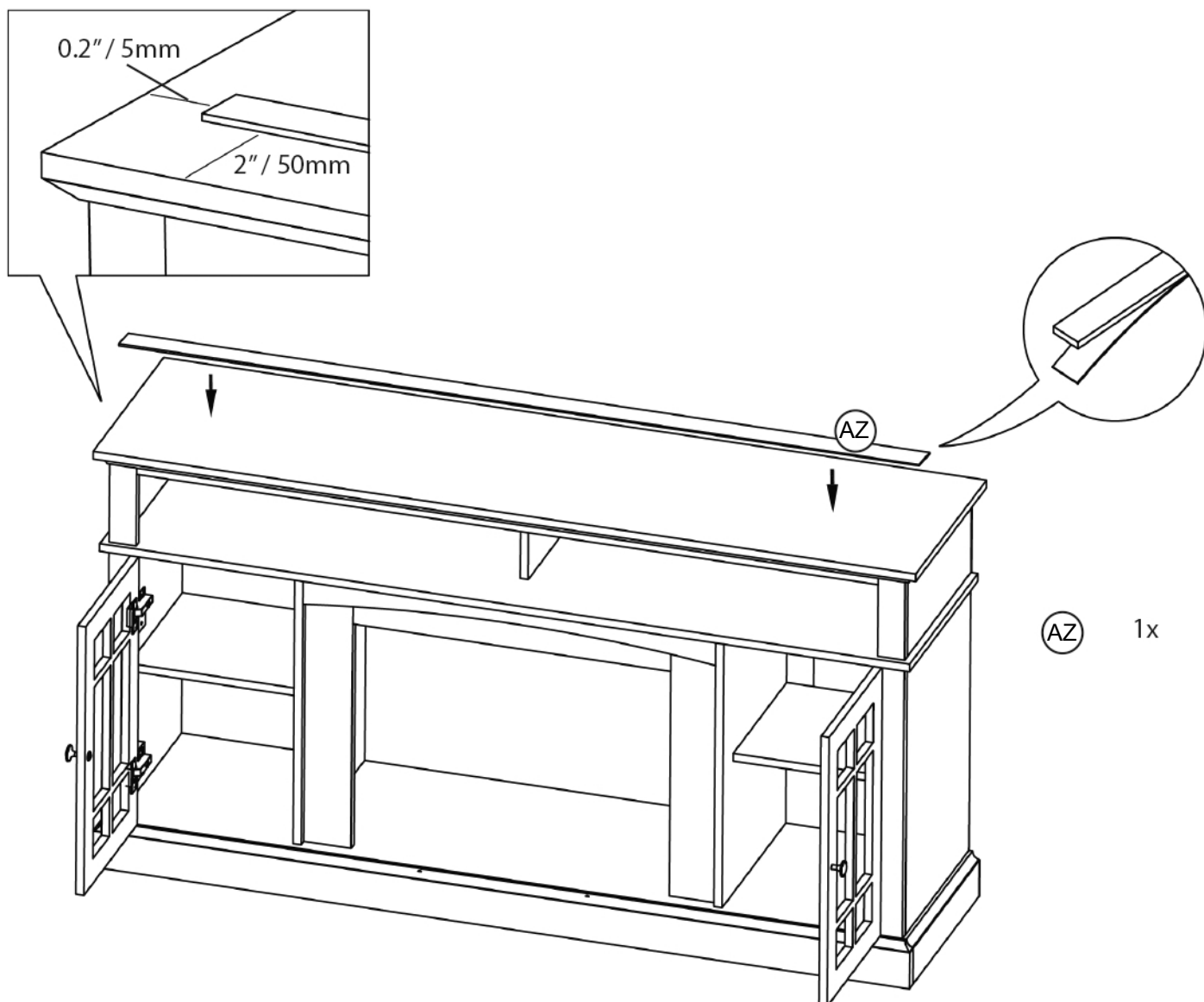
25



Furniture must permanently fixed to the wall stud with included anti-tipping device to prevent the furniture from tipping over.

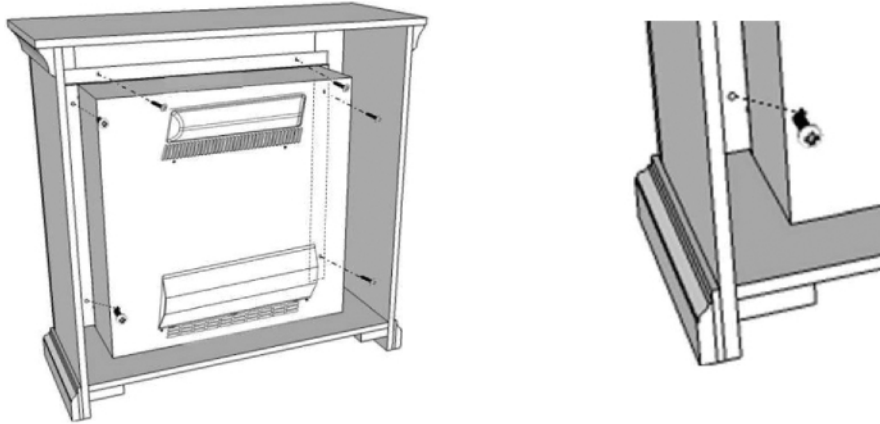
- Mark the drill position on the wall with a pencil.
- Drill a small hole on the marked position.
- Insert a wall anchor into the drilled hole.
- Fixed the anti tipping strap to the wall with provided screws.

26



NOTE: put the TV behind to the wood trim to prevent fall off.

FINISH!



FIREPLACE INSTALLATION

If you decide to install the fireplace into the mantel, carefully set the unit from the back of the mantel and center it in the opening.

Check the alignment and attach the unit to the mantel by inserting screws through the drilled holes on the trim to the mantel.

NOTE: Do not attempt to install the unit from the front of the mantel. It will not fit.

FURNITURE CARE AND MAINTENANCE

Medium - Density Fiberboard

Thank you for your purchase. We want your item to last as long as possible. To ensure the product gives you years of service, please refer to this care and maintenance guide.



MAINTENANCE

- Tighten all bolts and screws again within the first 2 weeks of assembly.
- Check the tightness of all bolts every 2 months, tighten them if necessary.



CLEANING

- Clean the surface of the MDF (medium - density fiberboard) with a lightly dampened cloth.
- Small amount of mild soap can be used if necessary.
- Dry the surface immediately after cleaning.

⚠ DO NOT use bleach or alcohol detergent to clean the surface.

⚠ DO NOT apply wood treatment on parts made with MDF.

Medium - density fiberboard will swell and distort when suffer from water damage. Make sure to dry the furniture immediately after cleaning.

⚠ WARNING

Manufacturer and seller expressly disclaim any and all liability for personal injury, property damage or losses, whether direct, indirect, or incidental, resulting from the incorrect attachment, improper use, inadequate maintenance, unapproved modification or neglect of this product.

Warranty

products come with a 1 year warranty from the date of purchase. In any event that the product arrives damaged or missing parts, we are more than happy to provide you with replacement part(s).

Register your product on our website to enjoy extended warranty!!