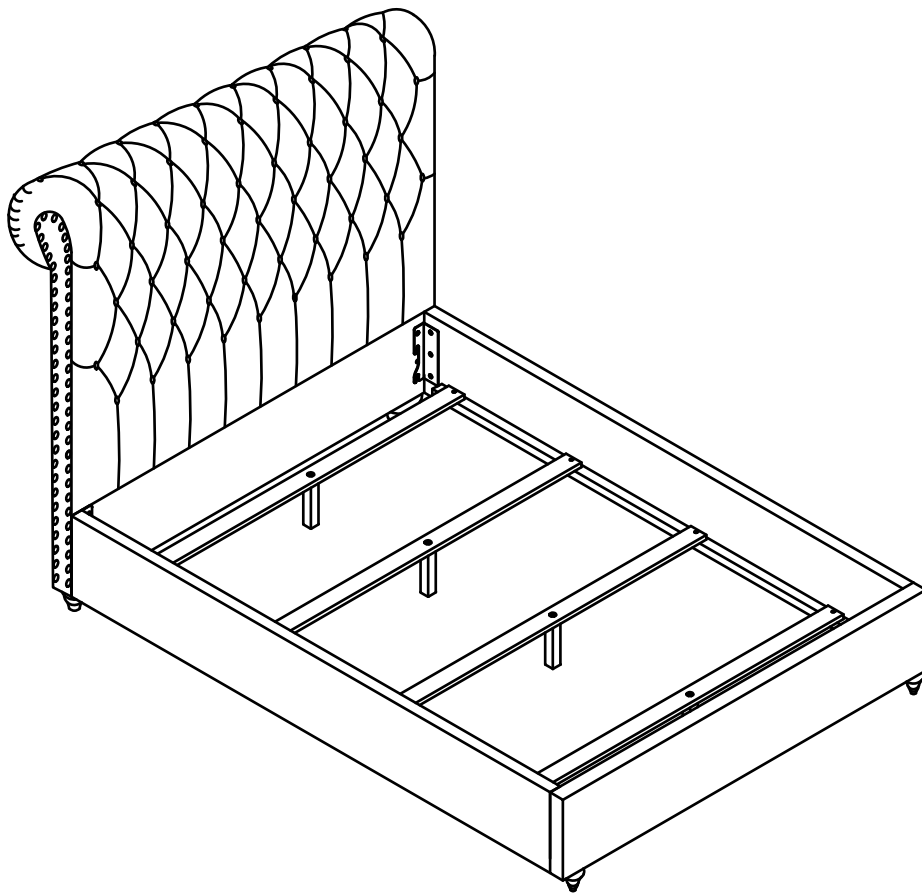


**ASSEMBLY INSTRUCTIONS**  
**COASTER FINE FURNITURE**



*Fine Furniture for every stage of life*

**360341Q(B1&B2)**  
***Queen Bed***

# ITEM: 360341Q(B1&B2)

## ASSEMBLY INSTRUCTIONS

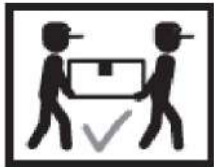
### ASSEMBLY TIPS:

1. Remove hardware from box and sort by size.
2. Please check to see that all hardware and parts are present prior to start of assembly.
3. Please follow attached instructions in the same sequence as numbered to assure fast & easy assembly.

### WARNING!



1. Don't attempt to repair or modify parts that are broken or defective. Please contact the store immediately.
2. This product is for home use only and not intended for commercial establishments.



ASSEMBLY TIME

30 MINUTES

## PARTS IDENTIFICATION

### B1 (BOX 1)

A	HEADBOARD PANEL		1PC	B	HEADBOARD LEG		2PCS
---	-----------------	--	-----	---	---------------	--	------

### B2 (BOX 2)

C	FOOTBOARD PANEL		1PC	D	FOOTBOARD LEG		2PCS
E	BED RAIL		2PCS	F	BED SLAT		4PCS
G	BED SLAT SUPPORT WITH LEVELER		4PCS				
HB	360341Q(B1) FROM BOX 1 HEADBOARD COMPLETE		1PC	FB	360341Q(B2) FROM BOX 2 FOOTBOARD COMPLETE		1PC

# ITEM: 360341Q(B1&B2)

## ASSEMBLY INSTRUCTIONS

### ASSEMBLY TIPS:

1. Remove hardware from box and sort by size.
2. Please check to see that all hardware and parts are present prior to start of assembly.
3. Please follow attached instructions in the same sequence as numbered to assure fast & easy assembly.




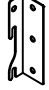


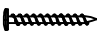


### WARNING!

1. Don't attempt to repair or modify parts that are broken or defective. Please contact the store immediately.
2. This product is for home use only and not intended for commercial establishments.

## HARDWARE IDENTIFICATION

### Z-B2 (BOX 2) - HARDWARE PACK IS LOCATED IN 360341Q(B2)

1	<b>ALLEN WRENCH</b> (5mm - BLK)		1PC	2	<b>BOLT</b> (Ø 5/16" x 32mm - BLK)		24PCS
3	<b>HEADBOARD CORNER BRACKET - RIGHT</b> (200mm x 60mm x 40mm x2mm - BLK)		2PCS	4	<b>HEADBOARD CORNER BRACKET - LEFT</b> (200mm x 60mm x 40mm x2mm - BLK)		2PCS
5	<b>LOCK WASHER</b> (Ø 5/16" -BLK)		24PCS	6	<b>FLAT WASHER</b> (Ø 5/16" - BLK)		24PCS
7	<b>FLAT HEAD SCREW</b> (M4 x 30mm - BLK)		8PCS				

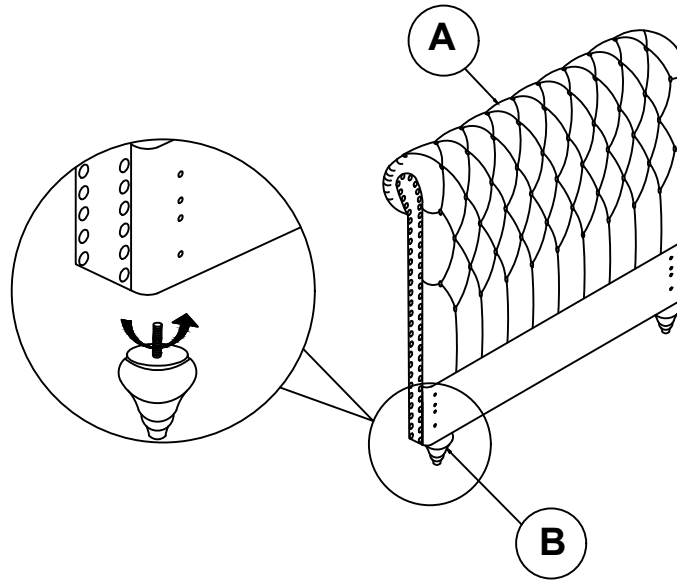
### NOTE:

Phillips head screw driver is required in the assembly process; however, manufacturer does not provide this item.

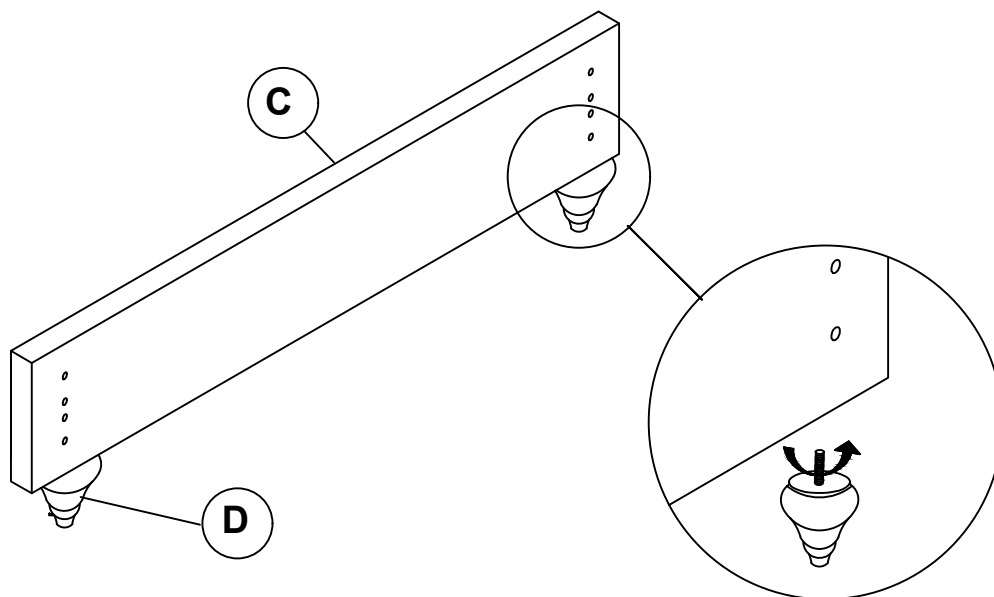
ITEM: **360341Q(B1&B2)**

**ASSEMBLY INSTRUCTIONS**

**STEP 1**



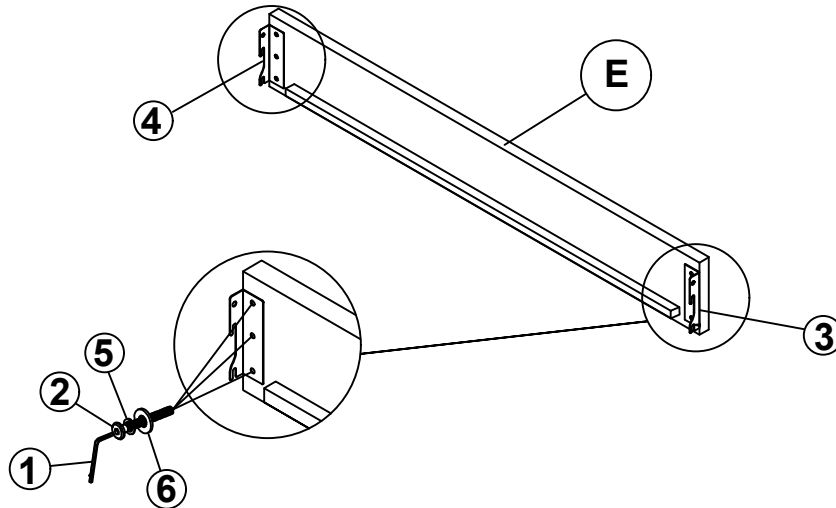
**STEP 2**



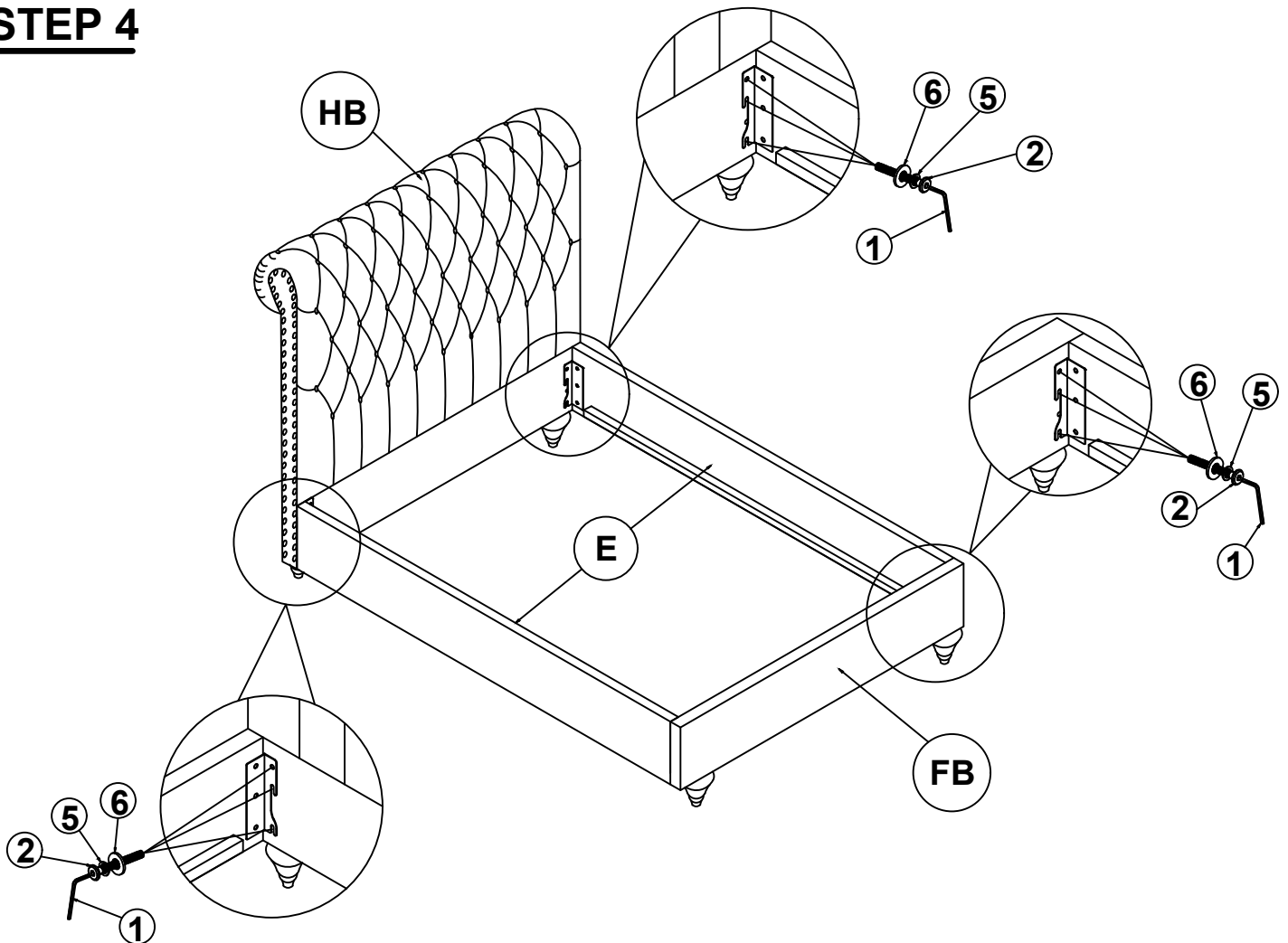
# ITEM: 360341Q(B1&B2)

## ASSEMBLY INSTRUCTIONS

### STEP 3



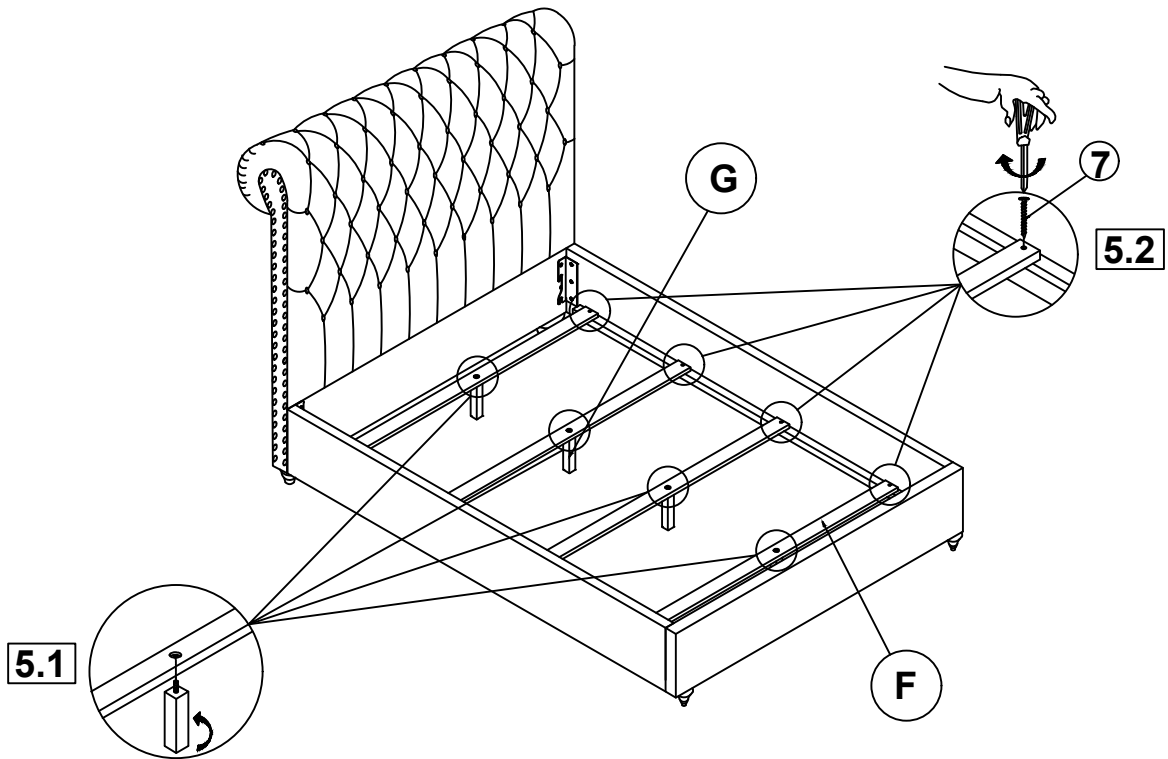
### STEP 4



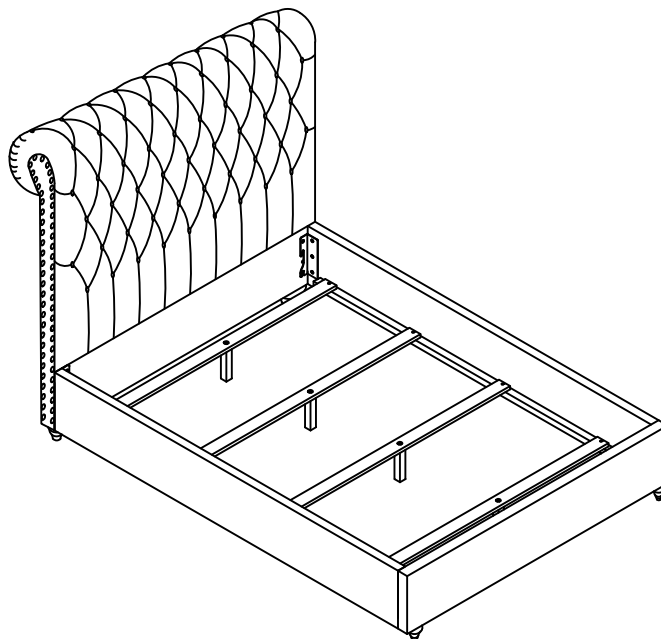
# ITEM: 360341Q(B1&B2)

## ASSEMBLY INSTRUCTIONS

### STEP 5

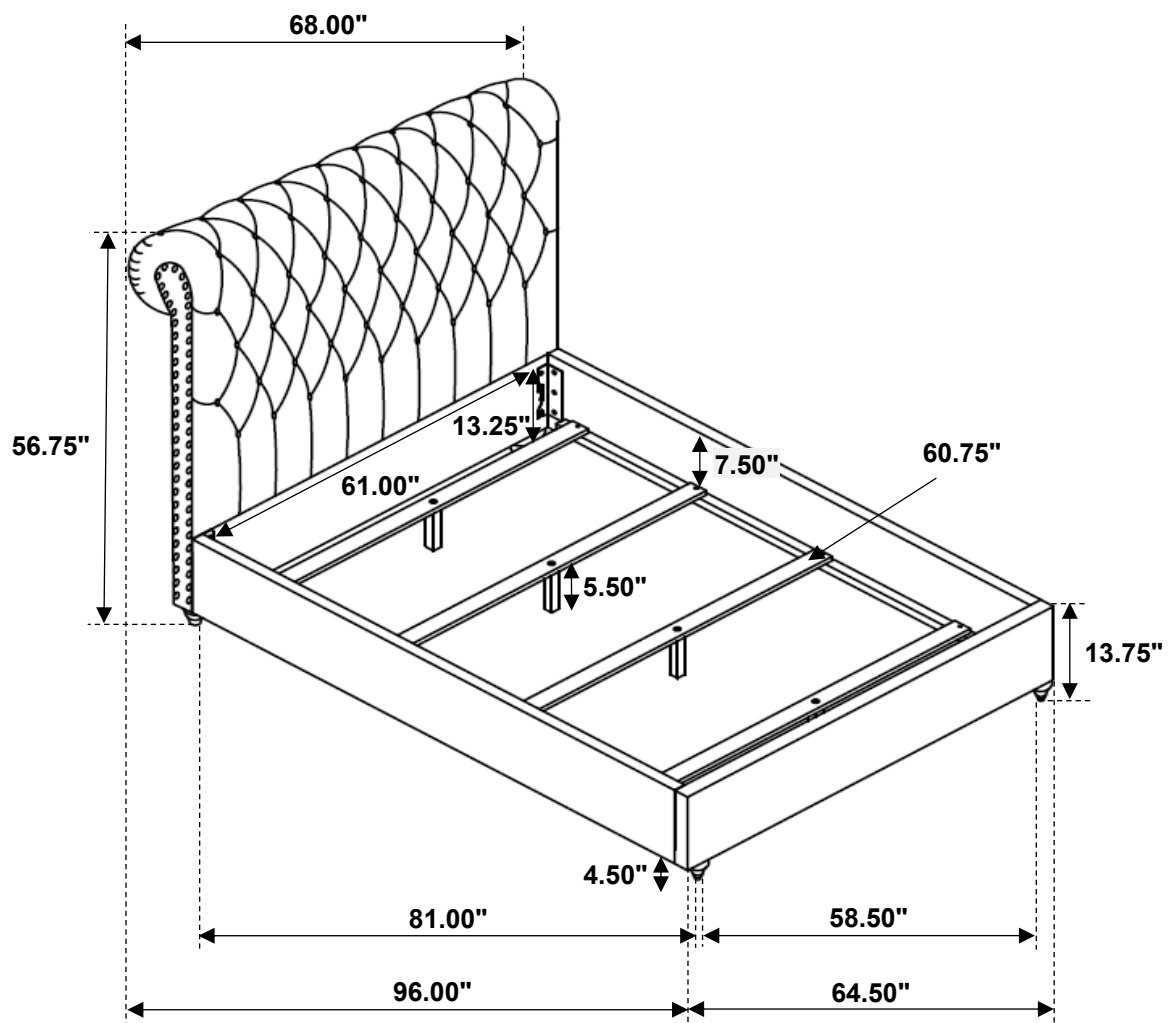


### STEP 6 COMPLETE



# ITEM: 360341Q(B1&B2)

Inner Size : 61.00"W x 81.00"D



Note: Dimension tolerance  $\pm 5\%$