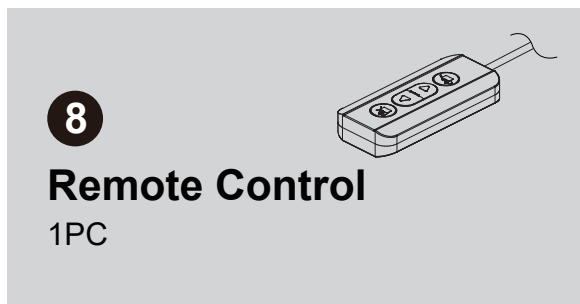
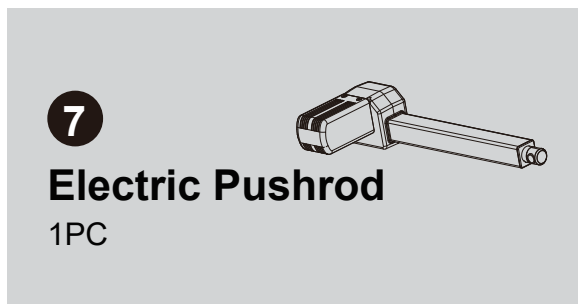
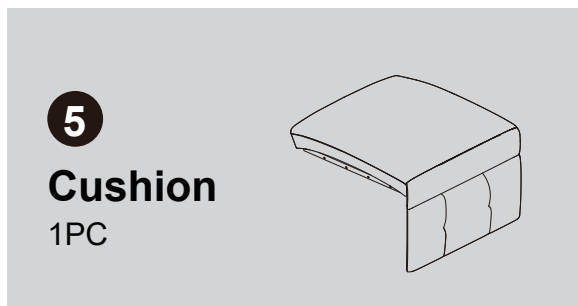
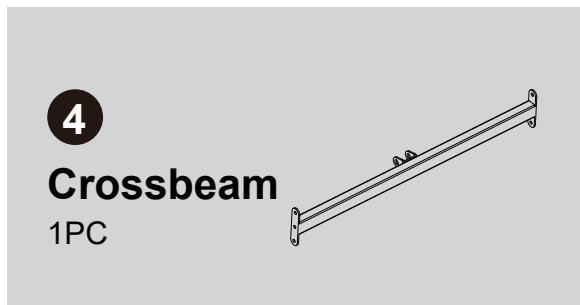


Owner Manual

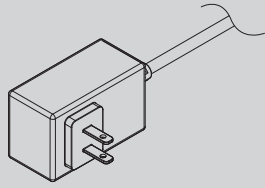
SEAT BASE



9

Power

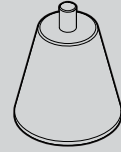
1PC



10

Adjustable feet

4PC



11

M8X20mm

12PC



12

M6X11mm

5PC



13

M6X15mm

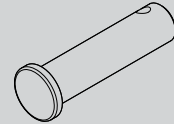
5PC



14

Ø10x40mm

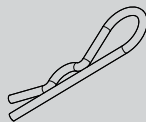
2PC



15

R-clip

2PC



16

Allen Key

S=5mm

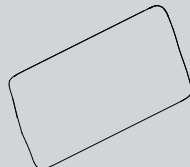
1PC



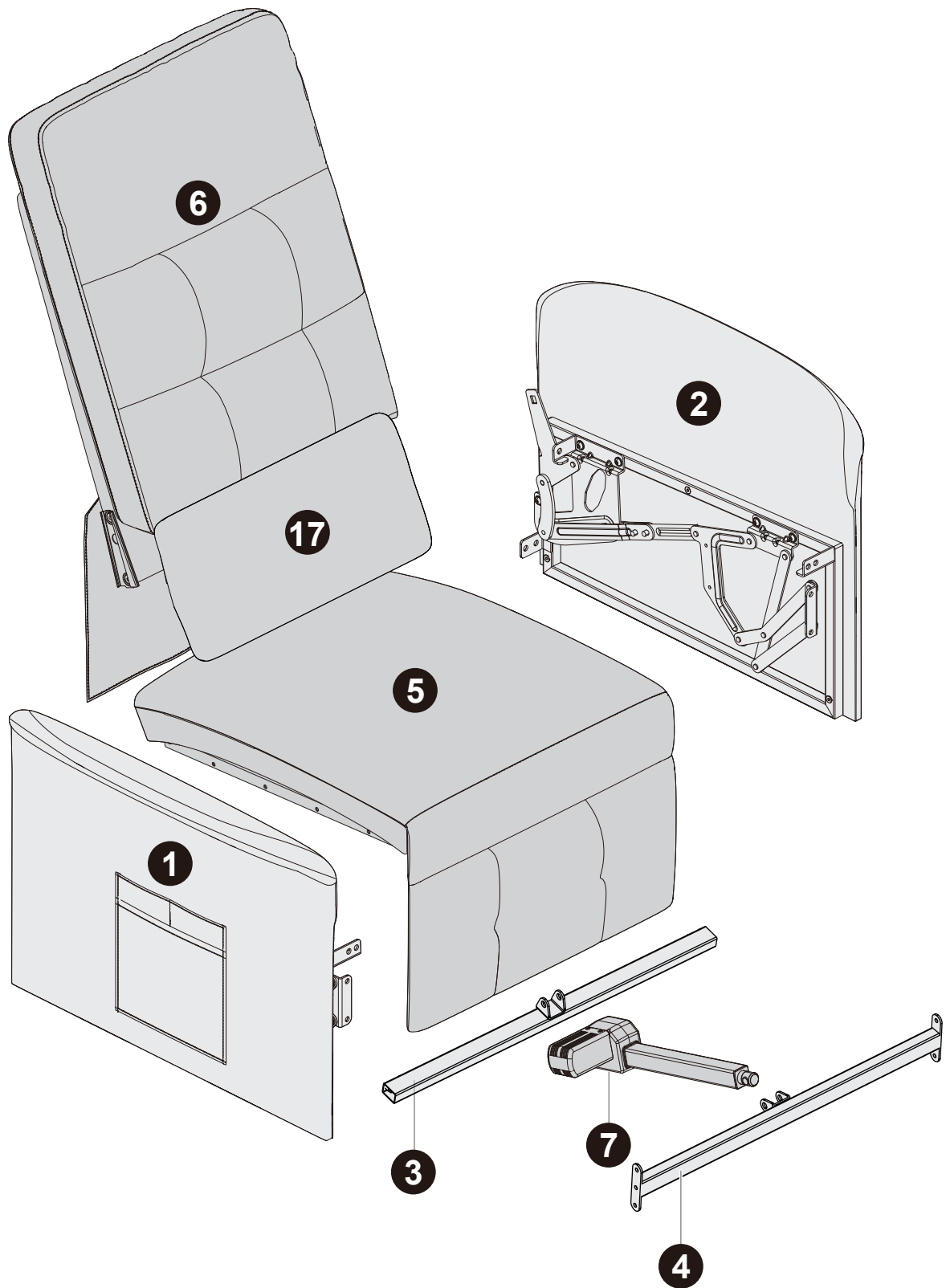
17

Back Cushion

1PC

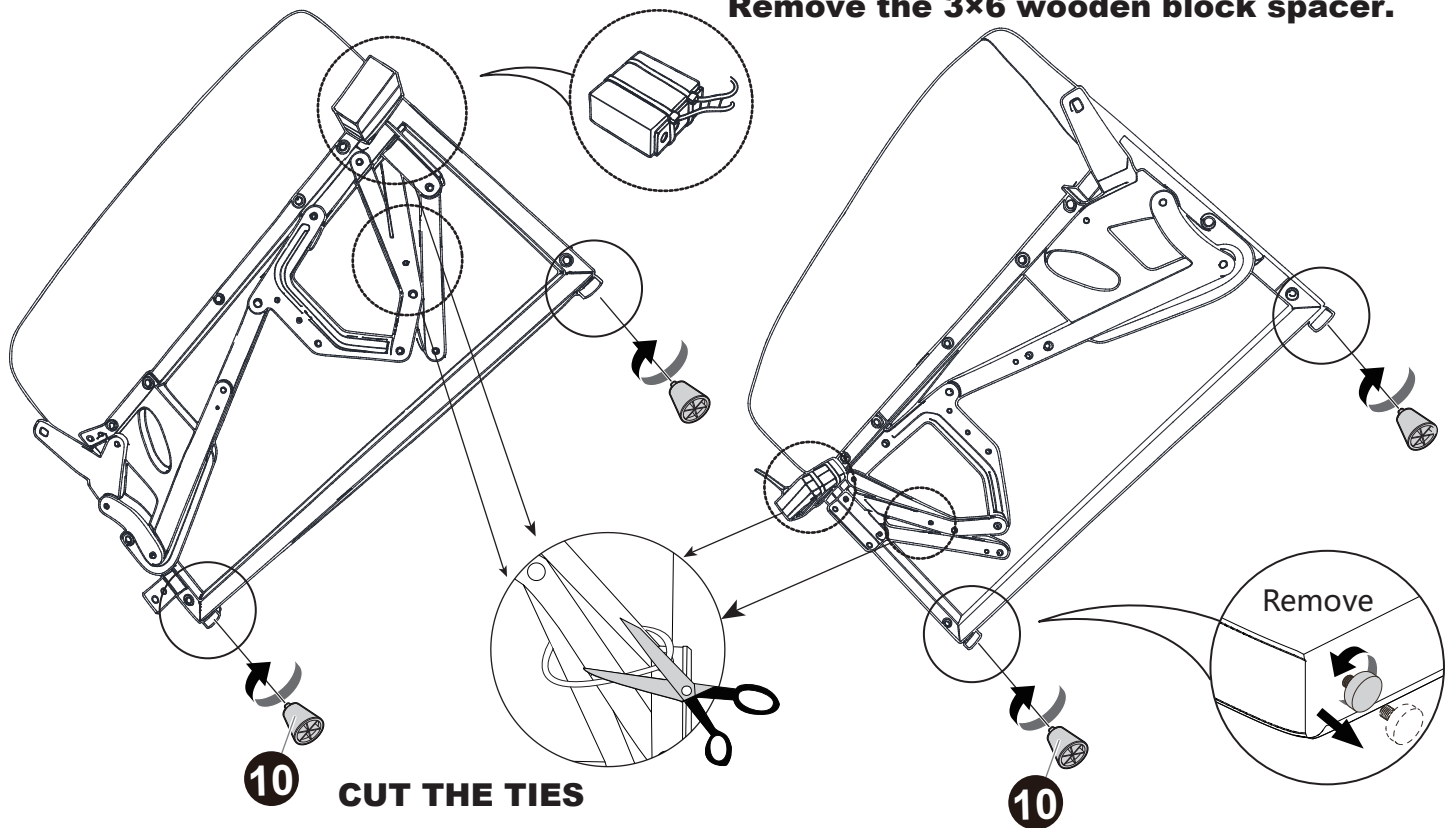


OVERVIEW

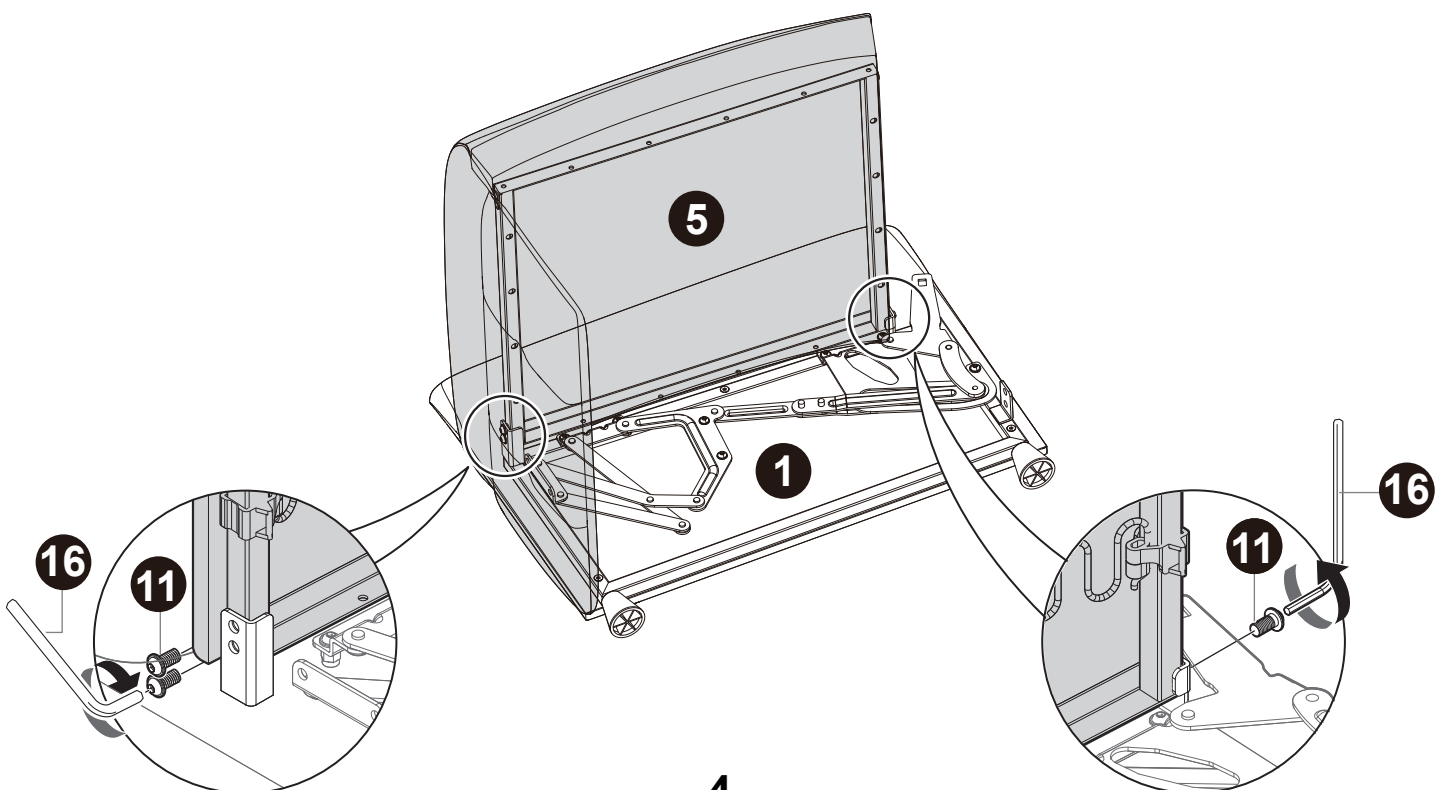


STEP 1 :Screw the plastic feet clockwise onto the bottom of the handrail.

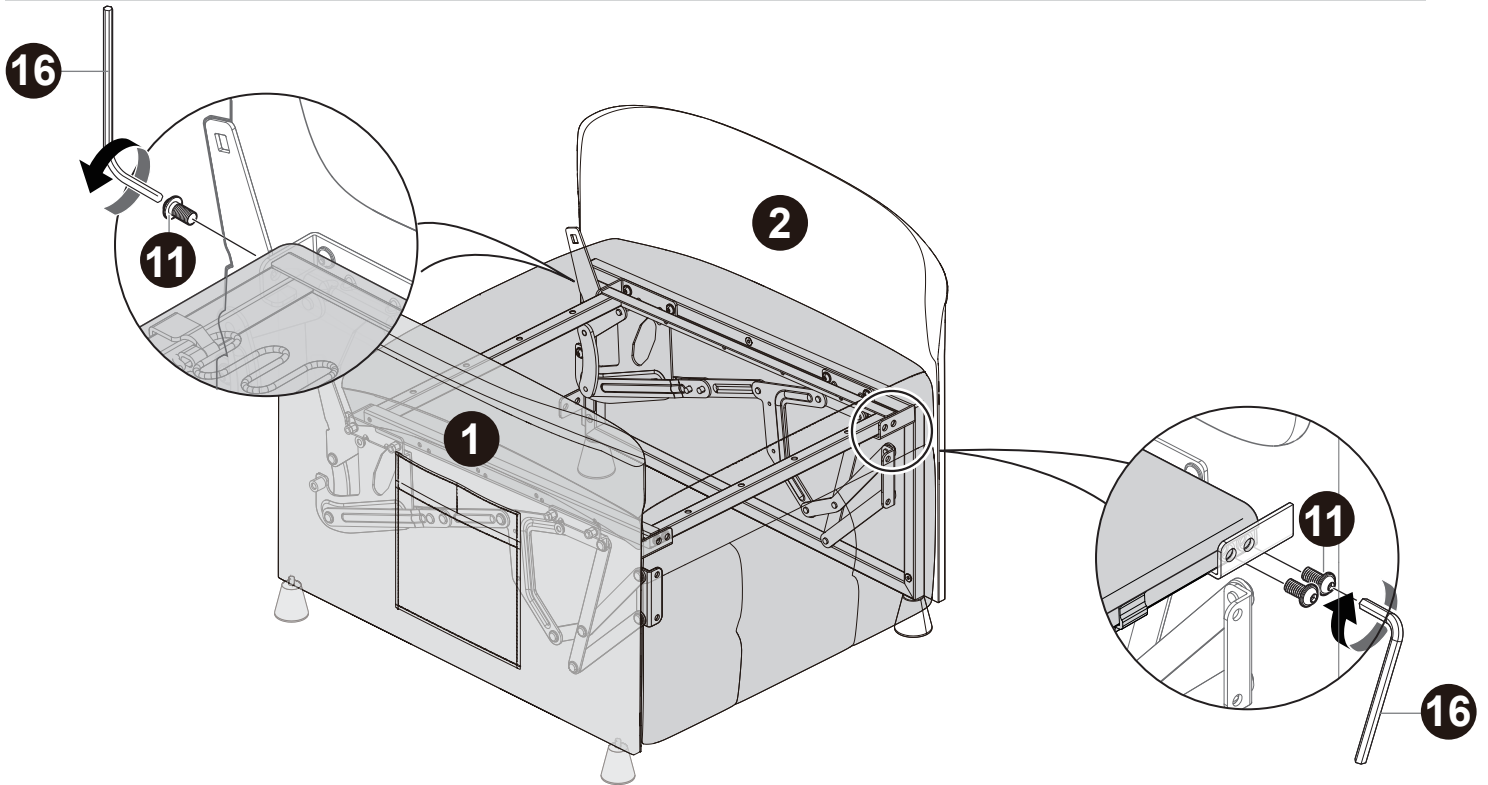
Remove the 3×6 wooden block spacer.



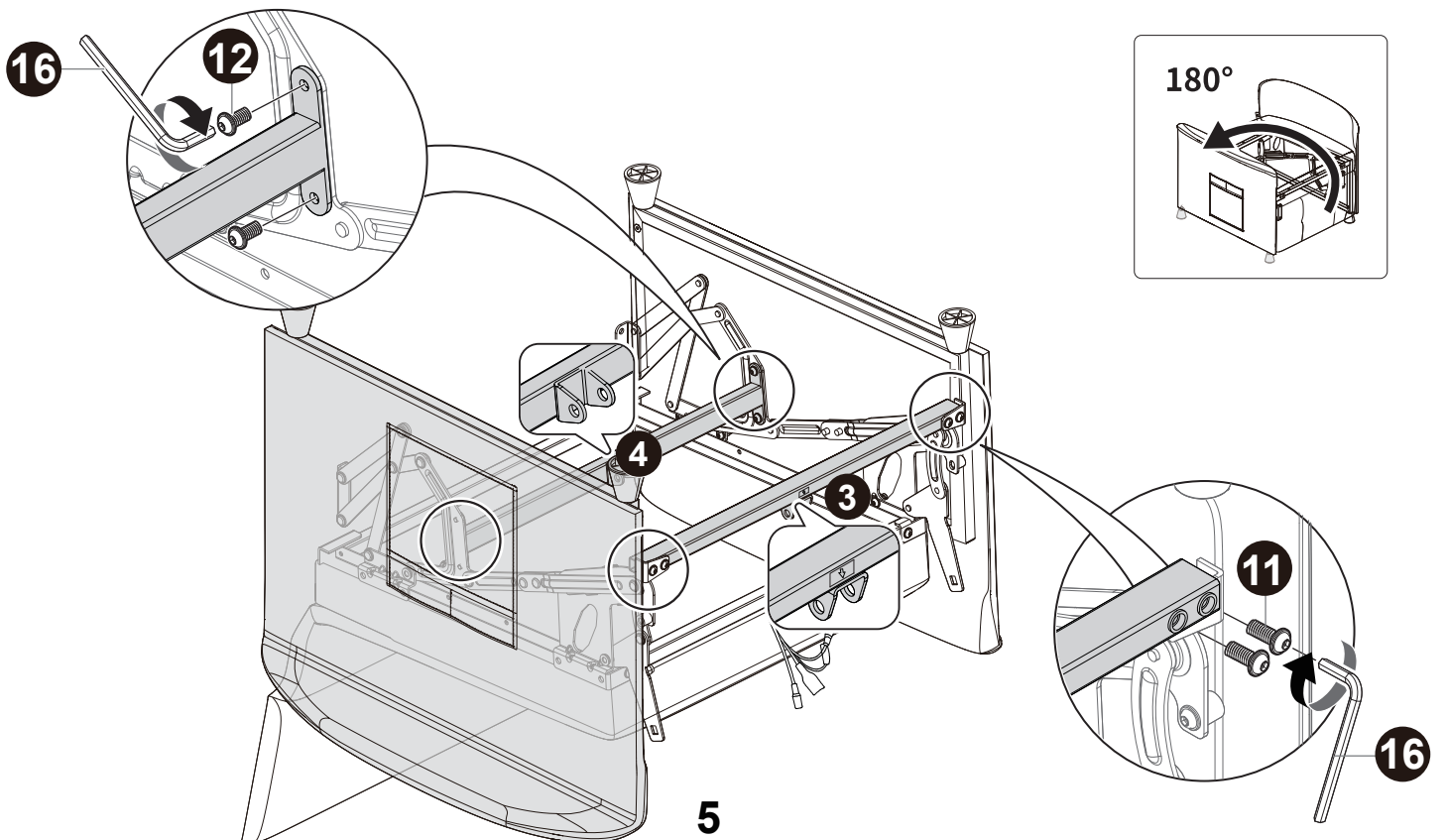
STEP 2 :Lay the right armrest flat, place the seat cushion on the right armrest, and tighten the three screws for the frame positioning.



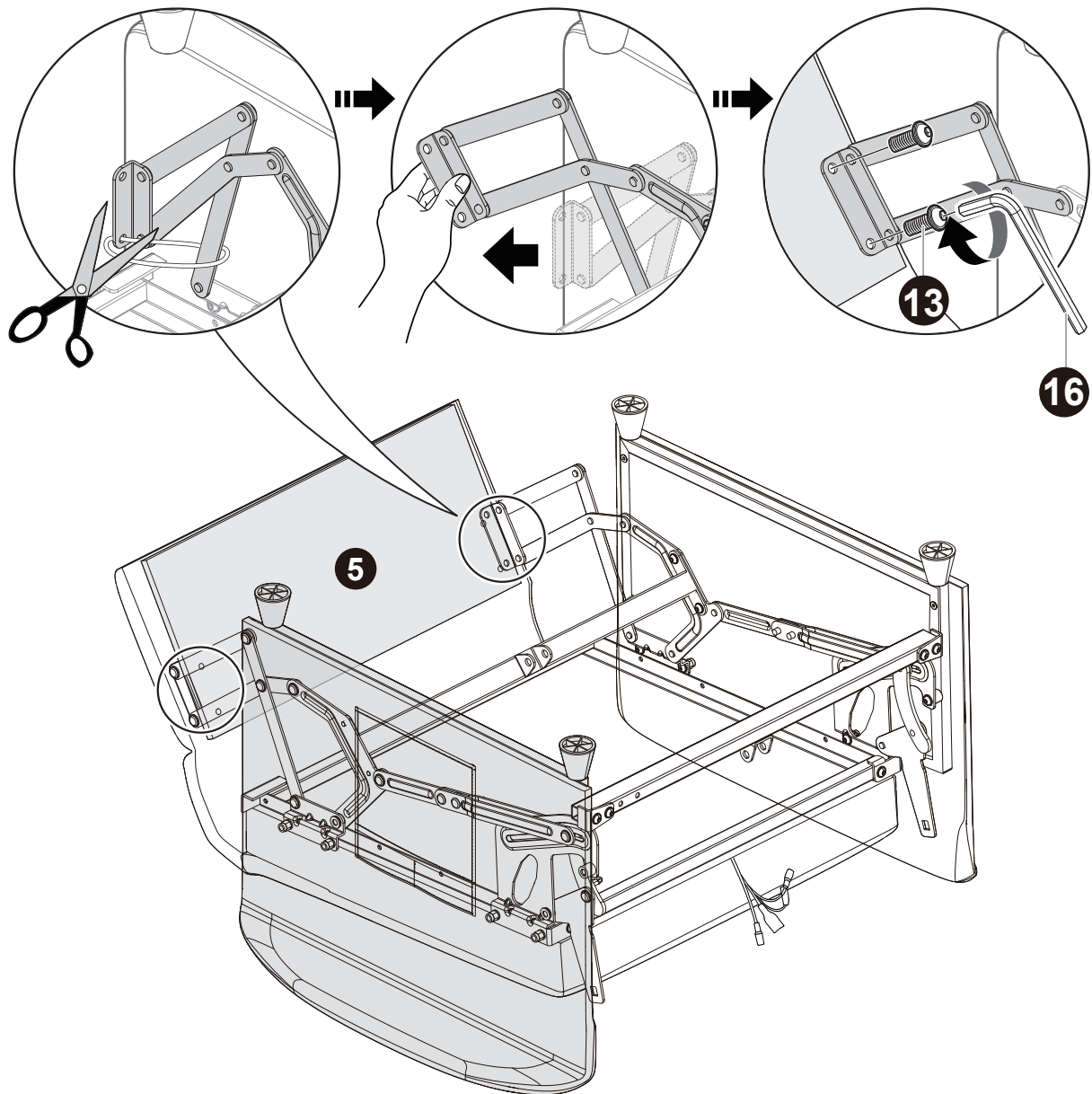
STEP 3 :Lift up the right armrest and the frame that has been screwed on, place the frame on the left armrest, and screw in the three screws at the front and back.



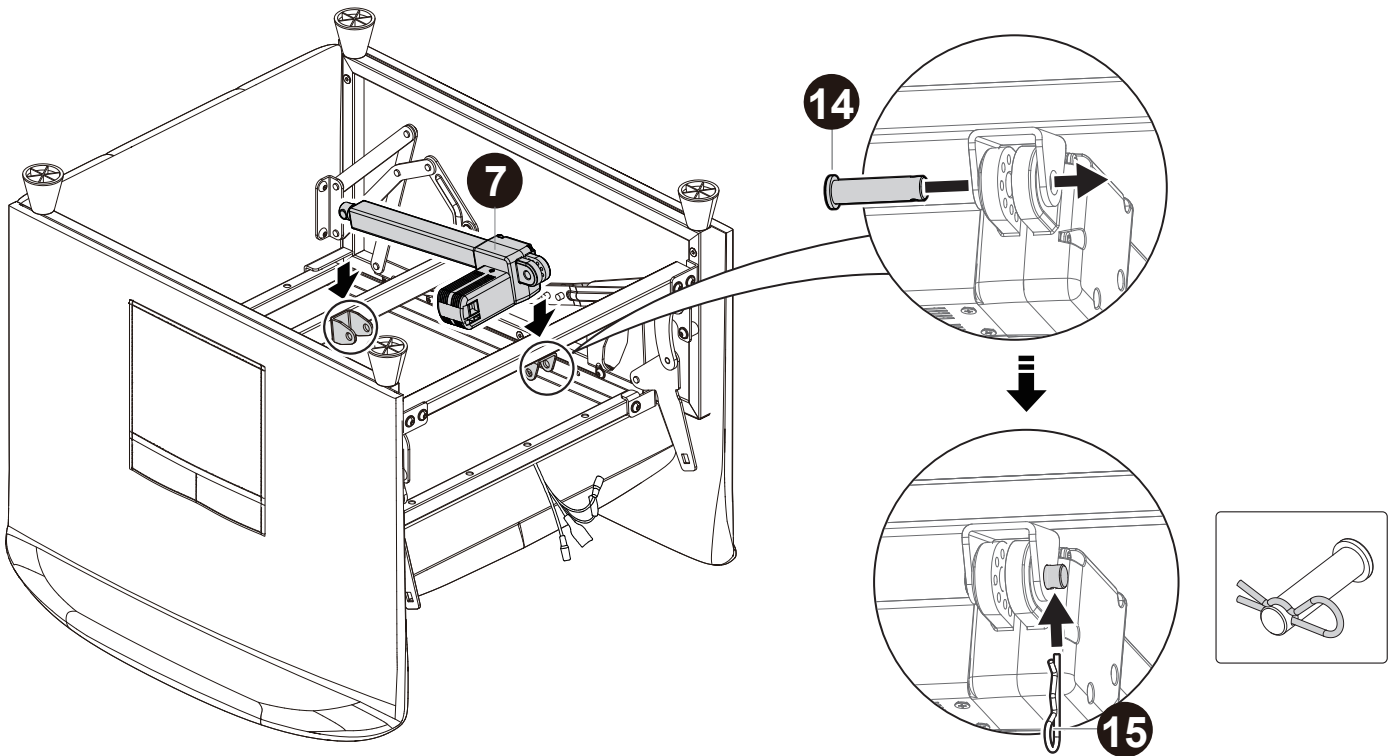
STEP 4 :Turn the sofa upside down, fix the front and rear crossbars onto the sofa, and screw them in. Pay attention to the direction of the front and rear crossbars.



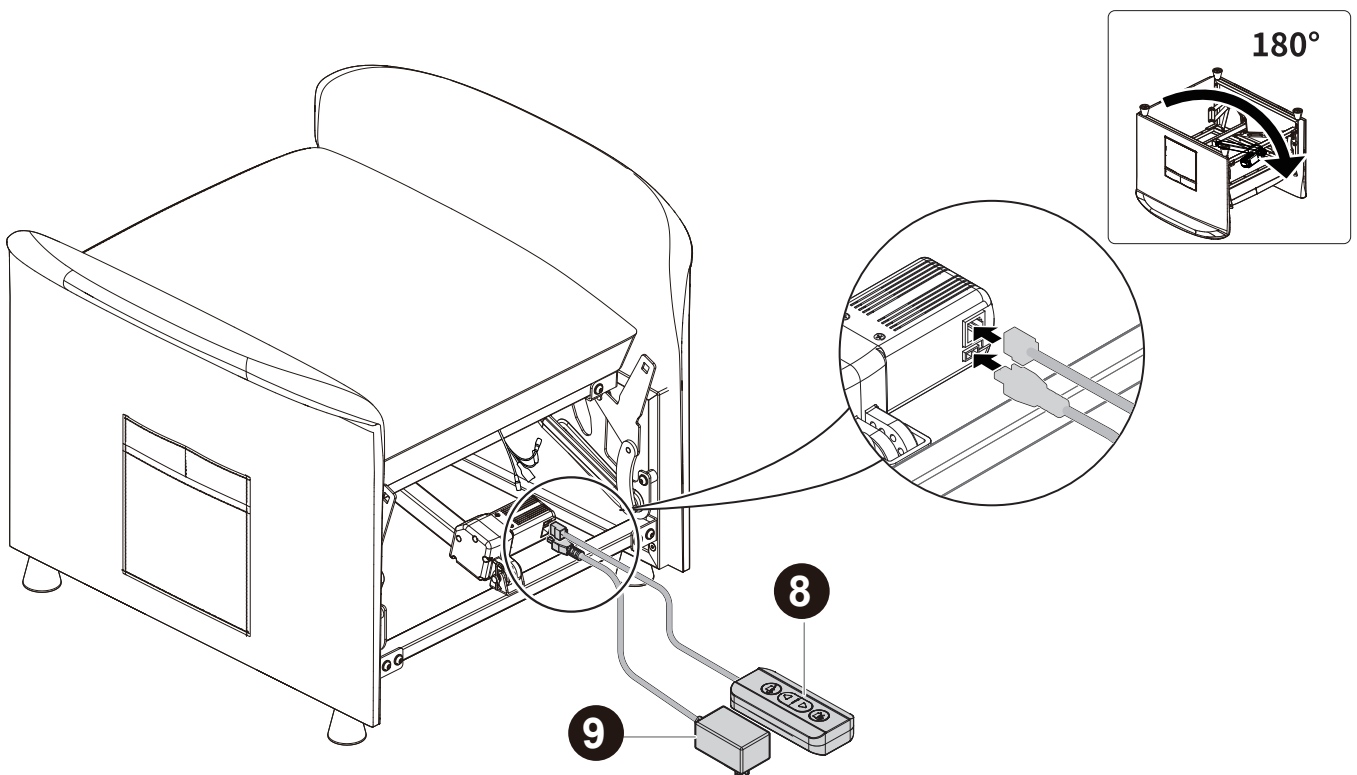
STEP 5 :Use scissors to cut the ties that fix the functional frame, then open the functional frame and align it with the hole position on the seat footboard. Secure it with screws.



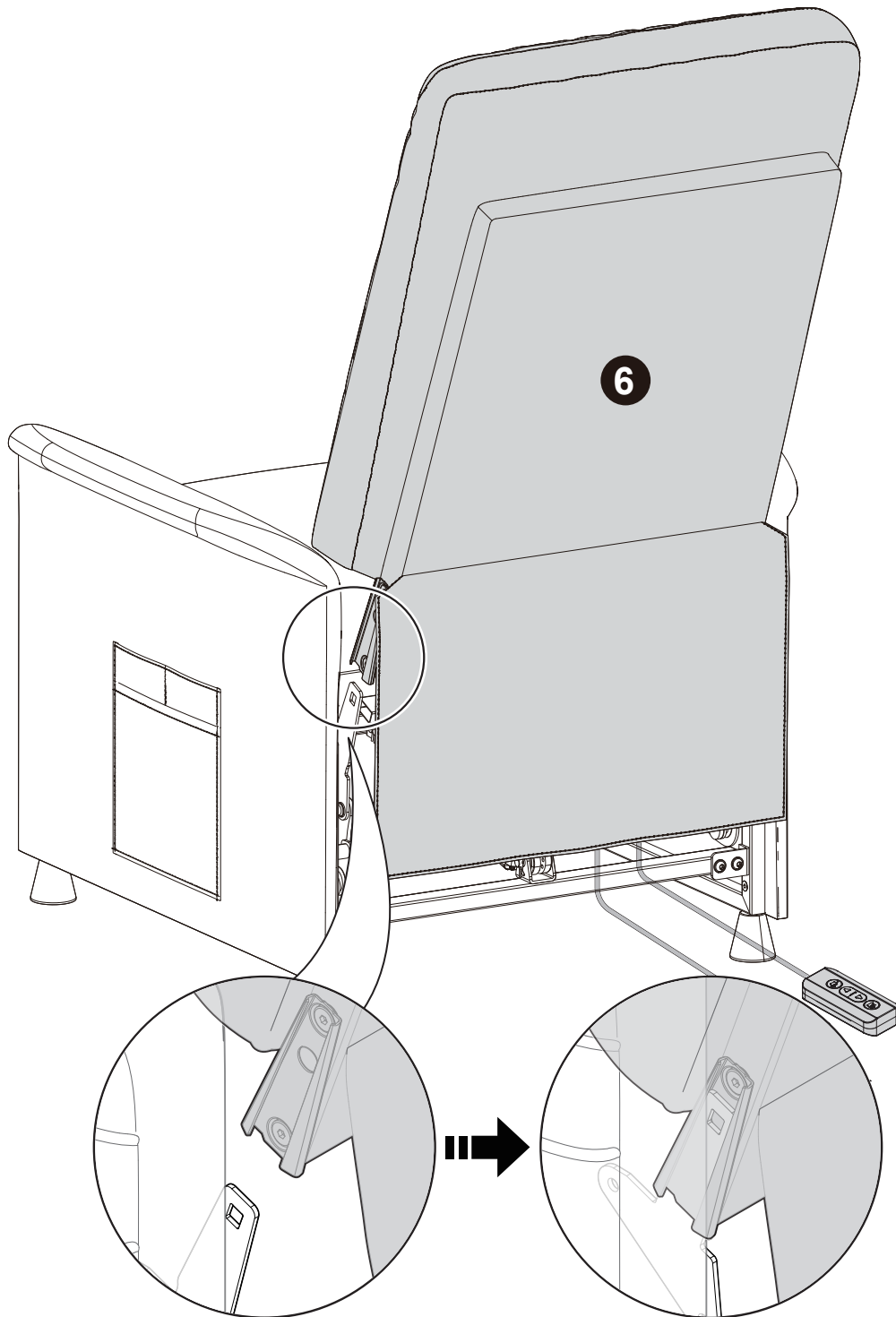
STEP 6 :Retract the footplate, fix the push rod on the front and rear crossbeams using the pin, and secure the pin with an R-shaped shaft.



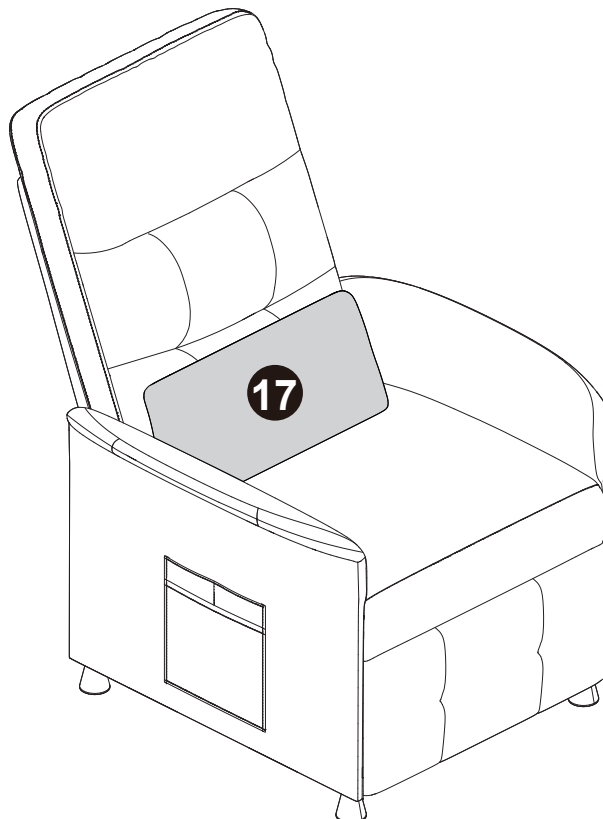
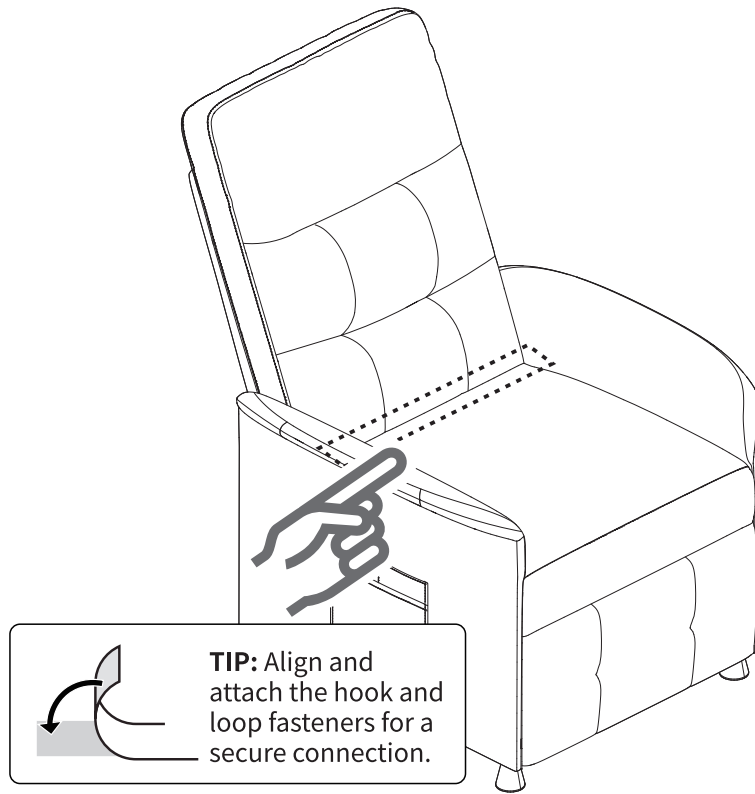
STEP 7 :Turn the sofa upside down, plug in the remote control and the power supply.



STEP 8 :Insert the back into the left and right inserts on both sides.

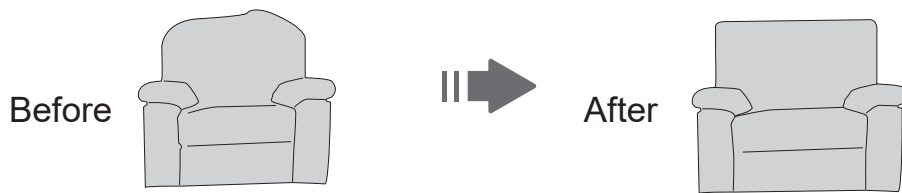


STEP 9 : Attach the Velcro strips to the back of the seat cushion and the underside of the backrest, and place the cushion inside.



THE SOFA IS TIDIED UP BEFORE USE

The sponge requires rebound time after compression, which can be patted to correct the position and accelerate rebound.



①



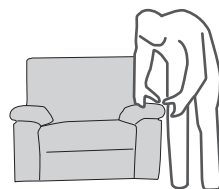
②



③

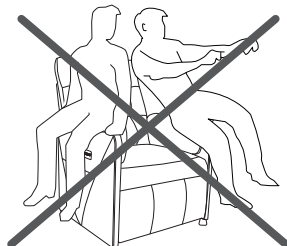
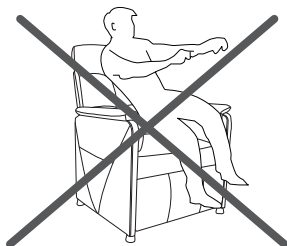
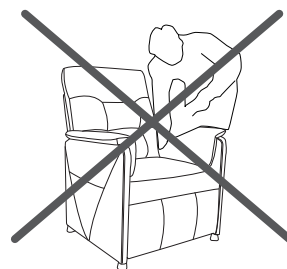
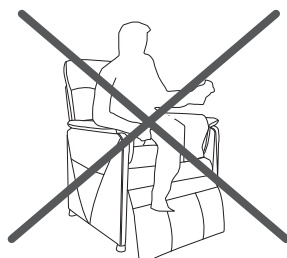
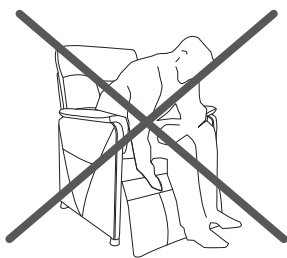


④

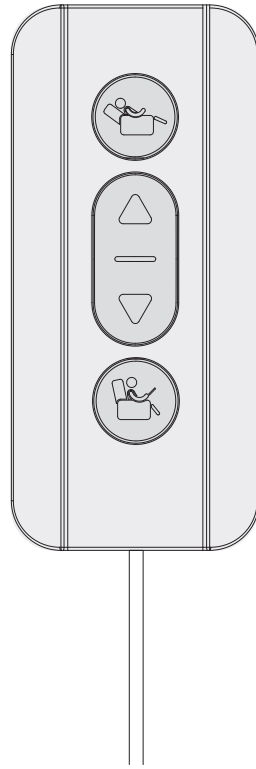


ATTENTION







ERROR EXAMPLE



MANUAL CONTROLLER INSTRUCTIONS



Operating Instructions:

1. Press the “” button to fully recline the sofa with one-touch operation.
2. Press and hold the “” button to gradually raise the sofa to the reclined position.
3. Press and hold the “” button to gradually return the sofa to the seated position.
4. Press the “” button to fully return the sofa to the seated position with one-touch operation.
5. Reset Function: Press and hold both the “” and “” buttons until the sofa starts to retract automatically. After reset is complete, the sofa will return to the sitting position.

Note: Do not place your hands or body between the backrest and the seat while adjusting the sofa.

IMPORTANT SAFETY INSTRUCTIONS

When using electrical appliances, always follow basic safety precautions, including the following:

1. Use this product on a 12V circuit. Make sure the product is connected to an outlet that has the same configuration as the plug.
2. After use and before cleaning, unplug the product from the power source.
3. Do not reach for the product if it has fallen into water. Unplug immediately.
4. Never leave the product unattended when plugged in. When not in use and before adding or removing parts, unplug the product.
5. Do not use outdoors.
6. Do not carry the product by its power cord.
7. Keep the cord away from heated surfaces.
8. Supervise small children when using the product near them.
9. Ensure children do not play with this product.
10. Do not operate where aerosol (spray) products are being used or where oxygen is being administered.
11. To disconnect, push the 'POWER' button to the 'OFF' position, make sure all functions have stopped and remove the plug from the outlet.
12. Only use this appliance for its intended purpose as described in this manual. Do not use attachments which are not provided with the unit.

HEALTH CAUTION

1. If you have any concerns regarding your health, consult your doctor before using this product.
2. Individuals with pacemakers should not use this product.
3. If you experience muscle or joint pain for long periods, stop using the product and consult your doctor.

MAINTENANCE INSTRUCTIONS

TO STORE:

1. Place the product in its original box or a dry and cool place. Keep the product away from sharp or pointed objects that could cut or puncture the fabric.
2. Do not wrap the power cord around the unit. Do not hang the unit by its power cord.

TO CLEAN:

1. Before cleaning, unplug the appliance from the power source and wait for it to cool.
2. Do not clean with water or other liquids. Wipe the fabric with a damp sponge or cloth, using a mild detergent. Pat dry with a clean, dry cloth.
3. Do not use abrasive cleaners, brushes, gasoline, kerosene, glass /furniture polish, paint thinner or water hotter than 120 °C to clean the unit.