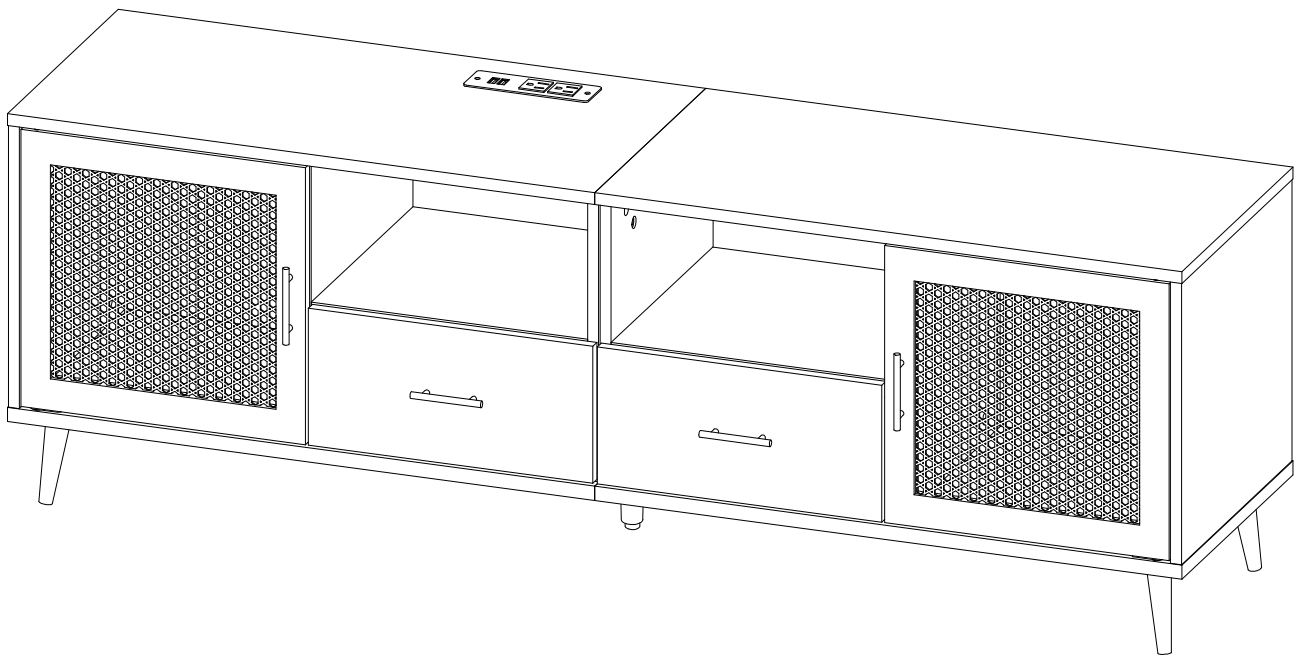


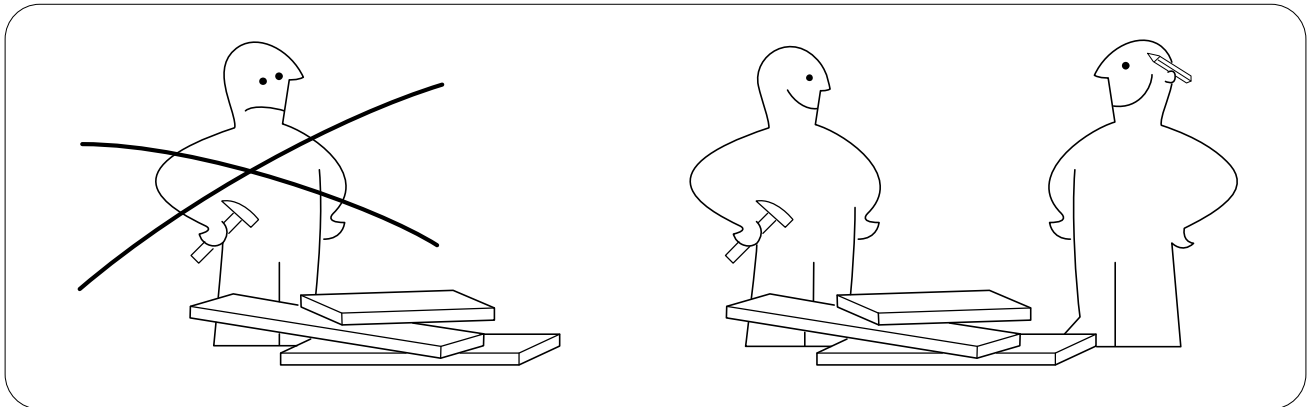
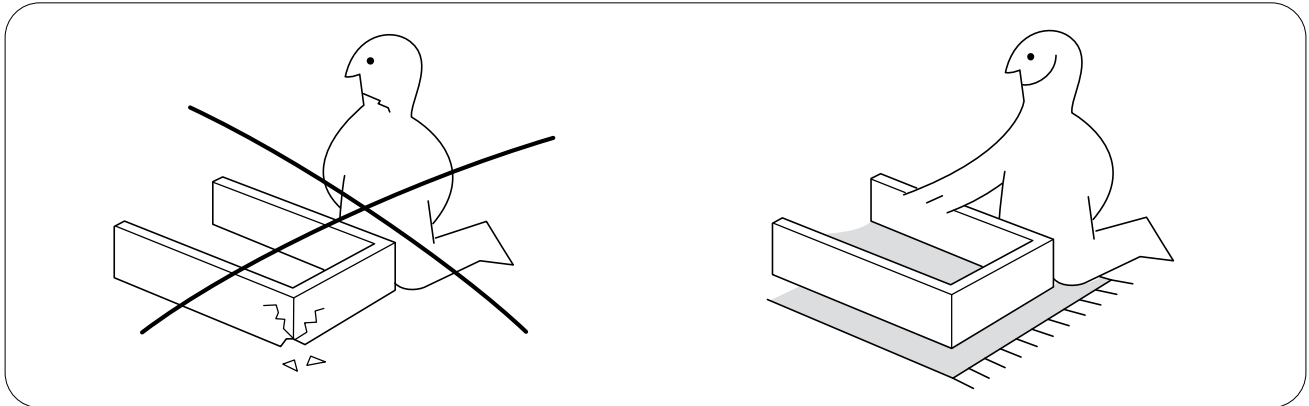
TV Cabinet

User Manual



INTRODUCTION

Thank you for purchasing our products. Committed to providing customers with the best quality products and service has always been our lifelong goal. Before using the product, please read this instruction manual carefully to ensure correct use. Keep the instruction manual in a place where the user can find it at any



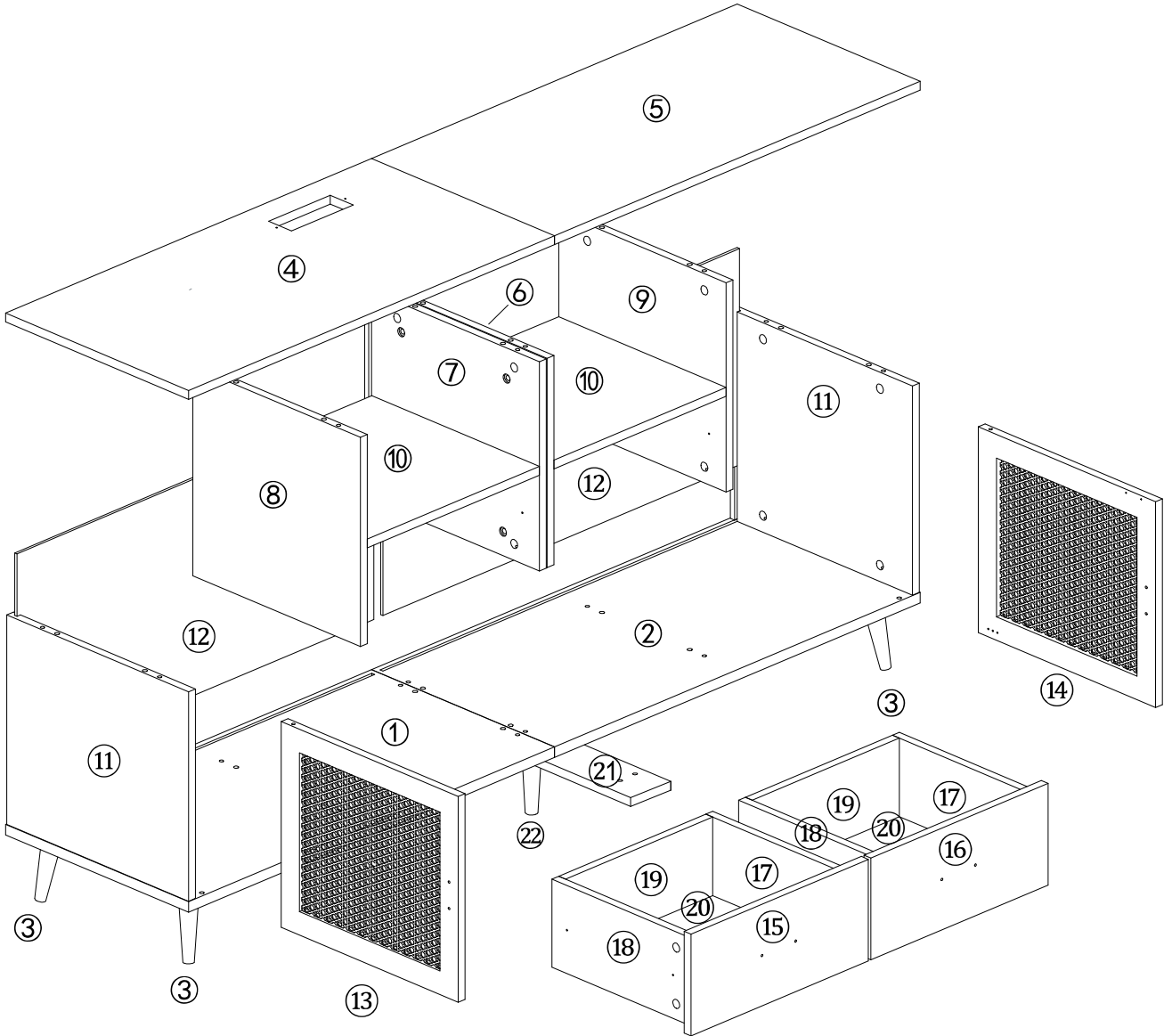
PRECAUTIONS

1. There are many components and accessories in the package. Each component and accessory is labeled with a letter or a number, check carefully before using any of them. Keep them away from children to prevent accidents.
2. Please install the product on a clean and soft underlay (such as carpet or cardboard) to avoid scratching or damaging the surface of the product.
3. The main components of the product are relatively heavy. Please pay attention to safety during installation.
4. The product is not stable during installation. Please do not move it randomly before it is completely installed.
5. If you have any questions during installation, please contact the customer service in time.

***PLEASE BE SURE TO FOLLOW THE INSTALLATION STEPS IN THE MANUAL TO AVOID UNNECESSARY LOSSES CAUSED BY IMPROPER INSTALLATION.**

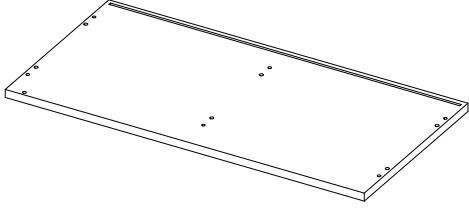
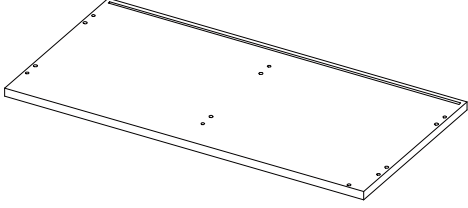
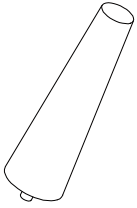
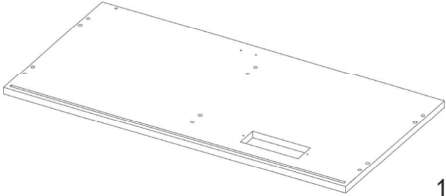
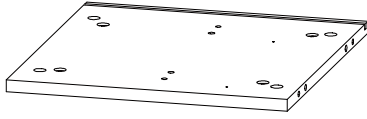
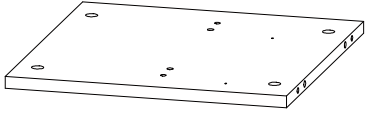
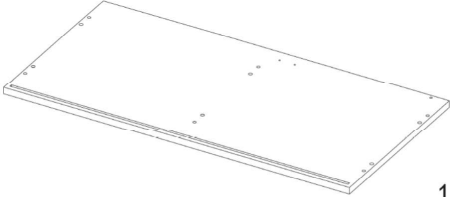
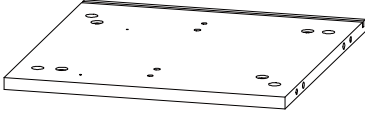
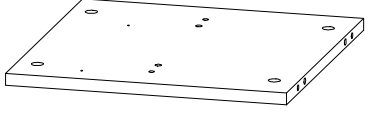
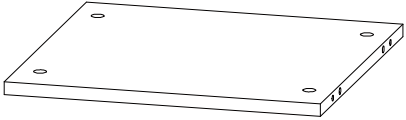
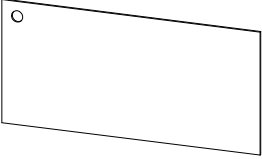
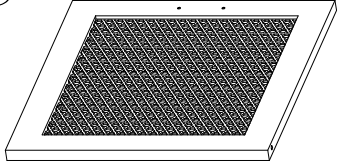
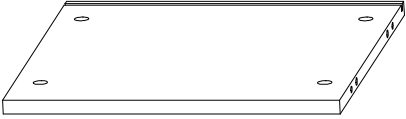
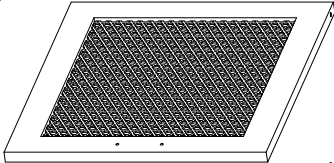
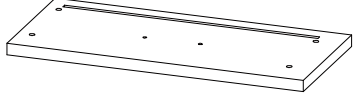
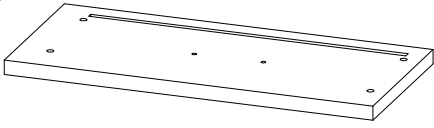
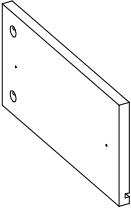
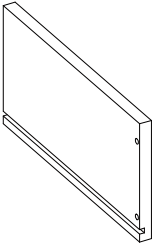
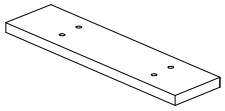
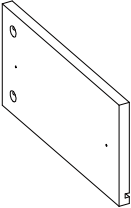
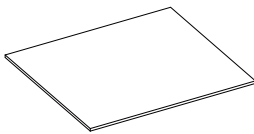
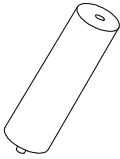
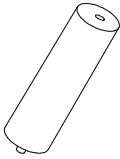
***IF YOU NEED FURTHER ASSISTANCE, PLEASE CONTACT THE CUSTOMER SERVICE**

PANEL LAYOUT



Due to the large number of boards, in order to facilitate the installation, please place the boards in order after opening the parcel and then start the installation.

PARTS LIST

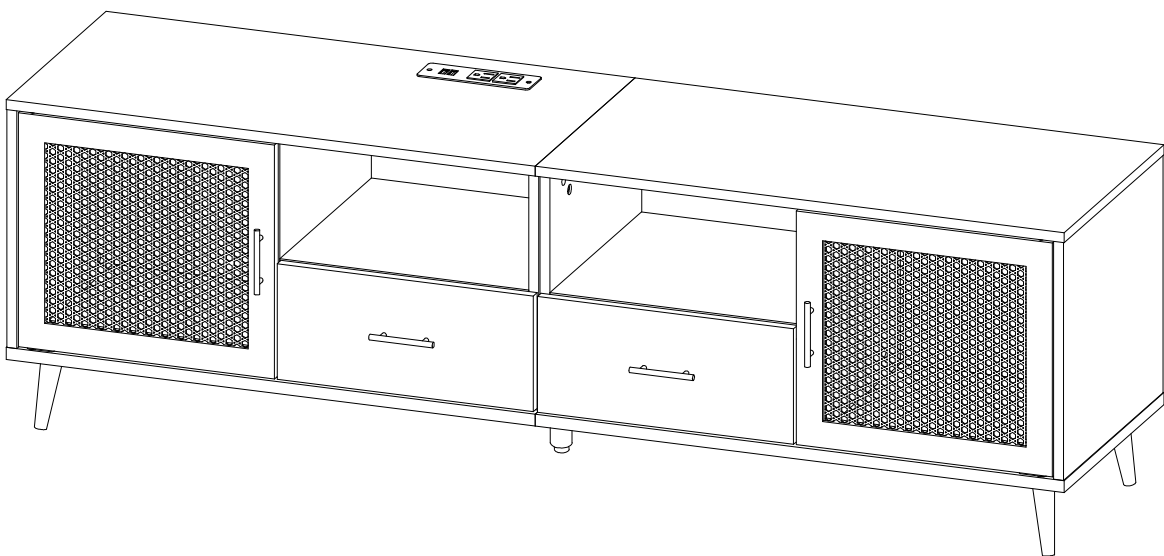
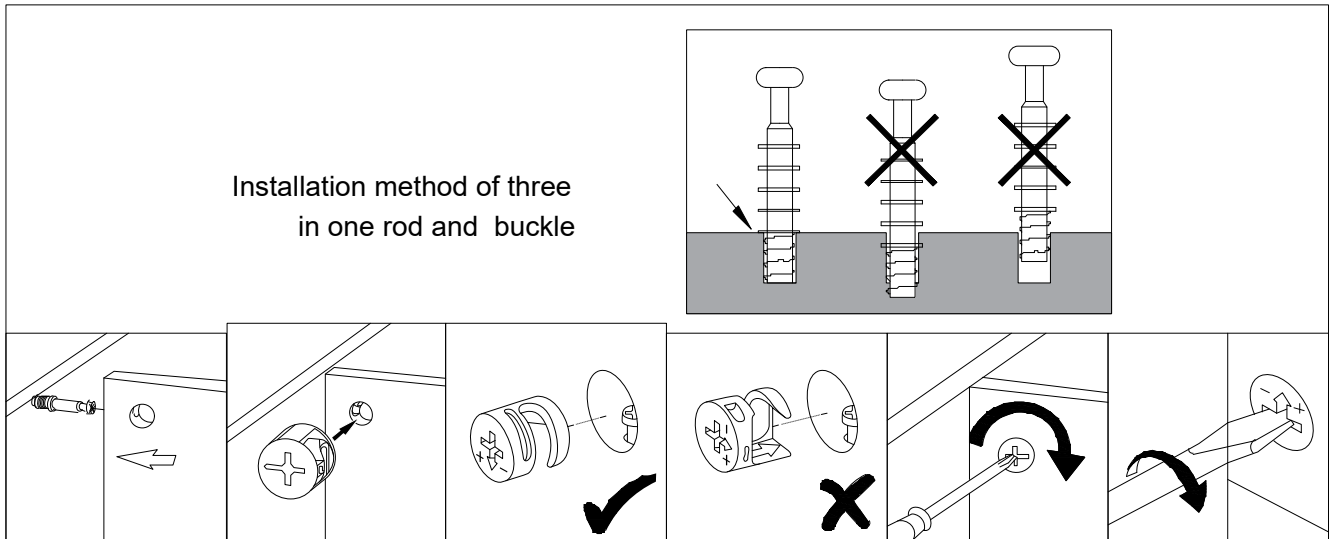
<p>①</p>  <p>1pcs</p>	<p>②</p>  <p>1pcs</p>	<p>③</p>  <p>4pcs</p>	
<p>④</p>  <p>1pcs</p>	<p>⑥</p>  <p>1pcs</p>	<p>⑧</p>  <p>1pcs</p>	
<p>⑤</p>  <p>1pcs</p>	<p>⑦</p>  <p>1pcs</p>	<p>⑨</p>  <p>1pcs</p>	
<p>⑩</p>  <p>2pcs</p>	<p>⑫</p>  <p>2pcs</p>	<p>⑭</p>  <p>1pcs</p>	
<p>⑪</p>  <p>2pcs</p>	<p>⑬</p>  <p>1pcs</p>	<p>⑮</p>  <p>1pcs</p>	
<p>⑯</p>  <p>1pcs</p>	<p>⑱</p>  <p>2pcs</p>	<p>⑲</p>  <p>2pcs</p>	<p>⑳</p>  <p>1pcs</p>
<p>⑳</p>  <p>2pcs</p>	<p>㉑</p>  <p>2pcs</p>	<p>㉒</p>  <p>1pcs</p>	<p>㉓</p>  <p>1pcs</p>

HARDWARE LIST

<p>A = A = A1 + A2</p> <p>x4 x4 x4 x4</p>				
<p>B</p> <p>1pcs</p>		<p>C</p> <p>4pcs</p>		<p>D</p> <p>1pcs</p>
<p>J</p> <p>2pcs</p>	<p>M</p> <p>50pcs</p>	<p>Y</p> <p>6pcs</p>	<p>E</p> <p>1pcs</p>	<p>F</p> <p>4pcs</p>
<p>H</p> <p>4pcs</p>	<p>K</p> <p>4pcs</p>	<p>L</p> <p>12MM</p> <p>50pcs</p>	<p>N</p> <p>32pcs</p>	<p>O</p> <p>50pcs</p>
<p>P</p> <p>8pcs</p>	<p>Q</p> <p>4pcs</p>	<p>R</p> <p>4pcs</p>	<p>T</p> <p>48pcs</p>	
<p>U = V</p> <p>2pcs 1pcs</p>				
<p>W</p> <p>8pcs</p>	<p>X</p> <p>15MM</p> <p>15pcs</p>			

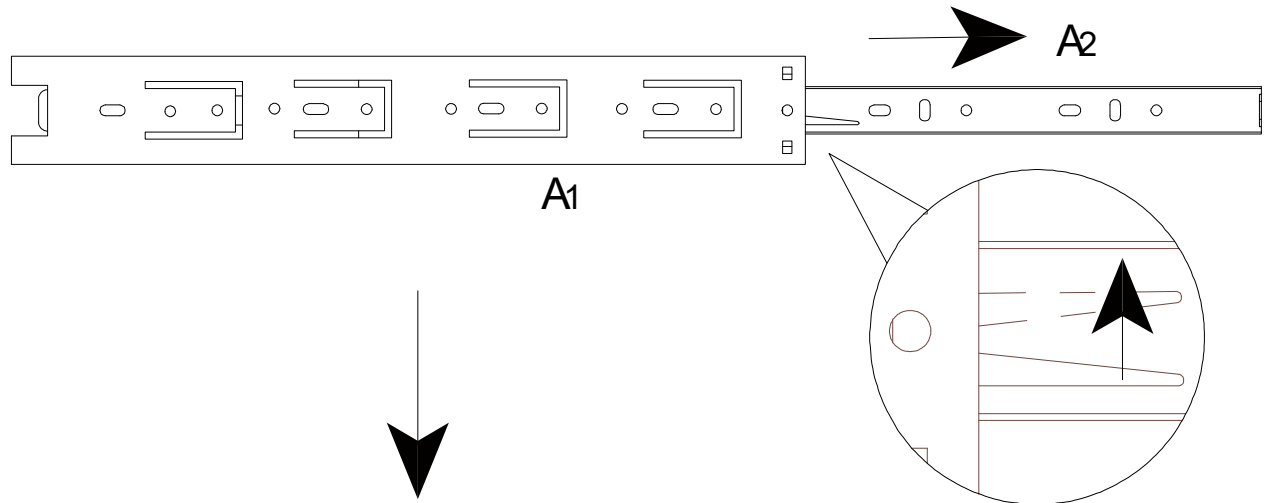
TIPS

1. When installing the product, use a soft surface (such as carpet or cardboard) to avoid scratching or damaging the surface of the product.
2. Please try to use a manual screwdriver instead of electric screw driver. A manual screwdriver can be used to better control the tightness of the screws.
3. Do not use any glue.
4. The product is unstable before it is assembled. Please pay attention to the product installation sequence, and align all screws and screw holes before tightening.
5. The structure of this product can not meet the requirements of children climbing.



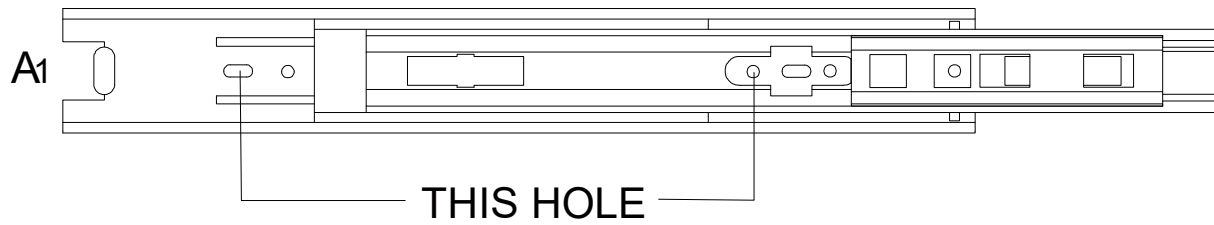
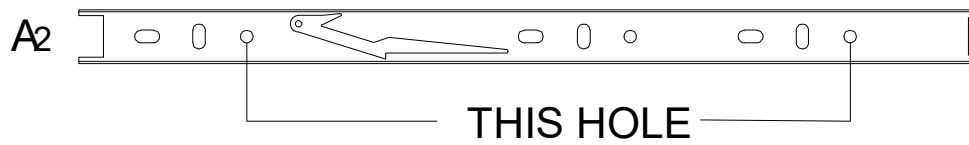
1

HOW TO SPLIT THE SLIDE RAIL



BACK

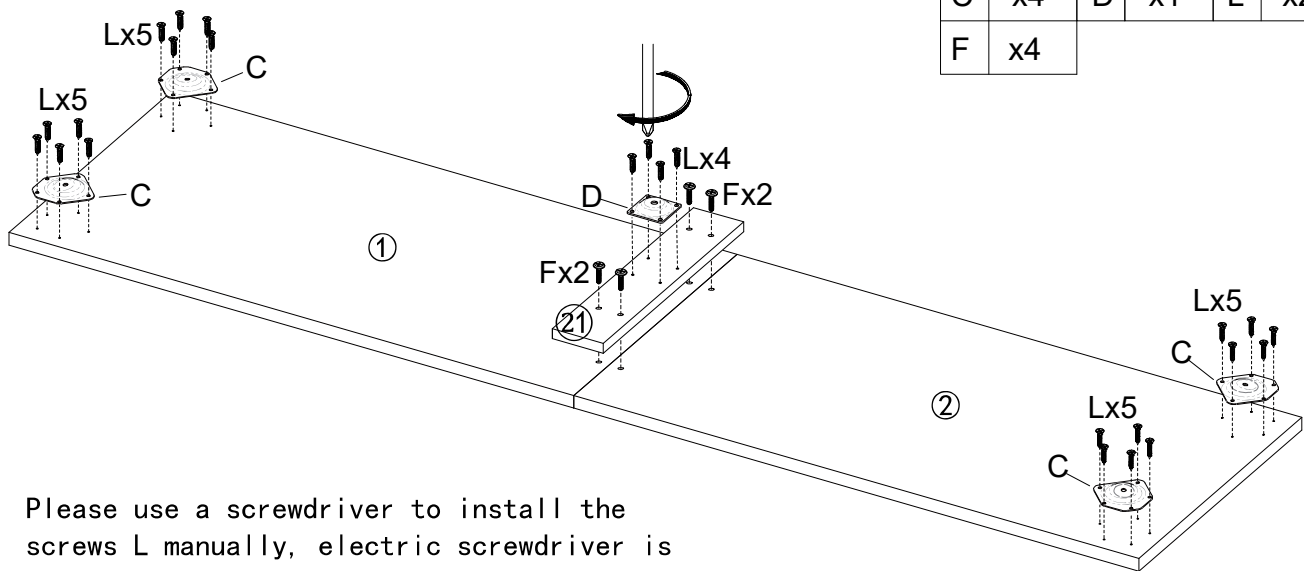
FRONT



2

You will need

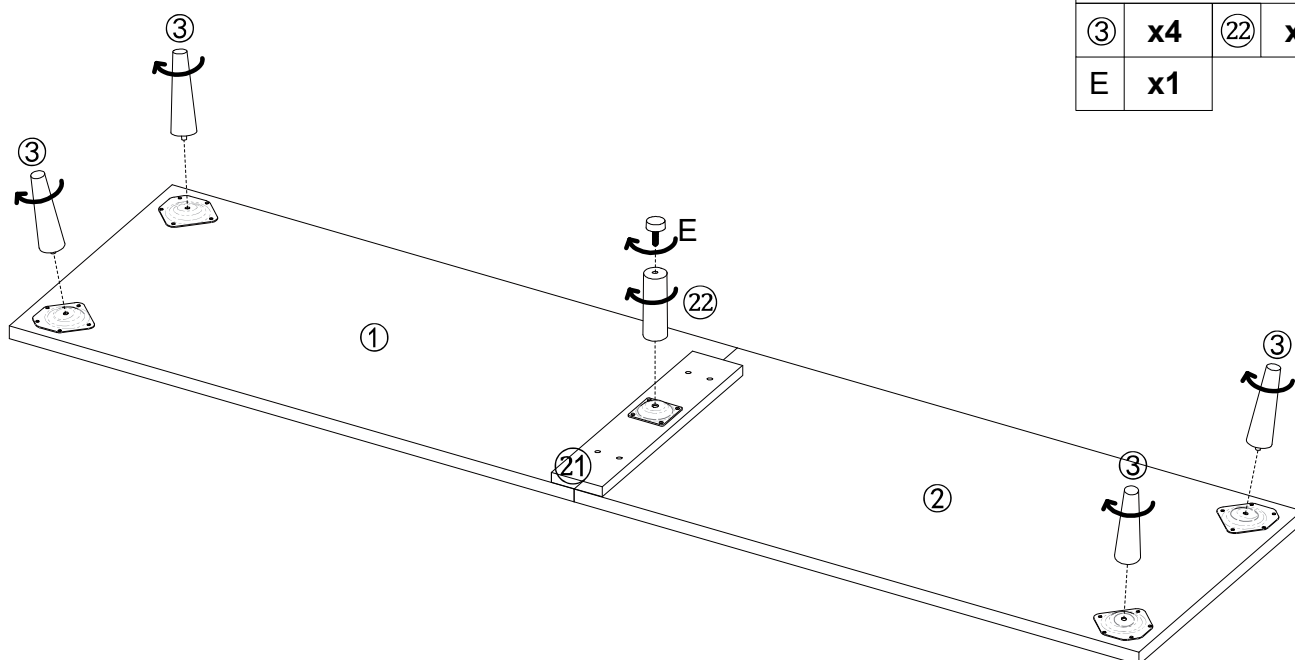
C	x4	D	x1	L	x24
F	x4				



Please use a screwdriver to install the screws L manually, electric screwdriver is prohibited, because it will be easy to make the part 1&2 broken.

3**You will need**

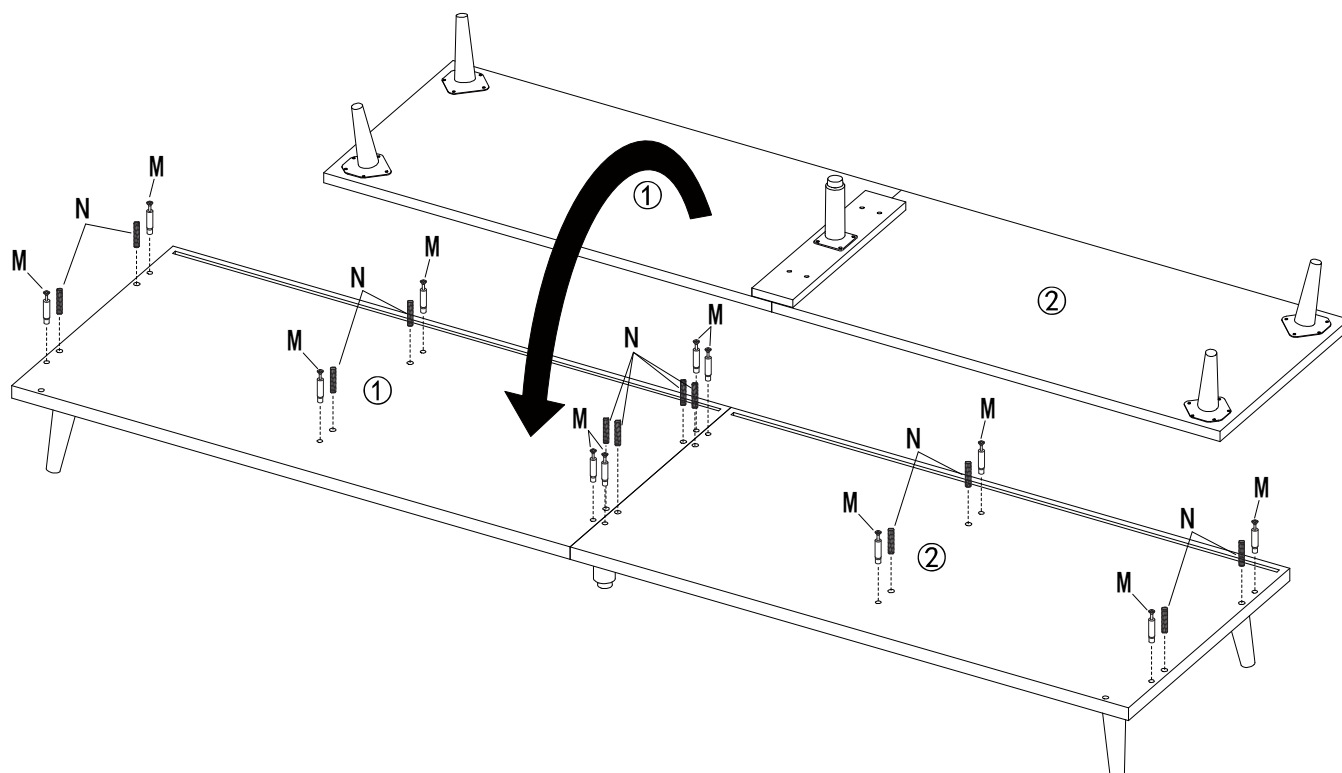
③	x4	②②	x1
E	x1		



If doors or drawers fail to close properly, become misaligned, or appear crooked, this may be caused by uneven flooring or legs sinking into carpeting. Adjust the E-parts (adjustable glides) at the base of the center legs to restore the product to normal operation.

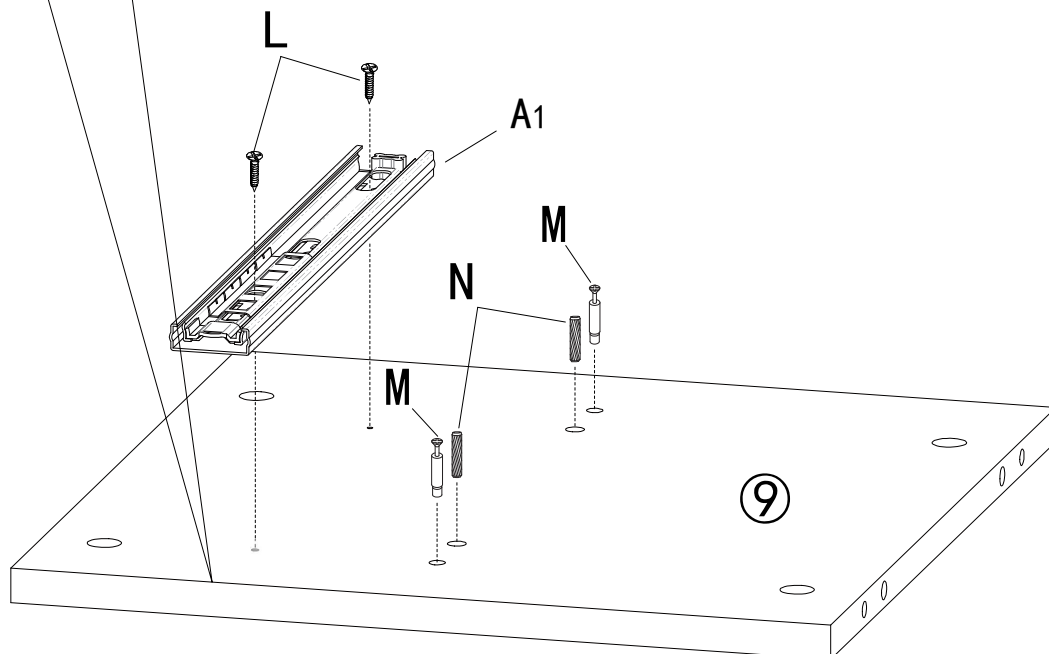
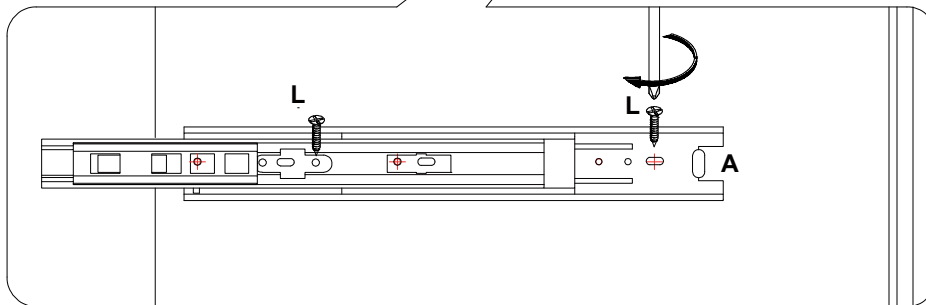
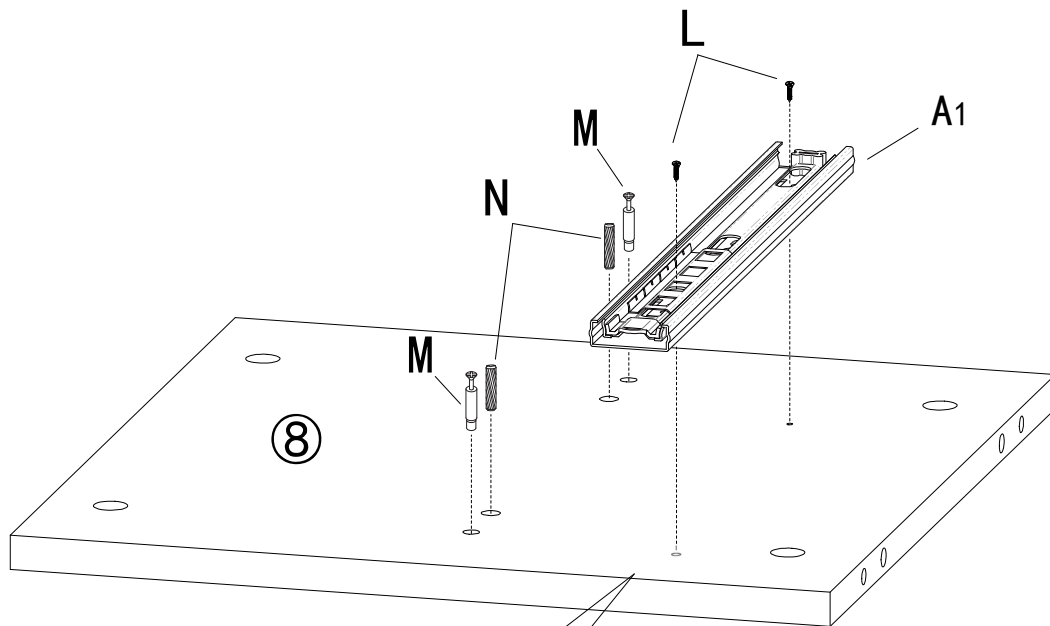
4**You will need**

M	x12	N	x12
---	-----	---	-----



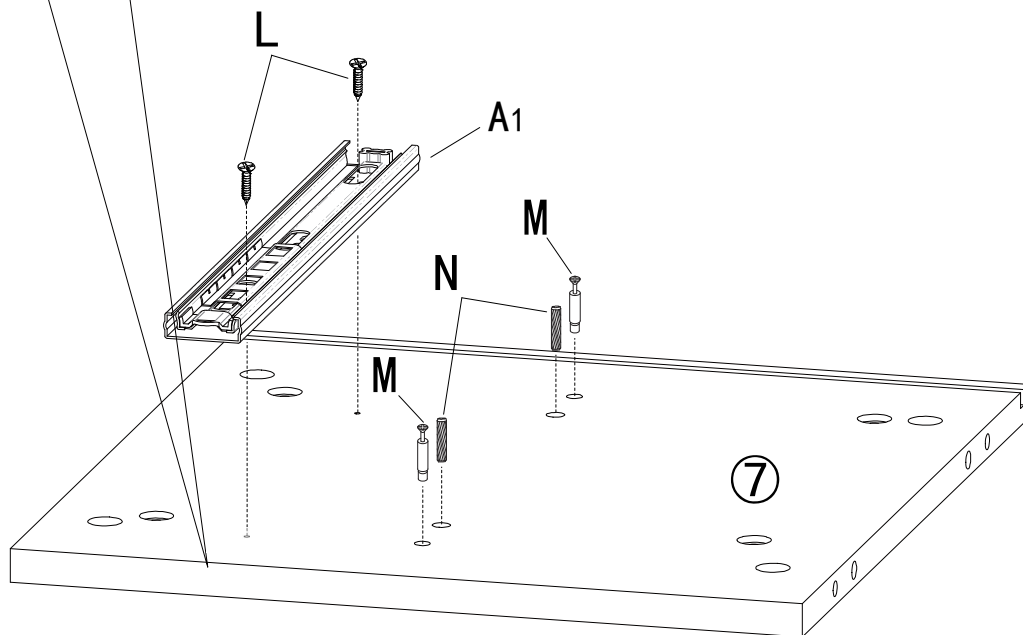
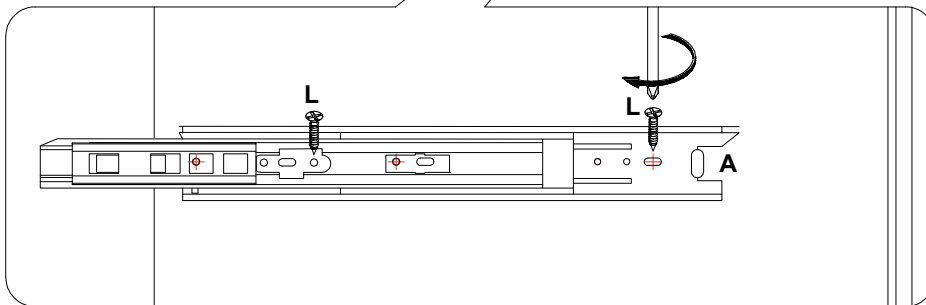
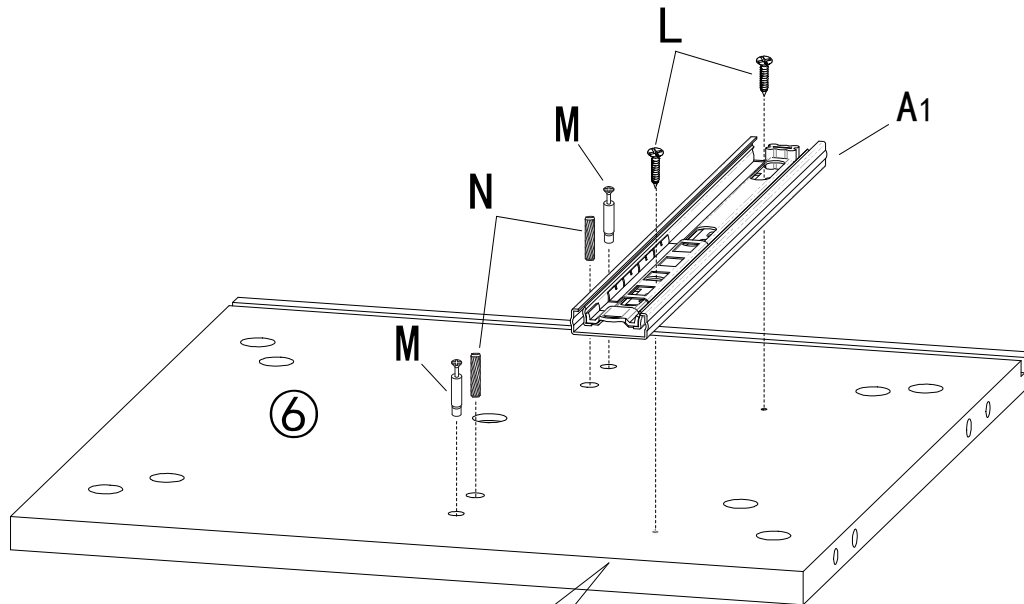
You will need

A1	x2	L	x4	M	x4	N	x4
----	----	---	----	---	----	---	----



You will need

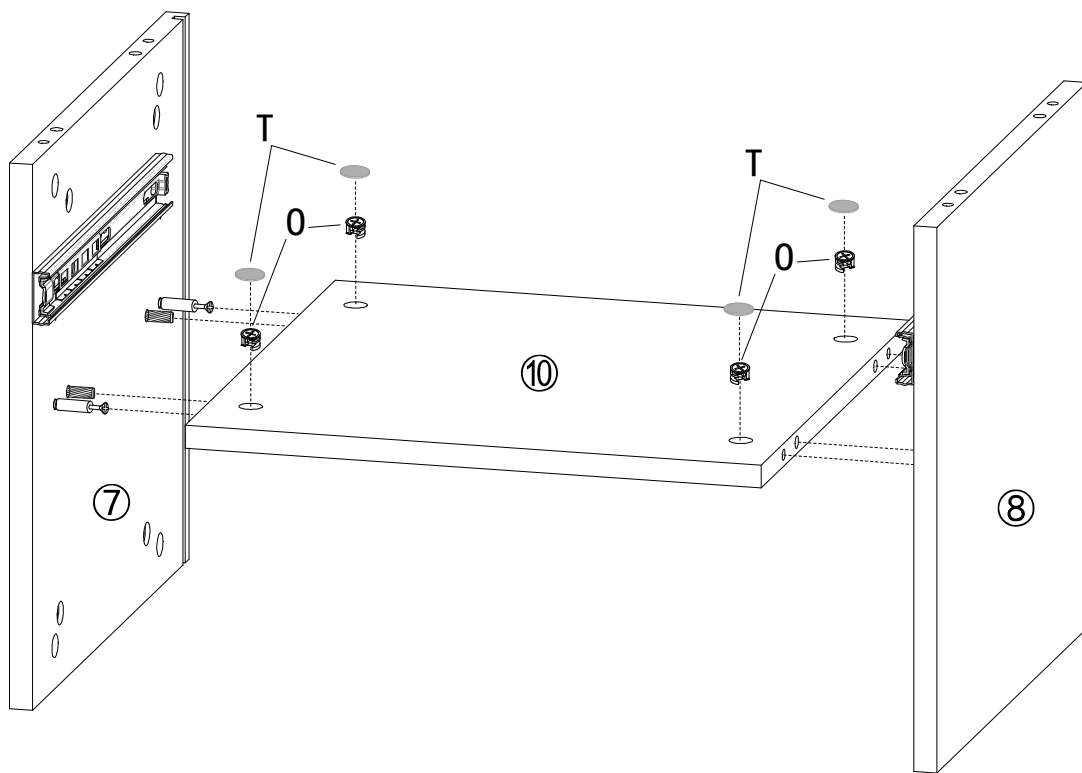
A1	x2	L	x4	M	x4	N	x4
----	----	---	----	---	----	---	----



7

You will need

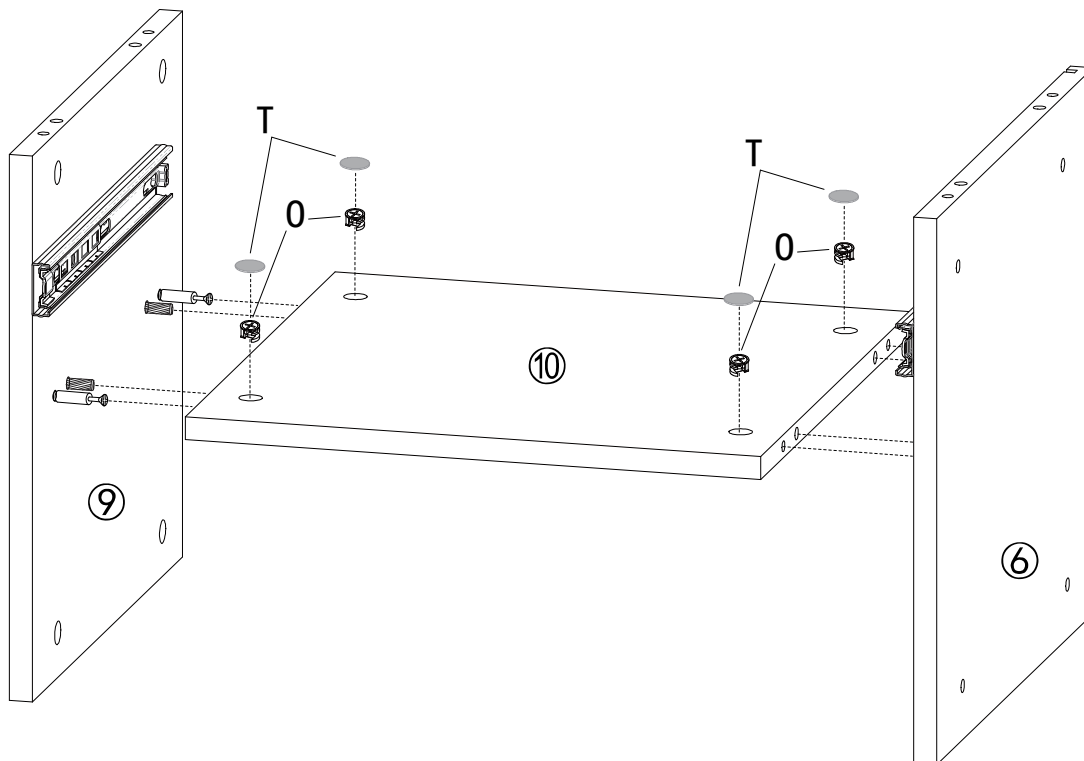
O	x4	T	x4
---	----	---	----



8

You will need

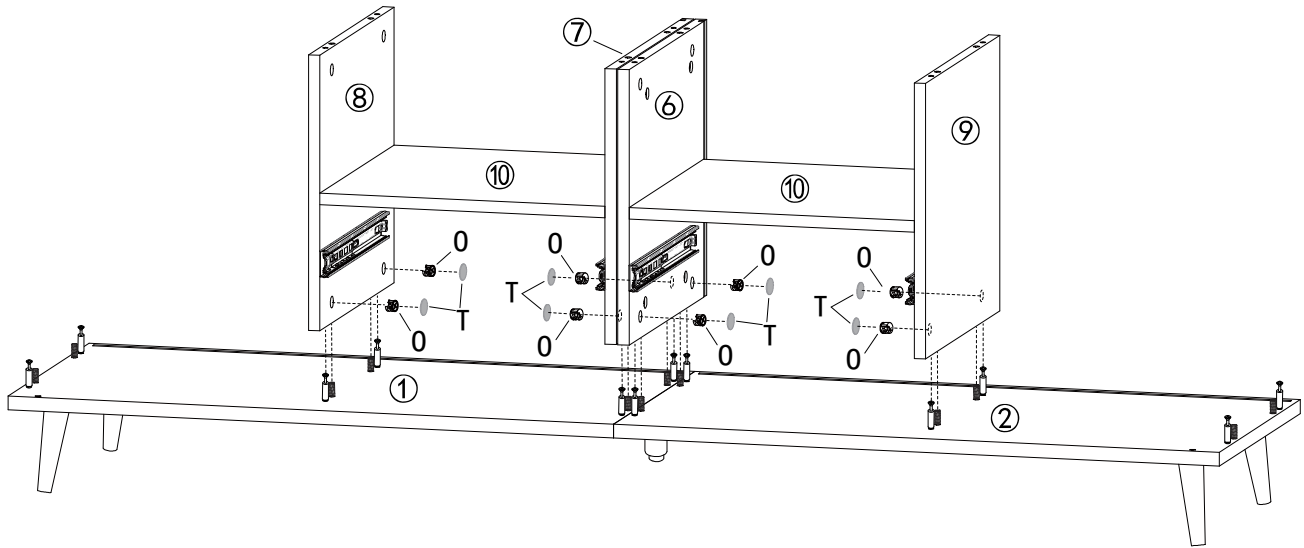
O	x4	T	x4
---	----	---	----



9

You will need

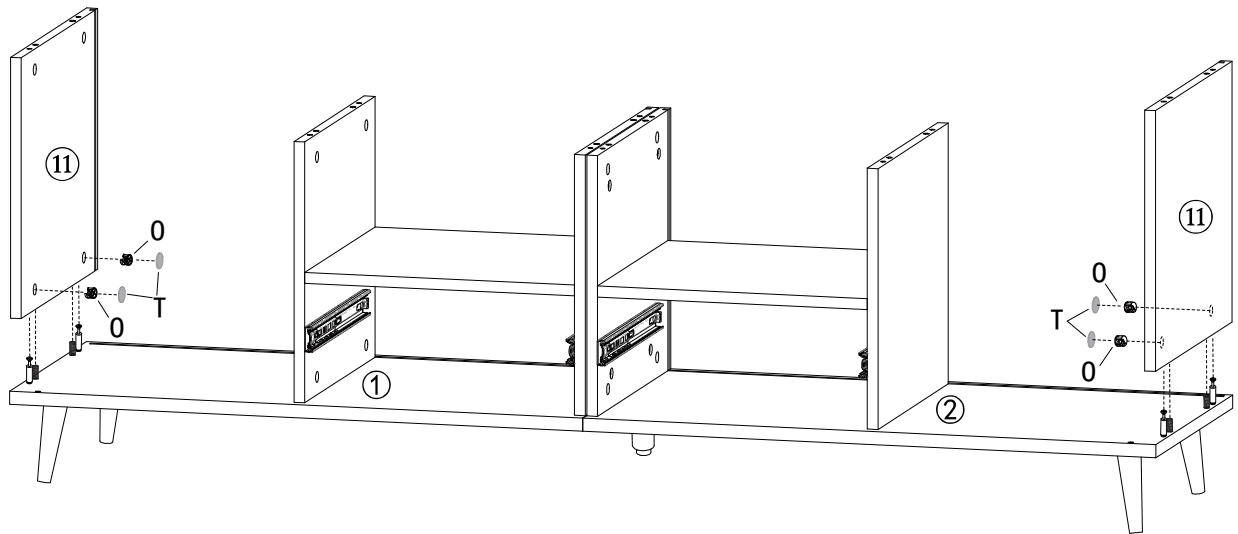
O	x8	T	x8
---	----	---	----



10

You will need

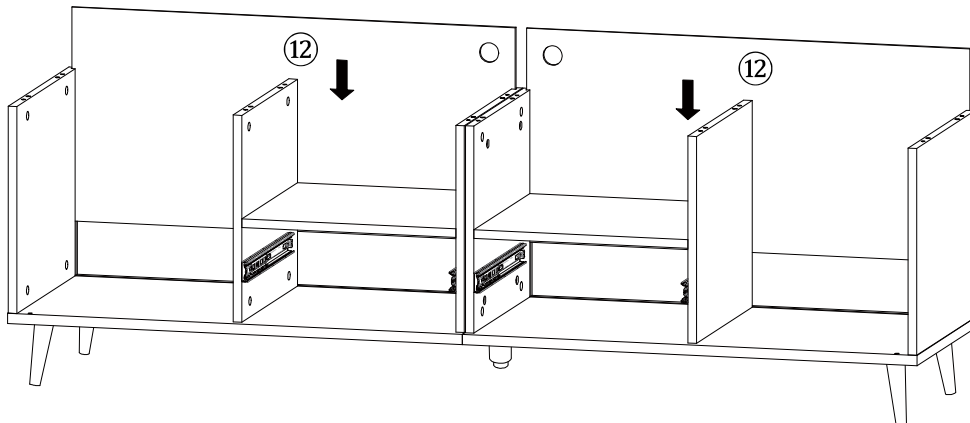
O	x4	T	x4
---	----	---	----



11

You will need

12	x2		
----	----	--	--



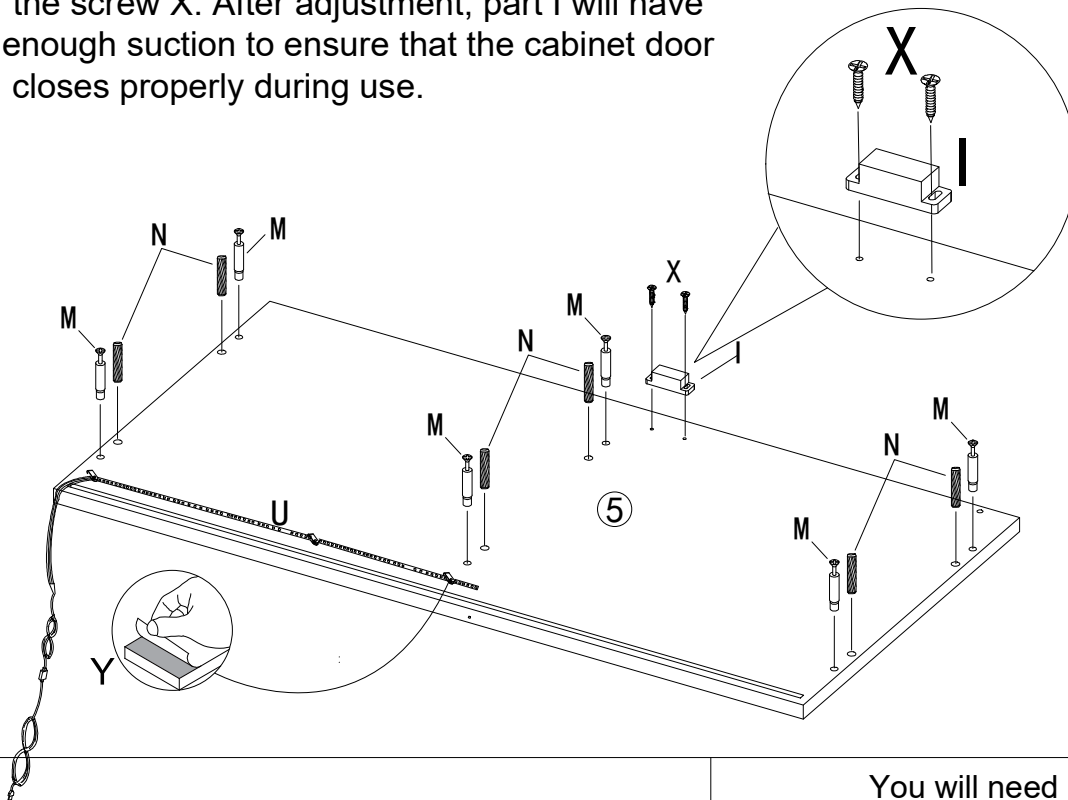
12

You will need

I	x1	X	x2	M	x6	N	x6
U	x1	Y	x3				



As part I has an adjustable elliptical hole, you need to adjust the position of I before installing the screw X. After adjustment, part I will have enough suction to ensure that the cabinet door closes properly during use.



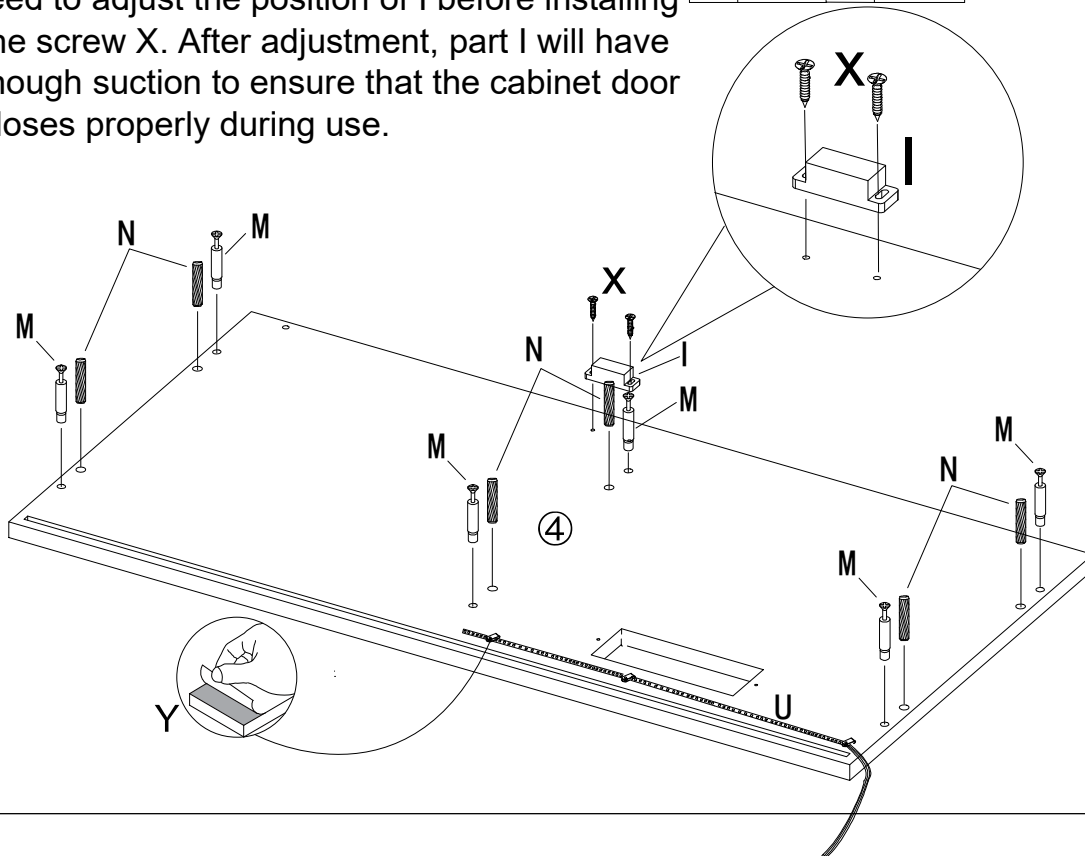
13

You will need

I	x1	X	x2	Mx6	N	x6
U	x1	Y	x3			



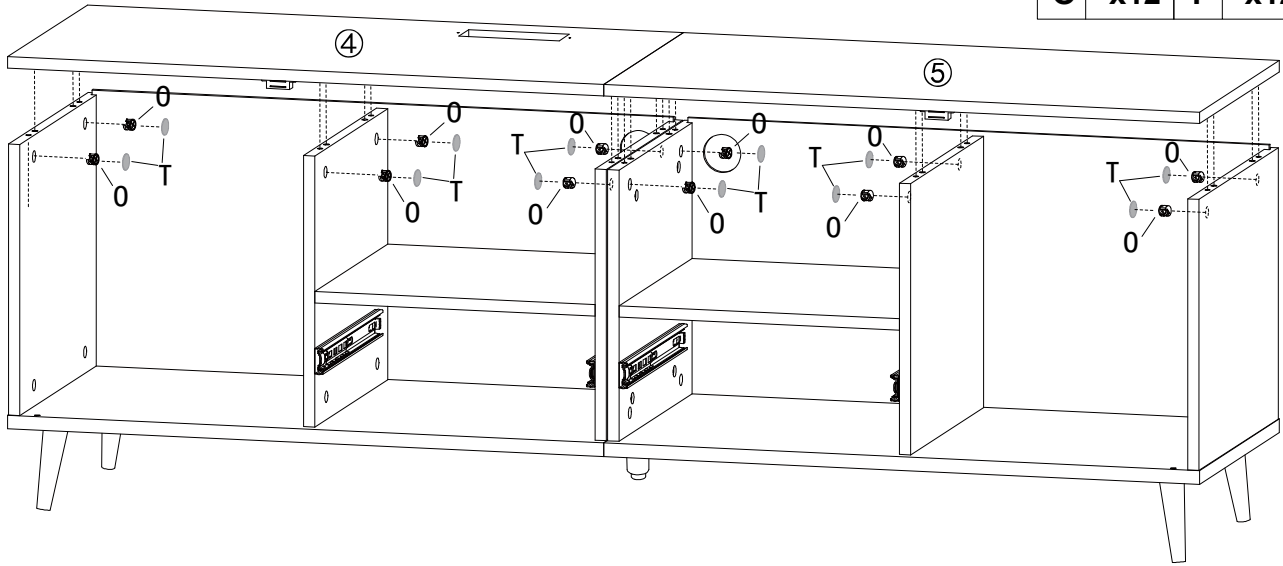
As part I has an adjustable elliptical hole, you need to adjust the position of I before installing the screw X. After adjustment, part I will have enough suction to ensure that the cabinet door closes properly during use.



14

You will need

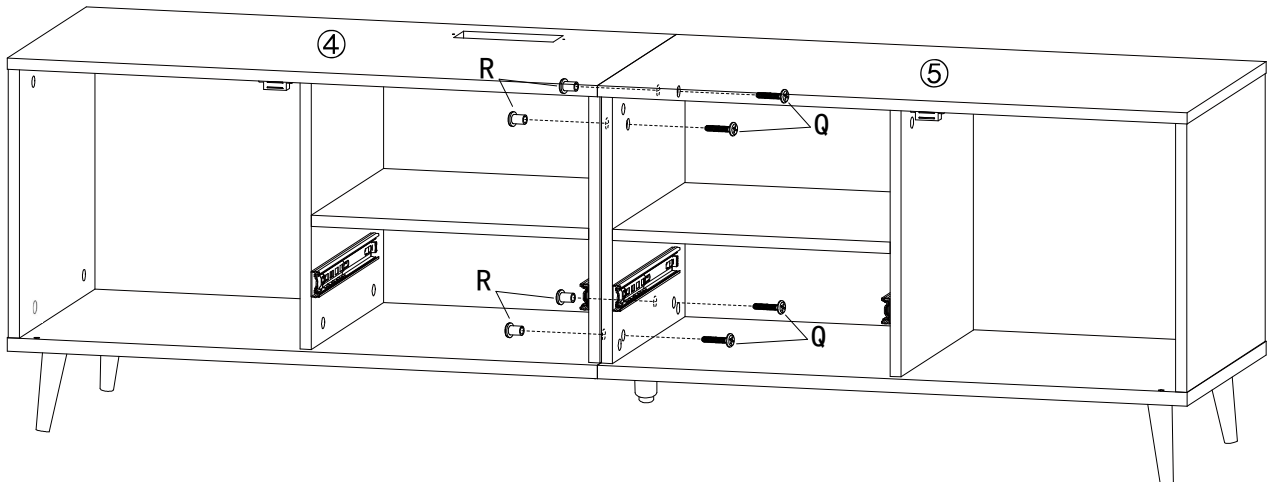
O	x12	T	x12
---	-----	---	-----



15

You will need

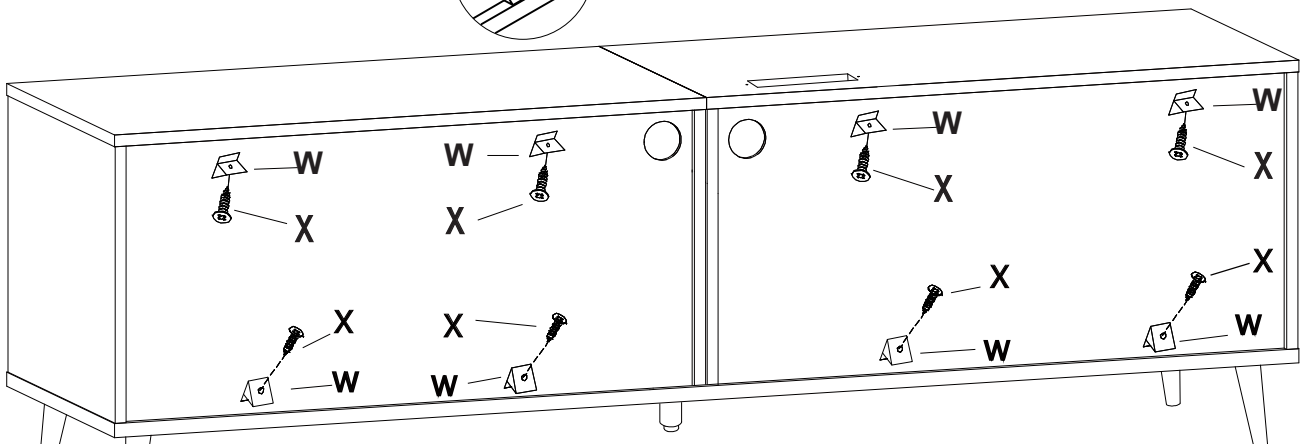
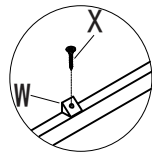
Q	x4	R	x4
---	----	---	----



16

You will need

W	x8	X	x8
---	----	---	----

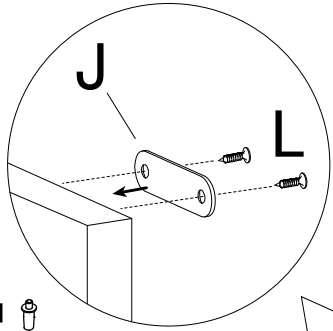


Install backboard nails can effectively enhance the stability of the product and extend the life span of the product.

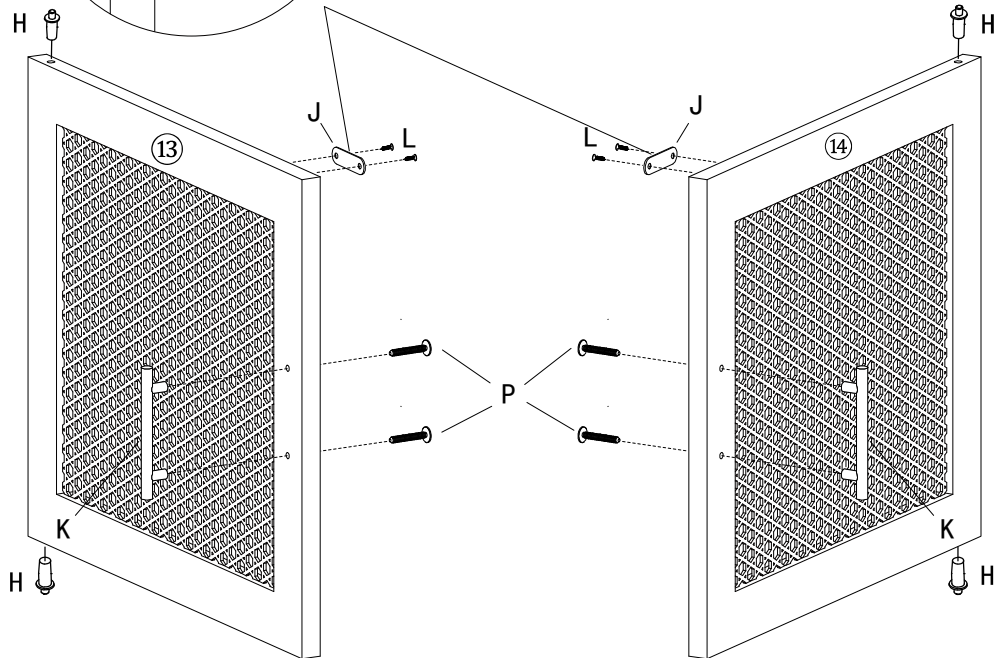
17

You will need

J	x2	K	x2	L	x4	P	x4	H	x4
---	----	---	----	---	----	---	----	---	----

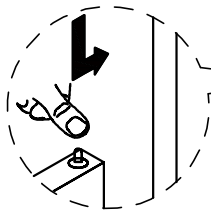


As part J has an adjustable elliptical hole, you need to adjust the position of J before installing the screw L. After adjustment, part J will have enough suction with magnetic part I, ensuring that the cabinet door closes properly during use.

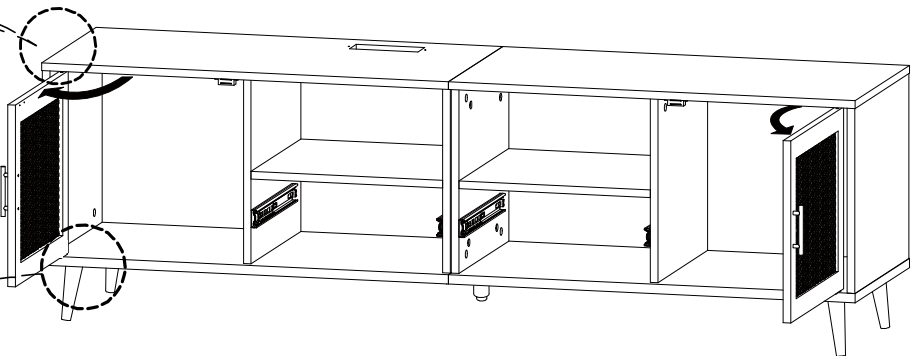
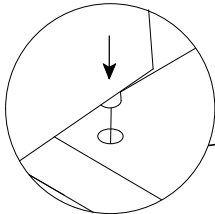


18

STEP 2



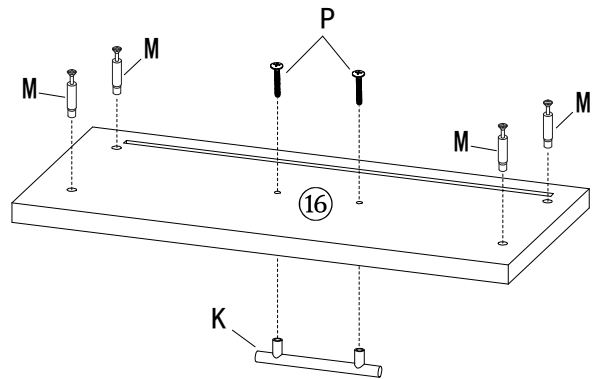
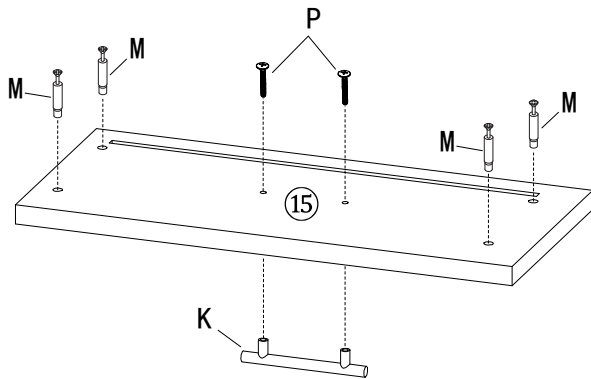
STEP 1



19

You will need

K	x2	M	x8	P	x4		
---	----	---	----	---	----	--	--

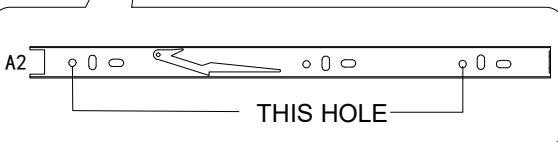
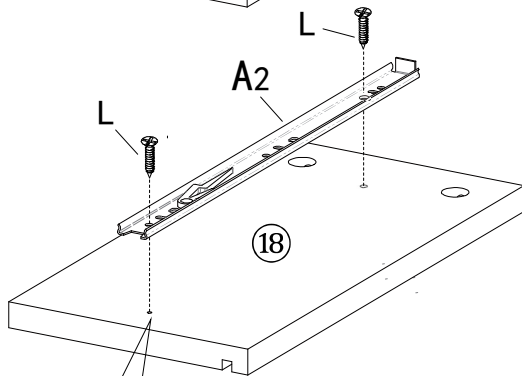
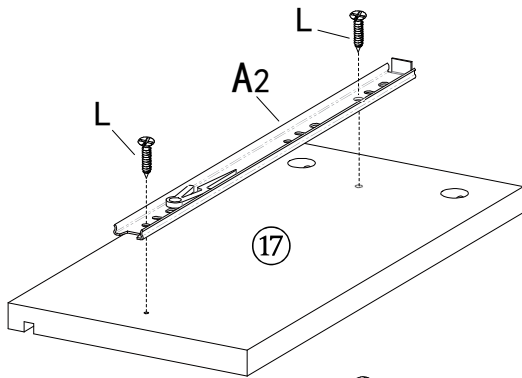


20

X2

You will need

A2	x4	L	x8
----	----	---	----

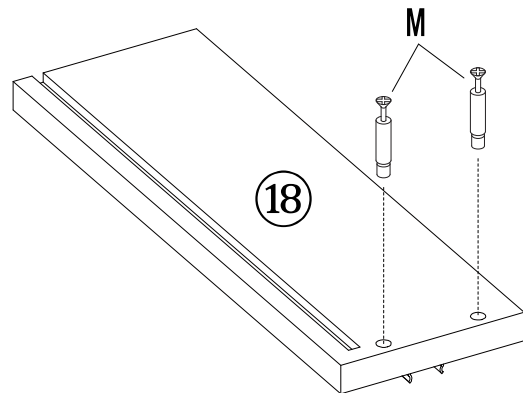
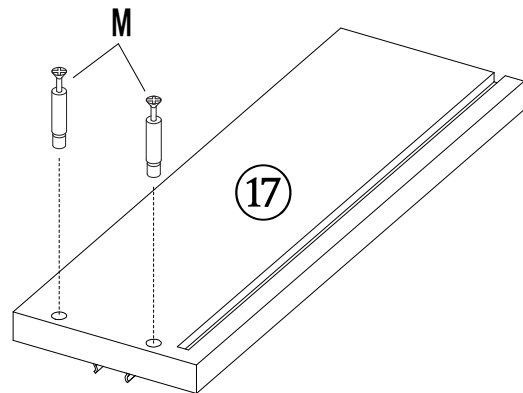


21

X2

You will need

M	x8		
---	----	--	--

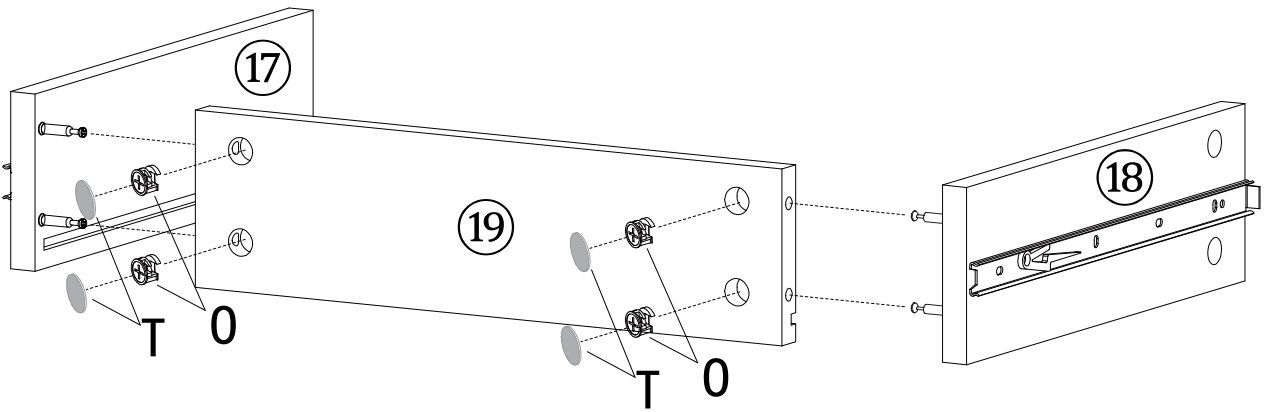


22

X2

You will need

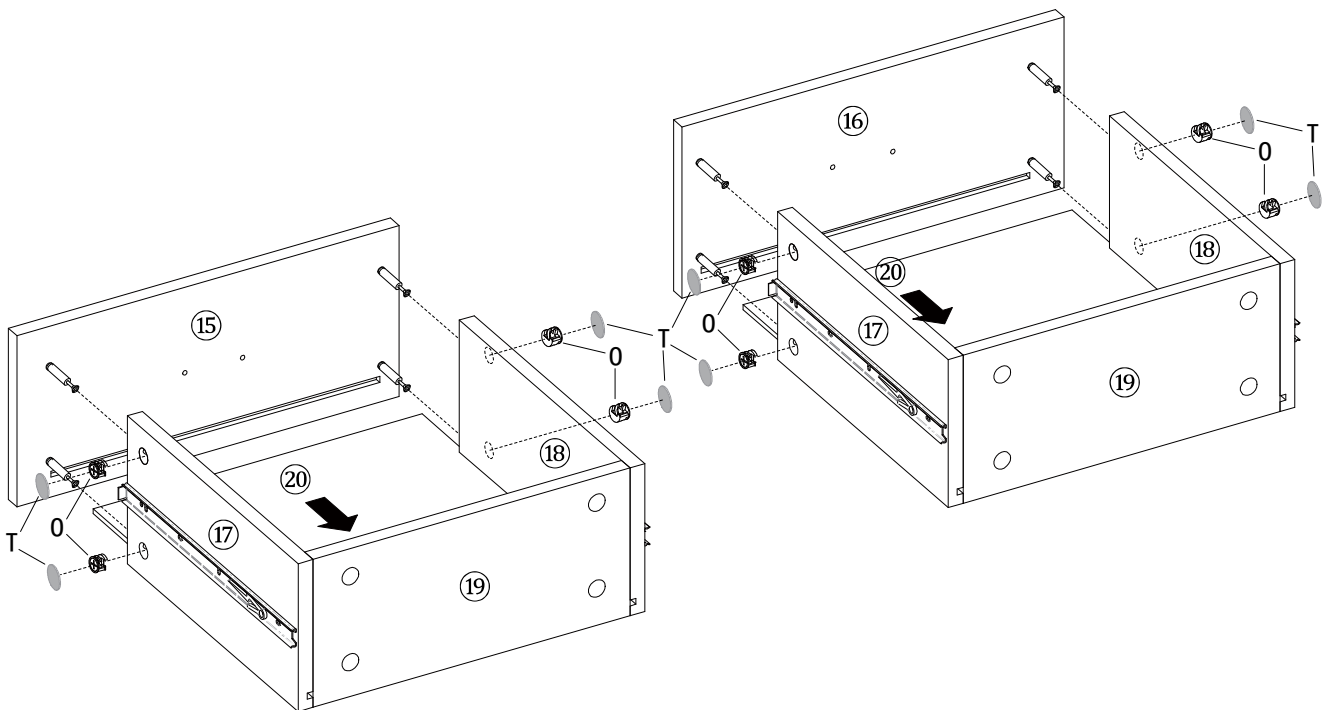
O	x8	T	x8
---	----	---	----



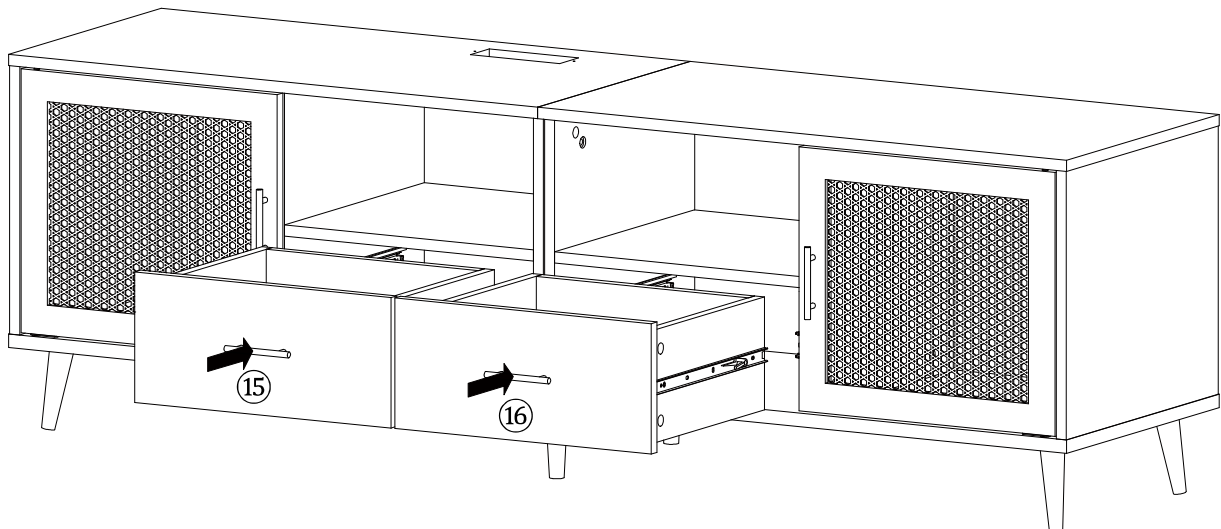
23

You will need

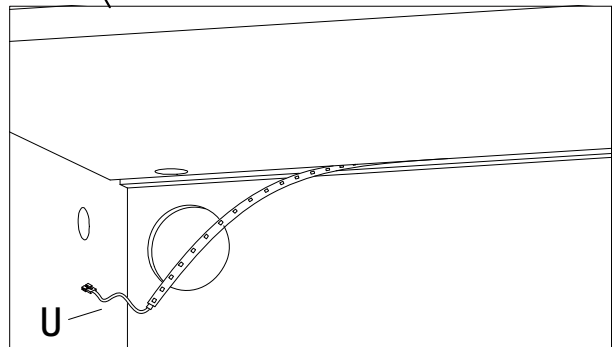
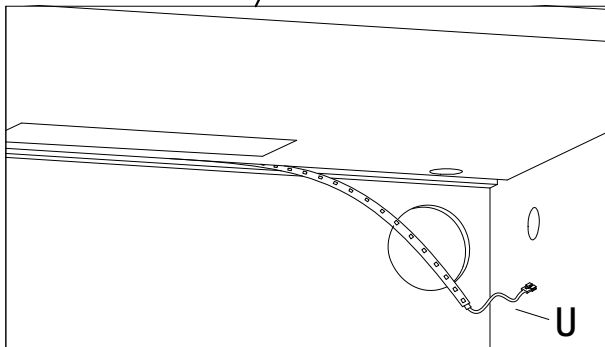
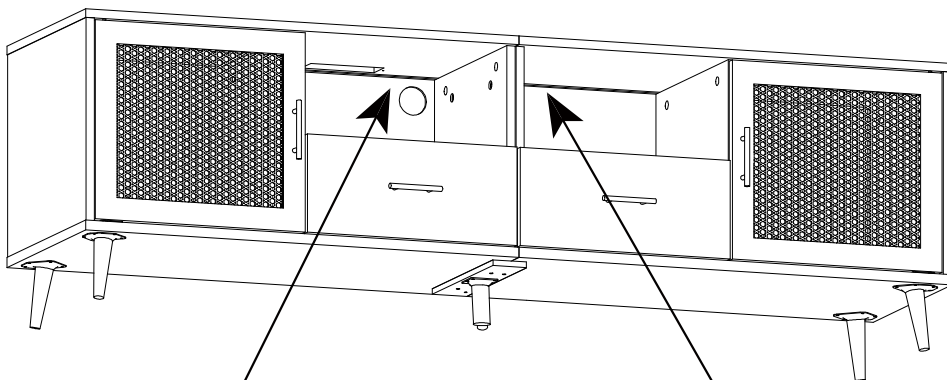
O	x8	T	x8
---	----	---	----



24



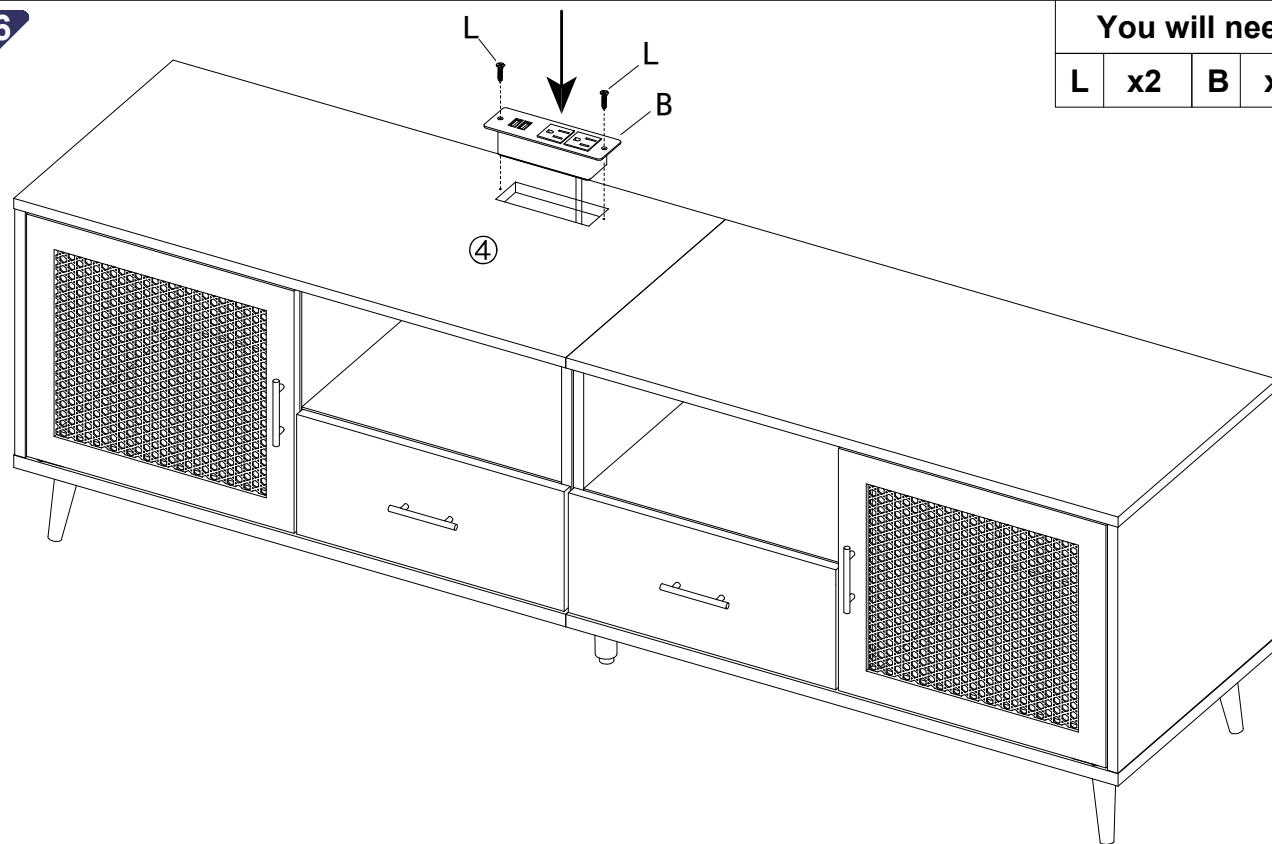
25



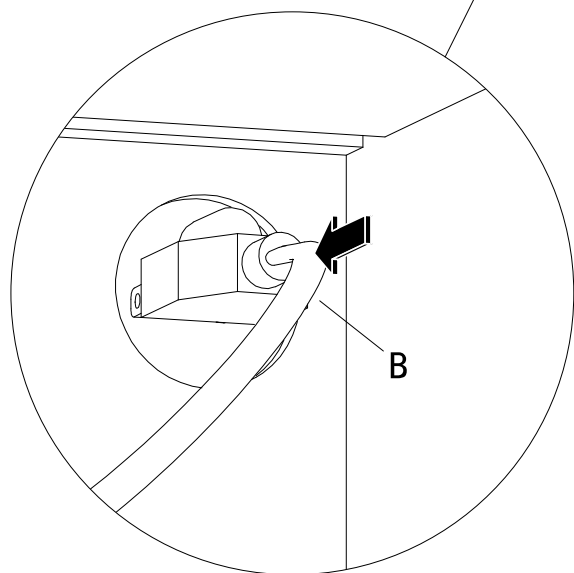
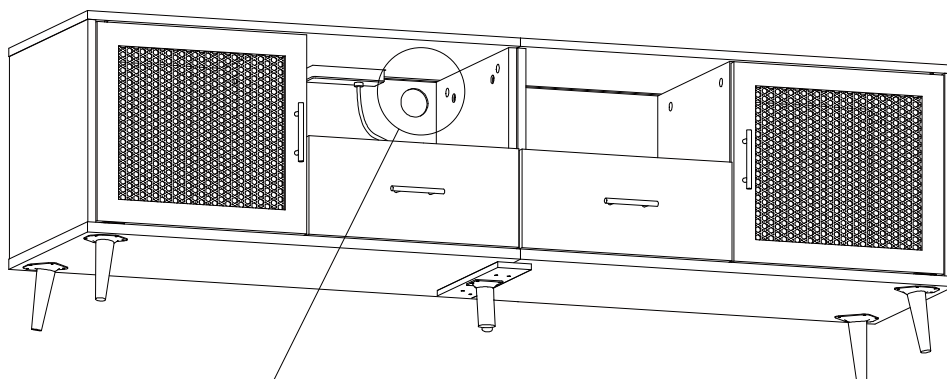
26

You will need

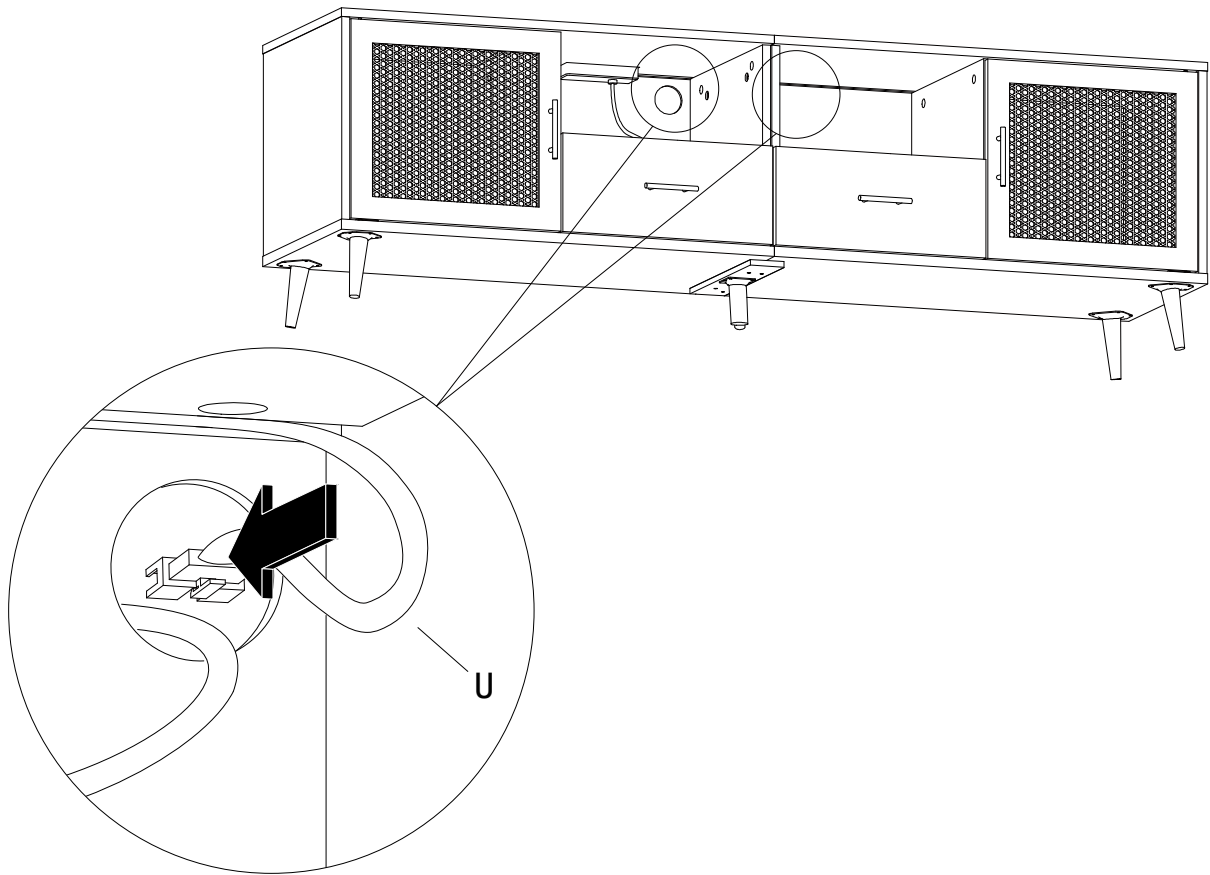
L	x2	B	x1
---	----	---	----



27



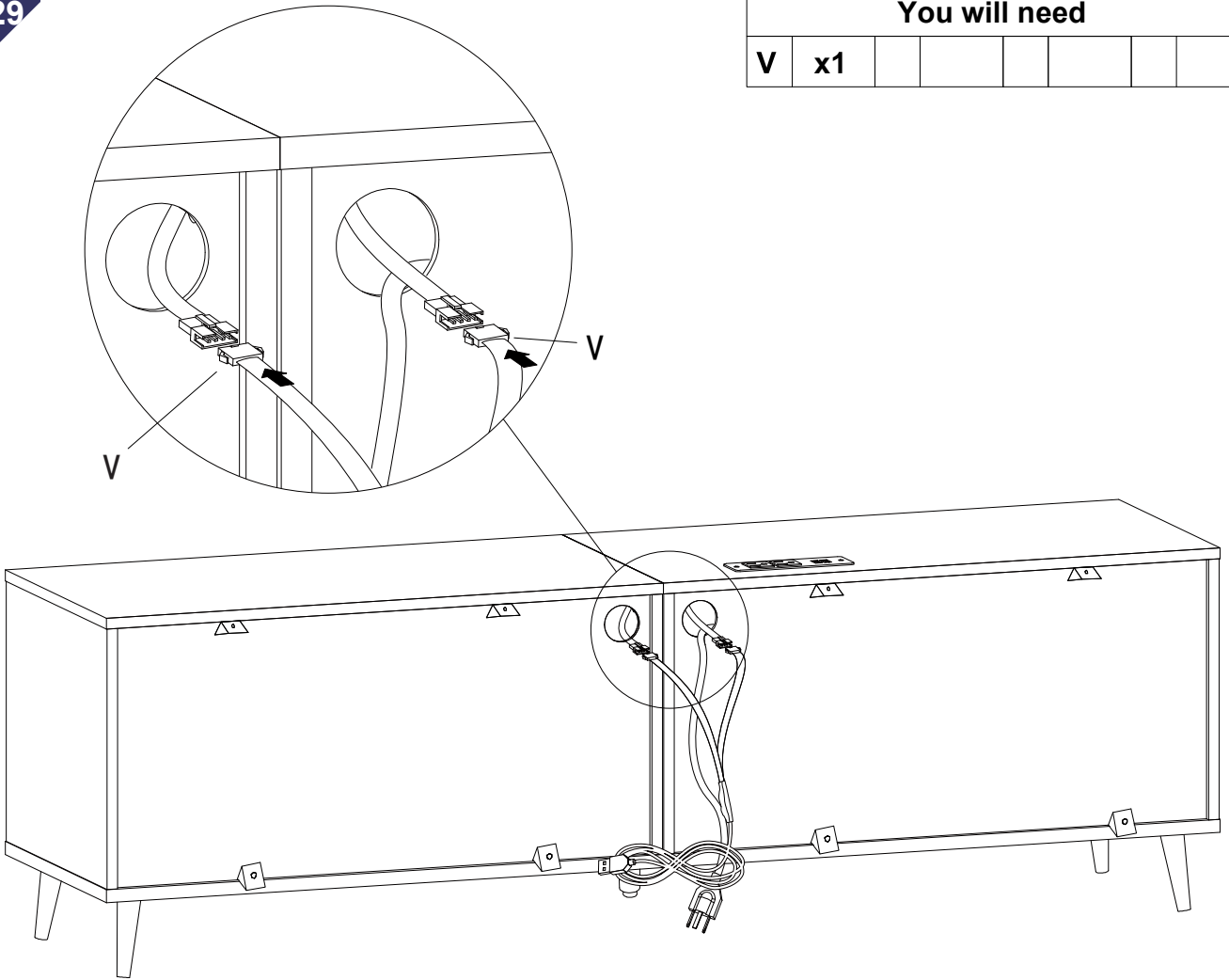
28



29

You will need

V	x1								
---	----	--	--	--	--	--	--	--	--





Made in China