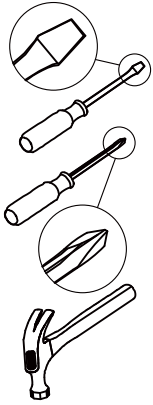


ASSEMBLY INSTRUCTION



Before You Start



- ✓ Read through each step carefully and follow the proper order
- ✓ Separate and count all your parts and hardware, If Parts are missing defective or having wrong parts in package, or Board Surface is broken, scratched or lack of some screw holes. You can contact us and we will get back to you within 24 hours. Or, you can reach us via after-sales email.
- ✓ Give yourself enough room for the assembly process
- ✓ Caution: If using a power drill or power screwdriver for screwing, please pay attention to slow down and stop when screw is tight. Failure to do so may result in stripping the screw. (Assembly speed can be increased by using electric screwdriver)

Helpful Hints

PEOPLE NEEDED FOR ASSEMBLY: 2

- Open your item in the area you plan to keep it to avoid excessive heavy lifting.
- Identify, sort and count the parts before attempting assembly.
- Do not make the screws too loose or too tight.
- The accessory bag contains some small accessories, which should be kept away from children.
- The remaining parts are spare parts.
- Do NOT use harsh chemicals or abrasive cleaners on this item. And Never push, pull, or drag your furniture.
- Young children can be seriously injured by tipping furniture. You must install the tipping restraint hardware with the unit (No. S) to prevent the unit from tipping, causing any accidents or damage. the tipping restraints are intended only as a deterrent, they are not a substitute for proper adult supervision.
- Note: Do not open more than 2 drawers at the same time without install the tipping restraint hardware, otherwise there is a risk of tipping.



Product Installation Video

Please scan this QR code with your cell phone YouTube to watch the installation video instantly.



Need Help With Your Furniture?

When missing parts? Or feeling stuck? you can contact us by scanning the QR code below or via after-sales email (VIPService68@outlook.com), we will reply you in time.

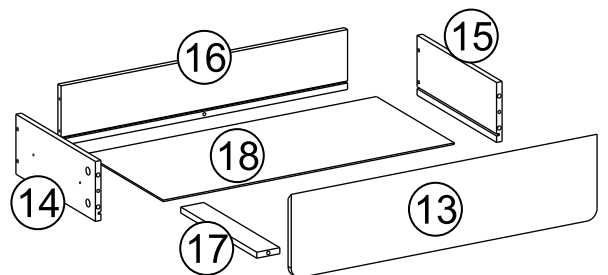
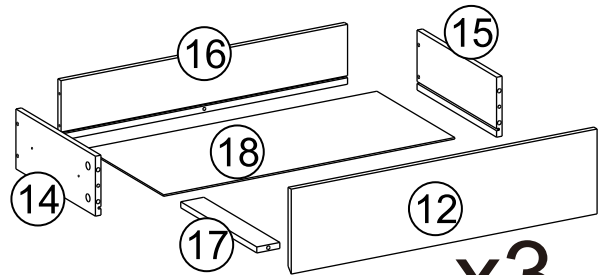
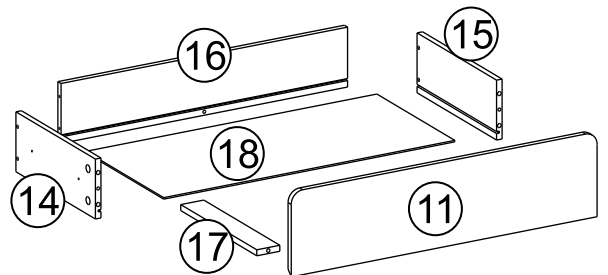
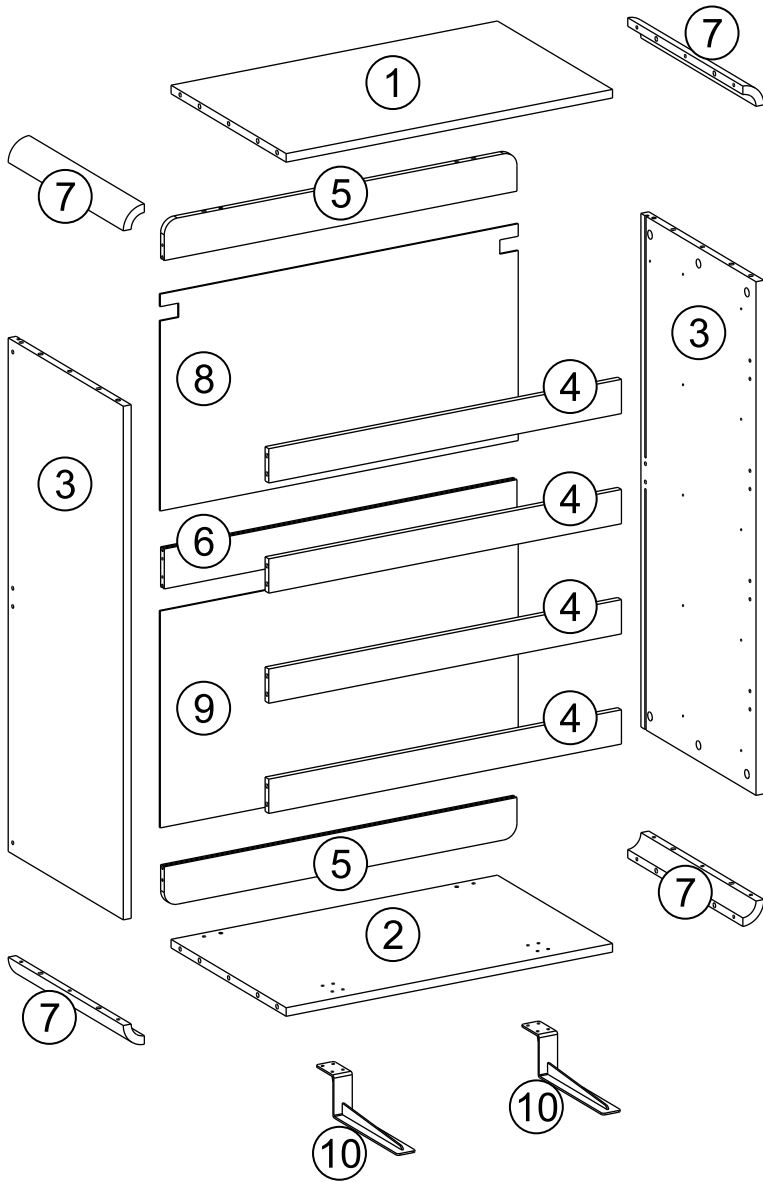
**FREE REPLACEMENT
PARTS AVAILABLE!**



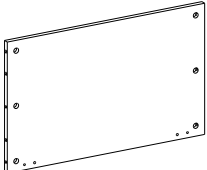
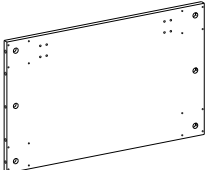
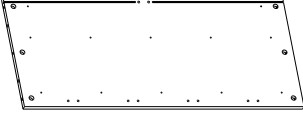



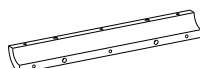
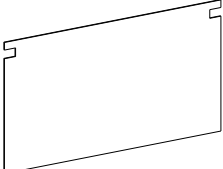
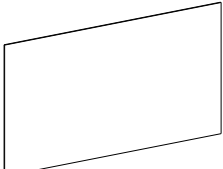
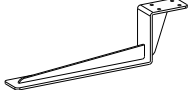
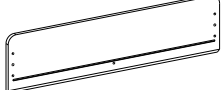
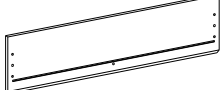
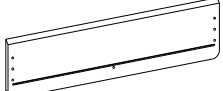
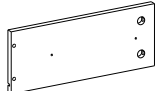
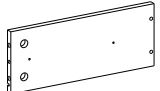
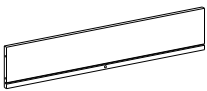


This Is A Challenge For You !

Putting furniture together can feel tricky at first,
but why not give it a shot?






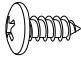
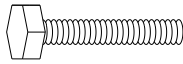


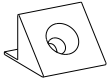
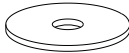
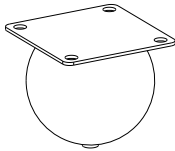
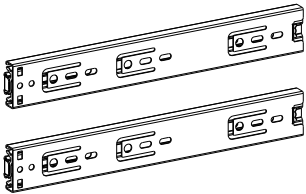


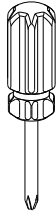
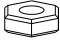
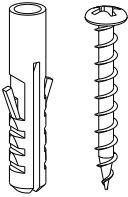
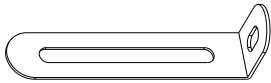
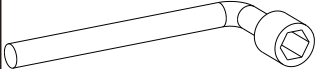
Once you' re done, you' ll see it' s not as hard as it looks
—and your family or friends might even be impressed!



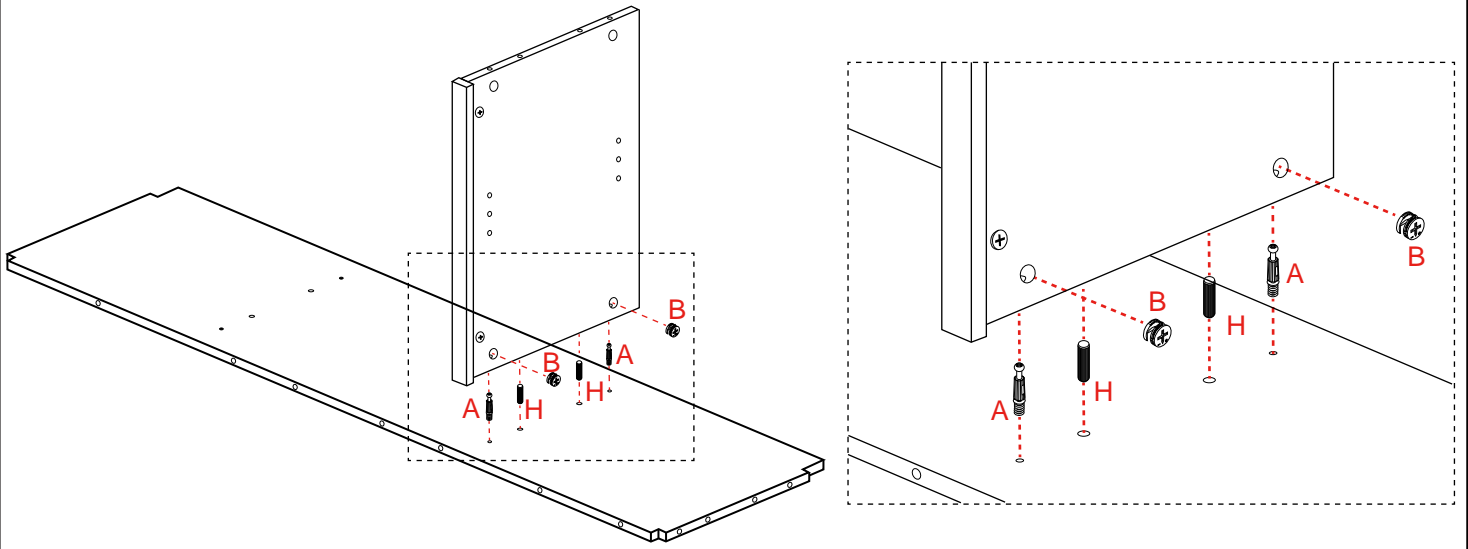
Parts List/Telle Liste

			
① x1	② x1	③ x2	④ x4
			
⑤ x2	⑥ x1	⑦ x4	⑧ x1
			
⑨ x1	⑩ x2	⑪ x1	⑫ x3
			
⑬ x1	⑭ x5	⑮ x5	⑯ x5
			
⑰ x5	⑱ x5		

Parts List/Telle Liste

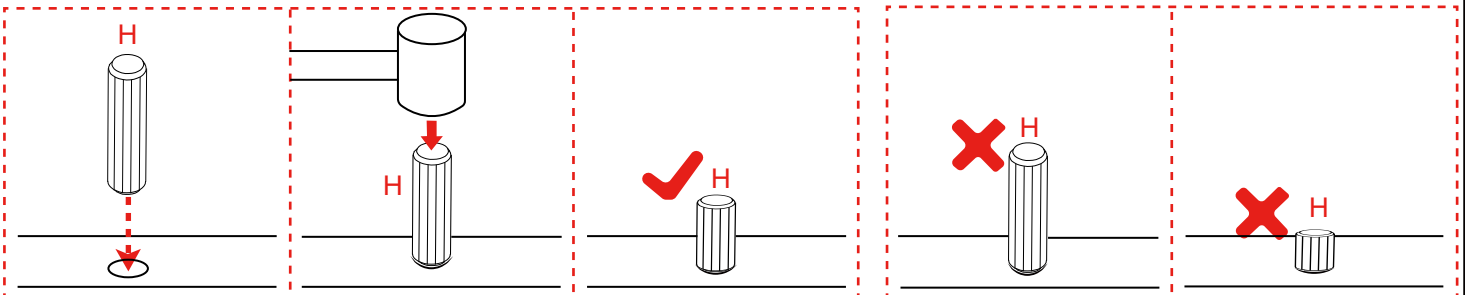
 Ø6×35mm (A) x69	 Ø15×9mm (B) x69	 Ø5×48mm (C) x33	 Ø3.5×15mm (D) x8
 Ø4×12mm (E) x40	 Ø4×12mm (F) x18	 M4×25mm (G) x10	 Ø8×30mm (H) x16
 Ø6×30mm (I) x14	 12.5×15×9mm (J) x8	 M4×20×1mm (K) x10	 (L) x4
 (M) x5	 Hole sticker-Ø15mm (N) x15	 M3 (O) x1	 (P) x1
 (Q) x10	 (R) x2	 (S) x2	 (T) x2

How the knock down assembly system works

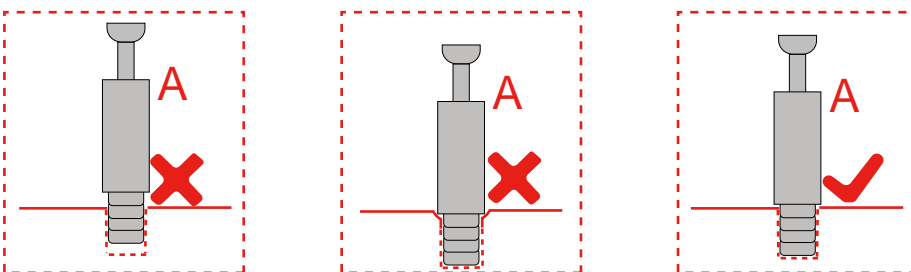


How to Install Wood Dowel

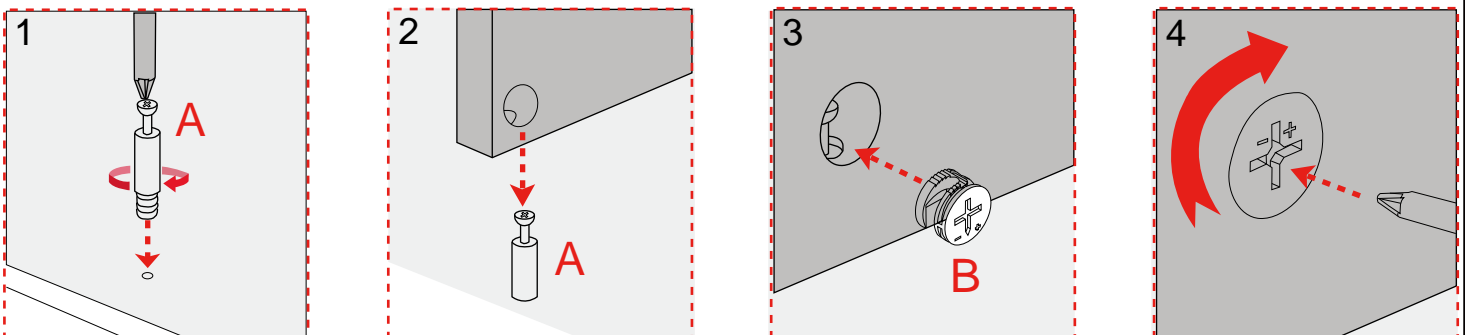
Insert the wood dowel [H] at least half way by tapping lightly with a rubber mallet, IF NECESSARY.



Cam Lock System Operation



1. Screw the cam bolt [A] into the threaded insert on the panel.
2. Connect both panels together making sure cam bolt [A] goes into the pre-drilled large hole on the end of panel for cam lock [B].
3. Insert the cam lock [B] into the pre-drilled large hole on the panel. Make sure the cross slot of cam lock [B] faces out (The arrow should point towards Screw No. A).
4. Rotate the cam lock [B] clockwise with a self-supplied phillips screwdriver to lock the cam bolt [A] in place (Rotate 100-180 degrees until tight).

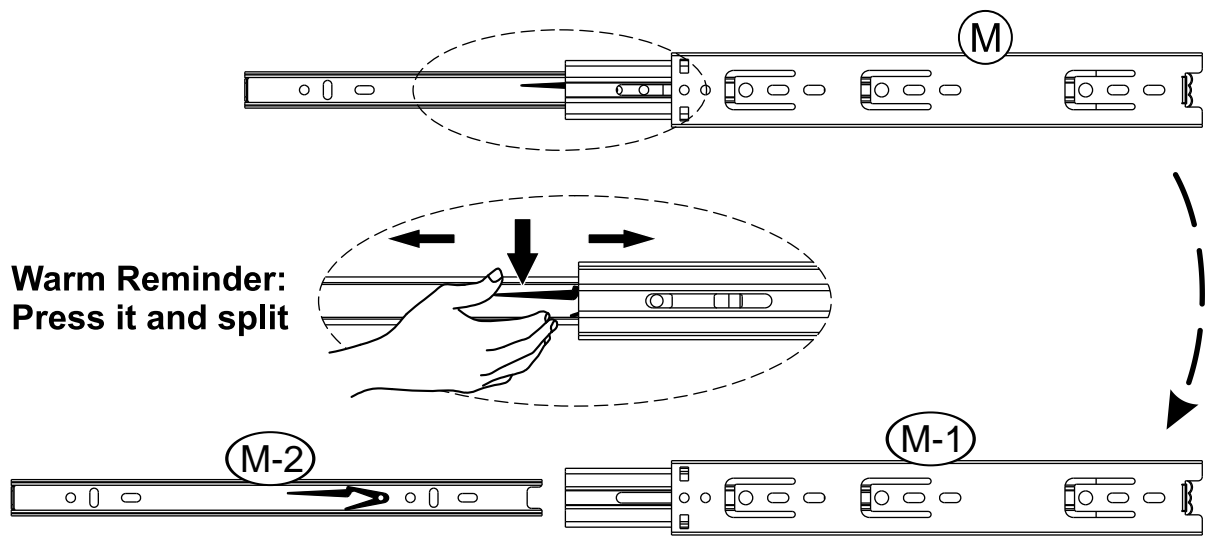


STEP 1

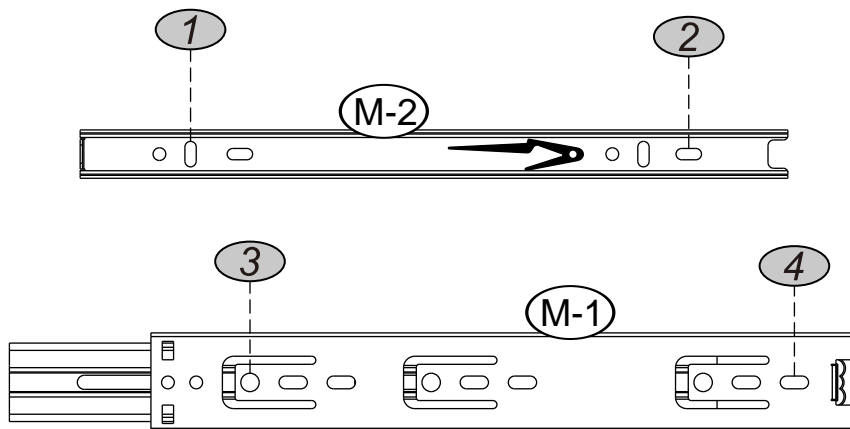


Hardware installation demonstration

- Before installing the drawer rail you need to separate the M-1 and M-2 first.



When assembling, the holes used for fixing the screws are marked as follows:

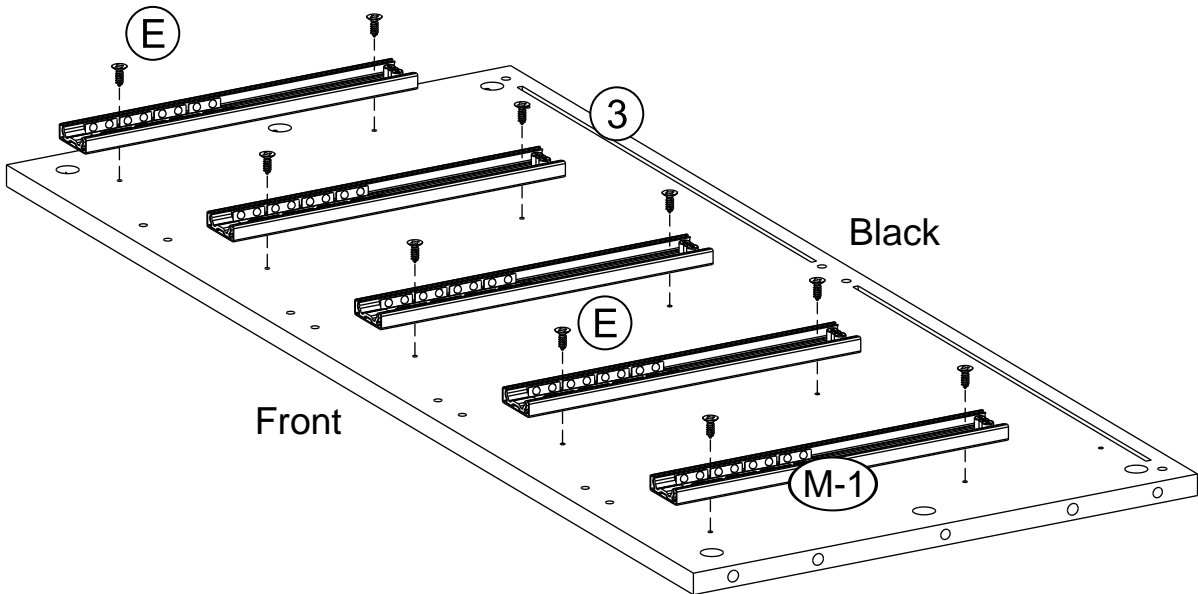
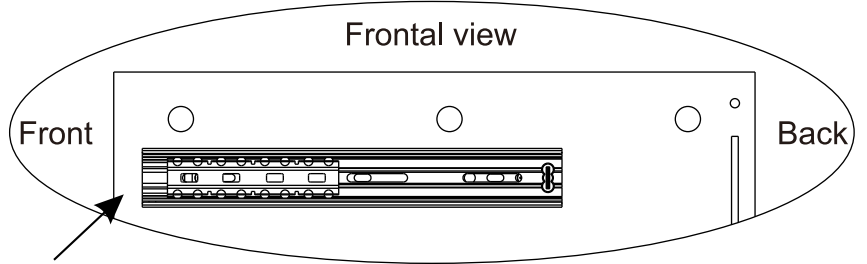
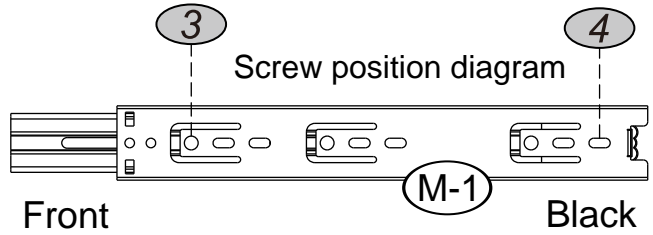


The guide rails have been lubricated before leaving the factory to ensure smooth sliding of the drawer and extend its service life. This is normal.

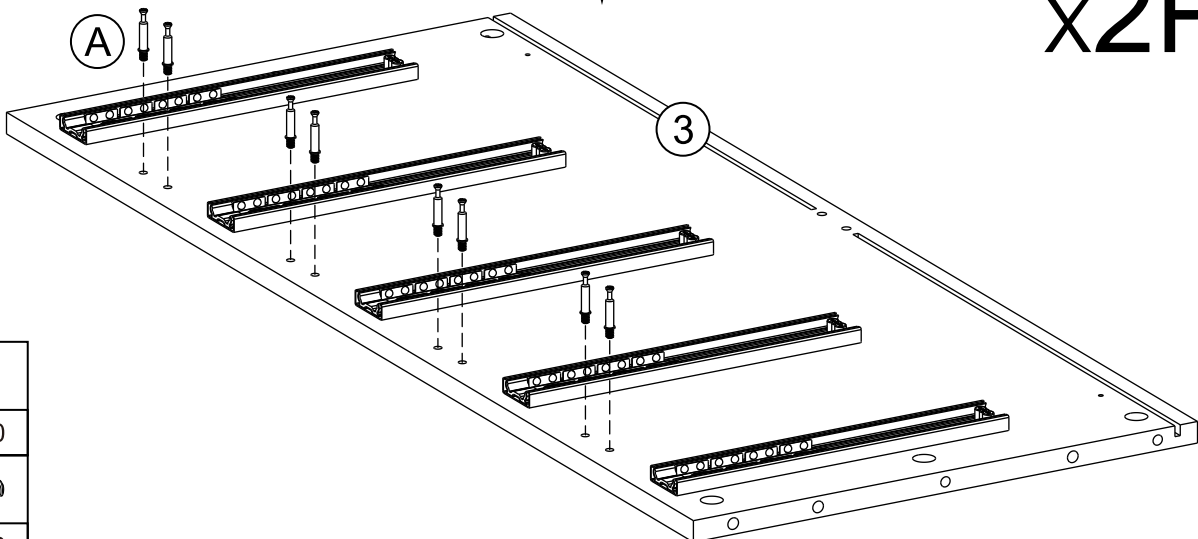
Missing parts? Or feeling stuck?
 Chat with us at VIPService68@outlook.com

STEP 2

First, use 10Pcs No. E screws to install the M-1 outer rail onto Panel No. 3 (please refer to the Screw position diagram and the front view diagram). Then, secure 8Pcs No. A screws onto Panel No. 3. Please note that there are 2Pcs Panel No. 3 that need to be assembled.



x2Pcs

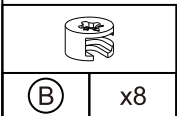
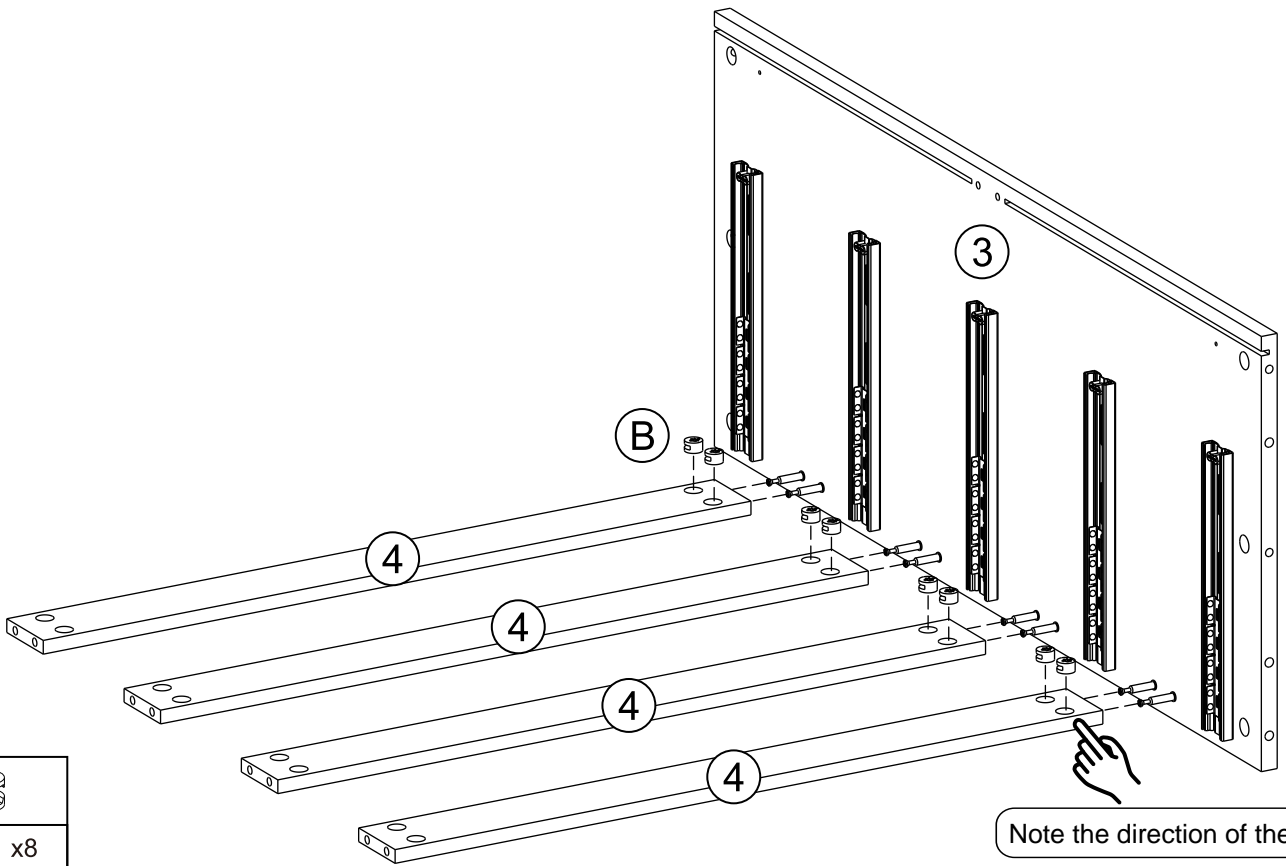


E	x20
A	x16

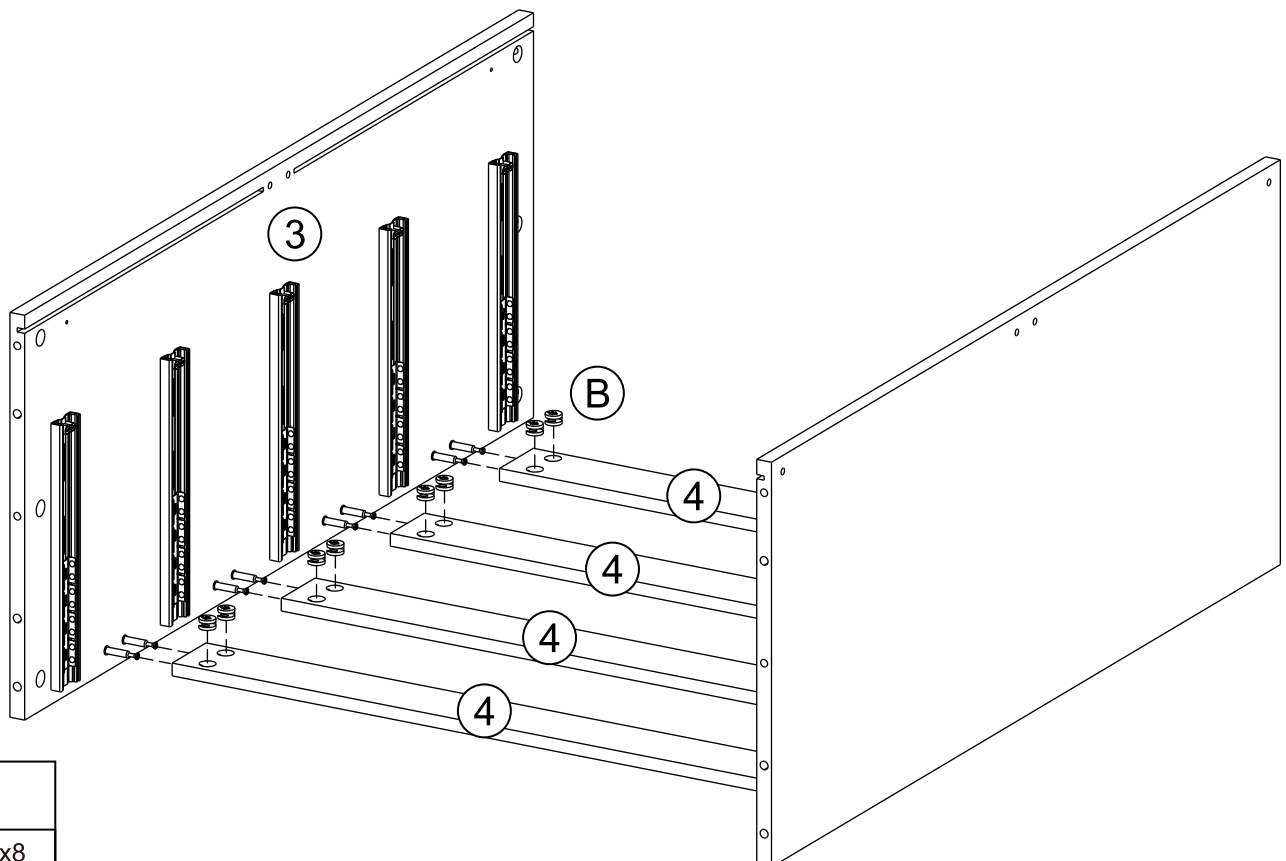


Missing parts? Or feeling stuck?
Chat with us at VIPService68@outlook.com

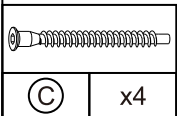
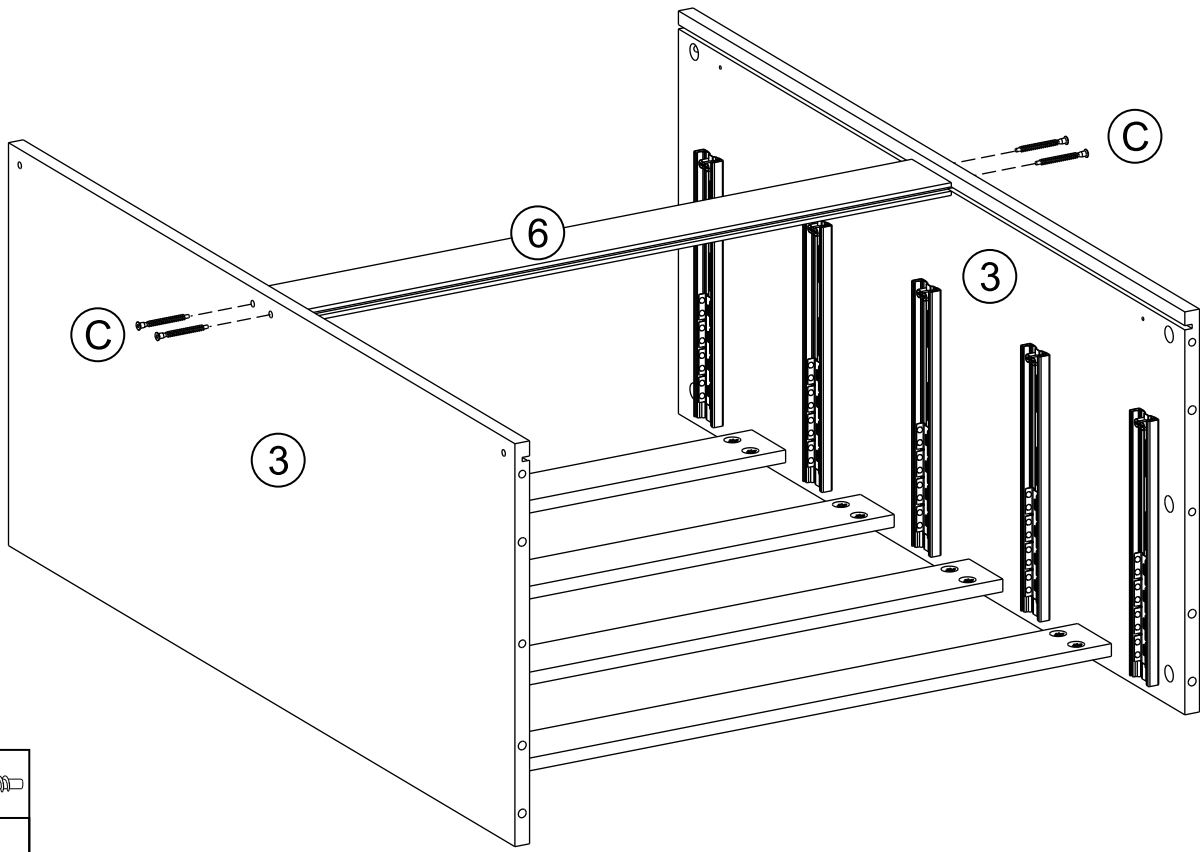
STEP 3 Use 8Pcs No. B screws to connect Panel No. 4 and Panel No. 3. If you are unsure how to install No. B screws, please refer to page 7.



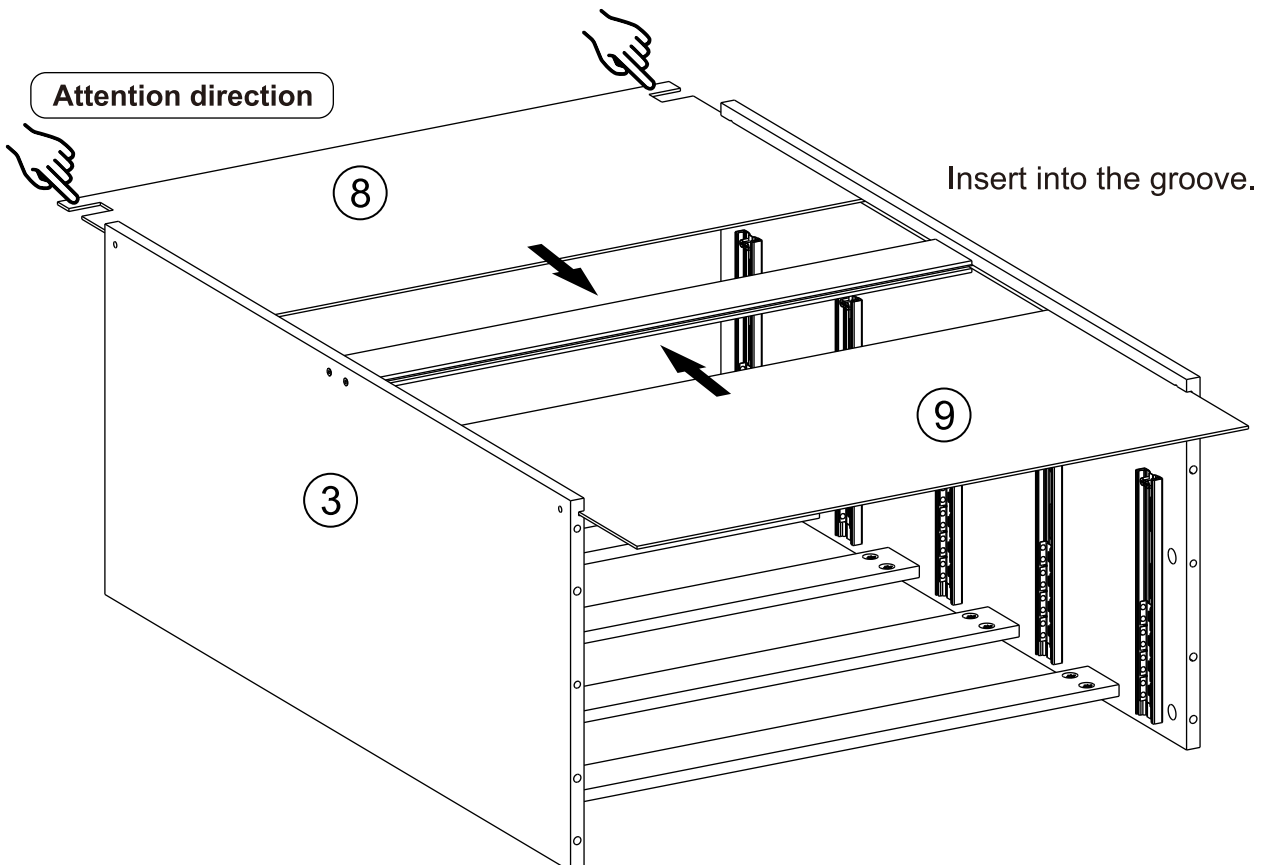
STEP 4 Use 8Pcs No. B screws to connect Panel No. 3 and Panel No. 4.



STEP 5 Use 4Pcs No. C screws to connect Panel No. 3 and Panel No. 6. This step requires a No.O Allen wrench.

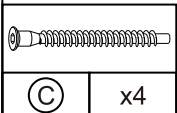
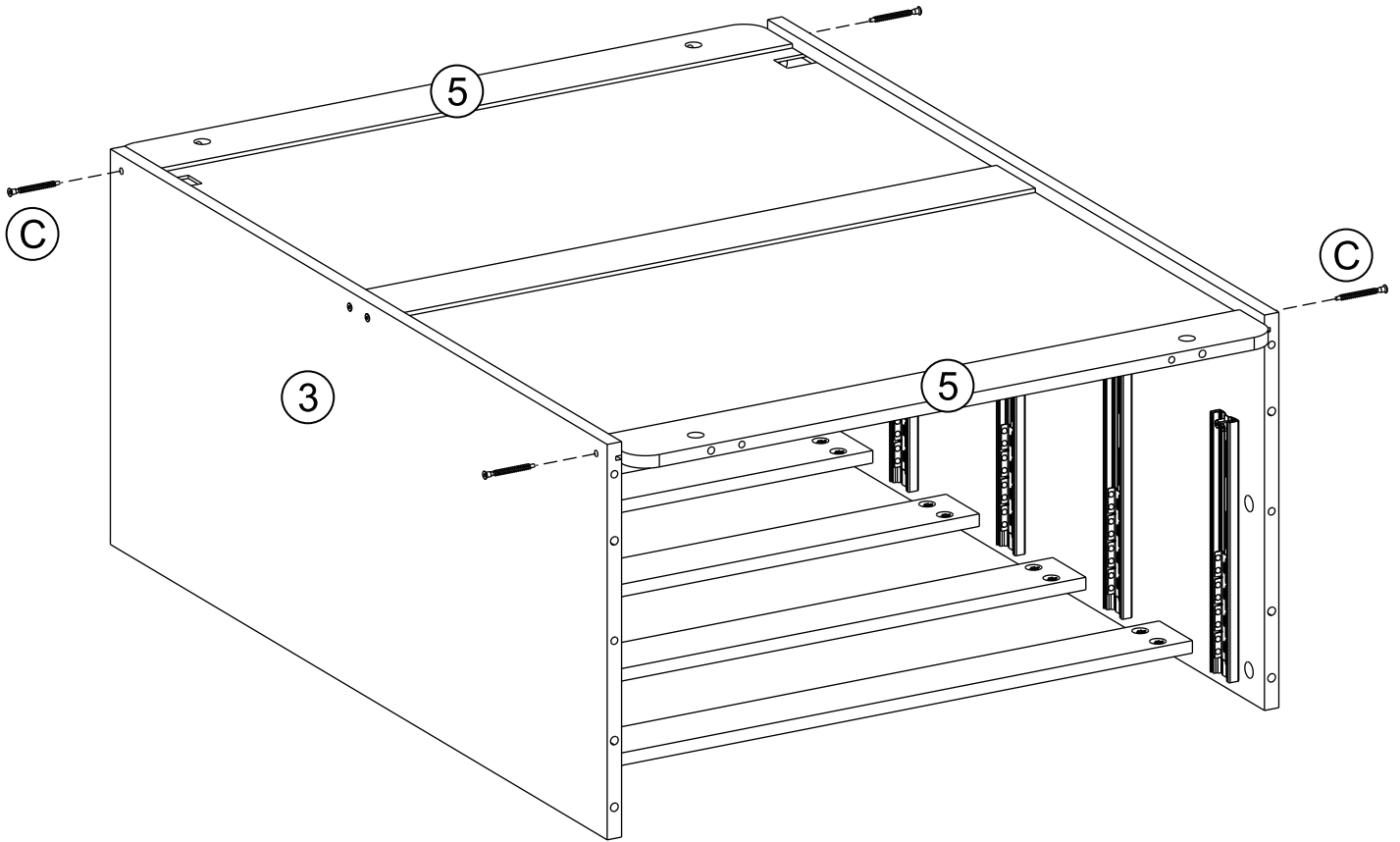


STEP 6 Insert Panel No. 8 and Panel No. 9 into the grooves of Panels No. 3, making sure the notches are in the correct position when inserting.

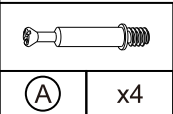
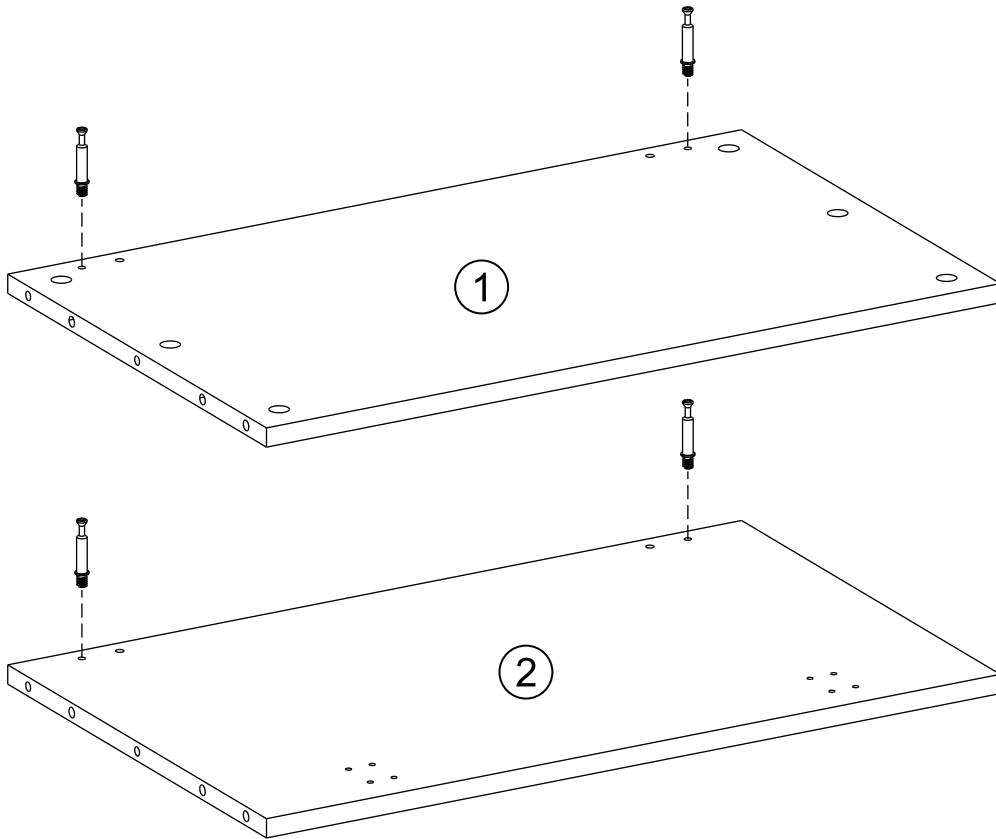


Missing parts? Or feeling stuck?
Chat with us at VIPService68@outlook.com

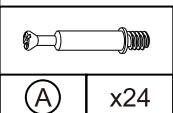
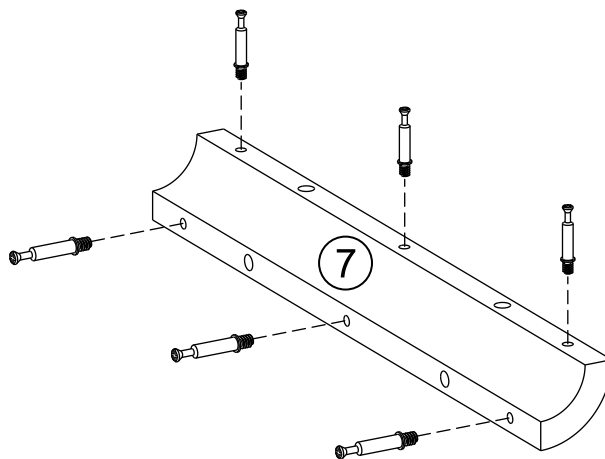
STEP 7 Use 4Pcs No. C screws to connect Panel No. 5 and Panel No. 3. This step requires a No.O Allen wrench.



STEP 8 Install 4Pcs No. A screws into the corresponding holes on Panel No. 1 and Panel No. 2.



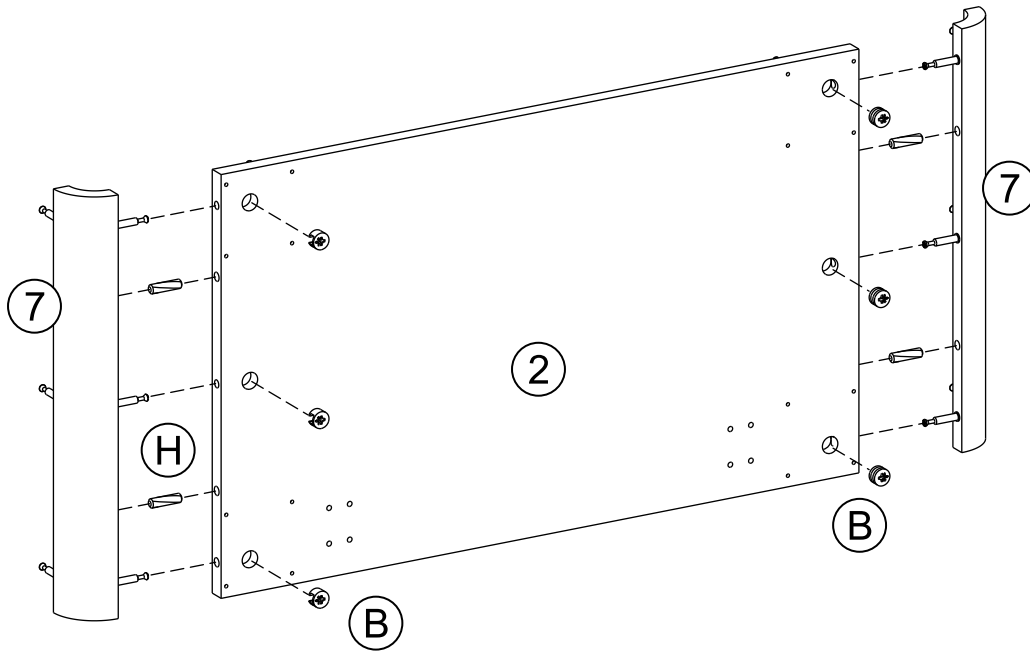
STEP 9 Install 6Pcs No. A screws into the corresponding holes on Panel No. 7. Please note that there are 4Pcs Panel No. 7 that need to be assembled with No. A screws.





x4Pcs

STEP 10

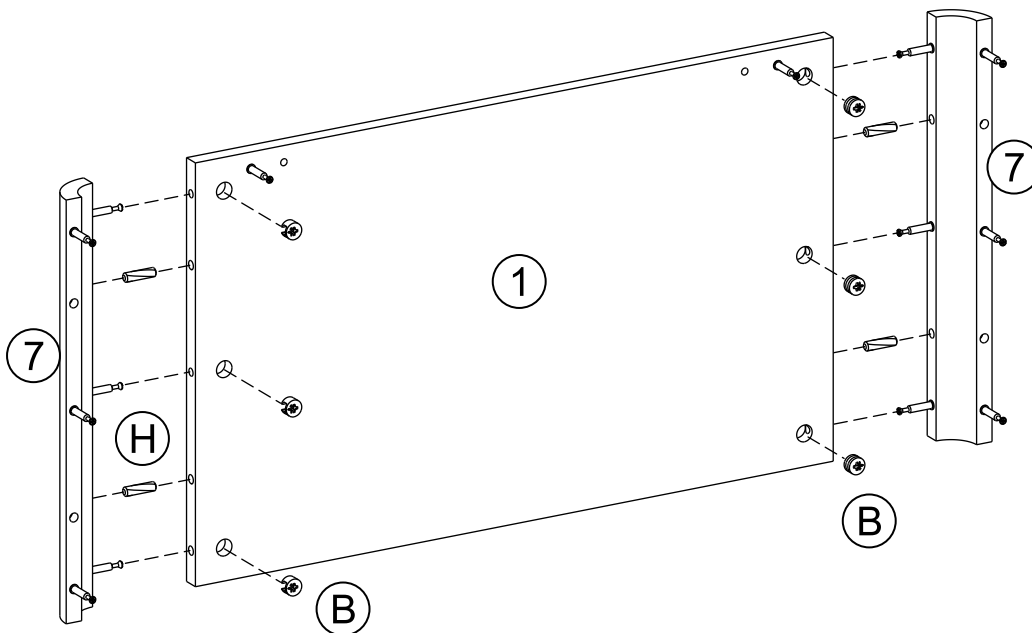
First, insert 4Pcs No. H wooden dowels into the holes on the side of Panel No. 2, and then use 6Pcs No. B screws to connect Panel No. 7 to Panel No. 2.





	
(B)	x6
	
(H)	x4

STEP 11

First, insert 4Pcs No. H wooden dowels into the holes on the side of Panel No. 1, and then use 6Pcs No. B screws to connect Panel No. 7 to Panel No. 1.

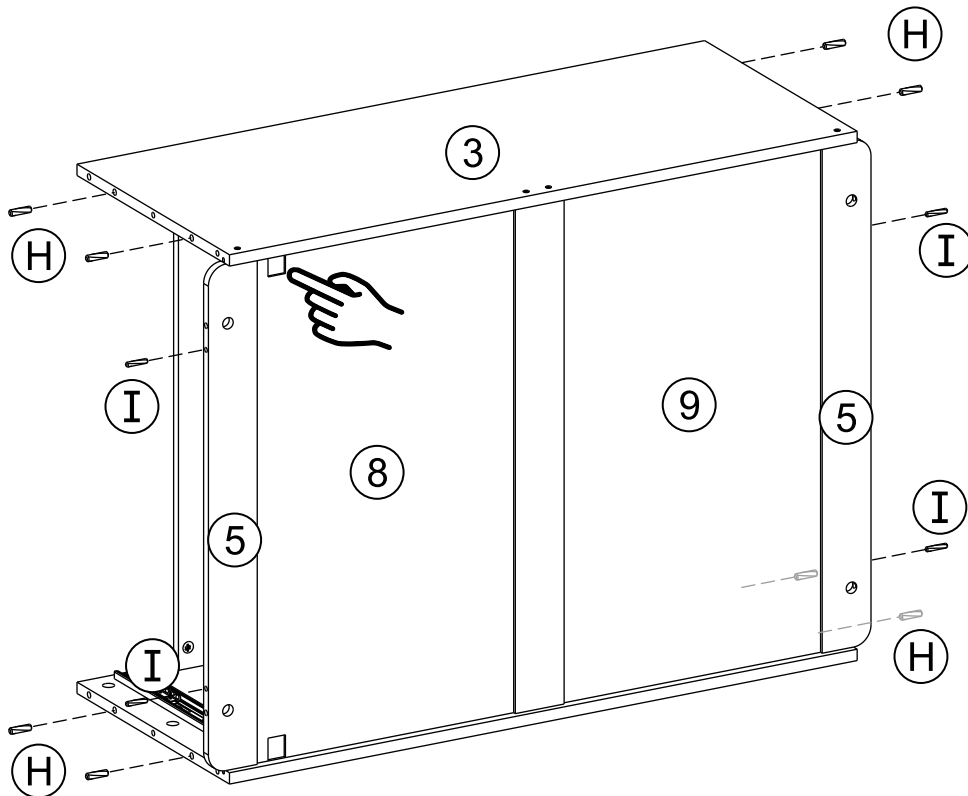


	
(B)	x6
	
(H)	x4



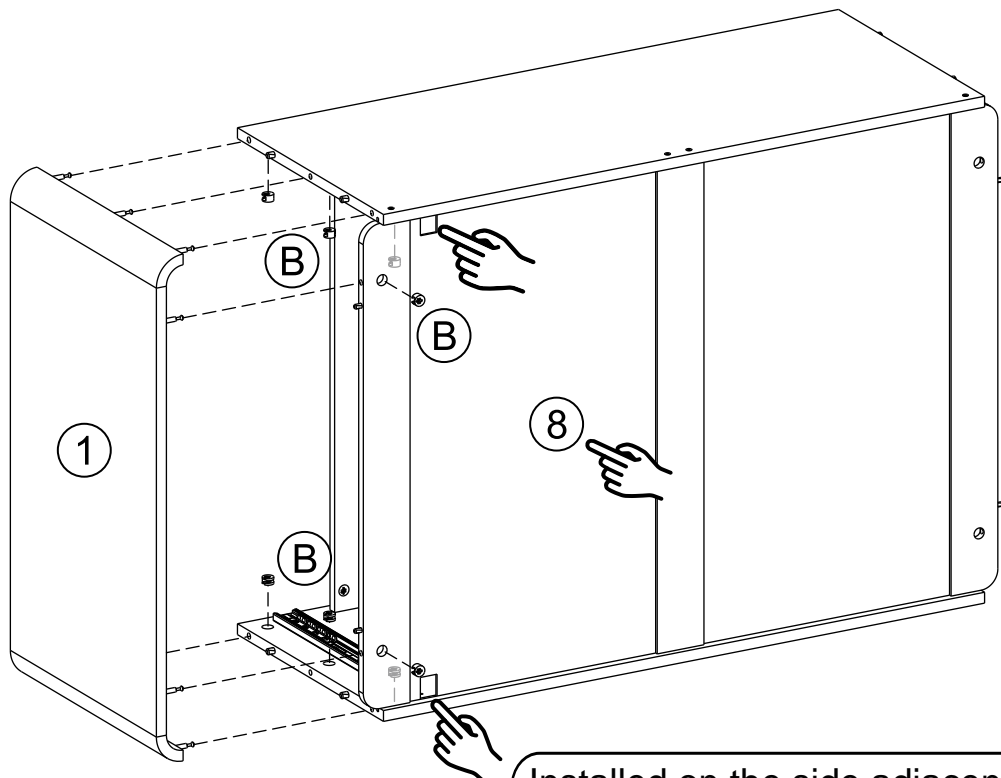
Missing parts? Or feeling stuck?
Chat with us at VIPService68@outlook.com

STEP 12 First, insert 8Pcs No. H wooden plugs into the corresponding holes on the sides of Panels No. 3. Then insert 4Pcs No. I wooden plugs into the corresponding holes on the sides of Panels No. 5.



(H)	x8
(I)	x4

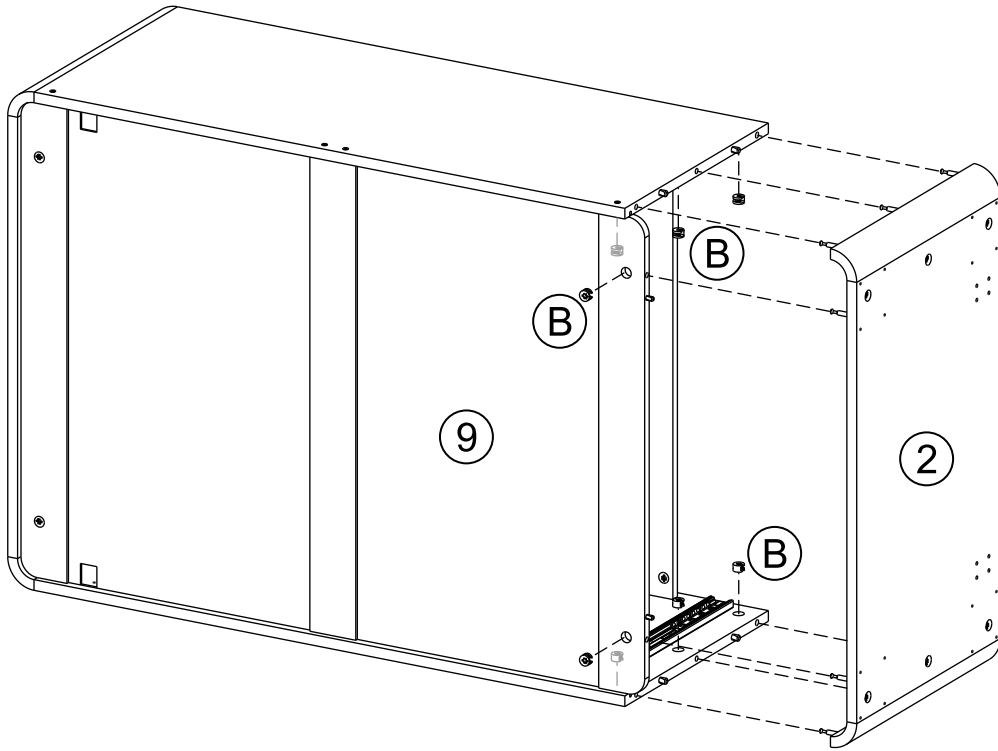
STEP 13 Use 8Pcs No. B screws to connect Panel No. 1 to the cabinet. When assembling, please note that Panel No. 1 should be installed on the side adjacent to Panel No. 8.




Installed on the side adjacent to
Panel No. 8.

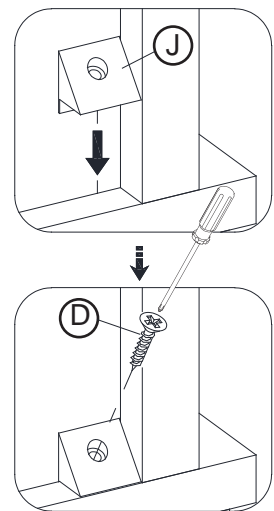
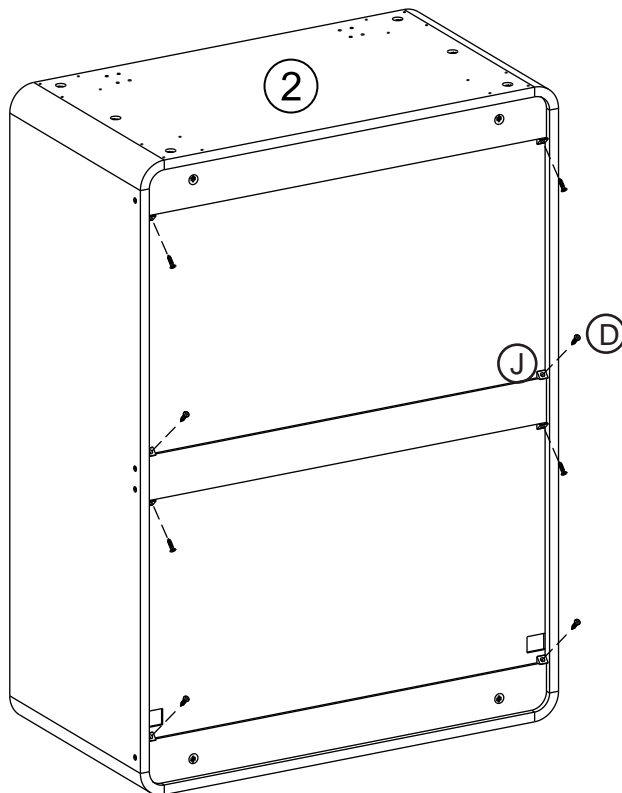
(B)	x8

STEP 14 Use 8Pcs No. B screws to connect Panel No. 2 to the cabinet.





	
(B)	x8

STEP 15 Use 8Pcs No. D screws to install the No. J plastic buckles in the designated positions (as shown in the diagram; please note that there are no pre-drilled holes at these locations). Installing the plastic buckles will enhance the stability of the nightstand and help prevent wobbling.



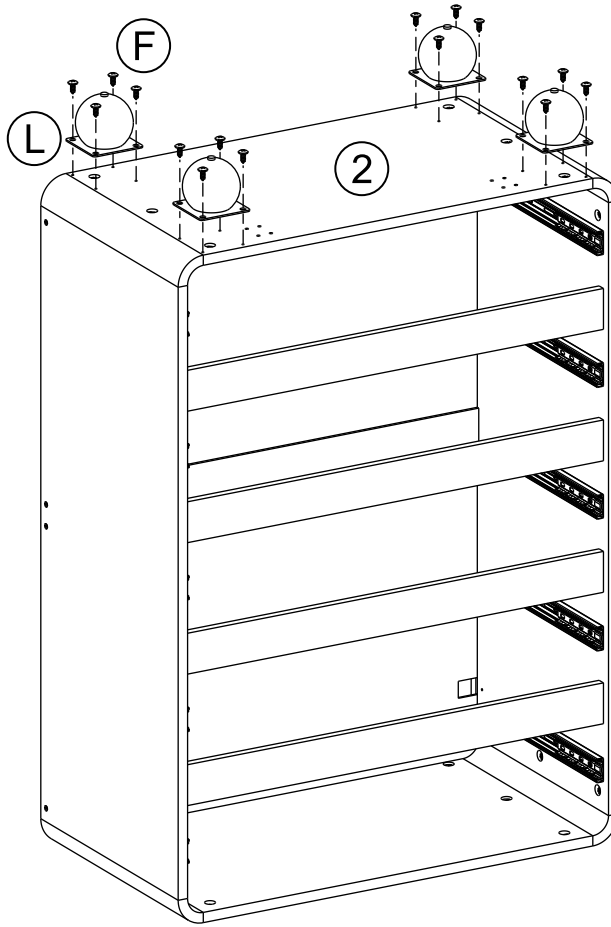
there are no pre-drilled holes at these locations



	
(D)	x8
	
(J)	x8



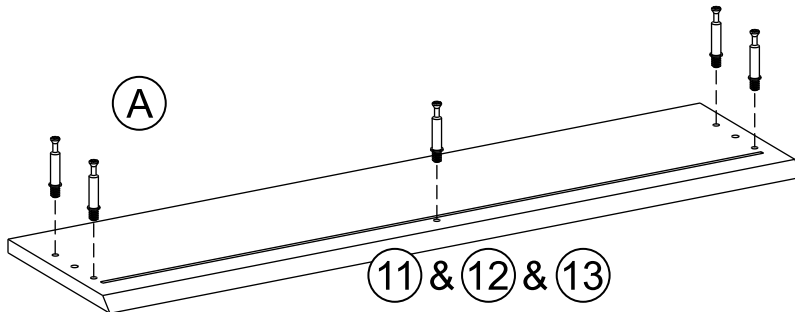
Missing parts? Or feeling stuck?
Chat with us at VIPService68@outlook.com


STEP 16 Use 4Pcs No. F screws to install the No. L support leg on Panel No. 2.



	
(F)	x16
	
(L)	x4

STEP 17 Use 5Pcs No. A screws to install into the corresponding holes on Panels No. 11, No. 12 and No. 13. Please note that there are 5 drawers that need to be assembled.



	
(A)	x25

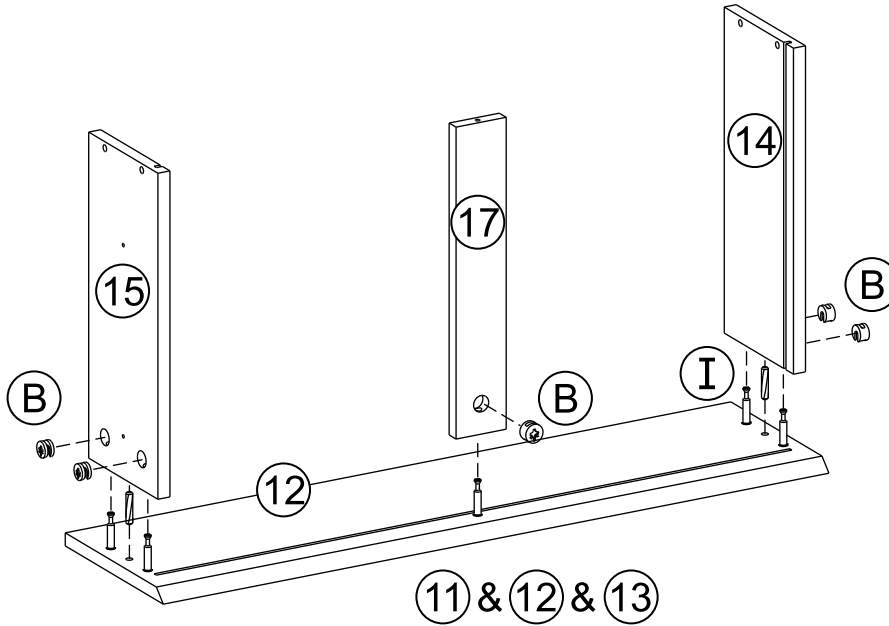
x5Pcs



Missing parts? Or feeling stuck?
Chat with us at VIPService68@outlook.com

STEP 18

First, insert 2Pcs No.I wooden dowels into the corresponding holes on the sides of Panel No.14 and Panel No. 15. Then use 5Pcs No.B screws to connect Panel No.14, No.15 and Panel No.17 to Panels No. 11, No. 12 and No. 13.

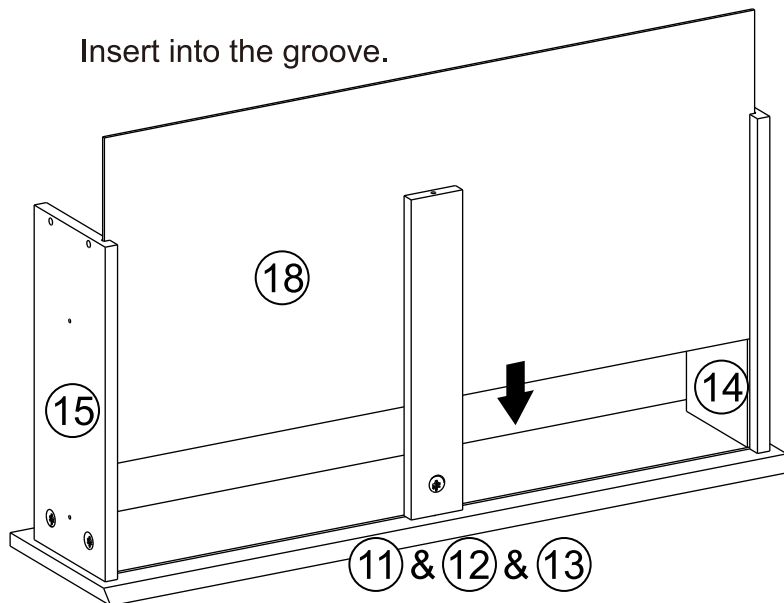


(B)	x25
(I)	x10

x5Pcs

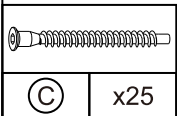
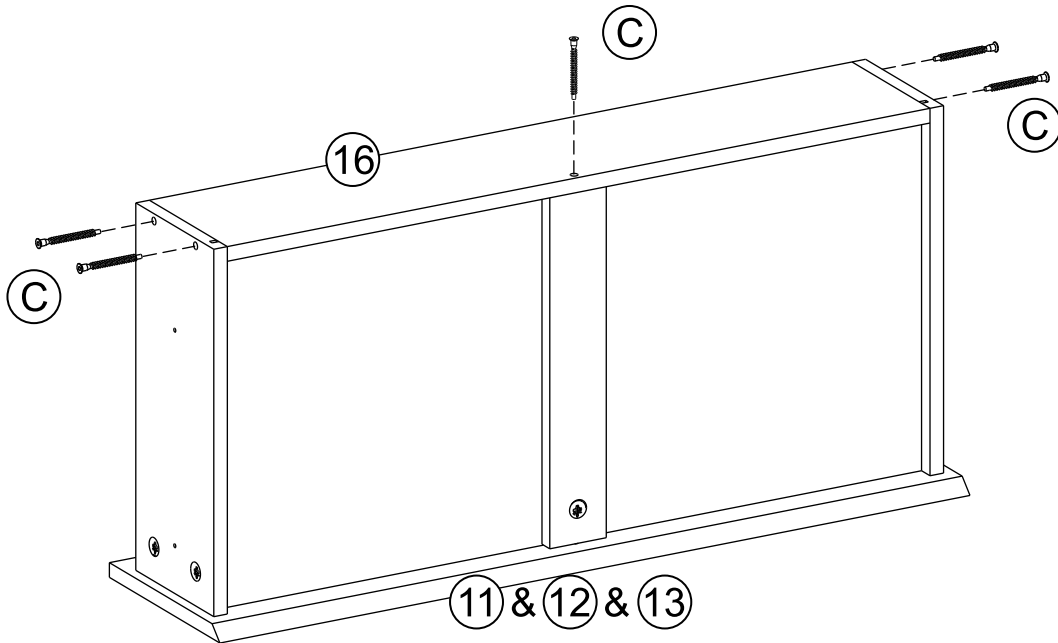
STEP 19

Insert panel No. 18 into the grooves of panels No. 14 and No. 15.



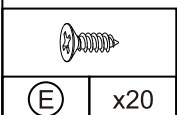
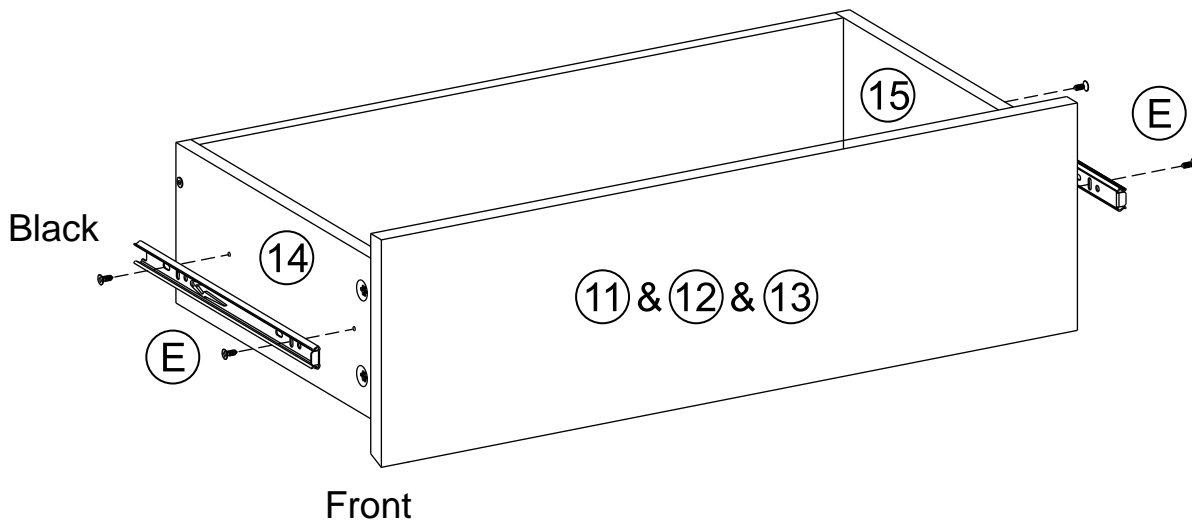
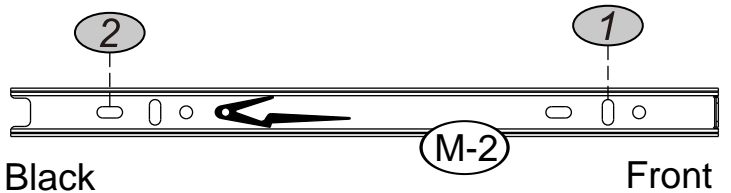
x5Pcs

STEP 20 Use 5Pcs No. C screws to connect panel No. 16 to the drawer. This step requires a No.O Allen wrench.



x5Pcs

STEP 21 Use 4Pcs No. E screws to install the inner rail M-2 on panels No. 14 and No. 15. Make sure the mounting holes are aligned correctly.



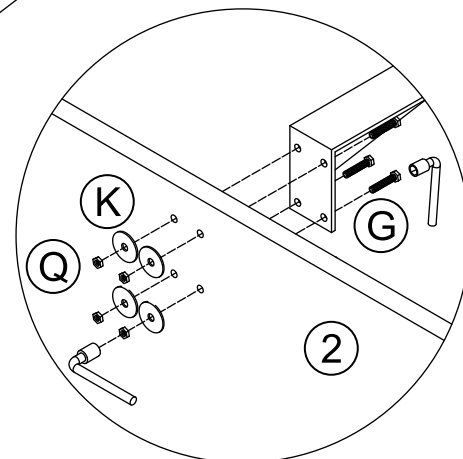
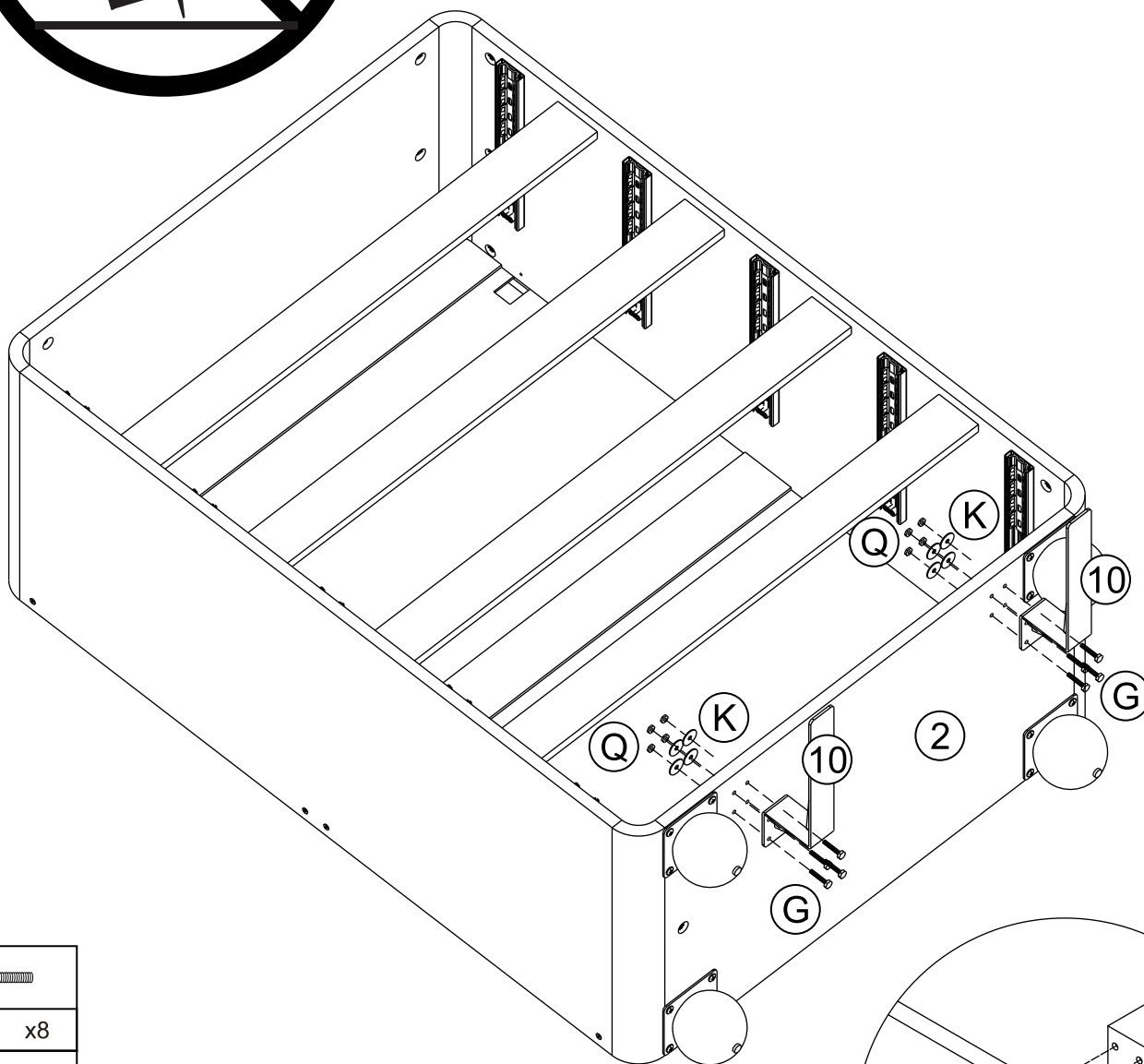
Note: Insert drawers as shown in Step 24.
 Some drawers have fixed positions.

x5Pcs

STEP 22 First, insert 4Pcs No. G screws through the 4 holes on the No. 10 support leg, then pass them through Panel No. 2 and the No. K washers in sequence. Finally, secure them with 4Pcs No. Q nuts. (This step requires 2Pcs No. T wrenches.)



Although installing metal support feet may affect the appearance, it can effectively prevent the furniture from tipping forward when children try to climb on it.



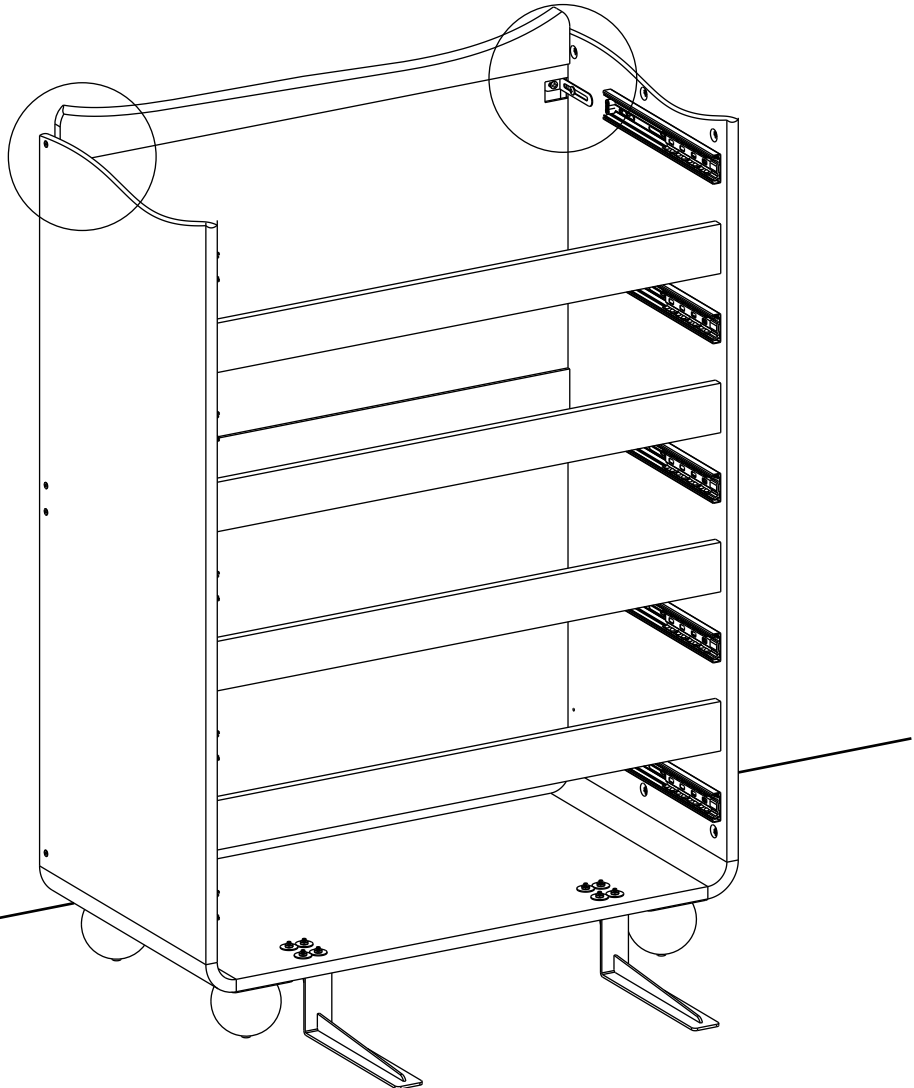
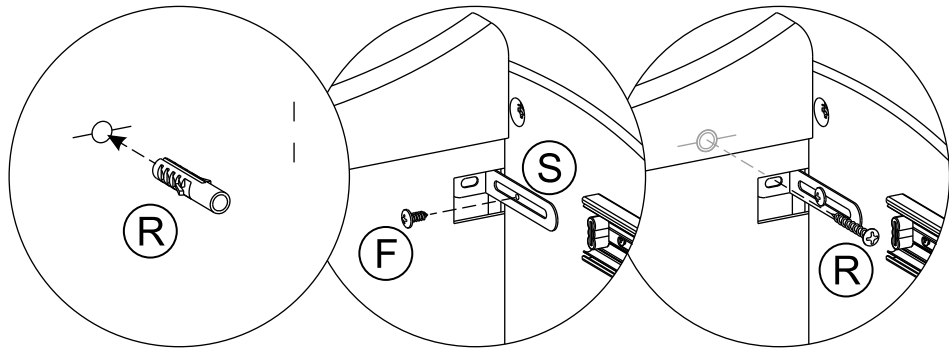
(G)	x8
(K)	x8
(Q)	x8
(T)	x2






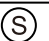


Missing parts? Or feeling stuck?
Chat with us at VIPService68@outlook.com

STEP 23

1. Use a tape measure to mark the wall, then drill holes that fit the product screws, insert the expansion bolt into the drilled hole.
2. Use 2Pcs No. F screws to install the S anti-tip device on the side panel.
3. Use 2Pcs No. R screws to install the anti-tip device on the wall.



	
	x2
	
	x2
	
	x2



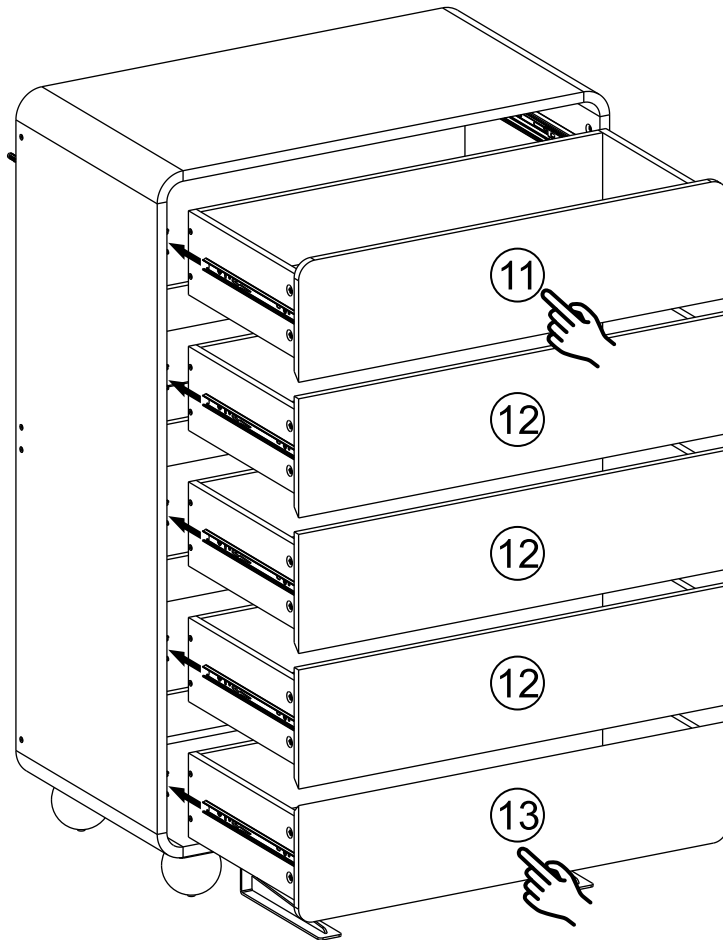
Missing parts? Or feeling stuck?
Chat with us at VIPService68@outlook.com

STEP 24

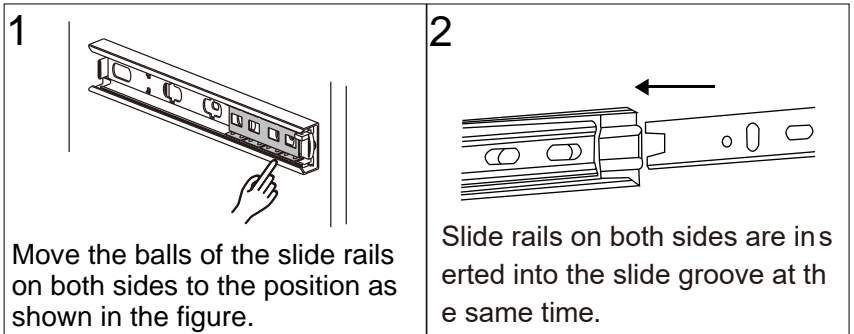
Note: When assembling the inner rail (No. M-2), first insert it into the plastic clip, then push the inner rail (No. M-2) parallel to the outer rail (No. M-1). Forcing it in may cause the rail ball to fall off or deform. If the rail is damaged, please contact us promptly, and we will provide a new one for Free!



Please note that some drawer has a different position and must be installed according to the positions shown in the diagram.



Drawer installation and gap adjustment video



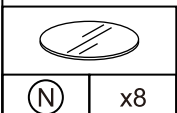
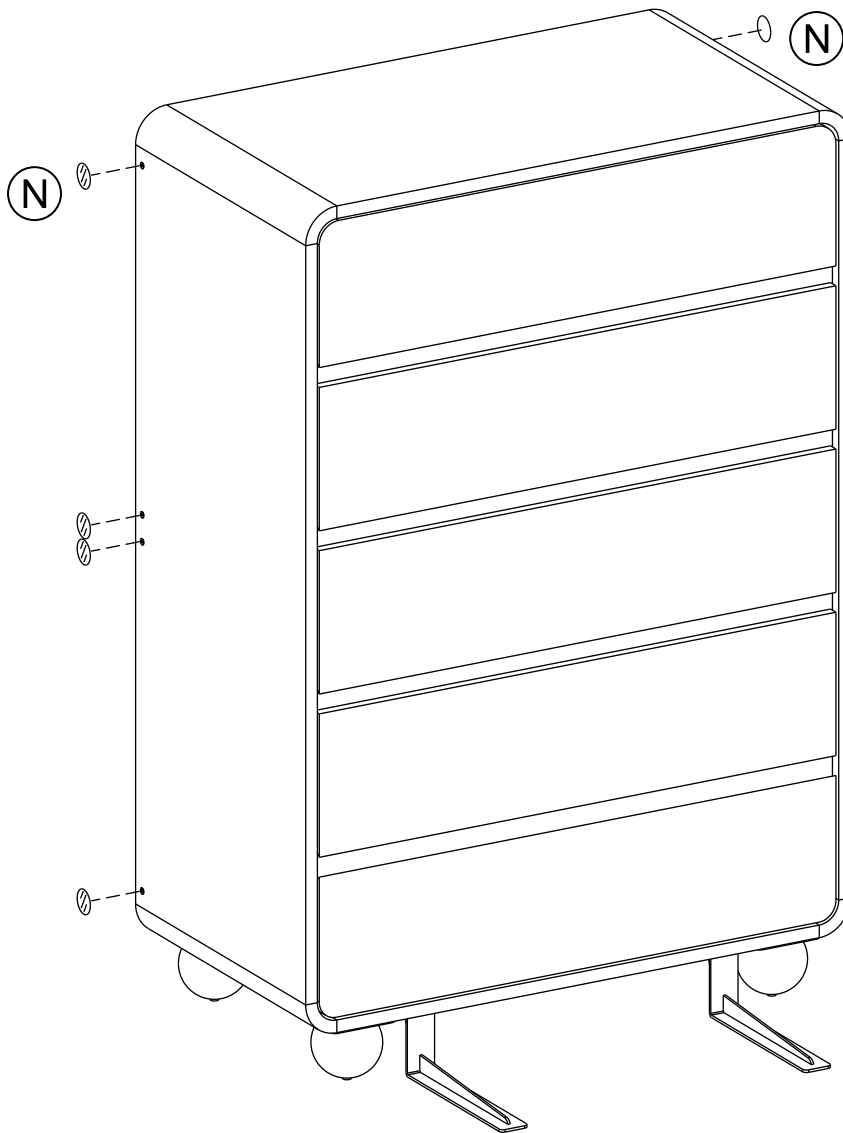


Missing parts? Or feeling stuck?
Chat with us at VIPService68@outlook.com

STEP 25



Wow, you assembled the Furniture incredibly well!
It looks amazing!
You really did it!
You've completed a great challenge!



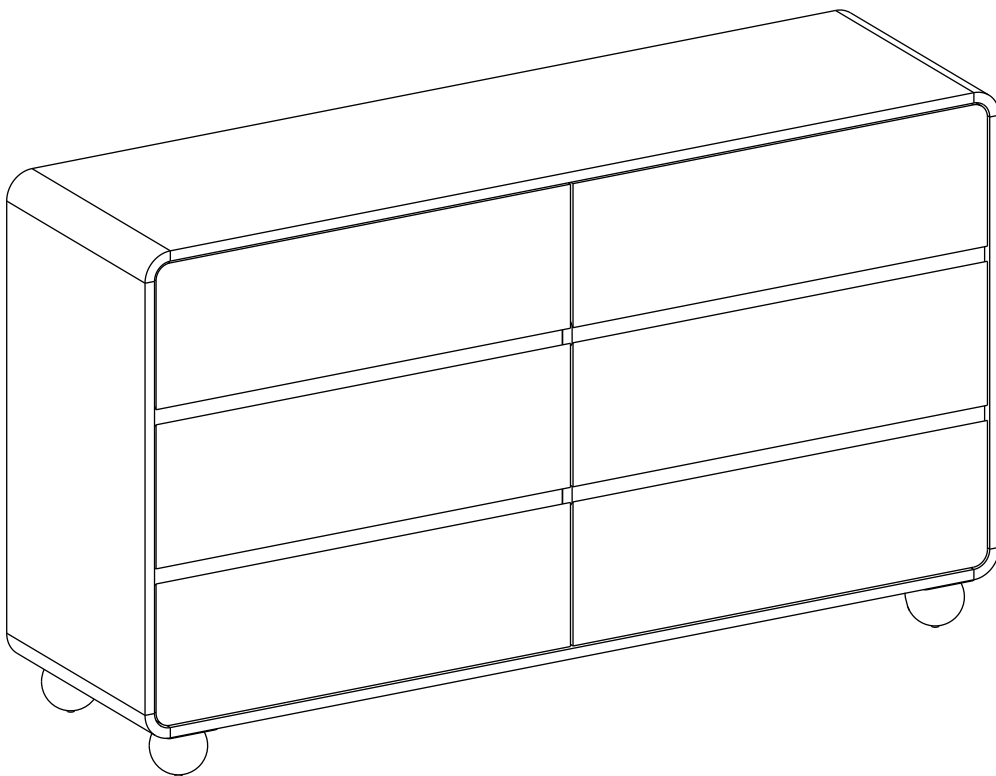


Explore our matching Curved Style furniture collection to make your home truly perfect!





Explore our matching Curved Style furniture collection to make your home truly perfect!



Care Instructions



Your furniture, if treated with respect and love, will last you a long time. Each piece requires light maintenance to maximize its longevity.

Few quick tips before using this product

1. Recommended weight limit for the table top is 150lbs and 22lbs for each drawers.
2. Do not place heavy items in the drawer, as it may tip forward when opened, posing a risk of tipping over.
3. When storing heavier items, place them as close to the bottom drawer as possible for stability.
4. Check and tighten the camlock and screw periodically as it may loose over the time.

How to take care of it?

1. Avoid direct sunlight or use curtains or blinds to limit the sun exposure to the product.
2. Clean the product regularly with a dry, soft cloth.
3. Avoid using abrasive or liquid cleanser.
4. Avoid placing hot objects onto the table top surface.
5. Spillage may damage the surface. Clean immediately with a dry cloth.
6. We recommend using placemats or coasters underneath glasses, cups, bowls or plates to prevent scratches to the table surface.

Frequently Asked Questions



For any enquiries or issues regarding your purchase, chat with us at VIPService68@outlook.com

1. What should I do if my order is incomplete?

Our products ship flat-packed in separate boxes. When your order leaves via FedEx, you'll get an email with tracking details. Keep in mind that FedEx may deliver your boxes separately, so wait until you have them all before you start assembling. If you need help tracking your delivery, please visit aftersaleservice.net or email vipservice68@outlook.com.

2. What should I do if my shipment is damaged or items are defective?

We're really sorry if you received a damaged or defective item. Please email us at vipservice68@outlook.com or chat with us at aftersaleservice.net. Send a description and some photos or videos of the damage, and we'll sort it out as quickly as possible.

3. Can I order replacement parts?

Yes! Just get in touch with our customer service at vipservice68@outlook.com or via chat at aftersaleservice.net. Tell us your order ID, and we'll help you with the parts you need.

4. What warranty do you offer?

Our warranty covers damage that isn't caused by user error. If your product is damaged for these reasons, keep it and send us some photos at vipservice68@outlook.com. We'll review the damage within 24 hours and work for you to find a solution.

5. Why is there lubricant on the drawer slides?

No worries! The drawer slides are lubricated at the factory to ensure smooth movement and to help them last longer. This is completely normal.

6. Why does the new furniture have an odor?

A slight smell is normal with new furniture due to the materials and packaging. It should fade away after a few days of airing out.

7. Why is there a slight color difference in my furniture?

The color may appear different under varying lighting conditions and display settings. In dim lighting, the wood grain may look darker. This is completely normal and just part of the natural characteristics of the material.

8. My furniture seems smaller than expected. What should I do?

Our product dimensions are accurate. Pictures often focus closely on the item, which can make it appear larger than it really is. When placed in a bigger room, the furniture might seem smaller. Room layout and screen settings can also affect your perception of size. If you have any concerns or need more details, please contact our customer service at aftersaleservice.net or email vipservice68@outlook.com. We're here to help!

9. What should I do if I want to return the product?

We offer a 30-day return policy from when you receive your order. To start a return, please contact us through Amazon, email vipservice68@outlook.com, or visit aftersaleservice.net. Just let us know why you're returning the item, and we'll help you out.

⚠ WARNING



Children have died from furniture tipover. To reduce the risk of furniture tipover:

- ALWAYS install Anti-tip device provided.
- NEVER put a TV on this product.
- NEVER allow children to stand, climb or hang on drawers, doors, or shelves.
- NEVER open more than one drawer at a time.
- Place heaviest items in the lowest drawers.



*This is a permanent label.
Do not remove!*