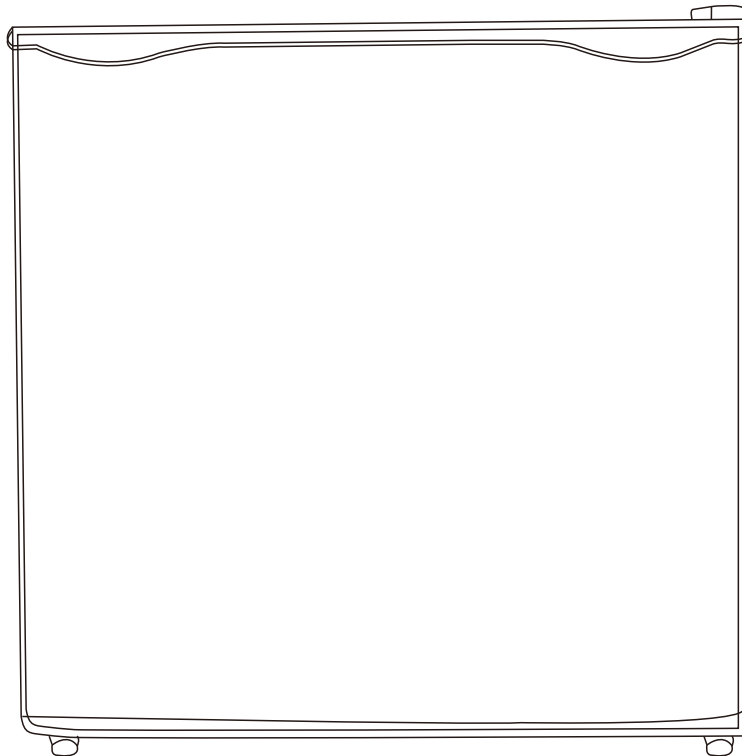




IN240400289V03\_UK\_FR\_DE\_IT\_ES

**800-127V70\_800-127V90**

**800-127V91**



**UPRIGHT FREEZER  
CONGÉLATEUR VERTICAL  
GEFRIERSCHRANK  
CONGELATORE VERTICALE  
CONGELADOR VERTICAL**



**EN\_IMPORTANT, RETAIN FOR FUTURE REFERENCE: READ CAREFULLY.**

**FR\_IMPORTANT : A LIRE ATTENTIVEMEN ET A CONSERVER POUR VOUS Y REFERER  
ULTERIEUREMENT**

**ES\_IMPORTANTE, LEA Y GUARDE PARA FUTURAS REFERENCIAS.**

**PT\_IMPORTANTE, RETAR PARA REFERÉNCIA FUTURA: LEIA ATENTAMENTE.**

**DE\_WICHTIG! SORGFÄLTIG LESEN UND FÜR SPÄTER NACHSCHLAGEN AUFBEWAHREN.**

**IT\_IMPORTANTE! CONSERVARE IL PRESENTE MANUALE PER FUTURO RIFERIMENTO E  
LEggerlo ATTENTAMENTE.**

# CONTENTS

<b>IMPORTANT SAFETY INSTRUCTIONS</b> .....	<b>3</b>
<b>GENERAL</b> .....	<b>4</b>
<b>UNPACKING, REFACKING AND MOVING</b> .....	<b>4</b>
<b>NAME OF ITEMS</b> .....	<b>5</b>
<b>INSTALLATION</b> .....	<b>5</b>
<b>OPERATION</b> .....	<b>6</b>
<b>DEFROSTING</b> .....	<b>6</b>
<b>CLEANING AND MAINTENANCE</b> .....	<b>6</b>
<b>SAFETY INSTRUCTIONS</b> .....	<b>7</b>
<b>SPECIFICATIONS</b> .....	<b>8</b>
<b>SERVICE</b> .....	<b>9</b>
<b>OLD APPLIANCES</b> .....	<b>9</b>

## IMPORTANT SAFETY INSTRUCTIONS



**NOTE:** If the refrigerator/freezer has been placed in a horizontal or tilted position for any period of time, wait 24 hours before plugging the unit in.

**Please read the following instruction carefully before using your freezer.**

- This appliance can be used by children aged from 8 years and above and persons with reduced physical, sensory or mental capabilities or lack of experience and knowledge if they have been given supervision or instruction concerning use of the appliance in a safe way and understand the hazards involved. Children shall not play with the appliance. Cleaning and user maintenance shall not be made by children without supervision. Children aged from 3 to 8 years are not allowed to load and unload refrigerating appliances.
- If the supply cord is damaged, it must be replaced by the manufacturer, its service agent or similarly qualified persons in order to avoid a hazard.
- **WARNING:** Keep ventilation openings, in the appliance enclosure or in the built-in structure, clear of obstruction.
- **WARNING:** Do not use mechanical devices or other means to accelerate the defrosting process, other than those recommended by the manufacturer.
- **WARNING:** Do not damage the refrigerant circuit.
- **WARNING:** Do not use electrical appliances inside the food storage compartments of the appliance, unless they are of the type recommended by the manufacturer.
- Do not store explosive substances such as aerosol cans with a flammable propellant in this appliance.



- **WARNING:** Risk of fire / Flammable materials
- **WARNING:** When positioning the appliance, ensure the supply cord is not trapped or damaged.
- **WARNING:** Do not locate multiple portable socket-outlets or portable power supplies at the rear of the appliance.
- To avoid contamination of food, please respect the following instructions:
  - Opening the door for long periods can cause a significant increase of the temperature in the compartments of the appliance.
  - Clean regularly surfaces that can come in contact with food and accessible drainage systems.
  - Clean water tanks if they have not been used for 48 h; flush the water system connected to a water supply if water has not been drawn for 5 days.
  - Store raw meat and fish in suitable containers in the refrigerator, so that it is not in contact with or drip onto other food.

- Two-star frozen-food compartments are suitable for storing pre-frozen food, storing or making ice-cream and making ice cubes.
- One-, two- and three-star compartments are not suitable for the freezing of fresh food.
- If the refrigerating appliance is left empty for long periods, switch off, defrost, clean, dry, and leave the door open to prevent mould developing within the appliance.
- This refrigerating appliance is not intended to be used as a built-in appliance.
- This refrigerating appliance is intended to be used at ambient temperatures ranging from 16 °C to 38 °C.
- The freezer includes 1 wire shelf, just put it into cabinet accordingly, then it is okay.
- How to minimize the energy consumption of the household appliance in the use phase?
  - Do not put hot food inside the freezer.
  - Do not open and close door frequently.
  - Do not put too much fresh food into freezer one time.
  - When food is frozen enough, adjust thermostat to lower location.
  - Ensure the door closes well when using.
- Wrap all food items with a plastic protection film to avoid dehydration and lose food flavour. If you do not use the freezer for a long period of time, disconnect power, clean the inside parts, put the freezer in a dry area and leave the door slightly open.

## **GENERAL**

This freezer is intended to be used in household and similar applications such as:

- staff kitchen areas in shops, offices and other working environments;
- farm houses and by clients in hotels, motels and other residential type environments;
- bed and breakfast type environments;
- catering and similar non-retail applications.

## **UNPACKING, REPACKING AND MOVING**

### **1. UNPACKING**

Just cut off the packing band, then pull the carton up.

### **2. REPACKING**

Please remember to put the original foamed pads in place.

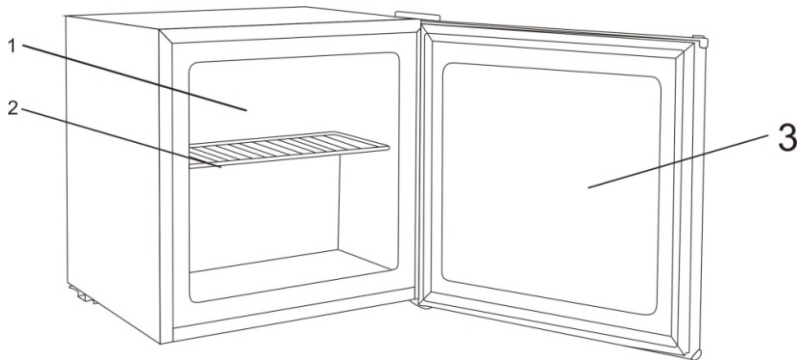
### **3. MOVING**

Be sure freezer stays in upright position during moving it.

Do not tilt it for more than 45° from upright. Never upset it.

Do not apply force on any external part such as pipe, condenser, door and its handle for moving, freezer must be well packed and secured in long distance transportation to avoid damage from impacting and or great rocking.

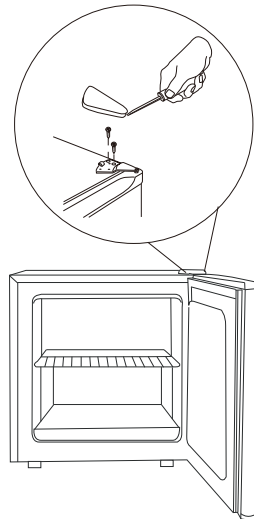
## NAME OF ITEMS



1. Freezer chamber
2. Freezer shelf
3. Freezer door

## INSTALLATION

The freezer should be placed on a flat and solid-top surface. It should be kept away from sunlight, heat source, humid or mess place. The freezer should be kept away from the wall for a proper space for good air circulation. When the freezer is placed in a cupboard, the rear of the cupboard must be removed out for good circulation.



## DOOR ALIGNMENT

1. Remove the top hinge cover using a flathead screwdriver. Gently lift from the rear of the hinge and slide forward.
2. Loosen the top hinge screws using a Phillips head screwdriver.
3. Adjust the door or put a spacer in between and then tighten the screws.
4. Replace the top hinge cover by aligning the rear of the cover with the rear of the hinge. Press firmly on the front of the cover until it snaps in place.

## OPERATION

1. Before the freezer is plugged in, check the following:
  - There must not be any damage on all electrical wire.
  - Earthing screw must be well fixed.
  - Wall outlet must be properly earthed.

Be sure that everything is in normal condition and the freezer can be plugged in.

2. When operating for the first time

When operating is in normal condition and the freezer without any load until it auto stops at the desired temperature, Usually it takes 2 or 3 hours. Then set the thermostat to the required setting and place foods in.

3. Temperature control

Freezer's temperature can be adjusted by turning the knob of the thermostat that at the rear of unit. The closer to "5" position the knob is set, the lower the temperature becomes. A medium setting is the most suitable for general operation. The position "5" is cooler than the position "1".

Freezer's temperature will vary depending on the quantity of foods stored and the frequency of the door opening. In order to maintain good cooling efficiency and save energy, we recommend you not to store too much foods and not to open the door too frequently. And you can turn to "0", the unit will stop working.

**CAUTION:** When the thermostat has been turned clockwise to "5" position, do not attempt to turn it more over. Otherwise it will be damaged.

## DEFROSTING

For the most efficient operation and minimum energy consumption, defrost the freezer when the frost on the evaporator is excessive 3 to 4 mm thick. To start defrosting, turn the temperature control to "0", unplug the freezer, remove the food and drawers. After the frost or ice has melted, discard the melted water and dry up the interior of freezer. Then the freezer can be restarted by a turning its thermostat to the desired setting.

**CAUTION:** Never use any sharp of metallic instruments (e.g. knives) to remove frost/ice from the evaporator as this will damage the evaporator. A punctured evaporator will cause serious problems.

## CLEANING AND MAINTENANCE

1. To clean the freezer, disconnect power supply and remove foods, drawers etc. Use a solution mixed with 2 spoons of baking soda per litre of warm water to clean the interior. Then wipe it clean with fresh water. Never use acids, chemical thinner, gasoline, benzene or the like for cleaning any part of the freezer. Never use oiling water and benzene to clean plastic parts, because they may deform or damage the plastic parts.
2. Too much foods or a too large container in the freezer will affect cold air circulation, so some free space must be left. It is recommended that about 70% storage volume is

loaded. Do not store volatile and or explosive materials such as ethers, gasoline, liquefied petroleum gas, adhesives etc. in the refrigerator. Otherwise there will be a danger of explosion caused by electric sparks.

## **SAFETY INSTRUCTIONS**

Before plugging your freezer in check that the electric supply in your house must comply with the rating (voltage, frequency)of the freezer, the rating plate is usually on the back of the freezer. The freezer should always be plugged in its own individual electrical outlet to prevent overload, which could cause a possible fire hazard from overheating wires. Do not splash water on the freezer as this will cause electrical leakage or failure. If the power cord becomes damaged, ask on electrician to replace it immediately. The freezer must be properly earthed.

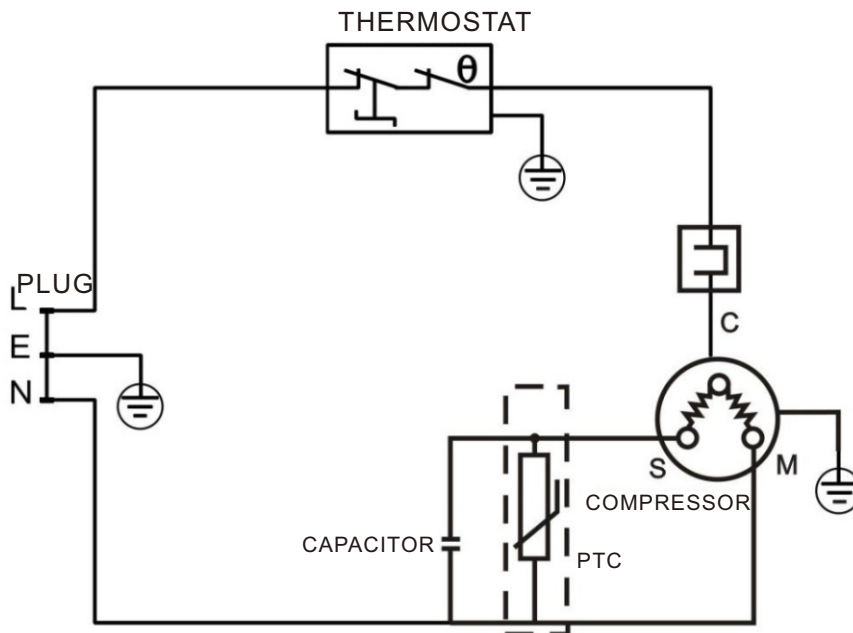
- Our corporation is not responsible for any accident caused by improper earthing or improper operation.
- Any repairs and work on the appliance should only be carried out by the customer service department, as unauthorized work could prove highly dangerous for the user.
- Do not store explosives or sprays using combustible propellants such as butane, propane, pentane etc.
- In the appliance, electrical components might cause leaking gas to ignite. You may identify such sprays by the printed contents or a flame symbol.
- Do not allow naked flames or ignition sources to enter the appliance.
- Do not use steam cleaners for defrosting and cleaning.
- Do not use mechanical devices or other means to accelerate the defrosting process, other than those recommended by the manufacturer.
- Do not damage the refrigerant circuit.
- Do not use electrical appliances inside the food storage compartments of appliance, unless they are of the type recommended by the manufacturer.
- Do not store explosive substances such as aerosol cans with flammable propellant in this appliance.
- If the supply cord is damaged, it must be replaced by the manufacturer, its service agent or similarly qualified persons in order to avoid a hazard.
- Please dispose the appliance according to the local rule for the blowing gases.
- Please unplug the refrigerator before replace the lamp. Use the suitable lamp.
- The appliance must be positioned so that the plug is accessible.
- Keep ventilation openings, in the appliance enclosure or in the built-in structure, clear of obstruction.

## SPECIFICATIONS

### ELECTRIC PARAMETER

Model	800-127V70
Rated voltage	220-240V~
Rated frequency	50Hz
Rated cooling current	0.7A
Protection class	I
Climate class	N,ST
Refrigerant	R600a/24g
Blowing gas	C <sub>5</sub> H <sub>10</sub>
Rated storage volume	35L
Rated freezing capacity	2.5kg/24h
Rated energy consumption	0.48kWh/24h
Net weight	14.5kg

### CIRCUIT DIAGRAM



**Note: Specifications subject to change without notice.**

## SERVICE

If the refrigerator is not functioning properly, check that:

1. When the refrigerator does not operate:

- The power plug is firmly in the wall outlet.
- The mains power switch is off.
- The fuse is not burned out.

2. When the refrigerator does not cool enough:

- The thermostat is at the correct setting, there are too frequent and too long door openings.

3. When the foods are frozen:

- The thermostat is at the correct setting.

4. When the refrigerator operates too noisily:

- The refrigerator is not touching furniture that can transmit or amplify a noise or a vibration.
- The refrigerator properly levelled.
- The containers or solid packages stored inside are not touching each other.
- The mains supply is stable.

If your refrigerator is still not functioning properly after making the above checks, please contact the sales dealer immediately.

**Note: During the period of high humidity, moisture may form on the outside of the refrigerator, it is not unusual. You may just wipe it up yourself.**

## OLD APPLIANCES

The cabinet of appliance is formed by cyclopentane. Old appliance contains harmful materials and should be disposed of with bulk refuse.



1. Remove the spring-action or bolt catch from the appliance or render it unusable so that children cannot become trapped inside and suffocate.
2. Ensure that the refrigerant circuit is not damaged before the appliance that is no longer needed is taken away for disposal. In this way the refrigerant will not escape into the environment.

Information concerning the refrigerant and insulating materials used can be found on the type plate and disposal instructions on the appliance.

Information on collection dates or collection points can be obtained from the waste disposal authorities or your local council.

# CONTENUTI

<b>ISTRUZIONI DI SICUREZZA IMPORTANTI</b> .....	<b>11</b>
<b>GENERALE</b> .....	<b>12</b>
<b>DISIMBALLAGGIO, RIMBALLAGGIO E TRASLOCO</b> .....	<b>12</b>
<b>NOME DEGLI ARTICOLI</b> .....	<b>13</b>
<b>INSTALLAZIONE</b> .....	<b>13</b>
<b>FUNZIONAMENTO</b> .....	<b>14</b>
<b>SBRINAMENTO</b> .....	<b>14</b>
<b>PULIZIA E MANUTENZIONE</b> .....	<b>14</b>
<b>ISTRUZIONI DI SICUREZZA</b> .....	<b>15</b>
<b>SPECIFICHE</b> .....	<b>16</b>
<b>SERVIZIO</b> .....	<b>17</b>
<b>VECCHI APPARECCHI</b> .....	<b>17</b>

## ISTRUZIONI DI SICUREZZA IMPORTANTI



**NOTA:** se il frigorifero/congelatore è stato collocato in posizione orizzontale o inclinata per un qualsiasi periodo di tempo, attendere 24 ore prima di collegare l'unità.

**Leggere attentamente le seguenti istruzioni prima di utilizzare il congelatore.**

- Questo apparecchio può essere utilizzato da bambini di età superiore agli 8 anni e da persone con ridotte capacità fisiche, sensoriali o mentali o con mancanza di esperienza e conoscenza, purché siano stati istruiti sull'uso sicuro dell'apparecchio e ne comprendano i rischi. I bambini non devono giocare con l'apparecchio. La pulizia e la manutenzione da parte dell'utente non devono essere effettuate dai bambini senza supervisione. I bambini di età compresa tra i 3 e gli 8 anni non sono autorizzati a caricare e scaricare gli apparecchi di refrigerazione.
- Se il cavo di alimentazione è danneggiato, deve essere sostituito dal produttore, dal suo agente di assistenza o da persone qualificate in modo simile, al fine di evitare pericoli.
- **AVVERTENZA:** mantenere libere da ostruzioni le aperture di ventilazione, nell'involucro dell'apparecchio o nella struttura incorporata.
- **AVVERTENZA:** non utilizzare dispositivi meccanici o altri mezzi per accelerare il processo di sbrinamento, diversi da quelli raccomandati dal produttore.
- **AVVERTENZA:** non danneggiare il circuito del refrigerante.
- **AVVERTENZA:** non utilizzare apparecchi elettrici all'interno dei vani di conservazione degli alimenti dell'apparecchio, a meno che non siano del tipo raccomandato dal produttore.
- Non conservare sostanze esplosive come bombolette aerosol con propellente infiammabile in questo apparecchio.



- **AVVERTENZA:** pericolo di incendio / materiali infiammabili
- **AVVERTENZA:** quando si posiziona l'apparecchio, assicurarsi che il cavo di alimentazione non sia intrappolato o danneggiato.
- **AVVERTENZA:** non posizionare prese multiple portatili o alimentatori portatili sul retro dell'apparecchio.
- Per evitare la contaminazione degli alimenti, rispettare le seguenti istruzioni:
  - L'apertura prolungata della porta può causare un aumento significativo della temperatura nei vani dell'apparecchio.
  - Pulire regolarmente le superfici che possono venire a contatto con gli alimenti e i sistemi di scarico accessibili.
  - Pulire i serbatoi dell'acqua se non sono stati utilizzati per 48 ore; sciacquare il sistema idrico collegato alla rete idrica se l'acqua non è stata prelevata per 5 giorni.

- Conservare la carne e il pesce crudi in contenitori adeguati nel frigorifero, in modo che non entrino in contatto con altri alimenti o gocciolino su di essi.
- I vani congelatore a due stelle sono adatti per conservare alimenti precongelati, conservare o preparare gelati e cubetti di ghiaccio.
- I vani a una, due e tre stelle non sono adatti per il congelamento di alimenti freschi.
- Se l'apparecchio di refrigerazione rimane vuoto per lunghi periodi, spegnerlo, sbrinarlo, pulirlo, asciugarlo e lasciare la porta aperta per evitare la formazione di muffa all'interno dell'apparecchio.
- Questo apparecchio di refrigerazione non è destinato ad essere utilizzato come apparecchio da incasso.
- Questo apparecchio di refrigerazione è destinato ad essere utilizzato a temperature ambiente comprese tra 16 °C e 38 °C.
- Il congelatore include 1 ripiano in filo metallico, basta inserirlo nell'apposito vano e il gioco è fatto.
- Come ridurre al minimo il consumo energetico dell'elettrodomestico durante l'uso?
  - Non inserire cibi caldi nel congelatore.
  - Non aprire e chiudere frequentemente lo sportello.
  - Non mettere troppi alimenti freschi nel congelatore in una sola volta.
  - Quando gli alimenti sono sufficientemente congelati, regolare il termostato su una posizione più bassa.
  - Assicurarsi che la porta si chiuda bene durante l'uso.
- Avvolgere tutti gli alimenti con una pellicola protettiva di plastica per evitare la disidratazione e la perdita di sapore. Se non si utilizza il congelatore per un lungo periodo di tempo, scollegare l'alimentazione, pulire le parti interne, riporre il congelatore in un luogo asciutto e lasciare la porta leggermente aperta.

## **GENERALE**

Questo congelatore è destinato all'uso domestico e in applicazioni simili, quali:

- cucine per il personale in negozi, uffici e altri ambienti di lavoro;
- agriturismi e da clienti in hotel, motel e altri ambienti di tipo residenziale;
- ambienti di tipo bed and breakfast;
- catering e applicazioni simili non al dettaglio.

## **DISIMBALLAGGIO, RIMBALLAGGIO E TRASLOCO**

### **1. DISIMBALLAGGIO**

È sufficiente tagliare la fascetta di imballaggio e tirare su il cartone.

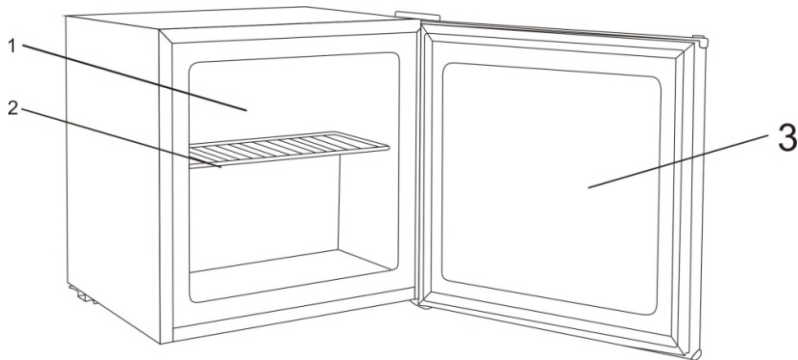
### **2. RIMBALLAGGIO**

Ricordatevi di mettere al loro posto i cuscinetti schiumati originali.

### **3. TRASLOCO**

Assicurarsi che il congelatore rimanga in posizione verticale durante lo spostamento. Non inclinarlo di oltre 45° rispetto alla posizione verticale. Non capovolgerlo mai. Non esercitare forza su alcuna parte esterna come tubi, condensatore, porta e maniglia per spostarlo. Il congelatore deve essere ben imballato e fissato durante il trasporto su lunghe distanze per evitare danni causati da urti e/o forti oscillazioni.

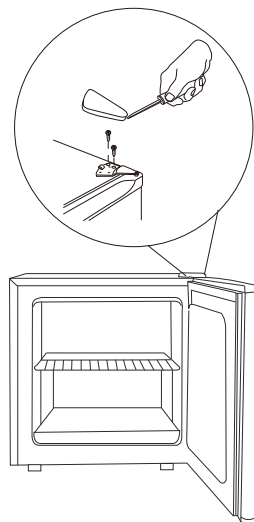
## NOME DEGLI ARTICOLI



1. Camera del congelatore
2. Ripiano del congelatore
3. Porta del congelatore

## INSTALLAZIONE

Il congelatore deve essere posizionato su una superficie piana e solida. Deve essere tenuto lontano dalla luce solare, da fonti di calore, da luoghi umidi o sporchi. Il congelatore deve essere tenuto lontano dalla parete per garantire uno spazio adeguato per una buona circolazione dell'aria. Quando il congelatore è collocato in un armadio, la parte posteriore dell'armadio deve essere rimossa per garantire una buona circolazione.



## ALLINEAMENTO DELLA PORTA

1. Rimuovere il coperchio della cerniera superiore utilizzando un cacciavite a testa piatta. Sollevare delicatamente dalla parte posteriore della cerniera e farla scorrere in avanti.
2. Allentare le viti della cerniera superiore utilizzando un cacciavite a croce.
3. Regolare la porta o inserire un distanziatore tra le due parti, quindi serrare le viti.
4. Riposizionare il coperchio della cerniera superiore allineando la parte posteriore del coperchio con la parte posteriore della cerniera. Premere con forza sulla parte anteriore del coperchio fino a quando non scatta in posizione.

## FUNZIONAMENTO

1. Prima di collegare il congelatore alla presa di corrente, verificare quanto segue:

- Tutti i cavi elettrici non devono essere danneggiati.
- La vite di messa a terra deve essere ben fissata.
- La presa a muro deve essere correttamente collegata a terra.

Assicurarsi che tutto sia in condizioni normali e che il congelatore possa essere collegato alla presa di corrente.

2. Quando si mette in funzione per la prima volta

Quando il funzionamento è normale e il congelatore è senza carico, attendere che si arresti automaticamente alla temperatura desiderata, solitamente dopo 2 o 3 ore. Quindi impostare il termostato sulla temperatura desiderata e inserire gli alimenti.

3. Controllo della temperatura

La temperatura del congelatore può essere regolata ruotando la manopola del termostato situata sul retro dell'unità. Più la manopola è vicina alla posizione "5", più la temperatura diventa bassa. Un'impostazione media è la più adatta per il funzionamento generale. La posizione '5' è più fredda della posizione "1".

La temperatura del congelatore varia a seconda della quantità di alimenti conservati e della frequenza di apertura della porta. Per mantenere una buona efficienza di raffreddamento e risparmiare energia, si consiglia di non conservare troppi alimenti e di non aprire la porta troppo frequentemente. È possibile ruotare la manopola su "0" per arrestare il funzionamento dell'unità.

**ATTENZIONE:** Quando il termostato è stato ruotato in senso orario sulla posizione "5", non tentare di ruotarlo ulteriormente. In caso contrario, potrebbe danneggiarsi.

## SBRINAMENTO

Per un funzionamento più efficiente e un consumo energetico minimo, sbrinare il congelatore quando lo strato di brina sull'evaporatore è eccessivo (3-4 mm di spessore). Per avviare lo sbrinamento, impostare il controllo della temperatura su "0", scollegare il congelatore, rimuovere gli alimenti e i cassetti. Dopo che la brina o il ghiaccio si sono sciolti, eliminare l'acqua sciolta e asciugare l'interno del congelatore. Quindi è possibile riavviare il congelatore impostando il termostato sulla temperatura desiderata.

**ATTENZIONE:** Non utilizzare mai strumenti metallici affilati (ad es. coltelli) per rimuovere il ghiaccio dall'evaporatore, poiché ciò potrebbe danneggiarlo. Un evaporatore forato può causare gravi problemi.

## PULIZIA E MANUTENZIONE

1. Per pulire il congelatore, scollegare l'alimentazione elettrica e rimuovere gli alimenti, i cassetti, ecc. Utilizzare una soluzione composta da 2 cucchiaini di bicarbonato di sodio per litro di acqua calda per pulire l'interno. Quindi pulire con acqua fresca. Non utilizzare mai acidi, diluenti chimici, benzina, benzene o simili per pulire qualsiasi parte del congelatore. Non utilizzare mai acqua oleosa e benzene per pulire le parti in plastica, poiché potrebbero deformarsi o danneggiarsi.

2. Una quantità eccessiva di alimenti o un contenitore troppo grande nel congelatore comprometteranno la circolazione dell'aria fredda, pertanto è necessario lasciare dello spazio libero. Si consiglia di riempire il congelatore per circa il 70% della sua capacità. Non conservare nel congelatore materiali volatili ed esplosivi quali eteri, benzina, gas di petrolio liquefatto, adesivi ecc. In caso contrario, sussiste il pericolo di esplosione causata da scintille elettriche.

## ISTRUZIONI DI SICUREZZA

Prima di collegare il congelatore alla presa di corrente, verificare che l'alimentazione elettrica della propria abitazione sia conforme ai valori nominali (tensione, frequenza) del congelatore, riportati solitamente sulla targhetta situata sul retro dell'apparecchio. Il congelatore deve essere sempre collegato a una presa di corrente dedicata, per evitare sovraccarichi che potrebbero causare un incendio a causa del surriscaldamento dei cavi. Non spruzzare acqua sul congelatore, poiché ciò potrebbe causare perdite elettriche o guasti. Se il cavo di alimentazione è danneggiato, rivolgersi immediatamente a un elettricista per sostituirlo. Il congelatore deve essere correttamente collegato a terra.

- La nostra azienda non è responsabile di eventuali incidenti causati da una messa a terra non corretta o da un funzionamento improprio.
- Eventuali riparazioni e interventi sull'apparecchio devono essere eseguiti esclusivamente dal servizio di assistenza clienti, poiché gli interventi non autorizzati potrebbero rivelarsi molto pericolosi per l'utente.
- Non immagazzinare esplosivi o spray che utilizzano propellenti combustibili come butano, propano, pentano ecc.
- Nell'apparecchio, i componenti elettrici potrebbero causare l'accensione del gas fuoriuscito. Tali spray possono essere identificati dal contenuto stampato o dal simbolo della fiamma.
- Non lasciare che fiamme libere o fonti di accensione entrino nell'apparecchio.
- Non utilizzare pulitori a vapore per lo sbrinamento e la pulizia.
- Non utilizzare dispositivi meccanici o altri mezzi per accelerare il processo di sbrinamento, se non quelli raccomandati dal produttore.
- Non danneggiare il circuito del refrigerante.
- Non utilizzare apparecchi elettrici all'interno dei vani di conservazione degli alimenti dell'apparecchio, a meno che non siano del tipo raccomandato dal produttore.
- Non conservare in questo apparecchio sostanze esplosive come bombolette spray con propellente infiammabile.
- Se il cavo di alimentazione è danneggiato, deve essere sostituito dal produttore, dal suo agente di assistenza o da persone analogamente qualificate, al fine di evitare un pericolo.
- Smaltire l'apparecchio secondo le norme locali sui gas di combustione.
- Prima di sostituire la lampada, staccare la spina del frigorifero. Utilizzare la lampada adatta.

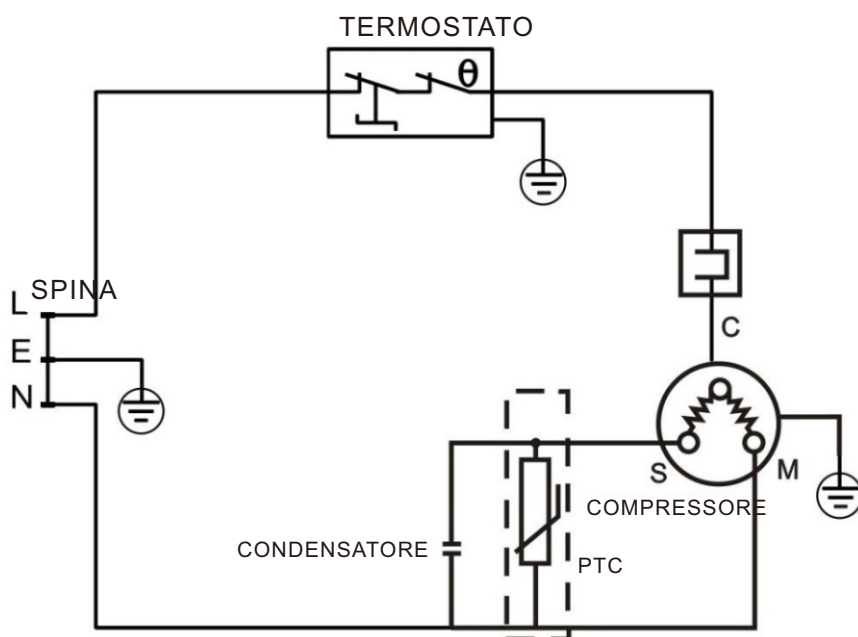
- L'apparecchio deve essere posizionato in modo che la spina sia accessibile.  
Mantenere libere le aperture di ventilazione nell'involucro dell'apparecchio o nella struttura incorporata.

## SPECIFICHE

### PARAMETRO ELETTRICO

Modello	800-127V90_800-127V91
Tensione nominale	220-240V~
Frequenza nominale	50Hz
Corrente di raffreddamento nominale	0,7A
Classe di protezione	I
Classe climatica	N,ST
Refrigerante	R600a/24g
Soffio di gas	C <sub>5</sub> H <sub>10</sub>
Volume di stoccaggio nominale	35L
Capacità di congelamento nominale	2.5kg/24h
Consumo energetico nominale	0.48kWh/24h
Peso netto	14,5kg

### SCHEMA DEL CIRCUITO



**Nota: le specifiche sono soggette a modifiche senza preavviso.**

## SERVIZIO

Se il frigorifero non funziona correttamente, verificare che:

1. Quando il frigorifero non funziona:

- La spina di alimentazione è inserita saldamente nella presa di corrente.
- L'interruttore di rete è spento.
- Il fusibile non è bruciato.

2. Quando il frigorifero non si raffredda abbastanza:

- Il termostato è impostato correttamente, le aperture della porta sono troppo frequenti e troppo lunghe.

3. Quando gli alimenti sono congelati:

- Il termostato è impostato correttamente.

4. Quando il frigorifero funziona in modo troppo rumoroso:

- Il frigorifero non è in contatto con mobili che possono trasmettere o amplificare un rumore o una vibrazione.
- Il frigorifero è correttamente livellato.
- I contenitori o le confezioni solide conservate all'interno non si toccano tra loro.
- L'alimentazione di rete è stabile.

Se il frigorifero non funziona ancora correttamente dopo aver effettuato i controlli di cui sopra, contattare immediatamente il rivenditore.

**Nota: durante il periodo di elevata umidità, all'esterno del frigorifero potrebbe formarsi dell'umidità, il che non è insolito. È sufficiente pulirla da soli.**

## VECCHI APPARECCHI

Il mobile dell'apparecchio è formato da ciclopentano. L'apparecchio vecchio contiene materiali nocivi e deve essere smaltito con i rifiuti solidi urbani.



1. Rimuovere il fermo a molla o il bullone dall'apparecchio o renderlo inutilizzabile in modo che i bambini non possano rimanere intrappolati all'interno e soffocare.
2. Assicurarsi che il circuito del refrigerante non sia danneggiato prima di smaltire l'apparecchio non più necessario. In questo modo il refrigerante non si disperderà nell'ambiente.

Le informazioni relative al refrigerante e ai materiali isolanti utilizzati sono riportate sulla targhetta e sulle istruzioni per lo smaltimento dell'apparecchio.

Per informazioni sulle date o sui punti di raccolta, rivolgersi alle autorità preposte allo smaltimento dei rifiuti o al comune di residenza.

# CONTENIDO

<b>INSTRUCCIONES DE SEGURIDAD IMPORTANTES</b> .....	<b>19</b>
<b>GENERAL</b> .....	<b>20</b>
<b>DESEMBALAJE, REEMBALAJE Y MUDANZA</b> .....	<b>20</b>
<b>NOMBRE DE LOS ARTÍCULOS</b> .....	<b>21</b>
<b>INSTALACIÓN</b> .....	<b>21</b>
<b>OPERACIÓN</b> .....	<b>22</b>
<b>DESCONGELACIÓN</b> .....	<b>22</b>
<b>LIMPIEZA Y MANTENIMIENTO</b> .....	<b>23</b>
<b>INSTRUCCIONES DE SEGURIDAD</b> .....	<b>23</b>
<b>ESPECIFICACIONES</b> .....	<b>24</b>
<b>SERVICIO</b> .....	<b>25</b>
<b>ELECTRODOMÉSTICOS ANTIGUOS</b> .....	<b>26</b>

## INSTRUCCIONES DE SEGURIDAD IMPORTANTES



**NOTA:** Si el frigorífico/congelador ha estado colocado en posición horizontal o inclinado durante algún tiempo, espere 24 horas antes de enchufar la unidad.

**Lea atentamente las siguientes instrucciones antes de utilizar el congelador.**

- Este aparato puede ser utilizado por niños a partir de 8 años y por personas con capacidades físicas, sensoriales o mentales reducidas o con falta de experiencia y conocimientos, siempre que hayan recibido supervisión o instrucciones sobre el uso seguro del aparato y comprendan los riesgos que conlleva. Los niños no deben jugar con el aparato. La limpieza y el mantenimiento por parte del usuario no deben ser realizados por niños sin supervisión. Los niños de entre 3 y 8 años no deben cargar ni descargar aparatos de refrigeración.
- Si el cable de alimentación está dañado, debe ser sustituido por el fabricante, su agente de servicio o personas igualmente cualificadas para evitar cualquier peligro.
- **ADVERTENCIA:** Mantenga despejadas las aberturas de ventilación, tanto en la carcasa del aparato como en la estructura empotrada.
- **ADVERTENCIA:** No utilice dispositivos mecánicos u otros medios para acelerar el proceso de descongelación, salvo los recomendados por el fabricante.
- **ADVERTENCIA:** No dañe el circuito refrigerante.
- **ADVERTENCIA:** No utilice aparatos eléctricos dentro de los compartimentos de almacenamiento de alimentos del aparato, a menos que sean del tipo recomendado por el fabricante.
- No almacene sustancias explosivas, como latas de aerosol con propelentes inflamables, en este aparato.



- **ADVERTENCIA:** Riesgo de incendio / Materiales inflamables
- **ADVERTENCIA:** Al colocar el aparato, asegúrese de que el cable de alimentación no quede atrapado ni dañado.
- **ADVERTENCIA:** No coloque múltiples enchufes portátiles o fuentes de alimentación portátiles en la parte trasera del aparato.
- Para evitar la contaminación de los alimentos, respete las siguientes instrucciones:
  - Mantener la puerta abierta durante largos periodos de tiempo puede provocar un aumento significativo de la temperatura en los compartimentos del aparato.
  - Limpie regularmente las superficies que puedan entrar en contacto con los alimentos y los sistemas de drenaje accesibles.
  - Limpie los depósitos de agua si no se han utilizado durante 48 horas; purgue el sistema de agua conectado al suministro de agua si no se ha utilizado durante 5 días.

- Guarde la carne y el pescado crudos en recipientes adecuados en el frigorífico, de modo que no entren en contacto con otros alimentos ni goteen sobre ellos.
- Los compartimentos para alimentos congelados de dos estrellas son adecuados para almacenar alimentos precongelados, almacenar o preparar helados y hacer cubitos de hielo.
- Los compartimentos de una, dos y tres estrellas no son adecuados para congelar alimentos frescos.
- Si el aparato de refrigeración se deja vacío durante largos periodos de tiempo, apáguelo, descongélelo, límpielo, séquelo y deje la puerta abierta para evitar que se forme moho en su interior.
- Este aparato de refrigeración no está diseñado para ser utilizado como aparato empotrado.
- Este aparato de refrigeración está diseñado para ser utilizado a temperaturas ambiente comprendidas entre 16 °C y 38 °C.
- El congelador incluye 1 rejilla metálica, solo tiene que colocarla en el armario según corresponda y ya estará listo.
- ¿Cómo minimizar el consumo energético del electrodoméstico durante su uso?
  - No introduzca alimentos calientes en el congelador.
  - No abra y cierre la puerta con frecuencia.
  - No introduzca demasiados alimentos frescos en el congelador de una sola vez.
  - Cuando los alimentos estén lo suficientemente congelados, ajuste el termostato a una temperatura más baja.
  - Asegúrese de que la puerta cierre bien cuando lo utilice.
- Envuelva todos los alimentos con una película protectora de plástico para evitar que se deshidraten y pierdan su sabor. Si no va a utilizar el congelador durante un periodo prolongado, desconéctelo de la corriente, limpie el interior, colóquelo en un lugar seco y deje la puerta ligeramente abierta.

## **GENERAL**

Este congelador está diseñado para su uso doméstico y en aplicaciones similares, tales como:

- cocinas para el personal en tiendas, oficinas y otros entornos de trabajo;
- casas rurales y por clientes en hoteles, moteles y otros entornos de tipo residencial;
- entornos de tipo bed and breakfast;
- catering y aplicaciones similares no minoristas.

## **DESEMBALAJE, REEMBALAJE Y MUDANZA**

### **1. DESEMBALAJE**

Basta con cortar la banda de embalaje y tirar de la caja hacia arriba.

## 2. REEMBALAJE

No olvide colocar las almohadillas de espuma originales.

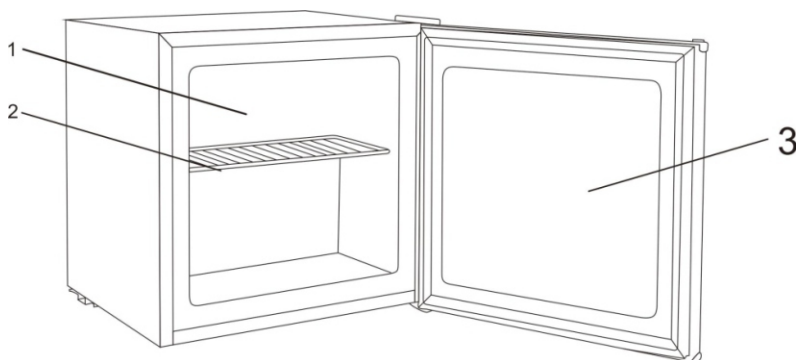
## 3. MUDANZA

Asegúrese de que el congelador permanezca en posición vertical durante su traslado.

No lo incline más de 45° con respecto a la posición vertical. Nunca lo vuelque.

No ejerza fuerza sobre ninguna parte externa, como tuberías, condensadores, puertas y manijas, para moverlo. El congelador debe estar bien embalado y asegurado en el transporte de larga distancia para evitar daños por golpes o sacudidas fuertes.

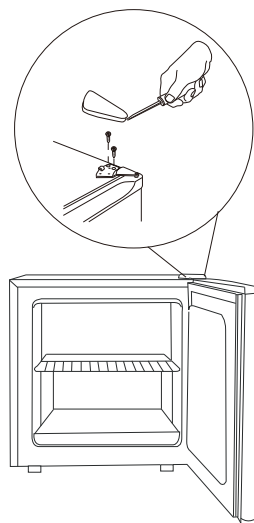
## NOMBRE DE LOS ARTÍCULOS



1. Cámara del congelador.
2. Estante del congelador.
3. Puerta del congelador.

## INSTALACIÓN

El congelador debe colocarse sobre una superficie plana y sólida. Debe mantenerse alejado de la luz solar, fuentes de calor, lugares húmedos o desordenados. El congelador debe mantenerse alejado de la pared para que haya un espacio adecuado para una buena circulación del aire. Cuando el congelador se coloca en un armario, se debe retirar la parte trasera del armario para una buena circulación.



## ALINEACIÓN DE LA PUERTA

1. Retire la cubierta de la bisagra superior con un destornillador plano. Levántela suavemente desde la parte trasera de la bisagra y deslícela hacia delante.

2. Afloje los tornillos de la bisagra superior con un destornillador Phillips.
3. Ajuste la puerta o coloque un espaciador entre ambos y, a continuación, apriete los tornillos.
4. Vuelva a colocar la cubierta de la bisagra superior alineando la parte trasera de la cubierta con la parte trasera de la bisagra. Presione firmemente la parte delantera de la cubierta hasta que encaje en su sitio.

## OPERACIÓN

1. Antes de enchufar el congelador, compruebe lo siguiente:

- No debe haber ningún daño en los cables eléctricos.
- El tornillo de conexión a tierra debe estar bien fijado.
- La toma de corriente debe estar correctamente conectada a tierra.

Asegúrese de que todo está en condiciones normales y que el congelador se puede enchufar.

2. Cuando se pone en funcionamiento por primera vez.

Cuando el funcionamiento es normal y el congelador no tiene ninguna carga hasta que se detiene automáticamente a la temperatura deseada, suele tardar entre 2 y 3 horas. A continuación, ajuste el termostato a la configuración requerida y coloque los alimentos en su interior.

3. Control de la temperatura

La temperatura del congelador se puede ajustar girando la perilla del termostato que se encuentra en la parte posterior de la unidad. Cuanto más cerca esté la perilla de la posición «5», más baja será la temperatura. Un ajuste medio es el más adecuado para el funcionamiento general. La posición «5» es más fría que la posición «1».

La temperatura del congelador variará en función de la cantidad de alimentos almacenados y la frecuencia con la que se abra la puerta. Para mantener una buena eficiencia de refrigeración y ahorrar energía, le recomendamos que no almacene demasiados alimentos y que no abra la puerta con demasiada frecuencia. Si gira la perilla hasta la posición «0», la unidad dejará de funcionar.

**PRECAUCIÓN:** Cuando el termostato se haya girado en sentido horario hasta la posición «5», no intente girarlo más. De lo contrario, se dañará.

## DESCONGELACIÓN

Para un funcionamiento más eficiente y un consumo mínimo de energía, descongele el congelador cuando la escarcha del evaporador tenga un grosor excesivo de 3 a 4 mm. Para iniciar la descongelación, gire el control de temperatura a «0», desenchufe el congelador, retire los alimentos y los cajones. Una vez que se haya derretido la escarcha o el hielo, deseche el agua derretida y seque el interior del congelador. A continuación, el congelador se puede volver a poner en marcha girando el termostato a la posición deseada.

**PRECAUCIÓN:** Nunca utilice instrumentos metálicos afilados (por ejemplo, cuchillos) para eliminar la escarcha o el hielo del evaporador, ya que esto lo dañaría. Un evaporador perforado causará graves problemas.

## LIMPIEZA Y MANTENIMIENTO

1. Para limpiar el congelador, desconecte la fuente de alimentación y retire los alimentos, los cajones, etc. Utilice una solución mezclada con 2 cucharadas de bicarbonato sódico por litro de agua tibia para limpiar el interior. A continuación, límpielo con agua limpia. Nunca utilice ácidos, disolventes químicos, gasolina, benceno o similares para limpiar ninguna parte del congelador. Nunca utilice agua con aceite ni benceno para limpiar las piezas de plástico, ya que pueden deformarse o dañarse.
2. Demasiados alimentos o un recipiente demasiado grande en el congelador afectarán a la circulación del aire frío, por lo que se debe dejar algo de espacio libre. Se recomienda cargar aproximadamente el 70 % del volumen de almacenamiento. No almacene materiales volátiles o explosivos como éteres, gasolina, gas licuado de petróleo, adhesivos, etc. en el frigorífico. De lo contrario, existirá peligro de explosión causada por chispas eléctricas.

## INSTRUCCIONES DE SEGURIDAD

Antes de enchufar el congelador, compruebe que el suministro eléctrico de su hogar cumple con los requisitos (voltaje, frecuencia) del congelador. La placa de características suele encontrarse en la parte posterior del congelador. El congelador debe enchufarse siempre a una toma de corriente independiente para evitar sobrecargas, que podrían provocar un incendio por sobrecalentamiento de los cables. No salpique agua sobre el congelador, ya que esto provocaría fugas eléctricas o averías. Si el cable de alimentación se daña, pida a un electricista que lo sustituya inmediatamente. El congelador debe estar correctamente conectado a tierra.

- Nuestra corporación no se hace responsable de ningún accidente causado por una conexión a tierra inadecuada o un funcionamiento incorrecto.
- Las reparaciones y trabajos en el aparato sólo deben ser realizados por el servicio de atención al cliente, ya que los trabajos no autorizados podrían resultar muy peligrosos para el usuario.
- No almacene explosivos ni aerosoles que utilicen propelentes combustibles como butano, propano, pentano, etc.
- En el aparato, los componentes eléctricos podrían provocar la ignición del gas fugado. Puede identificar este tipo de aerosoles por el contenido impreso o por el símbolo de una llama.
- No permita que entren llamas desnudas o fuentes de ignición en el aparato.
- No utilice limpiadores de vapor para descongelar y limpiar.
- No utilice dispositivos mecánicos u otros medios para acelerar el proceso de descongelación que no sean los recomendados por el fabricante.
- No dañar el circuito refrigerante.

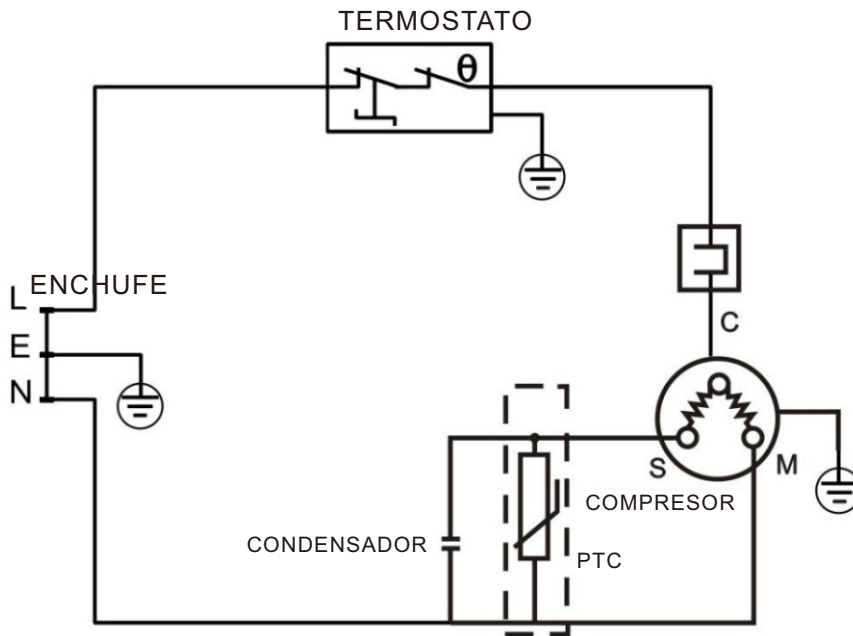
- No utilice aparatos eléctricos dentro de los compartimientos de almacenamiento de alimentos del aparato, a menos que sean del tipo recomendado por el fabricante.
- No almacene sustancias explosivas, como latas de aerosol con propelente inflamable, en este aparato.
- Si el cable de alimentación está dañado, debe ser sustituido por el fabricante, su agente de servicio o personas con cualificación similar con el fin de evitar un peligro.
- Elimine el aparato de acuerdo con la normativa local sobre gases inflamables.
- Desenchufe el frigorífico antes de cambiar la lámpara. Utilice la lámpara adecuada.
- El aparato debe colocarse de forma que el enchufe sea accesible. Mantenga las aberturas de ventilación, en la caja del aparato o en la estructura incorporada, libres de obstrucciones.

## ESPECIFICACIONES

### PARÁMETRO ELÉCTRICO

Modelo	800-127V90_800-127V91
Tensión nominal	220-240V~
Frecuencia nominal	50Hz
Corriente nominal de refrigeración	0,7A
Clase de protección	I
Clase climática	N,ST
Refrigerante	R600a/24g
Soplado de gas	C <sub>5</sub> H <sub>10</sub>
Volumen de almacenamiento nominal	35L
Capacidad de congelación nominal	2.5kg/24h
Consumo energético nominal	0.48kWh/24h
Peso neto	14,5kg

## ESQUEMA DE LOS CIRCUITOS



**Nota: Especificaciones sujetas a cambios sin previo aviso.**

## SERVICIO

Si el refrigerador no funciona correctamente, compruébelo:

1. Cuando el refrigerador no funciona:

- El enchufe está bien colocado en la toma de corriente.
- El interruptor de alimentación está apagado.
- El fusible no está fundido.

2. Cuando el refrigerador no enfría lo suficiente:

- El termostato está en el ajuste correcto, hay aperturas de puerta demasiado frecuentes y largas.

3. Cuando los alimentos están congelados:

- El termostato está en la posición correcta.

4. Cuando el refrigerador funciona de forma demasiado ruidosa:

- El refrigerador no está en contacto con muebles que puedan transmitir o amplificar un ruido o una vibración.
- El refrigerador está correctamente nivelado.
- Los recipientes o envases sólidos almacenados en su interior no se tocan entre sí.
- La red eléctrica es estable.

Si su refrigerador sigue sin funcionar correctamente después de realizar las comprobaciones anteriores, póngase en contacto inmediatamente con el distribuidor.

**Nota: Durante el período de alta humedad, puede formarse humedad en el exterior del refrigerador, no es inusual. Puede limpiarla usted mismo.**

## ELECTRODOMÉSTICOS ANTIGUOS

La carcasa del aparato está formada por ciclopentano. El aparato viejo contiene materiales nocivos y debe desecharse con la basura a granel.



1. Retire el cierre de resorte o pestillo del aparato o inutilícelo para que los niños no puedan quedar atrapados en su interior y asfixiarse.
2. Asegúrese de que el circuito de refrigerante no esté dañado antes de retirar el aparato que ya no necesita para su eliminación. De este modo, el refrigerante no escapará al medio ambiente.

Encontrará información sobre el refrigerante y los materiales aislantes utilizados en la placa de características y en las instrucciones de eliminación del aparato.

Puede obtener información sobre fechas o puntos de recogida en las autoridades de eliminación de residuos o en su ayuntamiento.

# CONTENTS

<b>INSTRUÇÕES DE SEGURANÇA IMPORTANTES</b> .....	<b>28</b>
<b>GERAL</b> .....	<b>29</b>
<b>DESEMPACOTAMENTO, REEMPACOTAMENTO E MUDANÇ</b> .....	<b>29</b>
<b>NOME DOS ARTIGOS</b> .....	<b>30</b>
<b>INSTALAÇÃO</b> .....	<b>30</b>
<b>FUNCIONAMENTO</b> .....	<b>31</b>
<b>DESCONGELAMENTO</b> .....	<b>31</b>
<b>LIMPEZA E MANUTENÇÃO</b> .....	<b>32</b>
<b>INSTRUÇÕES DE SEGURANÇA</b> .....	<b>32</b>
<b>ESPECIFICAÇÕES</b> .....	<b>33</b>
<b>SERVIÇO</b> .....	<b>34</b>
<b>APARELHOS ANTIGOS</b> .....	<b>35</b>

## INSTRUÇÕES DE SEGURANÇA IMPORTANTES



**NOTA:** Se o frigorífico/congelador tiver sido colocado na posição horizontal ou inclinada durante algum período de tempo, aguarde 24 horas antes de ligar a unidade.

**Leia atentamente as instruções a seguir antes de usar o seu congelador.**

- Este aparelho pode ser utilizado por crianças com idade igual ou superior a 8 anos e por pessoas com capacidades físicas, sensoriais ou mentais reduzidas ou com falta de experiência e conhecimento, desde que tenham recebido supervisão ou instruções sobre a utilização segura do aparelho e compreendam os riscos envolvidos. As crianças não devem brincar com o aparelho. A limpeza e a manutenção pelo utilizador não devem ser realizadas por crianças sem supervisão. As crianças com idades compreendidas entre os 3 e os 8 anos não estão autorizadas a carregar e descarregar aparelhos de refrigeração.
- Se o cabo de alimentação estiver danificado, deve ser substituído pelo fabricante, pelo seu agente de assistência ou por pessoas com qualificações semelhantes, a fim de evitar riscos.
- **ADVERTÊNCIA:** Mantenha as aberturas de ventilação, no invólucro do aparelho ou na estrutura embutida, livres de obstruções.
- **ADVERTÊNCIA:** Não utilize dispositivos mecânicos ou outros meios para acelerar o processo de descongelamento, além dos recomendados pelo fabricante.
- **ADVERTÊNCIA:** Não danifique o circuito de refrigeração.
- **ADVERTÊNCIA:** Não utilize aparelhos elétricos dentro dos compartimentos de armazenamento de alimentos do aparelho, a menos que sejam do tipo recomendado pelo fabricante.
- Não armazene substâncias explosivas, tais como latas de aerossol com propulsor inflamável, neste aparelho.



- **ADVERTÊNCIA:** Risco de incêndio / Materiais inflamáveis
- **ADVERTÊNCIA:** Ao posicionar o aparelho, certifique-se de que o cabo de alimentação não fica preso ou danificado.
- **ADVERTÊNCIA:** Não coloque várias tomadas portáteis ou fontes de alimentação portáteis na parte traseira do aparelho.
- Para evitar a contaminação dos alimentos, respeite as seguintes instruções:
  - Abrir a porta por longos períodos pode causar um aumento significativo da temperatura nos compartimentos do aparelho.
  - Limpe regularmente as superfícies que podem entrar em contacto com alimentos e os sistemas de drenagem acessíveis.
  - Limpe os depósitos de água se não tiverem sido utilizados durante 48 horas; lave o sistema de água ligado a uma fonte de abastecimento se a água não tiver sido

utilizada durante 5 dias.

- Guarde a carne e o peixe crus em recipientes adequados no frigorífico, para que não entrem em contacto com outros alimentos nem pingem sobre eles.
- Os compartimentos para alimentos congelados de duas estrelas são adequados para armazenar alimentos pré-congelados, armazenar ou fazer gelados e fazer cubos de gelo.
- Os compartimentos de uma, duas e três estrelas não são adequados para congelar alimentos frescos.
- Se o aparelho de refrigeração ficar vazio por longos períodos, desligue-o, descongele-o, limpe-o, seque-o e deixe a porta aberta para evitar o desenvolvimento de bolor no interior do aparelho.
- Este aparelho de refrigeração não se destina a ser utilizado como aparelho embutido.
- Este aparelho de refrigeração destina-se a ser utilizado a temperaturas ambientes entre 16 °C e 38 °C.
- O congelador inclui 1 prateleira de arame, basta colocá-la no armário de acordo com as instruções e está tudo bem.
- Como minimizar o consumo de energia do eletrodoméstico durante a fase de uso?
  - Não coloque alimentos quentes dentro do congelador.
  - Não abra e feche a porta com frequência.
  - Não coloque demasiados alimentos frescos no congelador de uma só vez.
  - Quando os alimentos estiverem suficientemente congelados, ajuste o termóstato para uma temperatura mais baixa.
  - Certifique-se de que a porta fecha bem quando estiver a utilizar o congelador.
- Embrulhe todos os alimentos com uma película protetora de plástico para evitar a desidratação e a perda do sabor dos alimentos. Se não utilizar o congelador durante um longo período de tempo, desligue-o da corrente, limpe as partes internas, coloque-o num local seco e deixe a porta ligeiramente aberta.

## GERAL

Este congelador destina-se a ser utilizado em aplicações domésticas e similares, tais como:

- cozinhas para funcionários em lojas, escritórios e outros ambientes de trabalho;
- casas de fazenda e por clientes em hotéis, motéis e outros ambientes residenciais;
- ambientes do tipo pousada;
- catering e aplicações similares não relacionadas com o retalho.

## DESEMPACOTAMENTO, REEMPACOTAMENTO E MUDANÇA

### 1. DESEMPACOTAMENTO

Basta cortar a fita de embalagem e puxar a caixa de cartão para cima.

## 2. REEMPACOTAMENTO

Não se esqueça de colocar as almofadas de espuma originais no sítio.

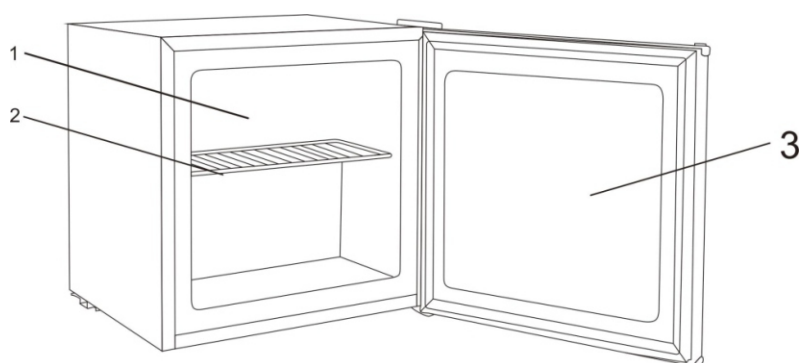
## 3. MUDANÇA

Asegúrese de que el congelador permanezca en posición vertical durante su traslado.

No lo incline más de 45° con respecto a la posición vertical. Nunca lo vuelque.

No ejerza fuerza sobre ninguna parte externa, como tuberías, condensadores, puertas y manijas, para moverlo. El congelador debe estar bien embalado y asegurado en el transporte de larga distancia para evitar daños por golpes o sacudidas fuertes.

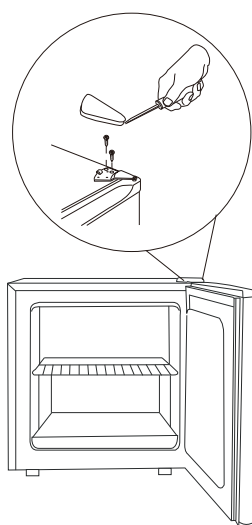
## NOME DOS ARTIGOS



1. Câmara do congelador
2. Prateleira do congelador
3. Porta do congelador

## INSTALAÇÃO

O congelador deve ser colocado sobre uma superfície plana e sólida. Deve ser mantido longe da luz solar, fontes de calor, locais húmidos ou sujos. O congelador deve ser mantido afastado da parede para permitir uma boa circulação de ar. Quando o congelador é colocado num armário, a parte traseira do armário deve ser removida para permitir uma boa circulação.



## ALINHAMENTO DA PORTA

1. Remova a tampa da dobradiça superior usando uma chave de fendas plana. Levante suavemente a parte traseira da dobradiça e deslize para a frente.
2. Desaperte os parafusos da dobradiça superior usando uma chave de fendas Phillips.

3. Ajuste a porta ou coloque um espaçador entre elas e, em seguida, aperte os parafusos.
4. Recoloque a tampa da dobradiça superior, alinhando a parte traseira da tampa com a parte traseira da dobradiça. Pressione firmemente a parte frontal da tampa até que ela encaixe no lugar.

## FUNCIONAMENTO

1. Antes de ligar o congelador, verifique o seguinte:

- Não deve haver nenhum dano em todos os fios elétricos.
- O parafuso de ligação à terra deve estar bem fixo.
- A tomada de parede deve estar devidamente ligada à terra.

Certifique-se de que tudo está em condições normais e que o frigorífico pode ser ligado à corrente.

2. Quando estiver a funcionar pela primeira vez

Quando o funcionamento estiver em condições normais e o congelador sem qualquer carga até parar automaticamente na temperatura desejada, normalmente demora 2 ou 3 horas. Em seguida, ajuste o termóstato para a configuração necessária e coloque os alimentos no interior.

3. Controlo da temperatura

A temperatura do congelador pode ser ajustada girando o botão do termostato na parte traseira da unidade. Quanto mais próximo da posição “5” o botão estiver, mais baixa será a temperatura. Uma configuração média é a mais adequada para o funcionamento geral. A posição ‘5’ é mais fria do que a posição “1”.

A temperatura do congelador irá variar dependendo da quantidade de alimentos armazenados e da frequência de abertura da porta. Para manter uma boa eficiência de refrigeração e economizar energia, recomendamos que não armazene demasiados alimentos e não abra a porta com demasiada frequência. Pode rodar para «0» e a unidade irá parar de funcionar.

**CUIDADO:** Quando o termóstato tiver sido rodado no sentido horário para a posição «5», não tente rodá-lo mais. Caso contrário, poderá danificá-lo.

## DESCONGELAMENTO

Para um funcionamento mais eficiente e um consumo mínimo de energia, descongele o congelador quando o gelo no evaporador for excessivo, com 3 a 4 mm de espessura. Para iniciar a descongelação, coloque o controlo de temperatura em “0”, desligue o congelador da tomada, retire os alimentos e as gavetas. Depois de o gelo ter derretido, deite fora a água derretida e seque o interior do congelador. Em seguida, o congelador pode ser reiniciado, colocando o termóstato na configuração desejada.

**CUIDADO:** Nunca use instrumentos metálicos afiados (por exemplo, facas) para remover o gelo do evaporador, pois isso danificará o evaporador. Um evaporador perfurado causará sérios problemas.

## LIMPEZA E MANUTENÇÃO

1. Para limpar o congelador, desligue a fonte de alimentação e remova os alimentos, gavetas, etc. Use uma solução misturada com 2 colheres de bicarbonato de sódio por litro de água morna para limpar o interior. Em seguida, limpe com água limpa. Nunca use ácidos, diluentes químicos, gasolina, benzeno ou similares para limpar qualquer parte do congelador. Nunca use água com óleo e benzeno para limpar peças de plástico, pois podem deformar ou danificar as peças de plástico.
2. O excesso de alimentos ou recipientes muito grandes no congelador afetará a circulação do ar frio, por isso deve ser deixado algum espaço livre. Recomenda-se que cerca de 70% do volume de armazenamento seja carregado. Não armazene materiais voláteis e/ou explosivos, tais como éteres, gasolina, gás de petróleo liquefeito, adesivos, etc., no frigorífico. Caso contrário, haverá risco de explosão causada por faíscas elétricas.

## INSTRUÇÕES DE SEGURANÇA

Antes de ligar o congelador, verifique se a alimentação elétrica da sua casa está em conformidade com a classificação (tensão, frequência) do congelador. A placa de classificação encontra-se normalmente na parte de trás do congelador. O congelador deve estar sempre ligado à sua própria tomada elétrica individual para evitar sobrecargas, que podem causar um risco de incêndio devido ao sobreaquecimento dos fios. Não salpique água no congelador, pois isso causará fuga elétrica ou avaria. Se o cabo de alimentação estiver danificado, peça a um eletricista para substituí-lo imediatamente. O congelador deve estar devidamente ligado à terra.

- A nossa empresa não se responsabiliza por qualquer acidente causado por uma ligação à terra incorrecta ou por um funcionamento incorrecto.
- As reparações e intervenções no aparelho só devem ser efectuadas pelo serviço de apoio ao cliente, pois as intervenções não autorizadas podem ser muito perigosas para o utilizador.
- Não armazenar explosivos ou sprays que utilizem propulsores combustíveis, tais como butano, propano, pentano, etc.
- No aparelho, os componentes eléctricos podem provocar a ignição do gás em fuga. Estes sprays podem ser identificados pelo conteúdo impresso ou por um símbolo de chama.
- Não permitir a entrada de chamas nuas ou de fontes de ignição no aparelho.
- Não utilizar aparelhos de limpeza a vapor para descongelar e limpar.
- Não utilizar dispositivos mecânicos ou outros meios para acelerar o processo de descongelação, exceto os recomendados pelo fabricante.
- Não danificar o circuito de refrigeração.
- Não utilizar aparelhos eléctricos no interior dos compartimentos de conservação dos alimentos do aparelho, exceto se forem do tipo recomendado pelo fabricante.
- Não guarde substâncias explosivas, tais como latas de aerossol com propulsor inflamável, neste aparelho.

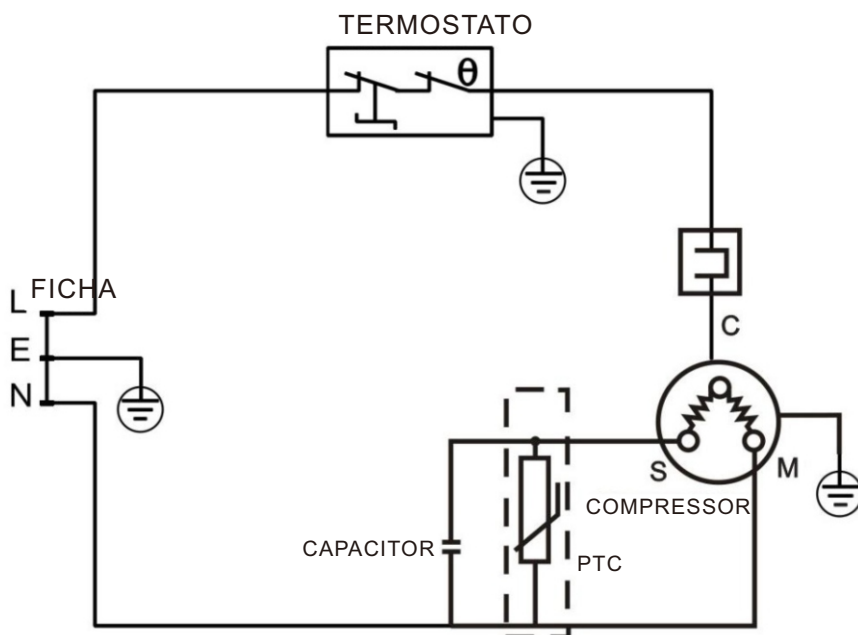
- Se o cabo de alimentação estiver danificado, deve ser substituído pelo fabricante, pelo seu agente de assistência ou por pessoas igualmente qualificadas, a fim de evitar qualquer perigo.
- Elimine o aparelho de acordo com as regras locais relativas aos gases de combustão.
- Desligue o frigorífico da tomada antes de substituir a lâmpada. Utilizar uma lâmpada adequada.
- O aparelho deve ser colocado de forma a que a ficha esteja acessível. Manter as aberturas de ventilação, na caixa do aparelho ou na estrutura incorporada, livres de obstruções.

## ESPECIFICAÇÕES

### PARÂMETRO ELÉCTRICO

Modelo	800-127V90_800-127V91
Tensão nominal	220-240V~
Frequência nominal	50Hz
Corrente de arrefecimento nominal	0,7A
Classe de proteção	I
Classe climática	N,ST
Refrigerante	R600a/24g
Gás de sopro	C <sub>5</sub> H <sub>10</sub>
Volume de armazenamento nominal	35L
Capacidade de congelação nominal	2.5kg/24h
Consumo de energia nominal	0.48kWh/24h
Peso líquido	14,5kg

## DIAGRAMA DO CIRCUITO



**Nota: As especificações estão sujeitas a alterações sem aviso prévio.**

## SERVIÇO

Se o frigorífico não estiver a funcionar corretamente, verifique se:

1. quando o frigorífico não funciona:

- A ficha de alimentação está bem encaixada na tomada de parede.
- O interruptor da rede eléctrica está desligado.
- O fusível não está queimado.

2. When the refrigerator does not cool enough:

- O termóstato está na regulação correta, as aberturas das portas são demasiado frequentes e demasiado longas.

3. quando os alimentos estão congelados:

- O termóstato está na regulação correta.

4. Quando o frigorífico funciona com demasiado ruído:

- O frigorífico não está encostado a móveis que possam transmitir ou amplificar um ruído ou uma vibração.
- O frigorífico está bem nivelado.
- Os recipientes ou embalagens sólidas armazenados no interior não estão a tocar uns nos outros.
- A alimentação eléctrica é estável.

Se o seu frigorífico continuar a não funcionar corretamente depois de efetuar as verificações acima referidas, contacte imediatamente o vendedor.

**Nota: Durante o período de elevada humidade, pode formar-se humidade no exterior do frigorífico, o que não é invulgar. Pode limpá-la você mesmo.**

## APARELHOS ANTIGOS

O armário do aparelho é formado por ciclopentano. O aparelho antigo contém materiais nocivos e deve ser eliminado juntamente com os resíduos sólidos.



1. Retirar o fecho de mola ou de parafuso do aparelho ou inutilizá-lo, para que as crianças não possam ficar presas no seu interior e sufocar.
2. Certificar-se de que o circuito de refrigeração não está danificado antes de eliminar o aparelho que já não é necessário. Desta forma, o refrigerante não se libertará para o ambiente.

As informações relativas ao refrigerante e aos materiais de isolamento utilizados encontram-se na placa de características e nas instruções de eliminação do aparelho.

As informações sobre as datas de recolha ou os pontos de recolha podem ser obtidas junto das autoridades responsáveis pela eliminação de resíduos ou do seu município.

# CONTENTS

INSTRUCTIONS DE SÉCURITÉ IMPORTANTES.....	37
GÉNÉRALITÉS.....	38
DÉBALLAGE,REMBALLAGE ET DÉMÉNAGEMENT.....	39
NOM DES ARTICLES.....	39
INSTALLATION.....	39
FONCTIONNEMENT.....	40
DÉGIVRAGE.....	40
NETTOYAGE ET ENTRETIEN.....	41
INSTRUCTIONS DE SÉCURITÉ.....	41
CARACTÉRISTIQUES TECHNIQUES.....	42
SERVICE.....	43
APPAREILS ANCIENS.....	44

## INSTRUCTIONS DE SÉCURITÉ IMPORTANTES



**REMARQUE :** Si le réfrigérateur/congélateur a été placé en position horizontale ou inclinée pendant un certain temps, attendez 24 heures avant de brancher l'appareil.

**Veillez lire attentivement les instructions suivantes avant d'utiliser votre congélateur.**

- Cet appareil peut être utilisé par des enfants à partir de 8 ans et par des personnes dont les capacités physiques, sensorielles ou mentales sont réduites ou qui manquent d'expérience et de connaissances, à condition qu'ils soient supervisés ou qu'ils aient reçu des instructions concernant l'utilisation de l'appareil en toute sécurité et en comprennent les dangers. Les enfants ne devront pas jouer avec l'appareil. Le nettoyage et l'entretien ne doivent pas être effectués par des enfants sans surveillance. Les enfants âgés de 3 à 8 ans ne sont pas peuvent charger et décharger les appareils de réfrigération.
- Si le câble d'alimentation est endommagé, il doit être remplacé par le fabricant, son service après vente ou des personnes de qualification similaire afin d'éviter un danger.
- **AVERTISSEMENT:** Maintenir dégagées les ouvertures de ventilation dans l'enceinte de l'appareil ou dans la structure d'encastrement.
- **AVERTISSEMENT:** Ne pas utiliser de dispositifs mécaniques ou autres moyens pour accélérer le processus de dégivrage autres que ceux recommandés par le fabricant.
- **AVERTISSEMENT:** Ne pas endommager le circuit de fluide frigorigène.
- **AVERTISSEMENT:** Ne pas utiliser d'appareils électriques à l'intérieur des compartiments de stockage des denrées, à moins qu'ils ne soient du type recommandé par le fabricant.
- Ne pas stocker dans cet appareil des substances explosives telles que des aérosols contenant des gaz propulseurs inflammables.



- **Danger; Risque d'incendie/Matières inflammables.**
- **AVERTISSEMENT:** Lors du positionnement de l'appareil, s'assurer que le câble d'alimentation n'est pas coincé ni endommagé.
- **AVERTISSEMENT:** Ne pas placer de socles mobiles de prises multiples ni de blocs d'alimentation portables à l'arrière de l'appareil.
- Pour éviter la contamination des aliments, veuillez respecter les instructions suivantes:
  - L'ouverture prolongée de la porte peut entraîner une augmentation significative de la température dans les compartiments de l'appareil.
  - Nettoyez régulièrement les surfaces pouvant entrer en contact avec des aliments et des systèmes de drainage accessibles.
  - Nettoyer les réservoirs d'eau s'ils n'ont pas été utilisés pendant 48 h; rincer le système d'alimentation en eau raccordé à une source d'eau si l'eau n'a pas été

aspirée pendant 5 jours.

- Rangez la viande et le poisson crus dans des récipients appropriés au réfrigérateur, de manière à ce qu'ils ne soient pas en contact avec d'autres aliments ni ne s'égouttent dessus.
- Les compartiments pour produits congelés deux étoiles sont adaptés pour stocker des produits pré congelés, stocker ou préparer des glaces et des glaçons.
- Les compartiments à une, deux et trois étoiles ne conviennent pas pour la congélation d'aliments frais.
- Si l'appareil de réfrigération reste vide pendant de longues périodes, éteignez, dégivrez, nettoyez, séchez et laissez la porte ouverte pour éviter le développement de moisissure dans l'appareil.
- Cet appareil réfrigérant n'est pas conçu pour être utilisé comme appareil encastré.
- Cet appareil réfrigérant est prévu pour être utilisé aux températures ambiantes de 16 °C à 38 °C.
- Le congélateur comprend 1 grille métallique, il suffit de la placer dans le compartiment prévu à cet effet, puis de la fixer.
- Comment réduire la consommation d'énergie de l'appareil électroménager pendant son utilisation ?
  - Ne placez pas d'aliments chauds dans le congélateur.
  - N'ouvrez et ne fermez pas la porte fréquemment.
  - Ne mettez pas trop d'aliments frais dans le congélateur en une seule fois.
  - Lorsque les aliments sont suffisamment congelés, réglez le thermostat sur une température plus basse.
  - Assurez-vous que la porte se ferme bien lorsque vous utilisez l'appareil.
- Enveloppez tous les aliments dans un film plastique de protection pour éviter qu'ils ne se déshydratent et ne perdent leur saveur. Si vous n'utilisez pas le congélateur pendant une longue période, débranchez-le, nettoyez l'intérieur, placez-le dans un endroit sec et laissez la porte légèrement ouverte.

## GÉNÉRALITÉS

Ce congélateur est destiné à être utilisé pour des applications domestiques et similaires telles que :

- les zones de cuisine du personnel dans les magasins, les bureaux et autres environnements de travail ;
- les fermes et les clients d'hôtels, de motels et d'autres installations de type résidentiel;
- les chambres d'hôtes;
- la restauration et les applications non commerciales similaires.

## DÉBALLAGE, REMBALLAGE ET DÉMÉNAGEMENT

### 1. DÉBALLAGE

Il suffit de couper la bande d'emballage, puis de tirer le carton vers le haut.

### 2. RÉEMBALLAGE

N'oubliez pas de remettre en place les coussinets en mousse d'origine.

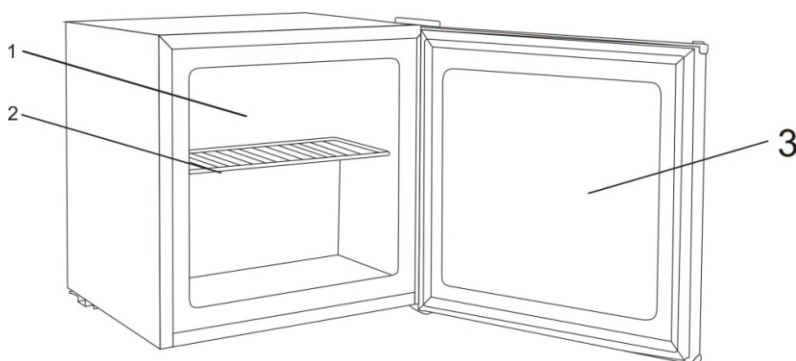
### 3. DÉPLACEMENT

Veillez à ce que le congélateur reste en position verticale pendant son déplacement.

Ne l'inclinez pas à plus de 45° par rapport à la position verticale. Ne le renversez jamais.

N'exercez aucune force sur les parties externes telles que les tuyaux, le condenseur, la porte et sa poignée pour le déplacer. Le congélateur doit être bien emballé et sécurisé lors d'un transport sur une longue distance afin d'éviter tout dommage causé par des chocs ou des secousses importantes.

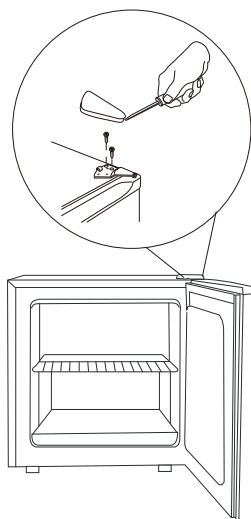
## NOM DES ARTICLES



1. Compartiment congélateur
2. Étagère du congélateur
3. Porte du congélateur

## INSTALLATION

Le congélateur doit être placé sur une surface plane et solide. Il doit être tenu à l'écart de la lumière du soleil, des sources de chaleur, de l'humidité et des endroits sales. Le congélateur doit être placé à une certaine distance du mur afin de permettre une bonne circulation de l'air. Lorsque le congélateur est placé dans un placard, l'arrière du placard doit être retiré pour permettre une bonne circulation de l'air.



## ALIGNEMENT DE LA PORTE

1. Retirez le cache supérieur de la charnière à l'aide d'un tournevis plat. Soulevez délicatement l'arrière de la charnière et faites-la glisser vers l'avant.
2. Desserrez les vis supérieures de la charnière à l'aide d'un tournevis cruciforme.
3. Ajustez la porte ou placez une entretoise entre les deux, puis serrez les vis.
4. Remettez le cache supérieur de la charnière en place en alignant l'arrière du cache avec l'arrière de la charnière. Appuyez fermement sur l'avant du cache jusqu'à ce qu'il s'enclenche.

## FONCTIONNEMENT

1. Avant de brancher le congélateur, vérifiez les points suivants :

- Tous les fils électriques doivent être en bon état.
- La vis de mise à la terre doit être bien fixée.
- La prise murale doit être correctement mise à la terre.

Assurez-vous que tout est en état normal et que le congélateur peut être branché.

2. Lors de la première utilisation

Lorsque le fonctionnement est normal et que le congélateur n'est pas chargé, attendez qu'il s'arrête automatiquement à la température souhaitée, ce qui prend généralement 2 ou 3 heures. Réglez ensuite le thermostat sur la température souhaitée et placez les aliments à l'intérieur.

3. contrôle de la température

La température du congélateur peut être réglée en tournant le bouton du thermostat situé à l'arrière de l'appareil. Plus le bouton est proche de la position « 5 », plus la température est basse. Un réglage moyen est le plus approprié pour un fonctionnement normal. La position « 5 » est plus froide que la position « 1 ».

La température du congélateur varie en fonction de la quantité d'aliments stockés et de la fréquence d'ouverture de la porte. Afin de maintenir une bonne efficacité de refroidissement et d'économiser de l'énergie, nous vous recommandons de ne pas stocker trop d'aliments et de ne pas ouvrir la porte trop fréquemment. Vous pouvez également tourner le bouton sur « 0 » pour arrêter l'appareil.

**ATTENTION :** Lorsque le thermostat a été tourné dans le sens horaire jusqu'à la position « 5 », ne tentez pas de le tourner davantage. Sinon, il sera endommagé.

## DÉGIVRAGE

Pour un fonctionnement optimal et une consommation d'énergie minimale, dégivrez le congélateur lorsque la couche de givre sur l'évaporateur atteint une épaisseur excessive de 3 à 4 mm. Pour commencer le dégivrage, tournez le régulateur de température sur « 0 », débranchez le congélateur, retirez les aliments et les tiroirs. Une fois le givre ou la glace fondus, jetez l'eau de dégivrage et séchez l'intérieur du congélateur. Vous pouvez ensuite redémarrer le congélateur en tournant son thermostat sur le réglage souhaité.

**ATTENTION :** N'utilisez jamais d'instruments métalliques tranchants (par exemple des couteaux) pour retirer le givre/la glace de l'évaporateur, car cela endommagerait l'évaporateur. Un évaporateur perforé peut causer de graves problèmes.

## NETTOYAGE ET ENTRETIEN

1. Pour nettoyer le congélateur, débranchez l'alimentation électrique et retirez les aliments, les tiroirs, etc. Utilisez une solution composée de 2 cuillères à soupe de bicarbonate de soude par litre d'eau chaude pour nettoyer l'intérieur. Essuyez ensuite avec de l'eau claire. N'utilisez jamais d'acides, de diluants chimiques, d'essence, de benzène ou autres produits similaires pour nettoyer les différentes parties du congélateur. N'utilisez jamais d'eau huileuse ni de benzène pour nettoyer les pièces en plastique, car cela pourrait les déformer ou les endommager.
2. Une quantité excessive d'aliments ou un récipient trop grand dans le congélateur affectera la circulation de l'air froid, il faut donc laisser un peu d'espace libre. Il est recommandé de ne remplir qu'environ 70 % du volume de stockage. Ne stockez pas de matières volatiles ou explosives telles que des éthers, de l'essence, du gaz de pétrole liquéfié, des adhésifs, etc. dans le réfrigérateur. Sinon, il y aura un risque d'explosion causé par des étincelles électriques.

## INSTRUCTIONS DE SÉCURITÉ

Avant de brancher votre congélateur, vérifiez que l'alimentation électrique de votre maison est conforme aux caractéristiques techniques (tension, fréquence) du congélateur. La plaque signalétique se trouve généralement à l'arrière du congélateur. Le congélateur doit toujours être branché sur sa propre prise électrique afin d'éviter toute surcharge, qui pourrait entraîner un risque d'incendie dû à la surchauffe des fils. Ne pas éclabousser le congélateur avec de l'eau, car cela pourrait provoquer une fuite électrique ou une panne. Si le cordon d'alimentation est endommagé, demandez à un électricien de le remplacer immédiatement. Le congélateur doit être correctement mis à la terre.

- Notre société n'est pas responsable des accidents causés par une mauvaise mise à la terre ou une mauvaise utilisation.
- Toute réparation ou intervention sur l'appareil ne doit être effectuée que par le service après-vente, car toute intervention non autorisée peut s'avérer très dangereuse pour l'utilisateur.
- Ne stockez pas d'explosifs ou de sprays utilisant des gaz propulseurs combustibles tels que le butane, le propane, le pentane, etc.
- Dans l'appareil, les composants électriques peuvent provoquer l'inflammation d'une fuite de gaz. Ces sprays sont reconnaissables à leur contenu imprimé ou à un symbole de flamme.
- Ne laissez pas de flammes nues ou de sources d'inflammation pénétrer dans l'appareil.
- N'utilisez pas de nettoyeurs à vapeur pour le dégivrage et le nettoyage.
- N'utilisez pas de dispositifs mécaniques ou d'autres moyens pour accélérer le processus de dégivrage, autres que ceux recommandés par le fabricant.
- Ne pas endommager le circuit du réfrigérant.
- Ne pas utiliser d'appareils électriques à l'intérieur des compartiments de stockage des aliments de l'appareil, sauf s'ils sont du type recommandé par le fabricant.

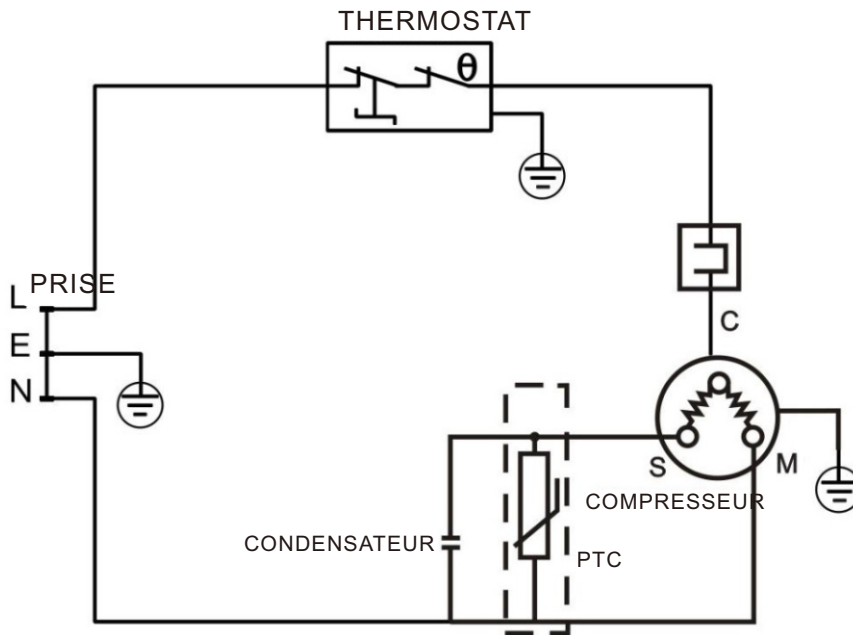
- Ne stockez pas de substances explosives telles que des bombes aérosols contenant un agent propulseur inflammable dans cet appareil.
- Si le cordon d'alimentation est endommagé, il doit être remplacé par le fabricant, son agent de service ou des personnes de qualification similaire afin d'éviter tout danger.
- Veuillez mettre l'appareil au rebut conformément à la réglementation locale relative aux gaz de combustion.
- Débranchez le réfrigérateur avant de remplacer la lampe. Utilisez la lampe appropriée.
- L'appareil doit être placé de manière à ce que la prise soit accessible. Veillez à ce que les ouvertures de ventilation, dans l'enceinte de l'appareil ou dans la structure intégrée, ne soient pas obstruées.

## CARACTÉRISTIQUES TECHNIQUES

### PARAMÈTRE ÉLECTRIQUE

Modèle	800-127V90_800-127V91
Tension nominale	220-240V~
Fréquence nominale	50Hz
Courant de refroidissement nominal	0,7A
Classe de protection	I
Classe climatique	N,ST
Réfrigérant	R600a/24g
Gaz de soufflage	C <sub>5</sub> H <sub>10</sub>
Volume de stockage nominal	35L
Capacité de congélation nominale	2.5kg/24h
Consommation d'énergie nominale	0.48kWh/24h
Poids net	14,5kg

## DIAGRAMA DO CIRCUITO



**Note :** Les spécifications peuvent être modifiées sans préavis.

## SERVICE

Si le réfrigérateur ne fonctionne pas correctement, vérifiez les points suivants :

1. lorsque le réfrigérateur ne fonctionne pas :

- La fiche d'alimentation est bien enfoncée dans la prise murale.
- L'interrupteur d'alimentation est éteint.
- Le fusible n'est pas grillé.

2. Lorsque le réfrigérateur ne refroidit pas suffisamment :

- Le thermostat est réglé correctement, les ouvertures de porte sont trop fréquentes et trop longues.

3. lorsque les aliments sont congelés :

- Le thermostat est réglé correctement.

4. Lorsque le réfrigérateur fonctionne de manière trop bruyante :

- Le réfrigérateur n'est pas en contact avec des meubles susceptibles de transmettre ou d'amplifier un bruit ou une vibration.
- Le réfrigérateur est correctement nivelé.
- Les récipients ou emballages solides stockés à l'intérieur ne se touchent pas.
- L'alimentation électrique est stable.

Si votre réfrigérateur ne fonctionne toujours pas correctement après avoir effectué les vérifications ci-dessus, veuillez contacter le revendeur immédiatement.

**Remarque :** Pendant la période de forte humidité, de l'humidité peut se former à l'extérieur du réfrigérateur, ce qui n'est pas inhabituel. Vous pouvez l'essuyer vous-même.

## APPAREILS ANCIENS

Le boîtier de l'appareil est constitué de cyclopentane. L'ancien appareil contient des matériaux nocifs et doit être jeté avec les ordures ménagères.

1. Retirez le ressort ou le verrou de l'appareil ou rendez-le inutilisable afin que les enfants ne puissent pas se retrouver coincés à l'intérieur et suffoquer.
2. S'assurer que le circuit du réfrigérant n'est pas endommagé avant d'emporter l'appareil hors d'usage pour le mettre au rebut. De cette manière, le réfrigérant ne s'échappera pas dans l'environnement.



Les informations concernant le fluide frigorigène et les matériaux isolants utilisés figurent sur la plaque signalétique et les instructions d'élimination de l'appareil.

Les informations sur les dates de collecte ou les points de collecte peuvent être obtenues auprès des autorités chargées de l'élimination des déchets ou de votre municipalité.

# CONTENTS

<b>WICHTIGE SICHERHEITSHINWEISE</b> .....	<b>46</b>
<b>ALLGEMEINES</b> .....	<b>47</b>
<b>AUSPACKEN, AUSPACKEN UND UMZIEHEN</b> .....	<b>47</b>
<b>NAME DER ARTIKEL</b> .....	<b>48</b>
<b>INSTALLATION</b> .....	<b>48</b>
<b>BETRIEB</b> .....	<b>49</b>
<b>ENTFROSTEN</b> .....	<b>49</b>
<b>REINIGUNG UND WARTUNG</b> .....	<b>50</b>
<b>SICHERHEITSHINWEISE</b> .....	<b>50</b>
<b>SPEZIFIKATIONEN</b> .....	<b>51</b>
<b>SERVICE</b> .....	<b>52</b>
<b>ALTE APPLIKATIONEN</b> .....	<b>53</b>

## WICHTIGE SICHERHEITSHINWEISE



**HINWEIS:** Wenn das Kühl-/Gefriergerät über einen längeren Zeitraum in einer horizontalen oder gekippten Position gestanden hat, warten Sie 24 Stunden, bevor Sie das Gerät wieder einschalten.

**Bitte lesen Sie die folgenden Anweisungen sorgfältig durch, bevor Sie Ihren Gefrierschrank in Betrieb nehmen.**

- Dieses Gerät kann von Kindern ab 8 Jahren und darüber sowie von Personen mit verringerten physischen, sensorischen oder mentalen Fähigkeiten oder Mangel an Erfahrung und Wissen benutzt werden, wenn sie beaufsichtigt oder bezüglich des sicheren Gebrauchs des Gerätes unterwiesen wurden und die daraus resultierenden Gefahren verstehen. Kinder dürfen nicht mit dem Gerät spielen. Reinigung und Benutzer-Wartung dürfen nicht von Kindern ohne Aufsicht durchgeführt werden. Kindern im Alter von 3 bis einschließlich 8 Jahren ist es nicht erlaubt, Kühlgeräte zu be- und entladen.
- Wenn das Netzkabel beschädigt ist, muss es vom Hersteller, seinem Kundendienst oder einer ähnlich qualifizierten Person ausgetauscht werden, um Gefahren zu vermeiden.
- **WARNUNG:** Belüftungsöffnungen im Gerätegehäuse oder im Einbaugehäuse nicht verschließen.
- **WARNUNG:** Zum Beschleunigen des Abtauvorgangs keine anderen mechanischen Einrichtungen oder sonstigen Mittel als die vom Hersteller empfohlenen benutzen.
- **WARNUNG:** Kältemittelkreislauf nicht beschädigen.
- **WARNUNG:** Keine elektrischen Geräte innerhalb des Kühlfachs betreiben, die nicht der vom Hersteller empfohlenen Bauart entsprechen.
- In diesem Gerät keine explosionsfähigen Stoffe, wie zum Beispiel Aerosolbehälter mit brennbarem Treibgas, lagern.



- **Vorsicht: Brandgefahr / Entzündliche Materialien**
- **ACHTUNG:** Achten Sie beim Aufstellen des Geräts darauf, dass das Netzkabel nicht eingeklemmt oder beschädigt wird.
- **Warnung:** Platzieren Sie keine Mehrfachsteckdosen oder tragbaren Netzteile an der Rückseite des Geräts, um eine Überhitzung oder mögliche Brandgefahr zu vermeiden.
- Um eine Kontamination der Lebensmittel zu vermeiden, beachten Sie bitte die folgenden Anweisungen:
  - Das Öffnen der Tür über einen längeren Zeitraum kann zu einem deutlichen Temperaturanstieg in den Fächern des Geräts führen.
  - Reinigen Sie regelmäßig Oberflächen, die mit Lebensmitteln in Kontakt kommen können, sowie zugängliche Abflusssysteme.
  - Reinigen Sie die Wasserbehälter, wenn sie 48 Stunden lang nicht benutzt wurden;

spülen Sie das an eine Wasserversorgung angeschlossene Wassersystem, wenn 5 Tage lang kein Wasser entnommen wurde.

- Lagern Sie rohes Fleisch und Fisch in geeigneten Behältern im Kühlschrank, damit sie nicht mit anderen Lebensmitteln in Berührung kommen oder auf diese tropfen.
- Zwei-Sterne-Gefrierfächer eignen sich für die Lagerung von vorgefrorenen Lebensmitteln, die Lagerung oder Herstellung von Speiseeis und die Herstellung von Eiswürfeln.
- Ein-, Zwei- und Drei-Sterne-Fächer eignen sich nicht zum Einfrieren frischer Lebensmittel.
- Wenn das Kühlgerät längere Zeit leer steht, schalten Sie es aus, tauen Sie es ab, reinigen und trocknen Sie es und lassen Sie die Tür offen, um Schimmelbildung im Gerät zu vermeiden.
- Dieses Kühlgerät ist nicht für den Einbau vorgesehen.
- Dieses Kühlgerät ist für den Betrieb bei Umgebungstemperaturen zwischen 16 °C und 38 °C vorgesehen.
- Der Gefrierschrank enthält 1 Drahtrost, den Sie einfach entsprechend in den Schrank einsetzen können.
- Wie lässt sich der Energieverbrauch des Haushaltsgeräts während des Betriebs minimieren?
  - Legen Sie keine heißen Speisen in den Gefrierschrank.
  - Öffnen und schließen Sie die Tür nicht zu häufig.
  - Legen Sie nicht zu viele frische Lebensmittel auf einmal in den Gefrierschrank.
  - Wenn die Lebensmittel ausreichend gefroren sind, stellen Sie den Thermostat auf eine niedrigere Stufe.
  - Achten Sie darauf, dass die Tür beim Gebrauch gut schließt.
- Wickeln Sie alle Lebensmittel in eine Schutzfolie ein, um Austrocknung und Geschmacksverlust zu vermeiden. Wenn Sie den Gefrierschrank längere Zeit nicht benutzen, ziehen Sie den Stecker, reinigen Sie das Innere, stellen Sie den Gefrierschrank an einen trockenen Ort und lassen Sie die Tür leicht geöffnet.

## **ALLGEMEINES**

Dieses Gerät ist für den Gebrauch im Haushalt und in ähnlichen Anwendungsbereichen vorgesehen wie z.B:

- Personalküchenbereichen in Läden, Büros und anderen Arbeitsbereichen;
- in der Landwirtschaft und von Gästen in Hotels, Motels und anderen Unterkünften;
- Frühstückspensionen;
- im Catering und ähnlichem Großhandelseinsatz.gesehen.

## **AUSPACKEN, AUSPACKEN UND UMZIEHEN**

### **1. AUSPACKEN**

Schneiden Sie einfach das Verpackungsband ab, und ziehen Sie den Karton nach oben.

## 2. VERPACKEN

Bitte denken Sie daran, die originalen Schaumstoffeinlagen wieder anzubringen.

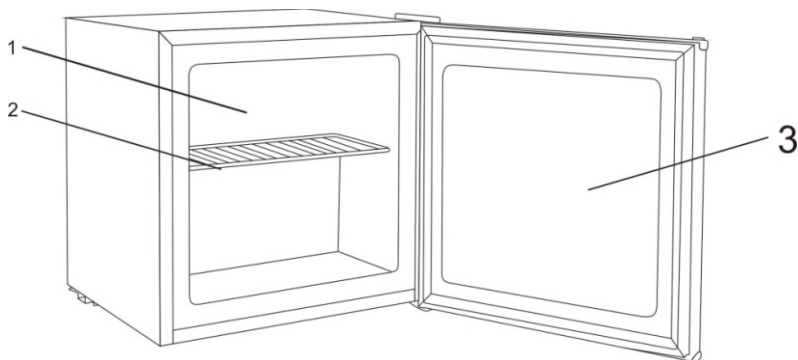
## 3. UMZUG

Achten Sie darauf, dass der Gefrierschrank während des Transports in aufrechter Position bleibt.

Neigen Sie ihn nicht um mehr als 45° aus der aufrechten Position. Kippen Sie ihn niemals um.

Üben Sie beim Transport keine Kraft auf äußere Teile wie Rohre, Kondensator, Tür und Türgriff aus. Der Gefrierschrank muss für den Transport über weite Strecken gut verpackt und gesichert sein, um Schäden durch Stöße und/oder starkes Schaukeln zu vermeiden.

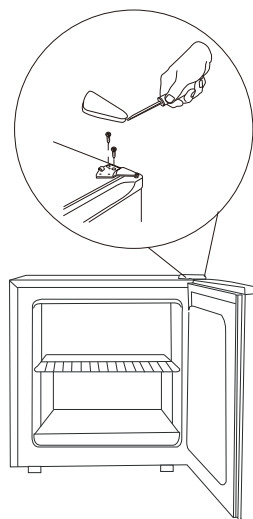
## NAME DER ARTIKEL



- 1. Freezer chamber
- 2. Freezer shelf
- 3. Freezer door

## INSTALLATION

Der Gefrierschrank sollte auf einer ebenen und festen Oberfläche aufgestellt werden. Er sollte vor Sonnenlicht, Wärmequellen, Feuchtigkeit und Schmutz geschützt werden. Der Gefrierschrank sollte einen ausreichenden Abstand zur Wand haben, um eine gute Luftzirkulation zu gewährleisten. Wenn der Gefrierschrank in einem Schrank aufgestellt wird, muss die Rückwand des Schanks entfernt werden, um eine gute Luftzirkulation zu gewährleisten.



## AUSRICHTUNG DER TÜR

1. Entfernen Sie die obere Scharnierabdeckung mit einem flachen Schraubendreher. Heben Sie sie vorsichtig von der Rückseite des Scharniers ab und schieben Sie sie nach vorne.
2. Lösen Sie die oberen Scharnierschrauben mit einem Kreuzschlitzschraubendreher.
3. Richten Sie die Tür aus oder legen Sie einen Abstandhalter dazwischen und ziehen Sie dann die Schrauben fest.
4. Setzen Sie die obere Scharnierabdeckung wieder auf, indem Sie die Rückseite der Abdeckung an der Rückseite des Scharniers ausrichten. Drücken Sie fest auf die Vorderseite der Abdeckung, bis sie einrastet.

## BETRIEB

1. Bevor Sie den Gefrierschrank anschließen, überprüfen Sie Folgendes:

- Alle elektrischen Leitungen dürfen keine Beschädigungen aufweisen.
- Die Erdungsschraube muss fest sitzen.
- Die Steckdose muss ordnungsgemäß geerdet sein.

Vergewissern Sie sich, dass alles in normalem Zustand ist und der Gefrierschrank angeschlossen werden kann.

2. Bei der ersten Inbetriebnahme

Wenn der Betrieb normal ist und der Gefrierschrank ohne Beladung läuft, bis er bei der gewünschten Temperatur automatisch stoppt, dauert dies in der Regel 2 bis 3 Stunden. Stellen Sie dann den Thermostat auf die gewünschte Einstellung und legen Sie die Lebensmittel hinein.

3. Temperaturregelung

Die Temperatur des Gefrierschranks kann durch Drehen des Thermostatknopfs an der Rückseite des Geräts eingestellt werden. Je näher der Knopf an der Position „5“ steht, desto niedriger wird die Temperatur. Eine mittlere Einstellung ist für den allgemeinen Betrieb am besten geeignet. Die Position „5“ ist kälter als die Position „1“.

Die Temperatur des Gefrierschranks hängt von der Menge der gelagerten Lebensmittel und der Häufigkeit des Öffnens der Tür ab. Um eine gute Kühleffizienz zu gewährleisten und Energie zu sparen, empfehlen wir Ihnen, nicht zu viele Lebensmittel zu lagern und die Tür nicht zu häufig zu öffnen. Wenn Sie den Regler auf „0“ stellen, schaltet sich das Gerät aus.

**VORSICHT:** Wenn der Thermostat im Uhrzeigersinn auf die Position „5“ gedreht wurde, versuchen Sie nicht, ihn weiter zu drehen. Andernfalls wird er beschädigt.

## ENTFROSTEN

Für einen möglichst effizienten Betrieb und einen minimalen Energieverbrauch sollten Sie den Gefrierschrank abtauen, wenn die Vereisung am Verdampfer eine Dicke von 3 bis 4 mm überschreitet. Um mit dem Abtauen zu beginnen, stellen Sie den

Temperaturregler auf „0“, ziehen Sie den Netzstecker des Gefrierschranks, entfernen Sie die Lebensmittel und Schubladen. Nachdem das Eis geschmolzen ist, gießen Sie das Schmelzwasser weg und trocknen Sie das Innere des Gefrierschranks. Anschließend kann der Gefrierschrank durch Drehen des Thermostats auf die gewünschte Einstellung wieder in Betrieb genommen werden.

**VORSICHT:** Verwenden Sie niemals scharfe oder metallische Gegenstände (z. B. Messer), um Frost/Eis vom Verdampfer zu entfernen, da dies den Verdampfer beschädigen kann. Ein beschädigter Verdampfer kann zu ernsthaften Problemen führen.

## REINIGUNG UND WARTUNG

1. Um den Gefrierschrank zu reinigen, trennen Sie ihn vom Stromnetz und entfernen Sie Lebensmittel, Schubladen usw. Verwenden Sie zum Reinigen des Innenraums eine Lösung aus 2 Löffeln Backpulver pro Liter warmem Wasser. Wischen Sie ihn anschließend mit klarem Wasser sauber. Verwenden Sie niemals Säuren, chemische Verdüner, Benzin, Benzol oder ähnliche Mittel zum Reinigen von Teilen des Gefrierschranks. Verwenden Sie niemals ölhaltiges Wasser und Benzol zum Reinigen von Kunststoffteilen, da diese sich verformen oder beschädigt werden können.
2. Zu viele Lebensmittel oder zu große Behälter im Gefrierschrank beeinträchtigen die Zirkulation der Kaltluft, daher muss etwas Freiraum gelassen werden. Es wird empfohlen, etwa 70 % des Lagervolumens zu beladen. Lagern Sie keine flüchtigen und/oder explosiven Materialien wie Ether, Benzin, Flüssiggas, Klebstoffe usw. im Kühlschrank. Andernfalls besteht Explosionsgefahr durch elektrische Funken.

## SICHERHEITSHINWEISE

Bevor Sie Ihren Gefrierschrank anschließen, überprüfen Sie, ob die Stromversorgung in Ihrem Haus den Nennwerten (Spannung, Frequenz) des Gefrierschranks entspricht. Das Typenschild befindet sich in der Regel auf der Rückseite des Gefrierschranks. Der Gefrierschrank sollte immer an eine eigene Steckdose angeschlossen werden, um eine Überlastung zu vermeiden, die durch überhitzte Kabel zu einer möglichen Brandgefahr führen könnte. Spritzen Sie kein Wasser auf den Gefrierschrank, da dies zu Stromausfällen oder -ausfällen führen kann. Wenn das Netzkabel beschädigt ist, lassen Sie es sofort von einem Elektriker ersetzen. Der Gefrierschrank muss ordnungsgemäß geerdet sein.

- Unser Unternehmen haftet nicht für Unfälle, die durch unsachgemäße Erdung oder unsachgemäße Bedienung verursacht werden.
- Alle Reparaturen und Arbeiten am Gerät dürfen nur vom Kundendienst durchgeführt werden, da nicht autorisierte Arbeiten für den Benutzer sehr gefährlich sein können.
- Lagern Sie keine Sprengstoffe oder Sprays mit brennbaren Treibgasen wie Butan, Propan, Pentan usw.
- Im Gerät befindliche elektrische Bauteile könnten austretendes Gas entzünden. Sie erkennen solche Sprays am aufgedruckten Inhalt oder einem Flammensymbol.
- Achten Sie darauf, dass keine offenen Flammen oder Zündquellen in das Gerät gelangen.

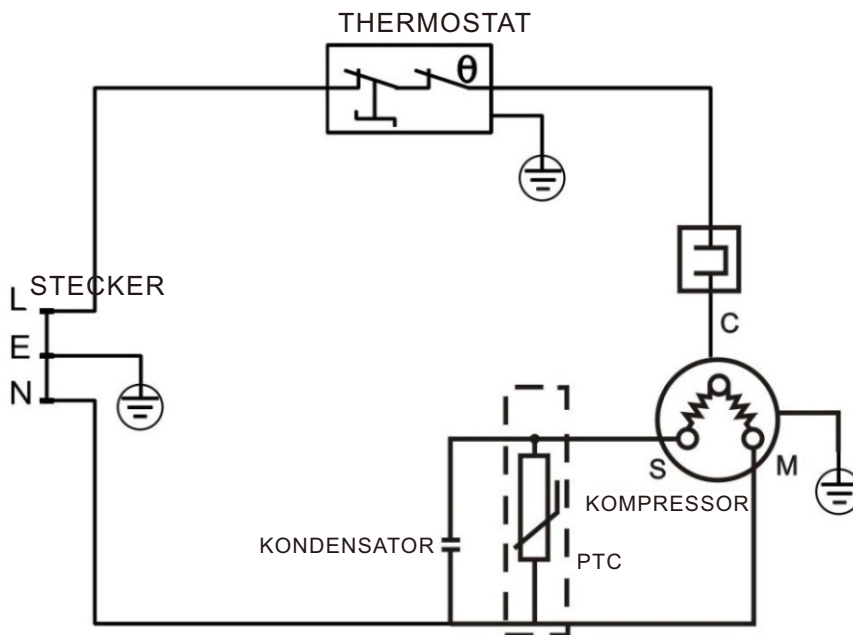
- Verwenden Sie zum Abtauen und Reinigen keine Dampfreiniger.
- Verwenden Sie keine mechanischen Vorrichtungen oder andere Mittel zur Beschleunigung des Abtauprozesses, die nicht vom Hersteller empfohlen werden.
- Beschädigen Sie nicht den Kältemittelkreislauf.
- Benutzen Sie keine elektrischen Geräte in den Lebensmittelaufbewahrungsfächern des Geräts, es sei denn, es handelt sich um die vom Hersteller empfohlenen Typen.
- Bewahren Sie keine explosiven Stoffe wie Spraydosen mit brennbarem Treibmittel in diesem Gerät auf.
- Wenn das Netzkabel beschädigt ist, muss es vom Hersteller, seinem Kundendienst oder einer ähnlich qualifizierten Person ausgetauscht werden, um eine Gefährdung zu vermeiden.
- Bitte entsorgen Sie das Gerät gemäß den örtlichen Vorschriften für Treibgase.
- Trennen Sie den Kühlschrank vom Stromnetz, bevor Sie die Lampe austauschen. Verwenden Sie eine geeignete Lampe.
- Das Gerät muss so aufgestellt werden, dass der Stecker zugänglich ist. Achten Sie darauf, dass die Lüftungsöffnungen im Gehäuse des Geräts oder in der Einbauposition nicht blockiert werden.

## **SPEZIFIKATIONEN**

### **ELEKTRISCHER PARAMETER**

Modell	800-127V90_800-127V91
Nennspannung	220-240V~
Nennfrequenz	50Hz
Nennkühlstrom	0,7A
Schutzklasse	I
Klima-Klasse	N,ST
Kältemittel	R600a/24g
Blasen von Gas	C <sub>5</sub> H <sub>10</sub>
Nennspeichervolumen	35L
Nenngefrierleistung	2.5kg/24h
Nennenergieverbrauch	0.48kWh/24h
Nettogewicht	14,5kg

## SCHALTPLAN



**Hinweis: Änderungen der technischen Daten ohne vorherige Ankündigung vorbehalten.**

## SERVICE

Wenn der Kühlschrank nicht richtig funktioniert, überprüfen Sie das:

1. wenn der Kühlschrank nicht funktioniert:

- Der Netzstecker ist fest in der Steckdose eingesteckt.
- Der Netzschalter ist ausgeschaltet.
- Die Sicherung ist nicht durchgebrannt.

2. Wenn der Kühlschrank nicht ausreichend abkühlt:

- Der Thermostat ist richtig eingestellt, die Türen werden zu häufig und zu lange geöffnet.

3. Wenn die Lebensmittel gefroren sind:

- Der Thermostat ist richtig eingestellt.

4. Wenn der Kühlschrank zu geräuschvoll arbeitet:

- Der Kühlschrank steht nicht in der Nähe von Möbeln, die Geräusche oder Vibrationen übertragen oder verstärken können.
- Der Kühlschrank ist richtig nivelliert.
- Die darin gelagerten Behälter oder festen Verpackungen berühren sich nicht.
- Die Netzversorgung ist stabil.

Wenn Ihr Kühlschrank nach den oben genannten Kontrollen immer noch nicht richtig funktioniert, wenden Sie sich bitte umgehend an Ihren Händler.

**Hinweis: Während der Zeit hoher Luftfeuchtigkeit kann sich an der Außenseite des Kühlschranks Feuchtigkeit bilden, was nicht ungewöhnlich ist. Sie können sie einfach selbst abwischen.**

## ALTE APPLIKATIONEN

Das Gehäuse des Geräts besteht aus Cyclopentan. Das Altgerät enthält Schadstoffe und sollte mit dem Sperrmüll entsorgt werden.



1. Entfernen Sie die Feder- oder Riegelverschlüsse aus dem Gerät oder machen Sie es unbrauchbar, damit sich Kinder nicht darin verfangen und ersticken können.
2. Stellen Sie sicher, dass der Kältemittelkreislauf nicht beschädigt ist, bevor Sie das nicht mehr benötigte Gerät zur Entsorgung wegbringen. Auf diese Weise kann das Kältemittel nicht in die Umwelt entweichen.

Informationen über das verwendete Kältemittel und die Isoliermaterialien finden Sie auf dem Typenschild und den Entsorgungshinweisen am Gerät.

Informationen über Abholtermine oder Sammelstellen erhalten Sie bei den Abfallentsorgungsbehörden oder Ihrer Gemeindeverwaltung.

**UK**

If you have any questions, please contact our customer care center.

Our contact details are below:



0044-800-240-4004



enquiries@mhstar.co.uk

IMPORTER ADDRESS:

MH STAR UK LTD

Unit 27, Perivale Park,

Horsenden lane South

Perivale, UB6 7RH

MADE IN CHINA

**ES**

Si tiene alguna pregunta, comuníquese con nuestro Centro de Atención al Cliente. Nuestros datos de contacto son los siguientes:



0034-931294512



atencioncliente@aosom.es

Importador/Fabricante/REP:

Spanish Aosom, S.L.

C/ Roc Gros, N° 15. 08550, Els Hostalets de Balenyà, Spain.

B66295775

atencioncliente@aosom.es

TEL: 931294512

HECHO EN CHINA

**FR**

Si vous avez la moindre question, veuillez contacter notre centre d'assistance à la clientèle.

Nos coordonnées sont les suivantes:



0033-1-84166106



aosom@mhfrance.fr

Importé par/Fabricant/REP:

MH France

2,rue Maurice Hartmann

92130Issy-les-Moulineaux

France

Fabriqué en Chine

**PT**

Se tiver alguma dúvida, por favor contacte o nosso Centro de Atendimento ao Cliente. Os nossos dados de contacto são os seguintes:



0034-931294512



info@aosom.pt.

IMPORTADOR:

SPANISH AOSOM, S.L

C.ROC GROS N.15, 08550. ELS HOSTALETES DE BALENYÀ

TEL: 931294512 (SEG-SEX DAS 7:30H ÀS 16:30H)

INFO@AOSOM.PT

WWW.AOSOM.PT

**DE**

Wenn Sie Fragen haben, wenden Sie sich bitte an unser Kundendienstzentrum.

Unsere Kontaktdaten stehen unten:



0049-0(40)-87408465



service@aosom.de

Importeur/Hersteller/REP:

MH Handel GmbH

Wendenstraße 309

D-20537 Hamburg

Germany

IN CHINA HERGESTELLT

**IT**

In caso di dubbio, si prega di contattare il nostro centro assistenza clienti. I nostri dettagli di contatto sono di seguito:



0039-0249471447



clienti@aosom.it

IMPORTATO DA/Produttore/REP:

AOSOM Italy srl

Centro Direzionale Milanofiori

Strada 1 Palazzo F1

20057 Assago (MI)

P.1.: 08567220960

FATTO IN CINA



FR

Cet appareil,  
ses accessoires,  
cordons et batteries  
se recyclent

REPRISE  
À LA LIVRAISON



OU

À DÉPOSER  
EN MAGASIN



OU

À DÉPOSER  
EN DÉCHÈTERIE



Points de collecte sur [www.quefairedemesdechets.fr](http://www.quefairedemesdechets.fr)  
Privilégiez la réparation ou le don de votre appareil !

Aosom