



## WARNING!

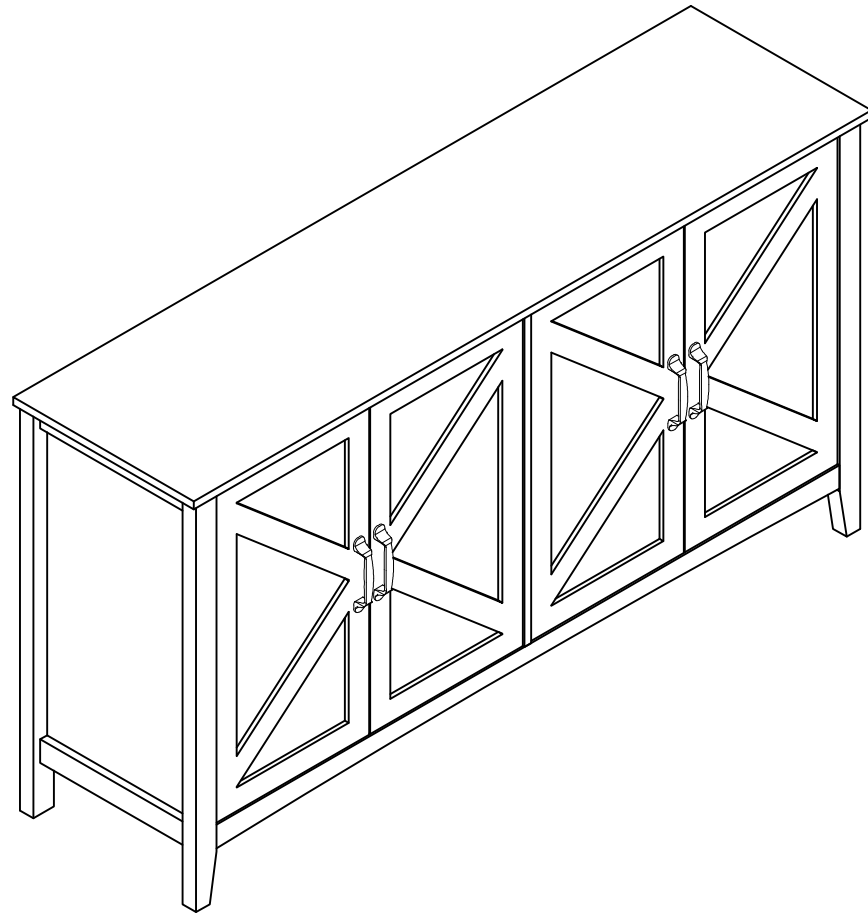
Children have died from furniture tipover. Fixed wall device have been included with this product;you must install the fixed wall device according to these instructions in order to minimize the risk of furniture.If you have any questions about this product or the Fixed wall device , please contact us immediately.

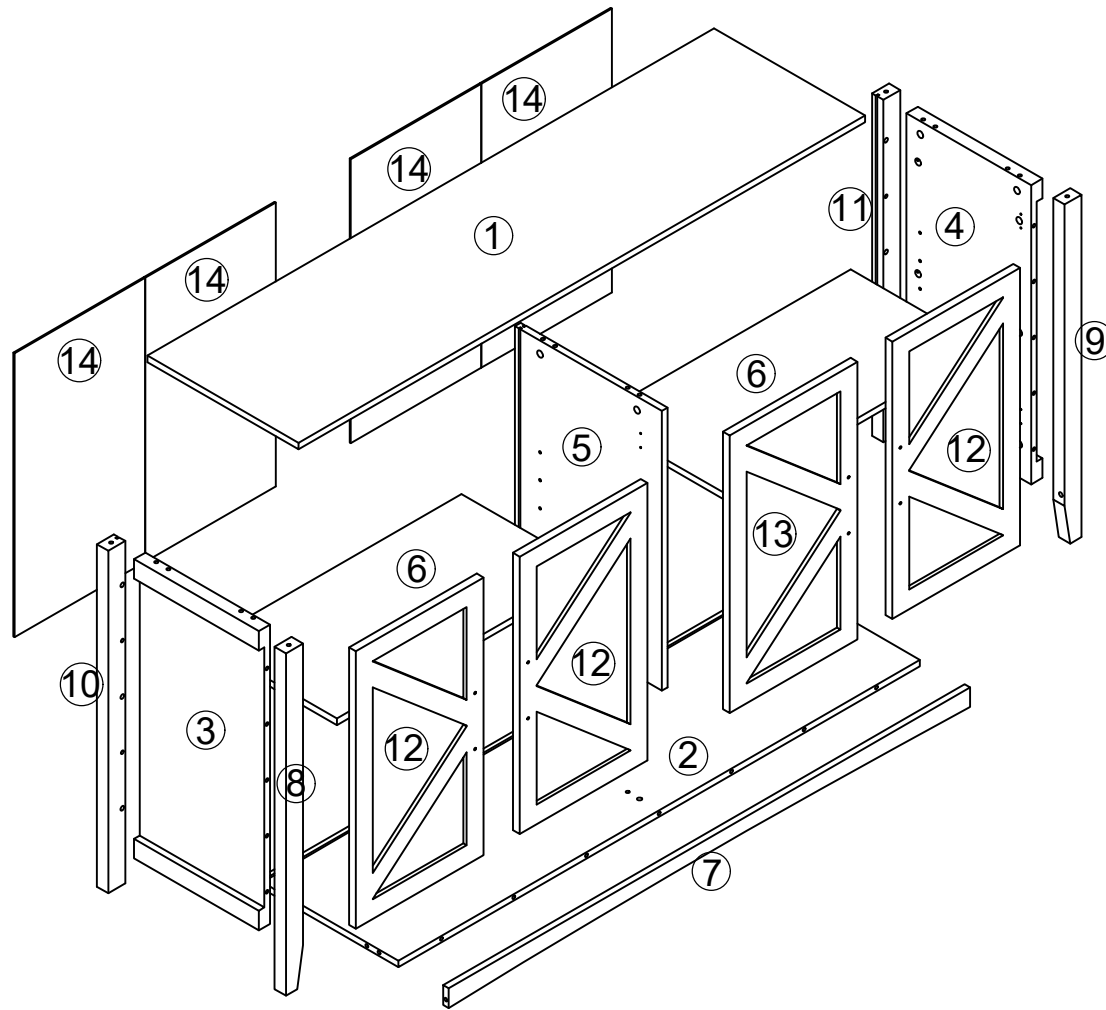
Never allow children to climb or hang on furniture,including drawers or cabiner doors.



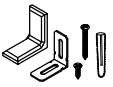
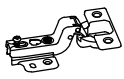


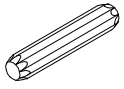
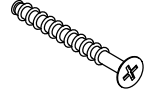

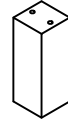




In addition to installing the restrains,to help prevent tip-over.

1. Never put a TV or other heavy objects on top of this product.
2. Do not stand on the product.

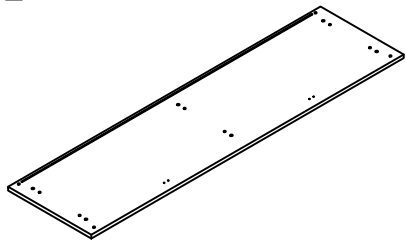
<b>⚠ WARNING</b>	
	<p><b>Children have died from furniture tipover. To reduce the risk of furniture tipover:</b></p> <ul style="list-style-type: none"><li>• ALWAYS install tipover restraint provided.</li><li>• NEVER put a TV on this product.</li><li>• NEVER allow children to stand, climb or hang on drawers, doors, or shelves.</li><li>• NEVER open more than one drawer at a time.</li><li>• Place heaviest items in the lowest drawers.</li><li>• Do not defeat or remove the drawer interlock system.</li></ul>
	<p><i>This is a permanent label. Do not remove!</i></p>





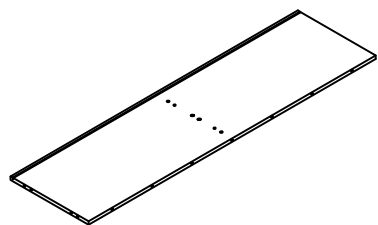
<p>K 128mm</p>  <p>4PCS</p>	<p>L 4*22</p>  <p>8PCS</p>	<p>M</p>  <p>2PCS</p>	<p>N</p>  <p>8PCS</p>						
<p>A</p>  <p>30PCS</p>	<p>B</p>  <p>30PCS</p>	<p>C 8*40</p>  <p>27PCS</p>	<p>D 7*50</p>  <p>2PCS</p>	<p>E 3.5*14</p>  <p>52PCS</p>	<p>F</p>  <p>1PCS</p>	<p>G</p>  <p>2PCS</p>	<p>H</p>  <p>16PCS</p>	<p>I 3*12</p>  <p>16PCS</p>	<p>J</p>  <p>8PCS</p>

1



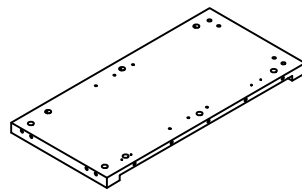
1500\*402 1PS

2



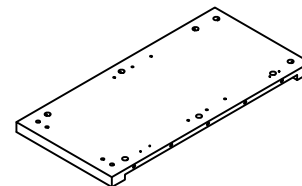
1380\*374 1PS

3



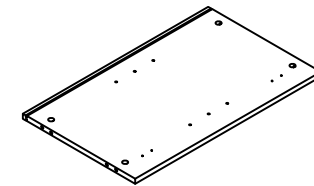
694\*330 1PS

4



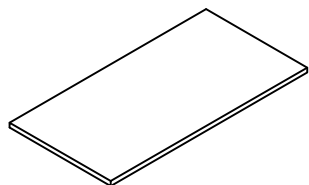
694\*330 1PS

5



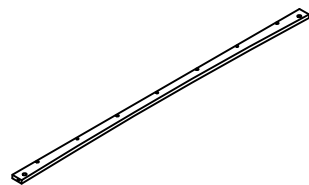
641\*389 1PS

6



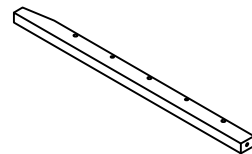
680\*350 2PS

7



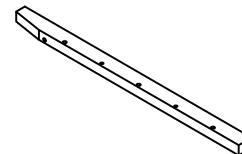
1380\*45 1PS

8



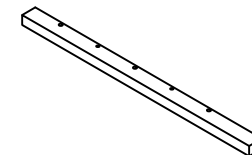
785\*45 1PS

9



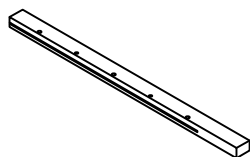
785\*45 1PS

10



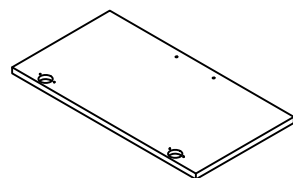
785\*45 1PS

11



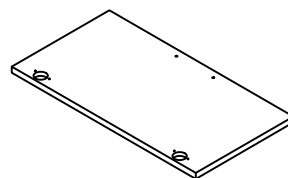
785\*45 1PS

12



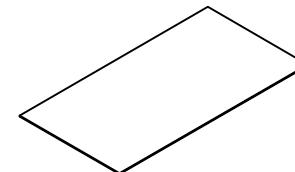
636\*338 3PS

13



636\*338 1PS

14



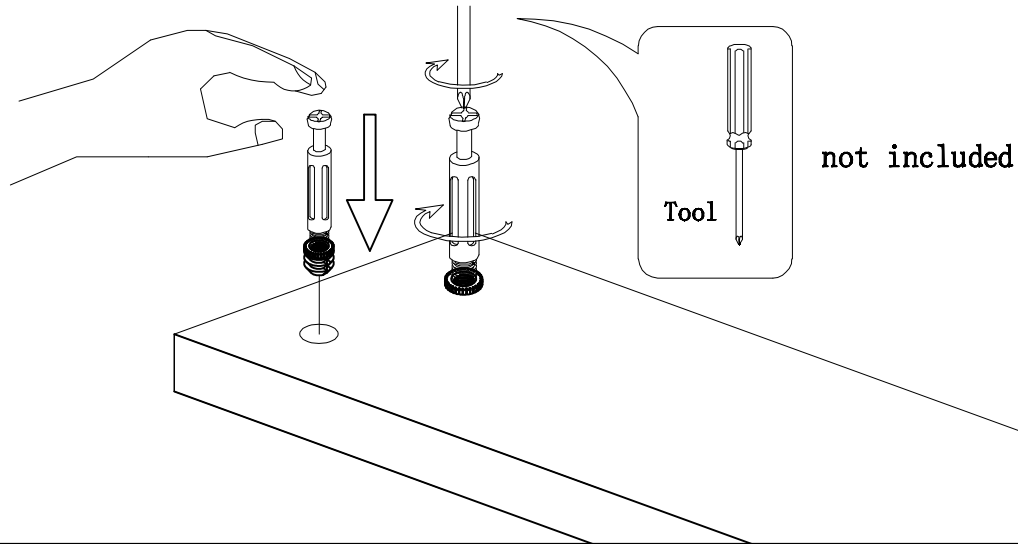
651\*345.5 4PS



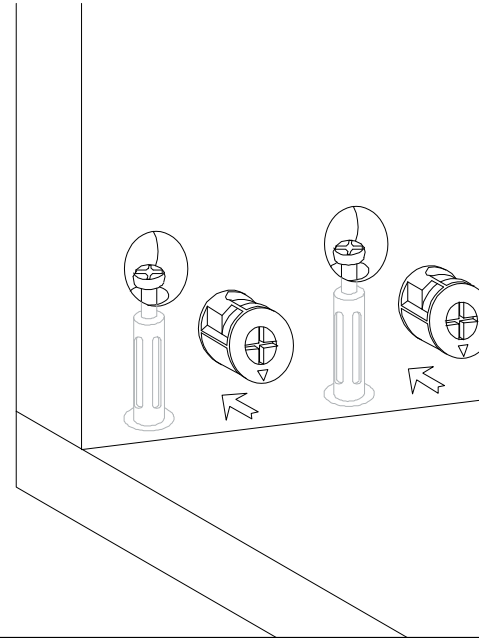
# Hardware installation demonstration

NOTE: Please make sure "A" hardware tightened and can't be pulled out!

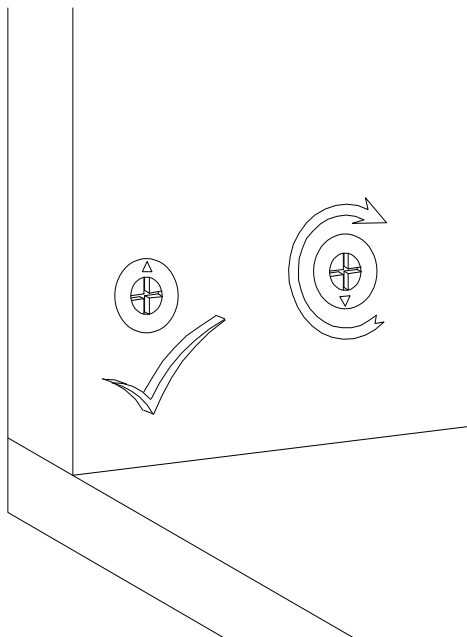
I



II

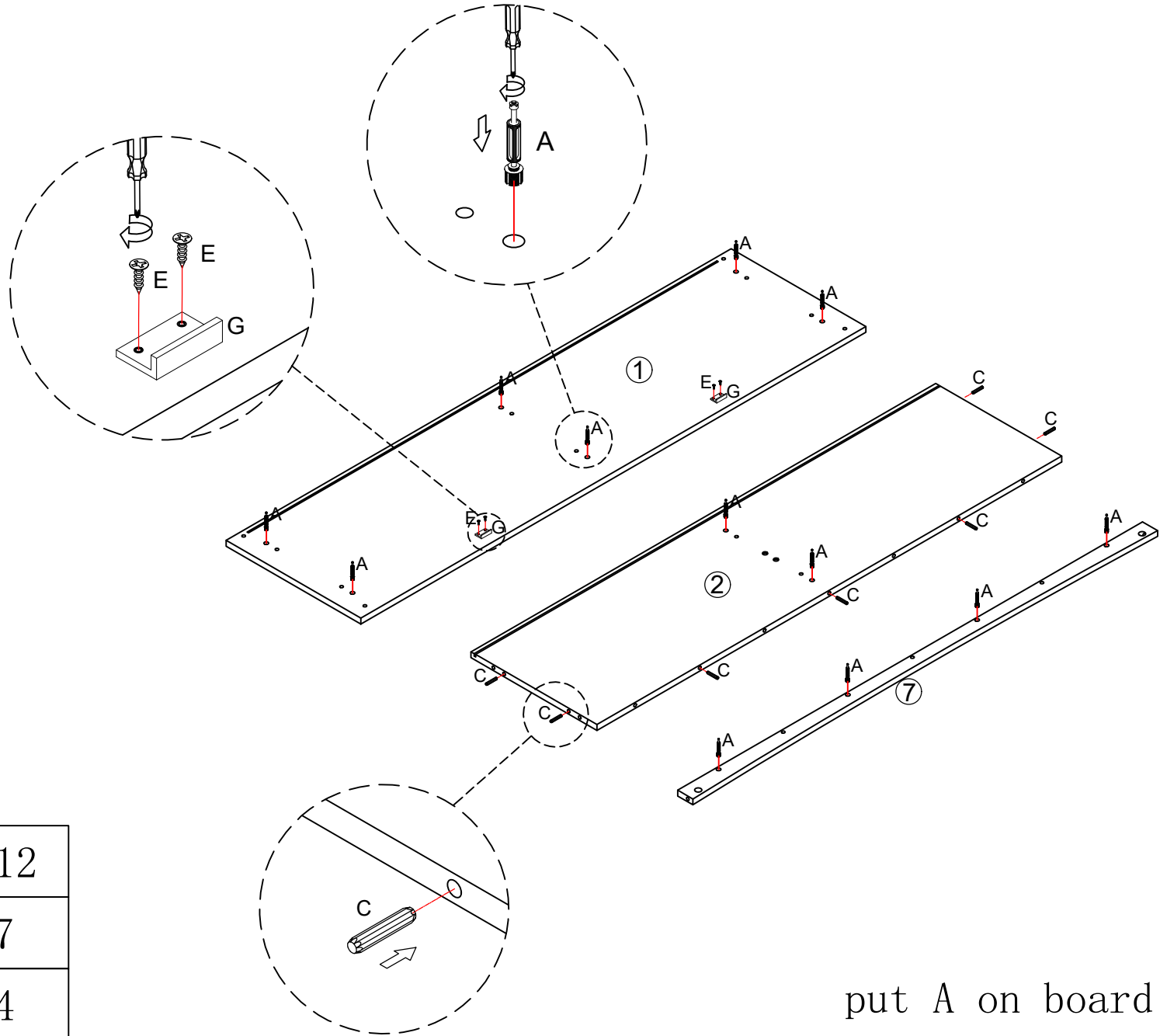



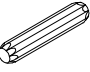


III



IV

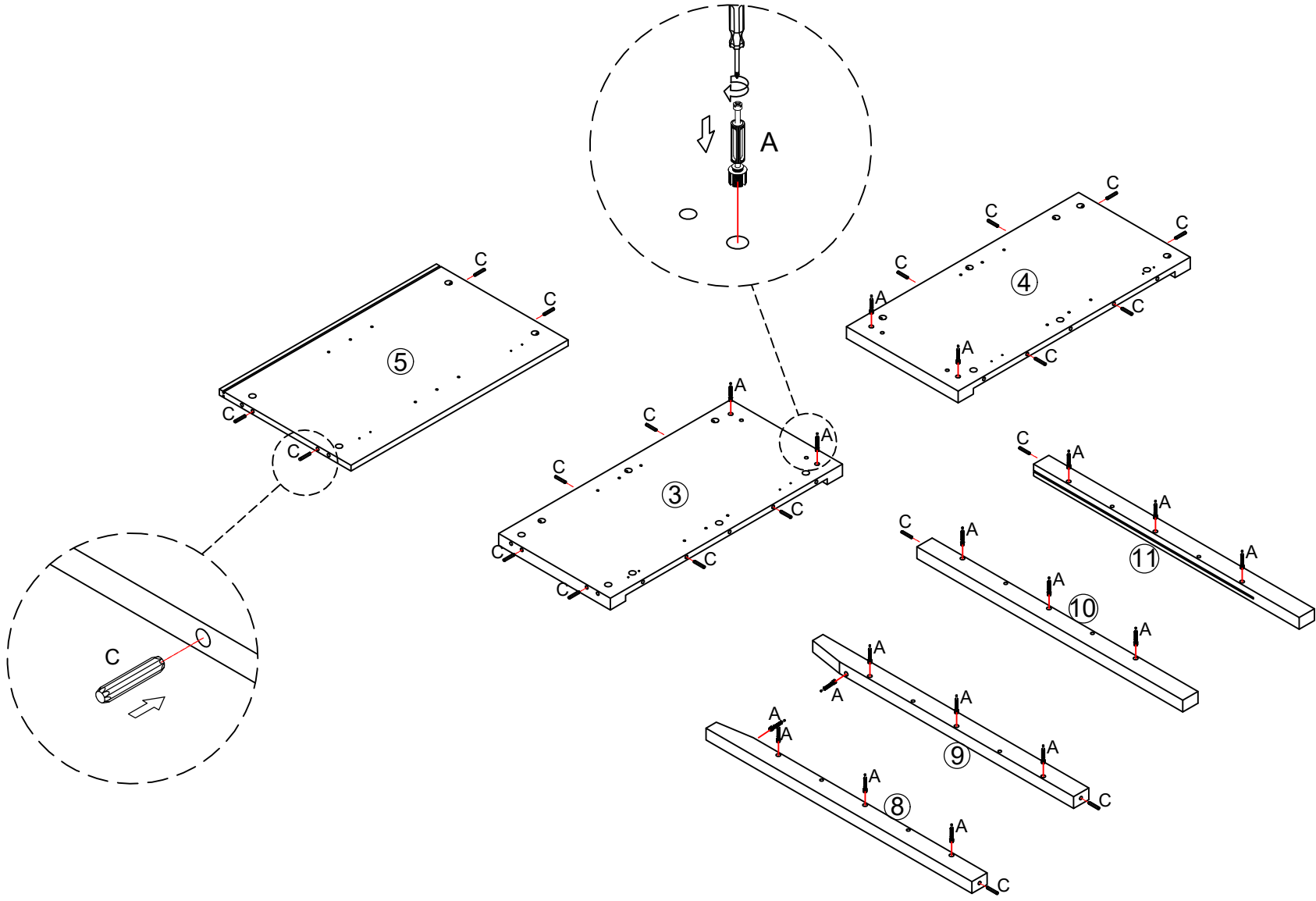
1


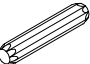


	A*12
	C*7
	E*4
	G*2

put A on board ①②⑦  
put C on board ②⑦

2

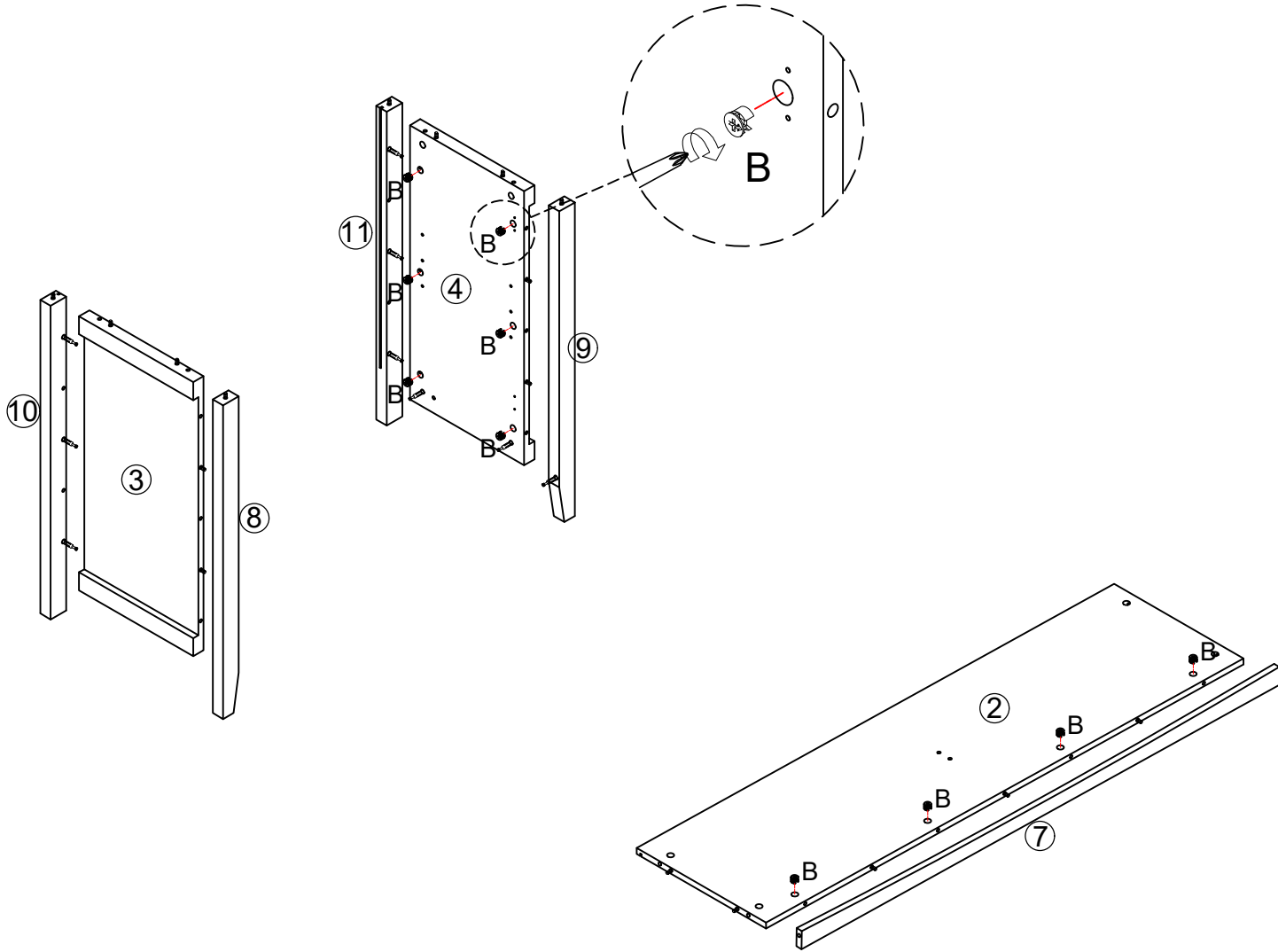


	A*18
	C*20

put A on board ③④⑧⑨⑩⑪  
put C on board ③④⑤⑧⑨⑩⑪

3

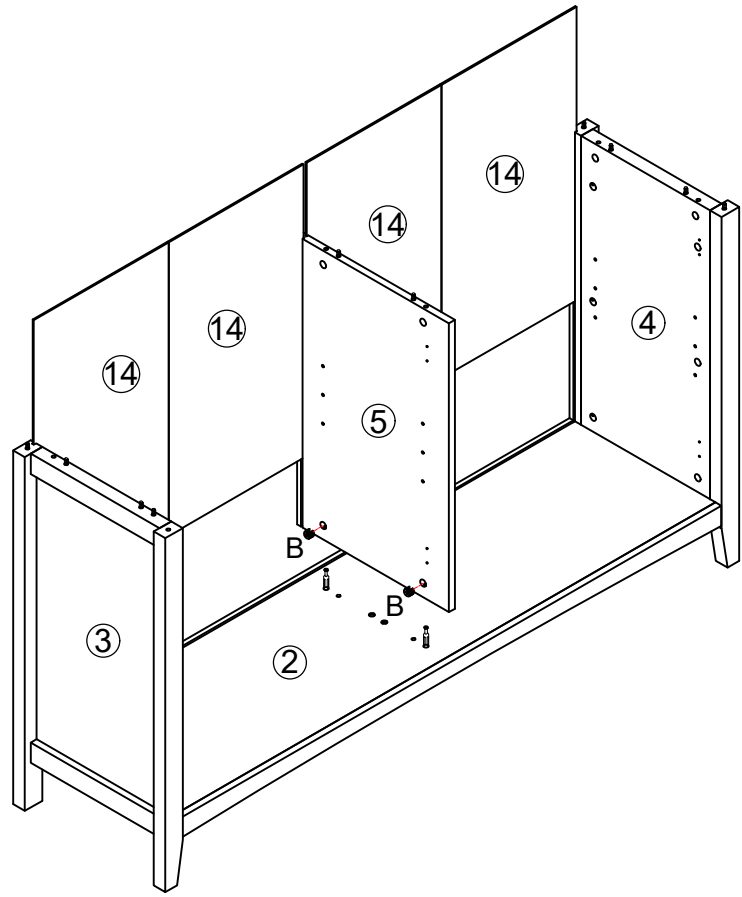
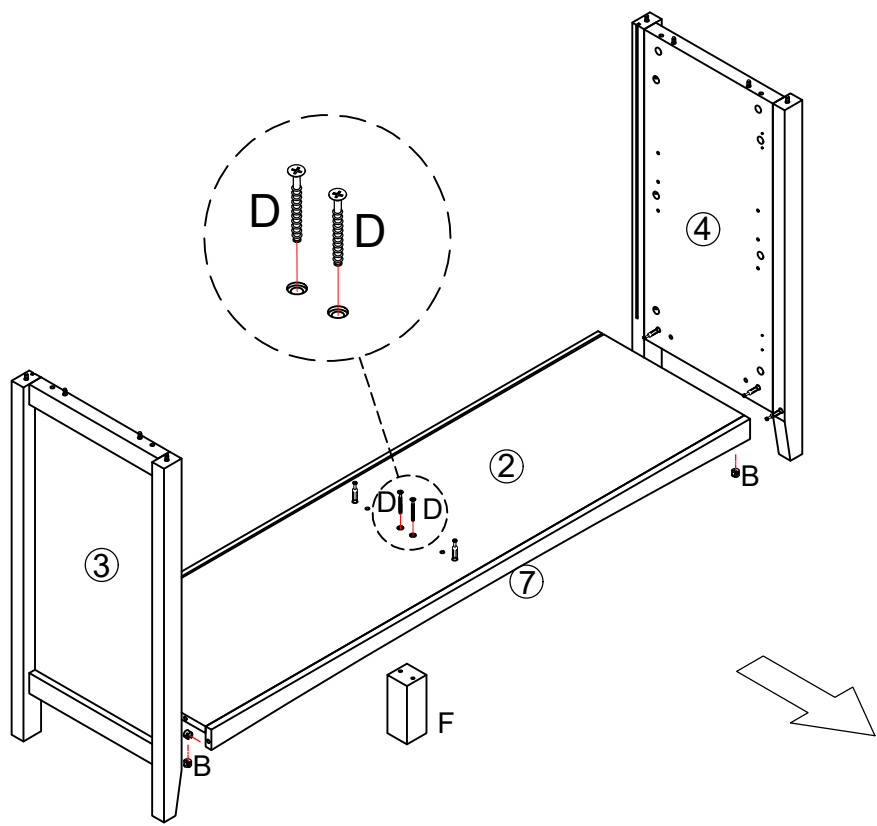
Make sure the arrow on the screw align to the hole on the side.





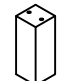
B\*16

put B on board ②③④

4

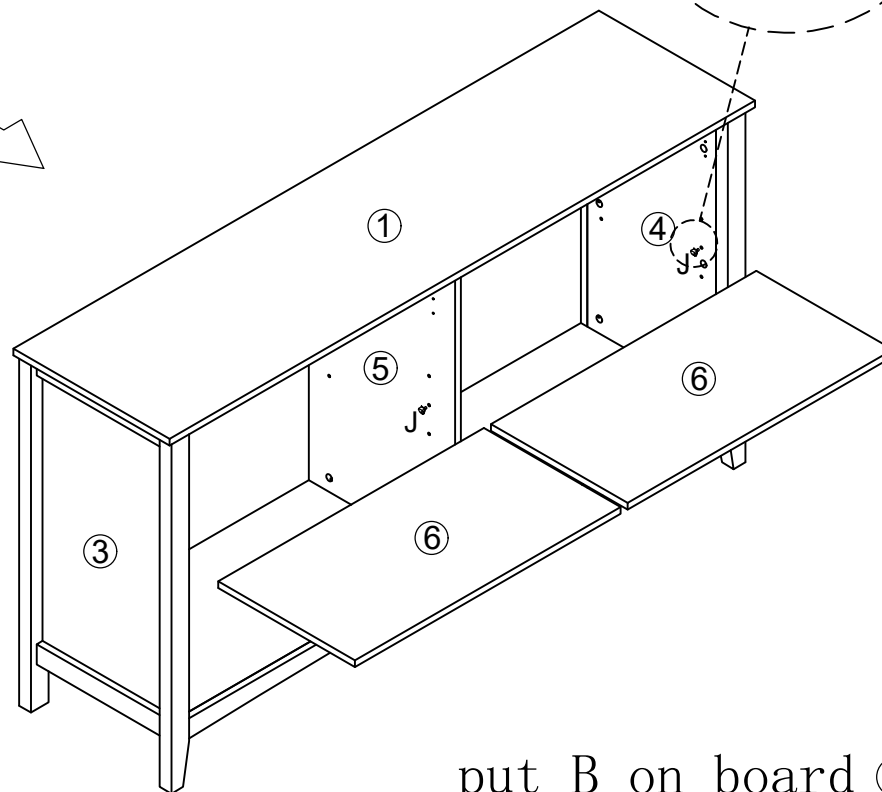
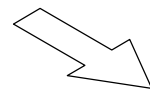
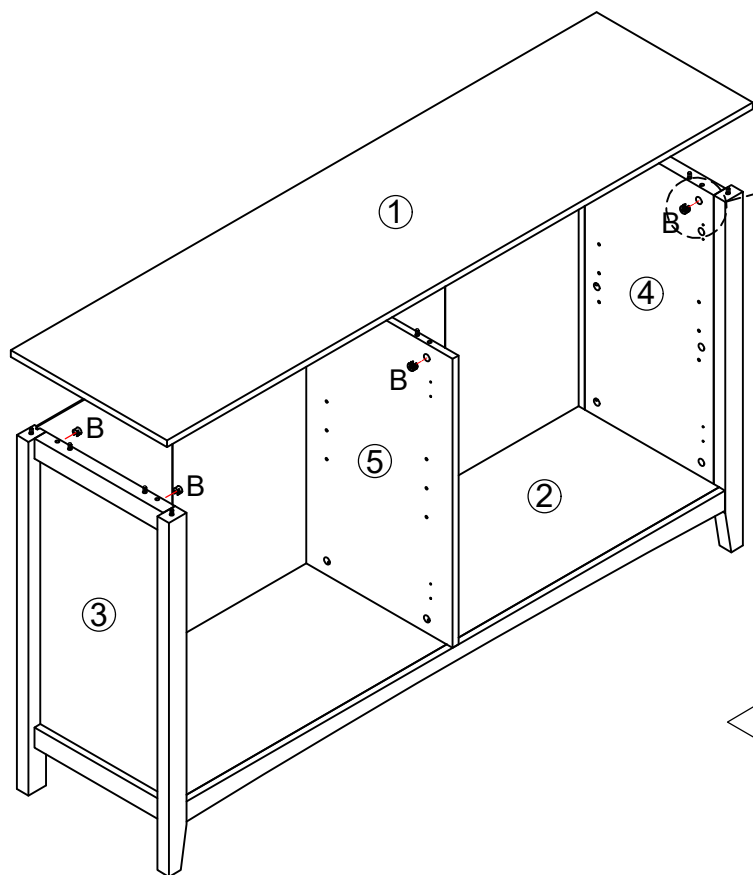


put B on board ②⑤⑦

	B*8
	D*2
	F*1

5

Make sure the arrow on the screw align to the hole on the side.



put B on board ③④⑤

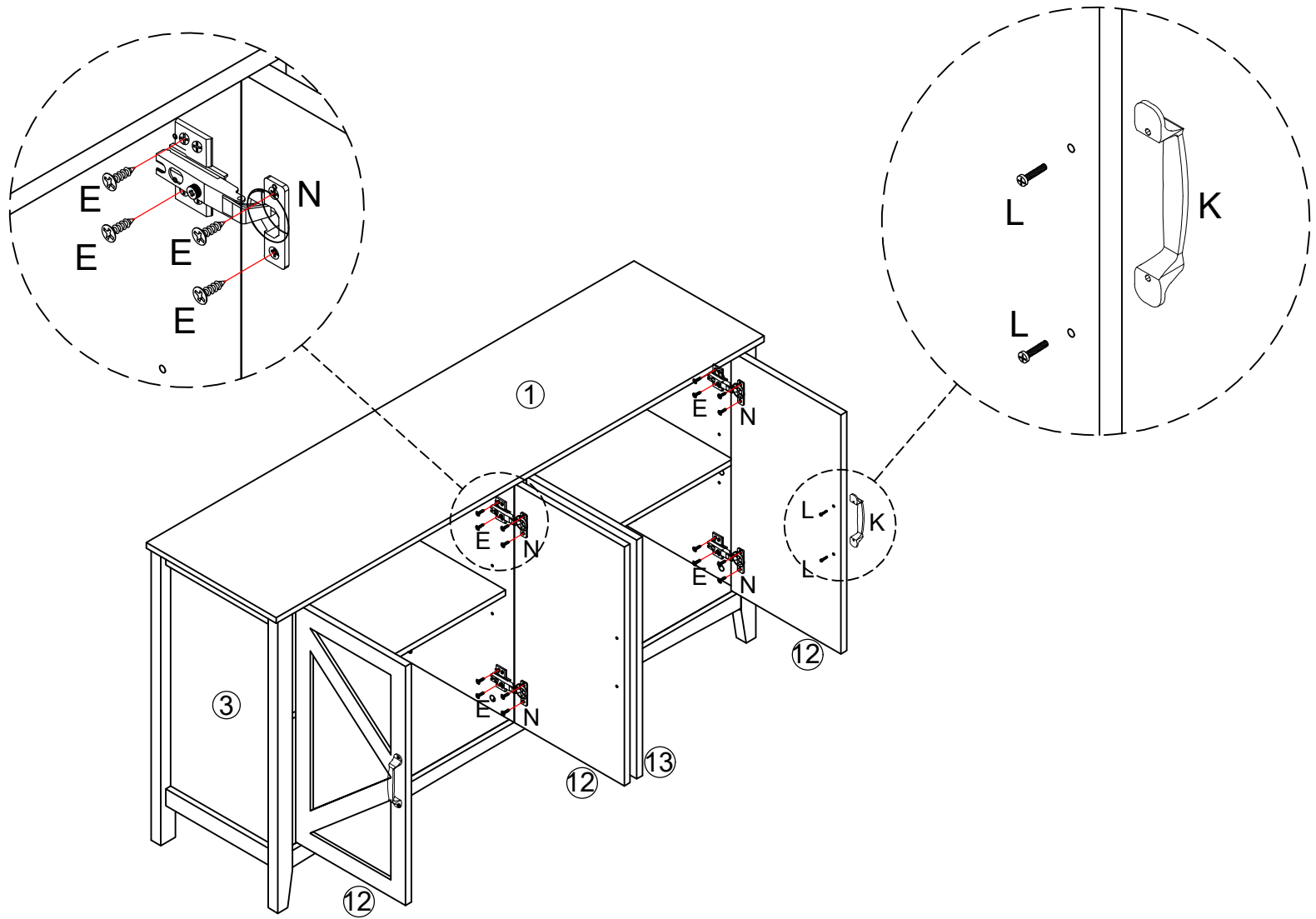


B\*6



J\*8

6



E\*48



K\*4

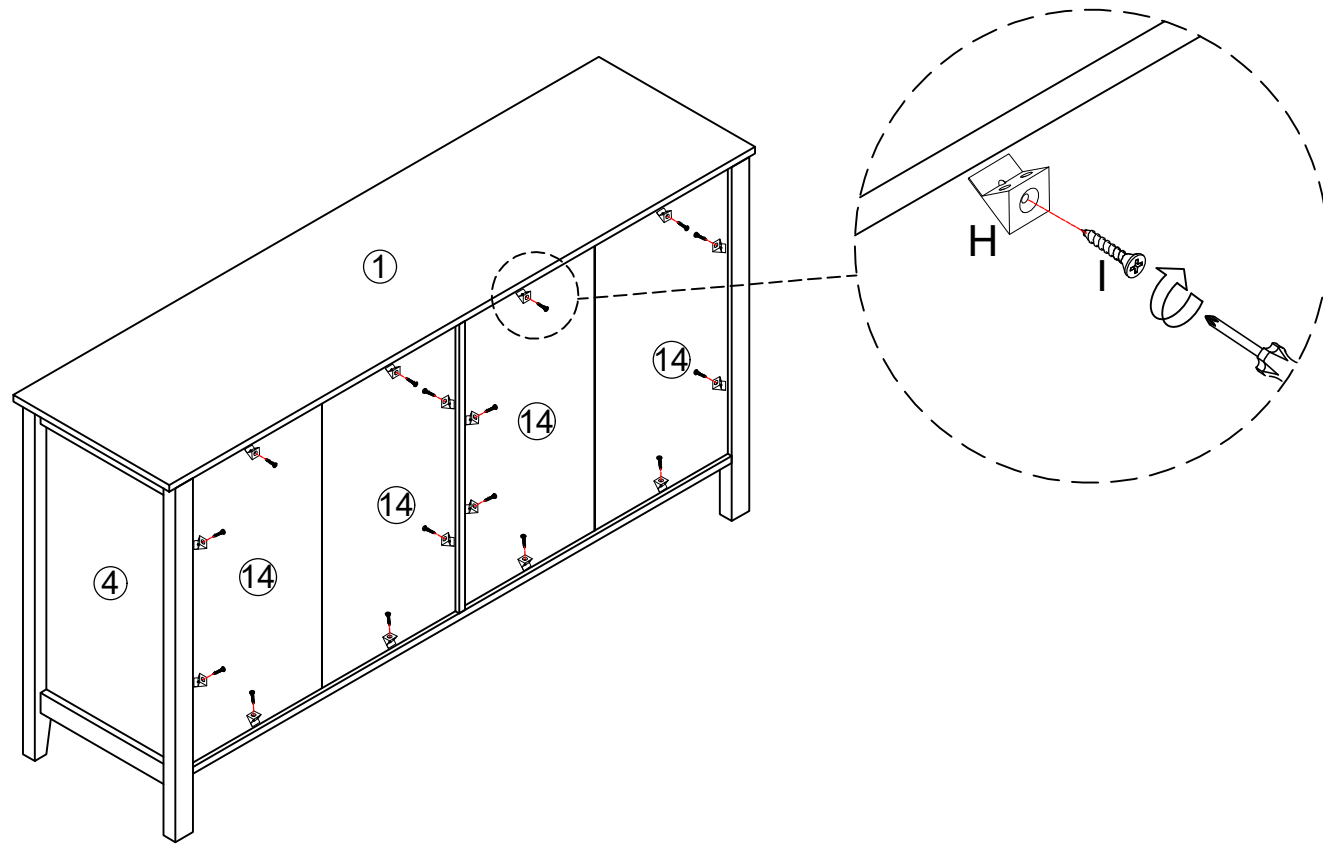


L\*8



N\*8

7

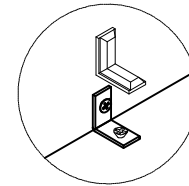
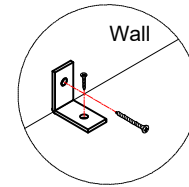
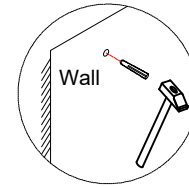
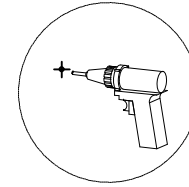
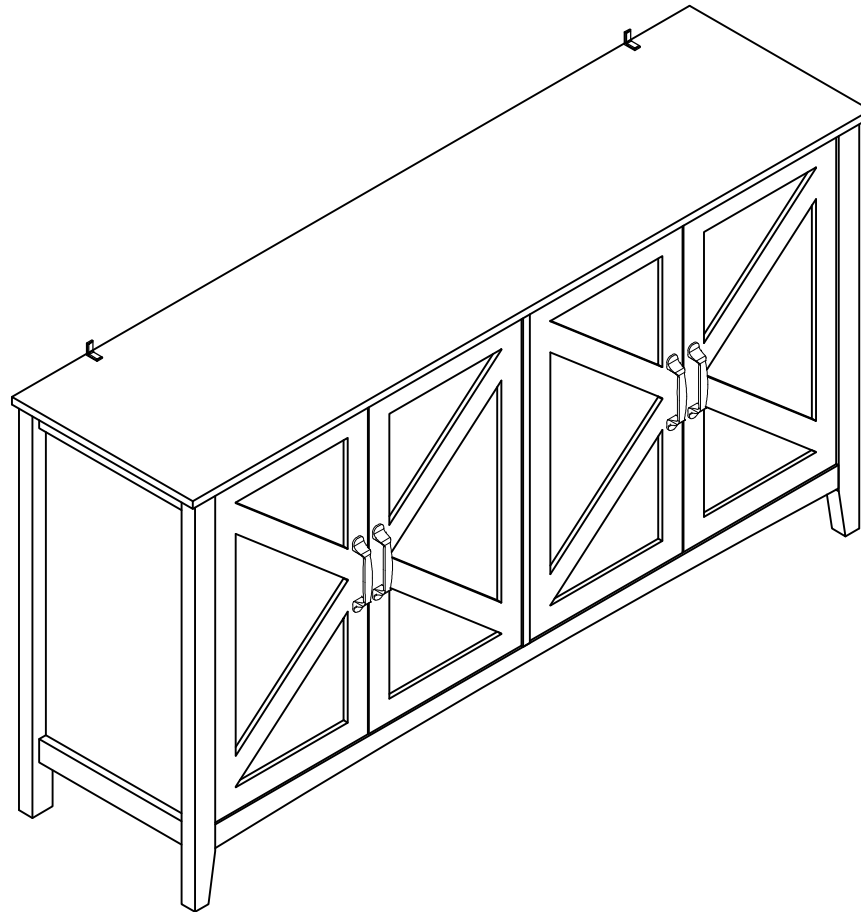


H\*16



I\*16

8



Please install tip-proof fitting.



M\*2

9

