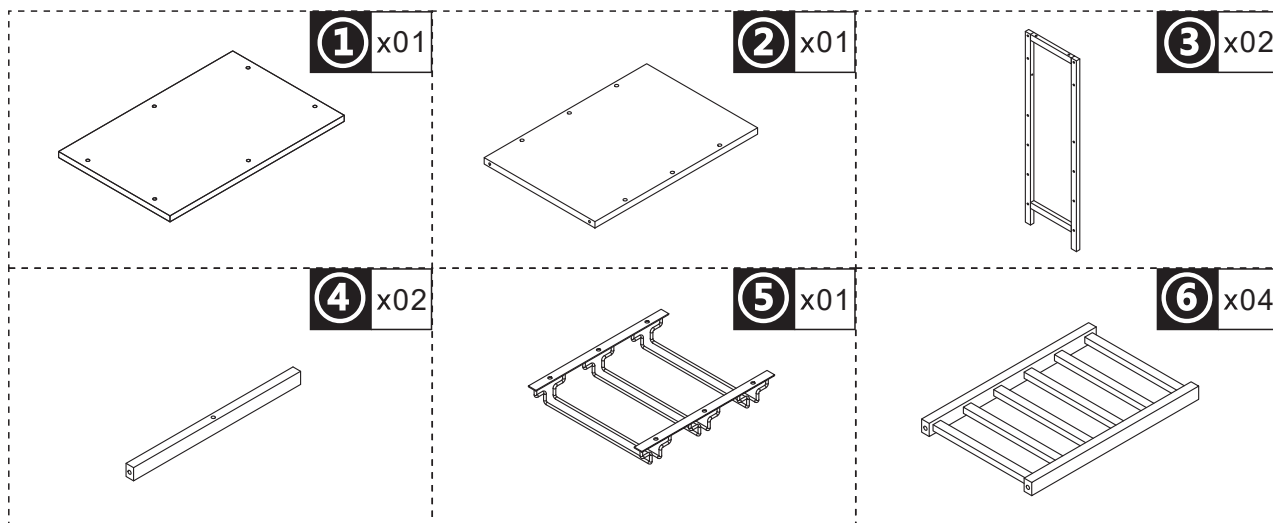


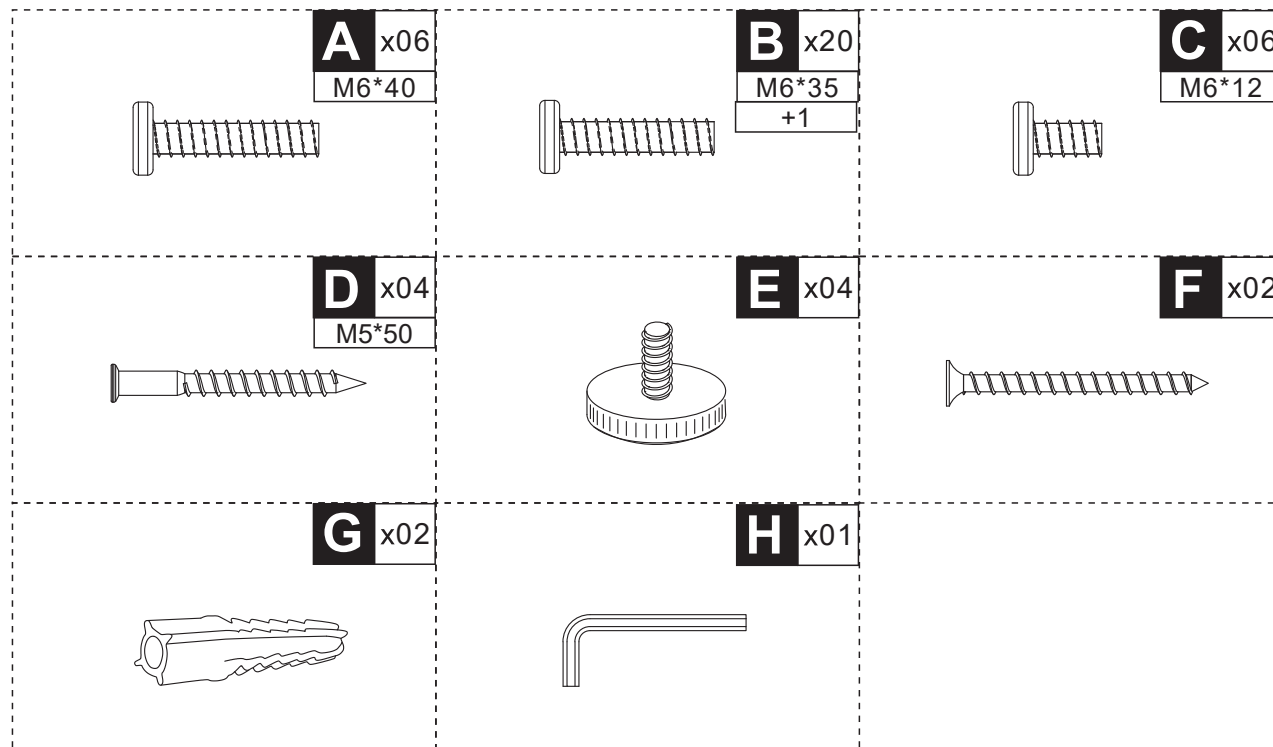
IMPORTANT, RETAIN FOR FUTURE REFERENCE: READ CAREFULLY

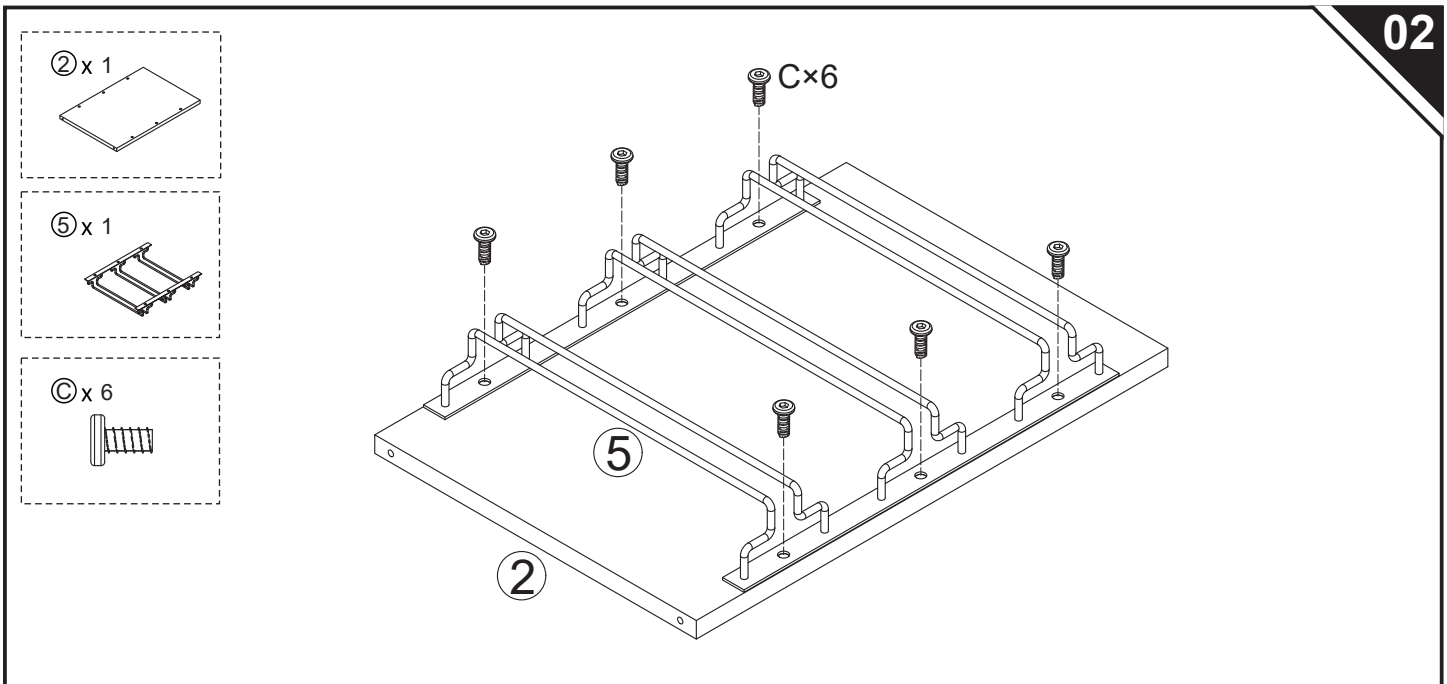
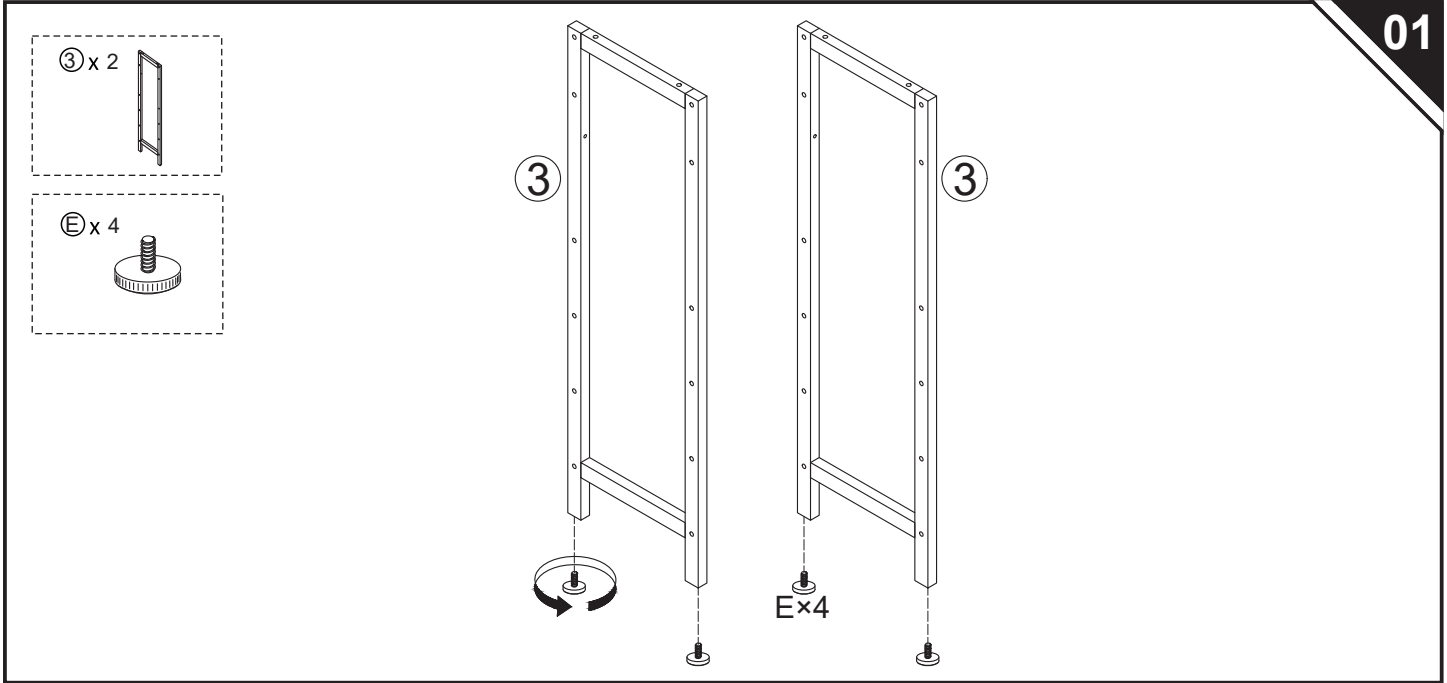
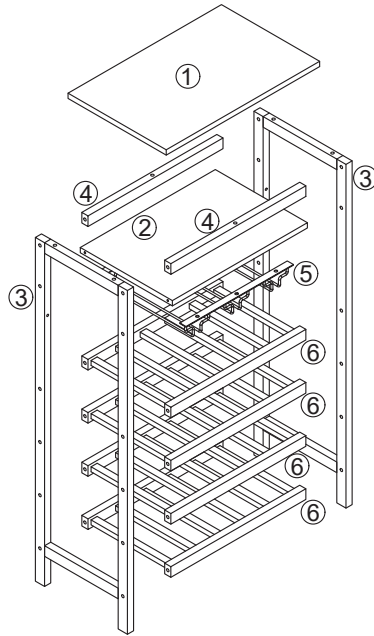
ASSEMBLY & INSTRUCTION MANUAL

PARTS



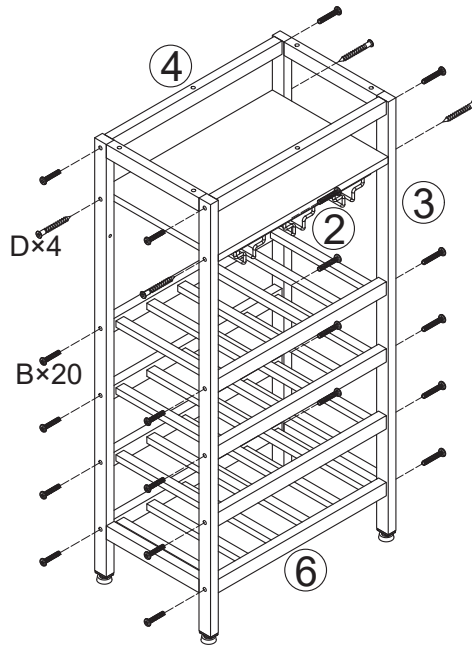
HARDWARE





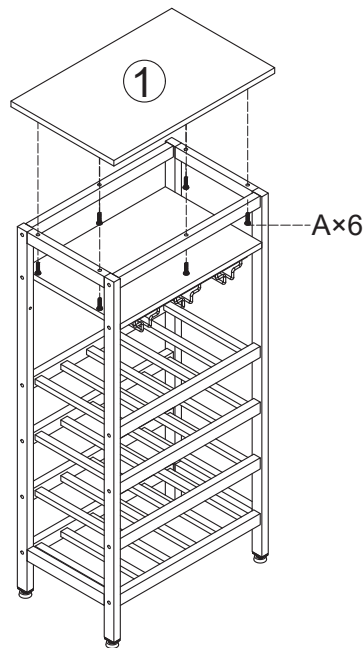
03

- ④ x 2
- ⑥ x 4
- ⓑ x 20
- ⓓ x 4



04

- ① x 1
- Ⓐ x 6



Done

- Ⓕ x 2
- Ⓒ x 2

