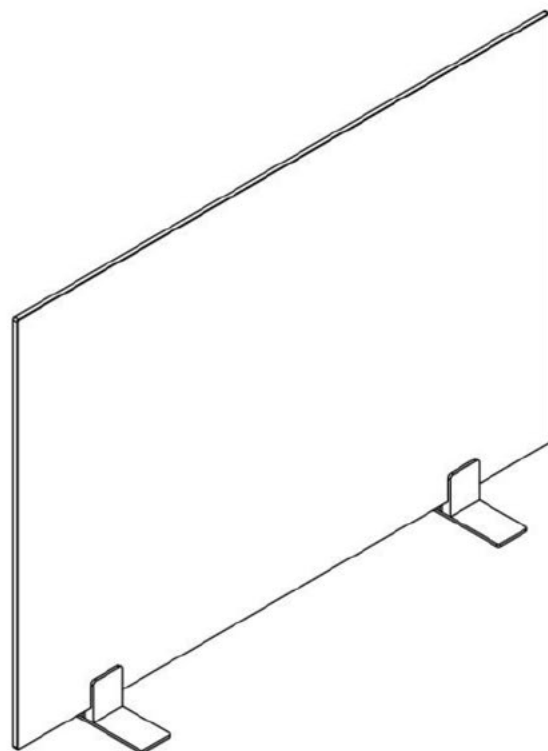


Home Office Patio

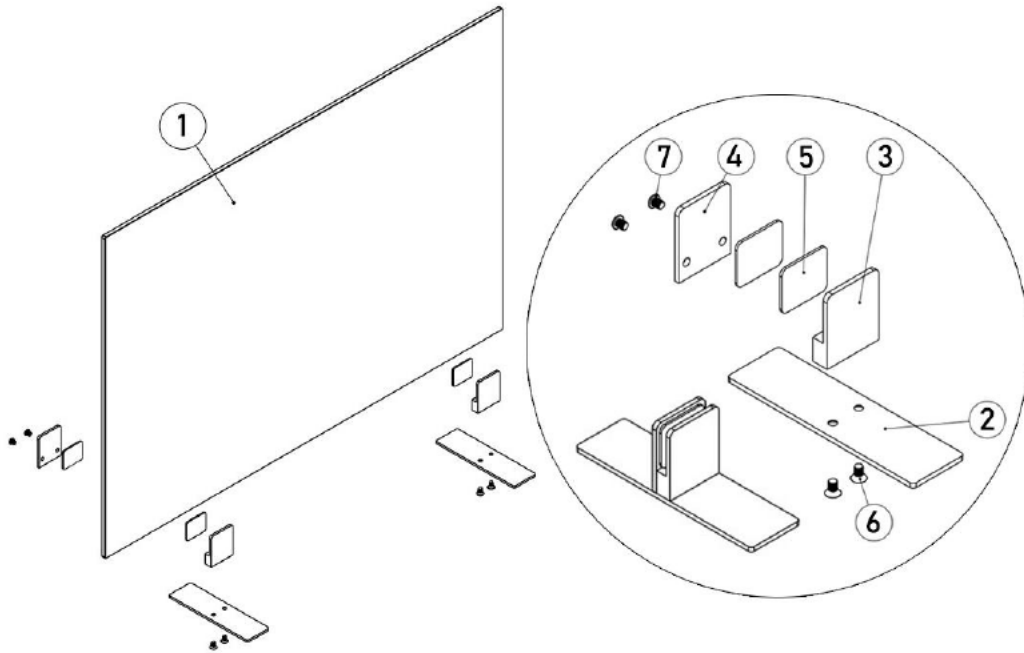
TEMPERED GLASS FIRE SCREEN



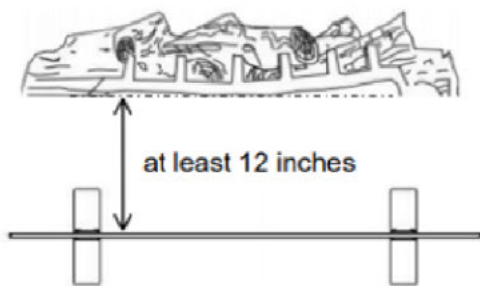
OWNER'S MANUAL AND SAFETY INSTRUCTIONS

SAVE THIS MANUAL. KEEP THIS MANUAL FOR SAFETY WARNINGS, PRECAUTIONS, ASSEMBLY, OPERATION, INSPECTION, MAINTENANCE AND CLEANING PROCEDURES. WRITE THE PRODUCT'S SERIAL NUMBER ON THE BACK OF THE MANUAL, OR THE MONTH AND YEAR OF PURCHASE IF PRODUCT HAS NO SERIAL NUMBER

PARTS / ASSEMBLY



No.	1	2	3	4	5	6	7
Name	Glass	Base	Fixing plate	Splint	Rubber pad	Flat head screw	Round head screw
Photo							
Quantity	1pcs	2pcs	2pcs	2pcs	4pcs	4pcs	4pcs



CAUTION: The distance between the fire and the firescreen should be at least 12 inches

CAUTION: DO NOT TOUCH GLASS WITH BARE HANDS WHEN FIRE IS BURNING

USE A PROTECTIVE GLOVE TO MOVE THE SCREEN IF A FIRE IS BURNING. OR JUST WAIT UNTIL THE FIRE IS EXTINGUISHED AND THE SCREEN HAS COOLED

NEVER PLACE THE FIRESCREEN FLUSH WITH THE OPENING, IT SHOULD NOT SEAL THE FIREPLACE OPENING. IF USED IN SUCH A MANNER, THE SCREEN COULD BREAK. WE RECOMMEND AT LEAST A 12 INCH GAP BETWEEN THE FIREPLACE OPENING AND THE FIRESCREEN TO MAKE SURE THERE IS ADEQUATE VENTILATION. THE SCREEN IS PRIMARILY USED AS A GUARD FOR POPPING EMBERS AND TO HELP IMPROVE FIREPLACE DRAFT.

IS NOT RESPONSIBLE FOR INCIDENTAL OR CONSEQUENTIAL DAMAGES WHICH MAY OR MAY NOT BE RELATED TO USE OF A FIRESCREEN. THESE INCLUDE, BUT ARE NOT LIMITED TO, BURNS, INJURY, CUTS, FIRE, INJURY OR EVEN DEATH. USE OF A FIRESCREEN IN NO WAY GUARANTEES PROTECTION FROM POPPING EMBERS WHICH MAY CAUSE AN ACTUAL FIRE; AND IF SUCH A FIRE OCCURS, HOMEFIRES WILL NOT BE LIABLE FOR ANY DAMAGES RESULTING. USE WITH CAUTION, ALWAYS KEEP AN EYE ON ANY OPEN FLAME IN THE HOME AND NEVER, UNDER ANY CIRCUMSTANCE, LEAVE A FIRE BURNING UNATTENDED.

DISCLAIMER

PLEASE READ THE FOLLOWING CAREFULLY

THE MANUFACTURER AND/OR DISTRIBUTOR HAS PROVIDED THE PARTS LIST AND ASSEMBLY DIAGRAM IN THIS MANUAL AS A REFERENCE TOOL ONLY. NEITHER THE MANUFACTURER OR DISTRIBUTOR MAKES ANY REPRESENTATION OR WARRANTY OF ANY KIND TO THE BUYER THAT HE OR SHE IS QUALIFIED TO MAKE ANY REPAIRS TO THE PRODUCT, OR THAT HE OR SHE IS QUALIFIED TO REPLACE ANY PARTS OF THE PRODUCT. IN FACT, THE MANUFACTURER AND/OR DISTRIBUTOR EXPRESSLY STATES THAT ALL REPAIRS AND PARTS REPLACEMENTS SHOULD BE UNDERTAKEN BY CERTIFIED AND LICENSED TECHNICIANS, AND NOT BY THE BUYER. THE BUYER ASSUMES ALL RISK AND LIABILITY ARISING OUT OF HIS OR HER REPAIRS TO THE ORIGINAL PRODUCT OR REPLACEMENT PARTS THERETO, OR ARISING OUT OF HIS OR HER INSTALLATION OF REPLACEMENT PARTS THERETO.

Record Product's Serial Number Here: _____

Note: If product has no serial number, record month and year of purchase instead.

Note: Some parts are listed and shown for illustration purposes only and are not available individually as replacement parts.

The material in this manual is for informational purposes only. The product(s) it describes are subject to change without prior notice, due to the manufacturer's continuous development program. Barton makes no representations or warranties with respect to this manual or with respect to the products described herein. Barton shall not be liable for any damages, losses, costs or expenses, direct, indirect or incidental, consequential or special, arising out of, or related to the use of this material or the products described herein.