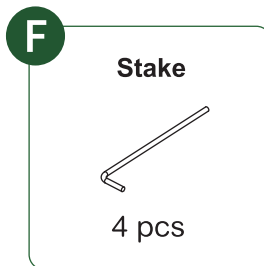
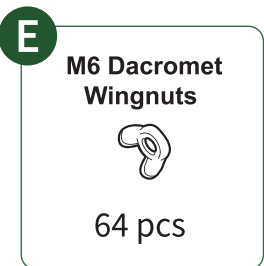
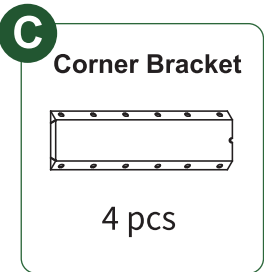
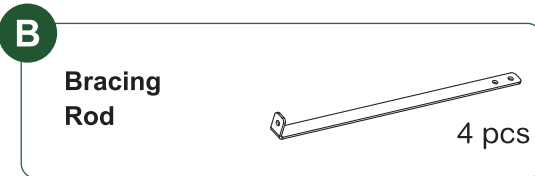
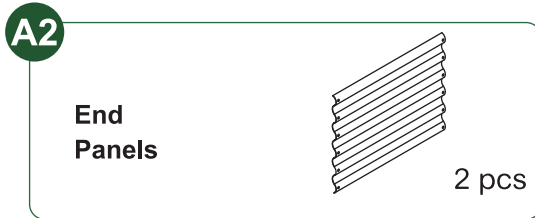
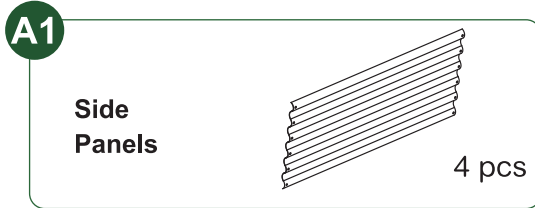


## PACKING LIST



Anleolife provides different shapes, different lengths & heights, different colors, you can do more with your great imagination.

	ANG001	ANG002	ANG003	ANG004
Shape	Oval	Oval	Oval	Oval
Diamention	72"x36"x24"H	72"x36"x24"H	96"x48"x24"H	96"x48"x24"H
Capacity	269 Gal.	269 Gal.	478 Gal.	478 Gal.
Color	Quartz Grey	Antique White	Quartz Grey	Antique White
Material	Galvanized Steel	Galvanized Steel	Galvanized Steel	Galvanized Steel
Open Bottom	√	√	√	√
Weatherproof	√	√	√	√
Anti-Rust	√	√	√	√
Package	1 Pack	1 Pack	1 Pack	1 Pack

	ANG005	ANG006	ANG007	ANG009
Shape	Round	Round	Retangular	Retangular
Diamention	48"x48"x18"H	48"x48"x18"H	96"x48"x18"H	72"x36"x18"H
Capacity	179 Gal.	179 Gal.	359 Gal.	202 Gal.
Color	Quartz Grey	Antique White	Quartz Grey	Quartz Grey
Material	Galvanized Steel	Galvanized Steel	Galvanized Steel	Galvanized Steel
Open Bottom	√	√	√	√
Weatherproof	√	√	√	√
Anti-Rust	√	√	√	√
Package	2 Pack	2 Pack	1 Pack	1 Pack

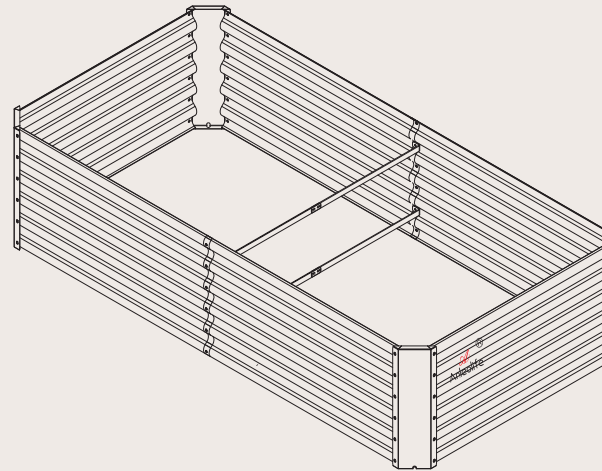
	ANG010	ANG011	ANG012	ANG013
Shape	Oval	Oval	Oval	Oval
Diamention	72"x24"x18"H	96"x48"x18"H	144"x36"x18"H	144"x36"x18"H
Capacity	135 Gal.	359 Gal.	404 Gal.	404 Gal.
Color	Quartz Grey	Quartz Grey	Quartz Grey	Antique White
Material	Galvanized Steel	Galvanized Steel	Galvanized Steel	Galvanized Steel
Open Bottom	√	√	√	√
Weatherproof	√	√	√	√
Anti-Rust	√	√	√	√
Package	1 Pack	1 Pack	1 Pack	1 Pack



Enjoy Your Garden Time



Anleolife®



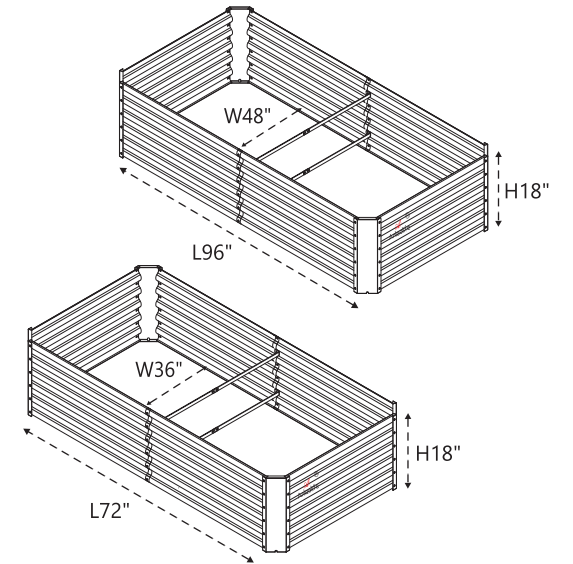
## INSTRUCTION MANUAL

Galvanized Raised Garden Bed  
ANG007/ANG009



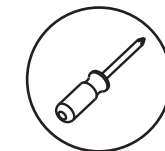
## Rectangular Raised Garden Bed Instructions for Assembly

**Dimensions** L96" x W48" x H18"  
L72" x W36" x H18"



DUE TO THE MANUFACTURING PROCESS BED SIZING MAY VARY +/-2"(50MM)

## TOOLS PROVIDED



Screwdriver



A pair of gloves



1 PERSON  
ASSEMBLY

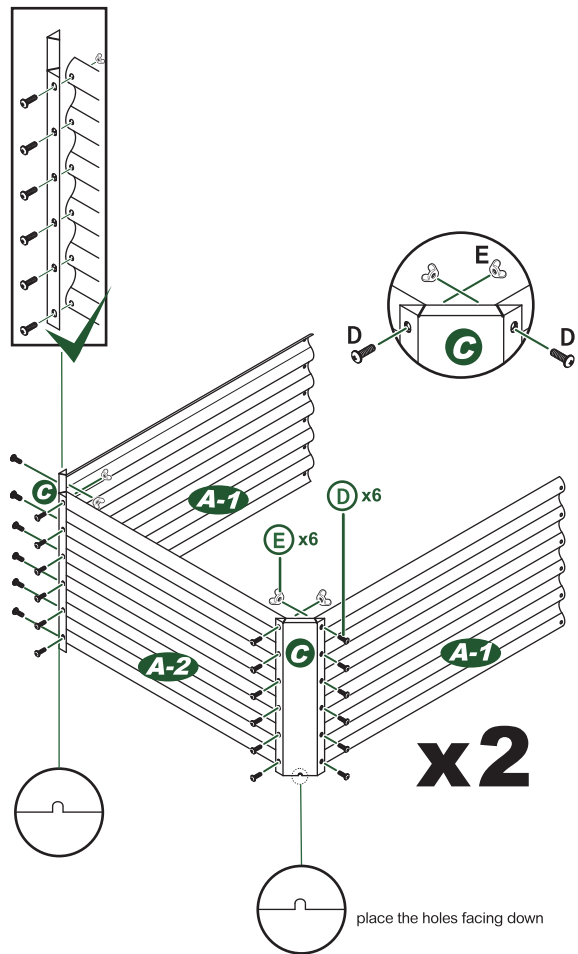
UP TO 45 MIN.  
ASSEMBLY

Color your Gardenlife

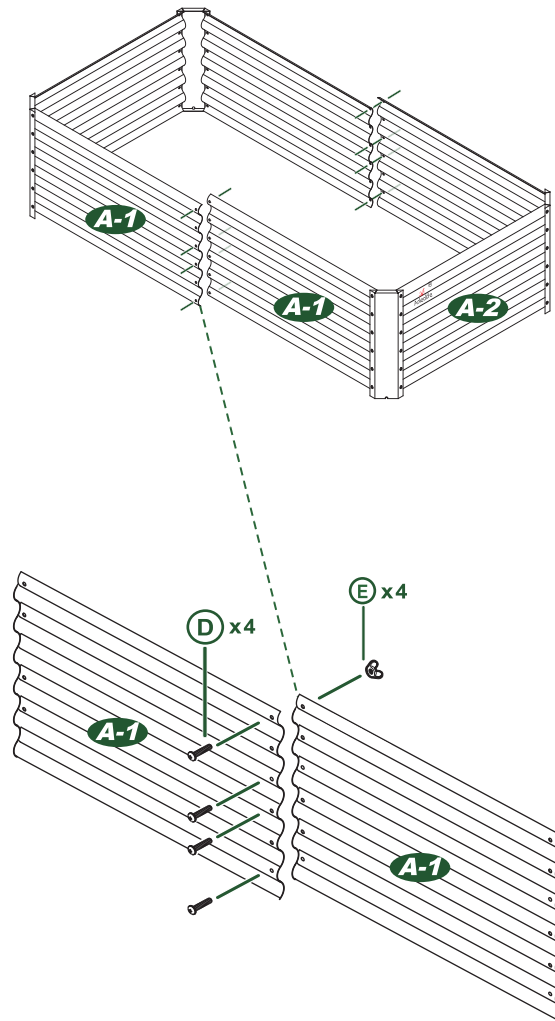
Color your Gardenlife

## ASSEMBLY STEPS:

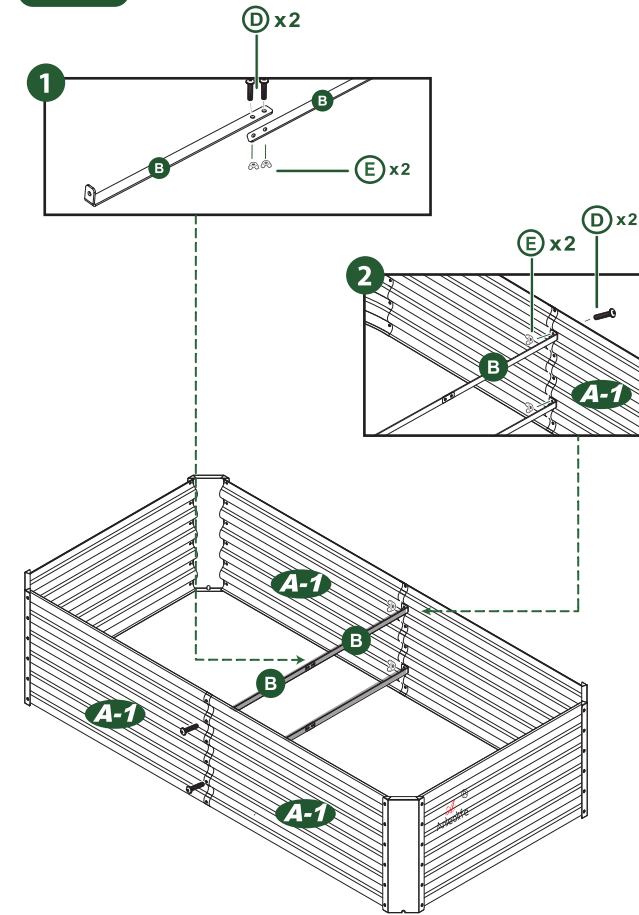
**1** Attach two A-1 side panels and one A-2 end panel to two C corner brackets (place the holes facing down), secure them with twelve D screws and twelve E wingnuts for each brackets. Repeat to assemble the other end.



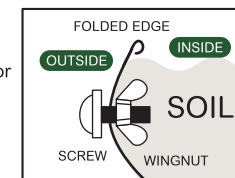
**2** Tighten the two halves garden beds, leave the 2nd and 5th connector holes empty.



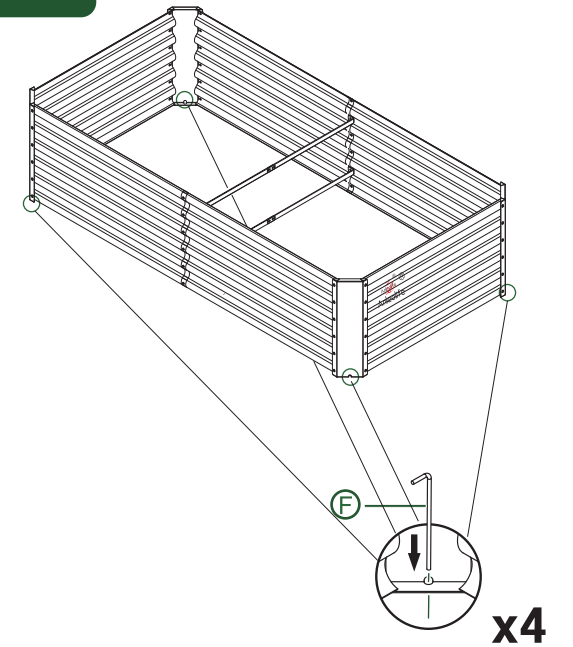
**3** Secure four bracing rods in the 2nd and 5th connector holes.



Make sure to keep the wingnuts inside and the screws outside, tighten them for reinforcement. Failure to tighten the wingnuts and screws to its maximum may cause failure



**4** Secure the brackets with four F ground stakes, one stake per hole.



### HELP CENTER

If you need any help, please feel free to contact us anytime. We are here to help. Visit us at: [www.anleolifeshop.com](http://www.anleolifeshop.com)



### NOTICE

- Do not stand on or use any part of this item as a step ladder.
- Firmly secure all bolts, screws before use.
- Reconfirm that all bolts, screws, and knobs are secure every 90 days.
- Be aware that some parts are heavy, the protective equipment such as closed toe shoes is recommended, a pair of gloves is provided.
- If any parts are missing, broken, damaged, or worn, stop using this product until repairs are made and/or factory replacement parts are installed.
- Do not use this item in a way inconsistent with the manufacturer's instructions.