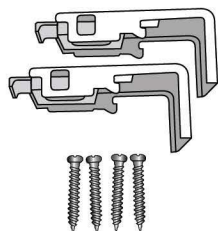


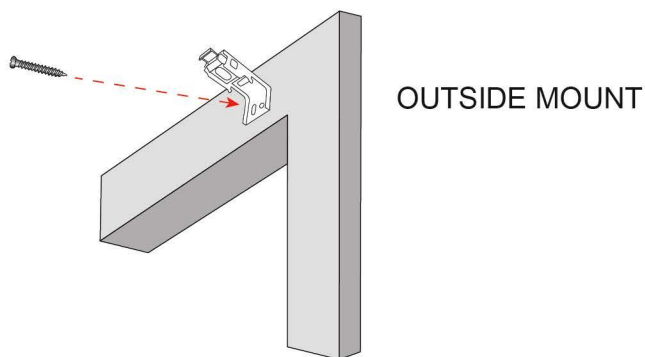
Roman Shade Installation Instructions

Mounting Hardware Included

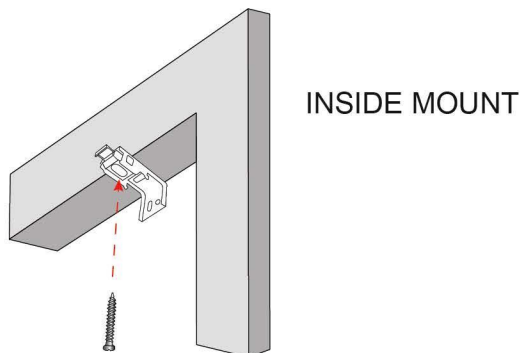


Two L-brackets and four screws

Mounting the Brackets for your Shade:

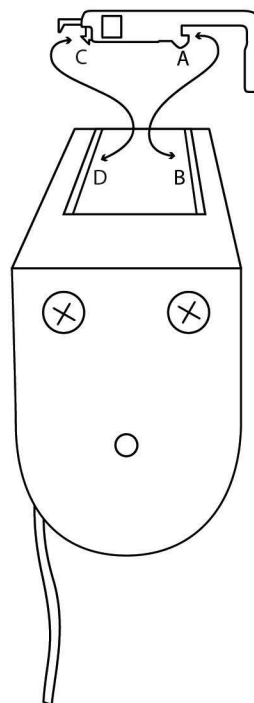


Place the bracket above the window as shown in the diagram and at least 3" away from the end of the headrail. Screw in the bracket. Repeat this step to install the bracket on the other side.



Place the bracket inside the window frame as shown in the diagram and at least 3" away from the end of the headrail. Screw in the bracket. Repeat this step to install the bracket on the other side.

Attaching the Head Rail to the Brackets



1. Slide back rail (B) onto the back catch of the bracket (A) which has been mounted to the window frame.

2. Roll the front rail (D) of the shade up to the front catch of the bracket (C). Push in the plastic piece and then release once the rail is in place.

Adjusting the Tension On Your Shade:

You can adjust your Roman Shade if it has too much tension (springs up too quickly) or too little tension (reaches the top too slowly). For your convenience 2 dials have been incorporated into the headrail.

If you use the dial on the left as shown in the below illustration, when you turn the dial down towards the floor it will increase the speed of the shade and if you turn the dial up towards the ceiling it will decrease the speed of the shade.

If you use the dial on the right side, when you turn the dial down towards the floor it will decrease the speed of the shade and turning the dial up towards the ceiling will increase the speed of the shade.

