

ASSEMBLY INSTRUCTIONS

PLEASE KEEP THIS FOR FUTURE REFERENCE

MEDIA UNIT

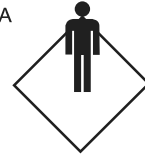
1.0 hr

APPROXIMATE ASSEMBLY TIME

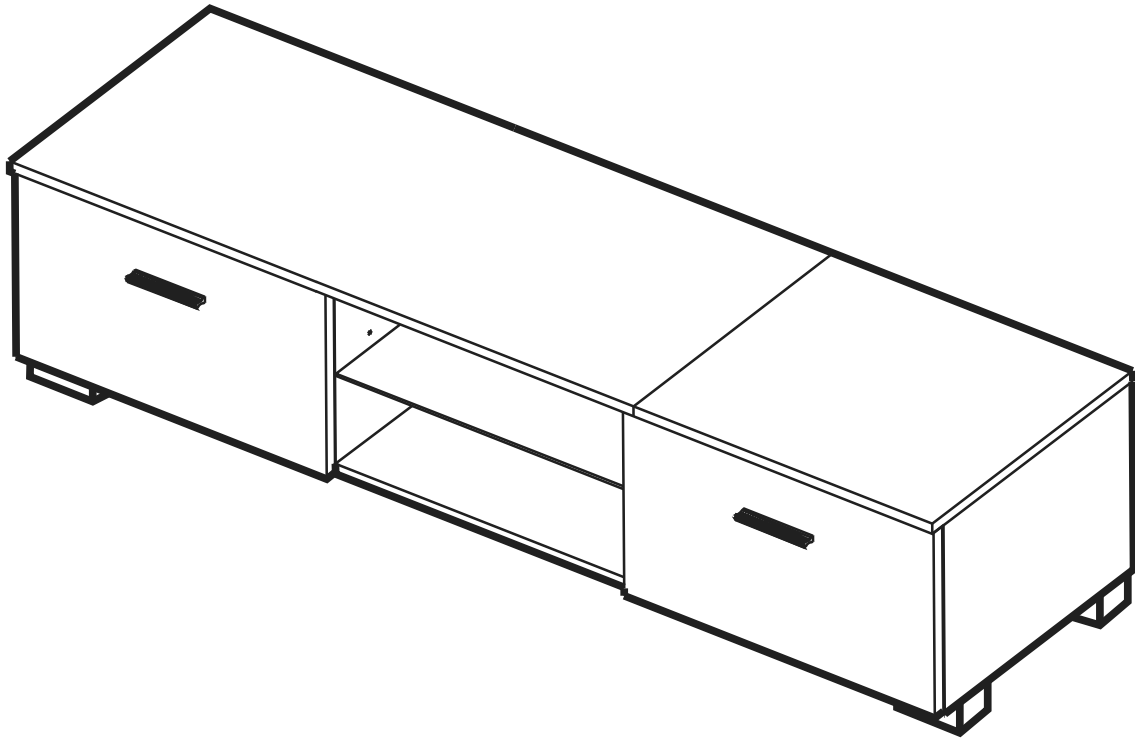
1 PERSON ASSEMBLY



FLOOR AREA
2.0M X2.0M



REQUIRED ASSEMBLY SPACE



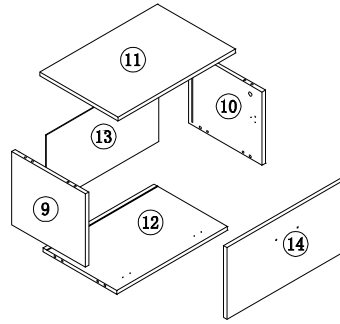
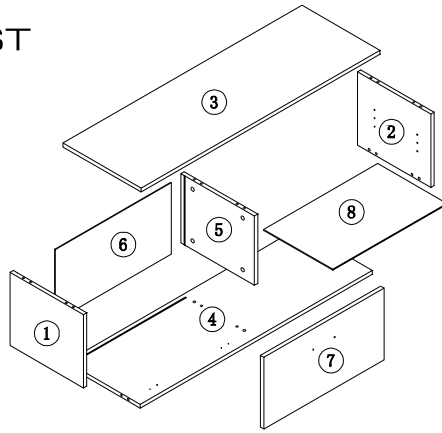
Top Tips before you start!

1. Please check that all parts are present before you start the assembly of your furniture.
2. For ease and speed of assembly, we recommend that before you commence each step of the assembly, that you identify all the parts required for that step.
3. For larger items, please ensure that you have sufficient space and people (as indicated on page 1) to assemble your product safely
4. We recommend that, where possible, all items are assembled near to the area in which they will be placed in use, to avoid moving the product unnecessarily once assembled.
5. For the protection of your furniture, particularly items of high gloss finish, we recommend that the product is placed on a protected surface during assembly to prevent any damage.
6. During assembly please take care not to over-tighten any fittings, as this may damage the product.
7. Do not use power tools to assemble any part of this cabinet.

Care and Maintenance of your Furniture

- Please periodically check all fittings and re-tighten as necessary.
- Please do not sit or stand on this item.
- Never allow any kind of liquid to remain on your furniture, Absorption can cause wood to warp or finishes to de-laminate
- Please do not drag and pull your furniture.
- If the glass is chipped or broken, stop using the product and consult the manufacturer or supplier.
- Please do not place very hot or very cold items on the glass surface, unless adequately thick table mats are used to prevent such items from coming into contact with the glass.
- Please do not use the glass as a chopping surface. Do not strike the glass with hard or pointed items.
- When cleaning glass panels use a damp cloth or leather with washing up liquid or soft soap if necessary, do not use washing powders or any other substances containing abrasives since these substances scratch glass.
- The glass used in this product is toughened and complies with BS EN 12150-1:2000, clauses 8.3 & 8.4

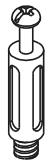
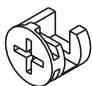
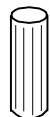

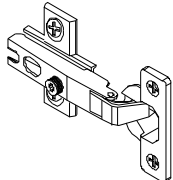
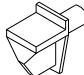
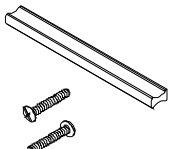
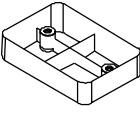

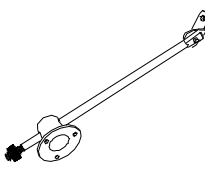
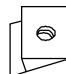
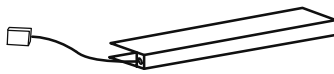
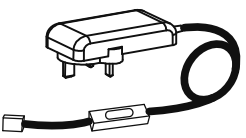
PARTS LIST



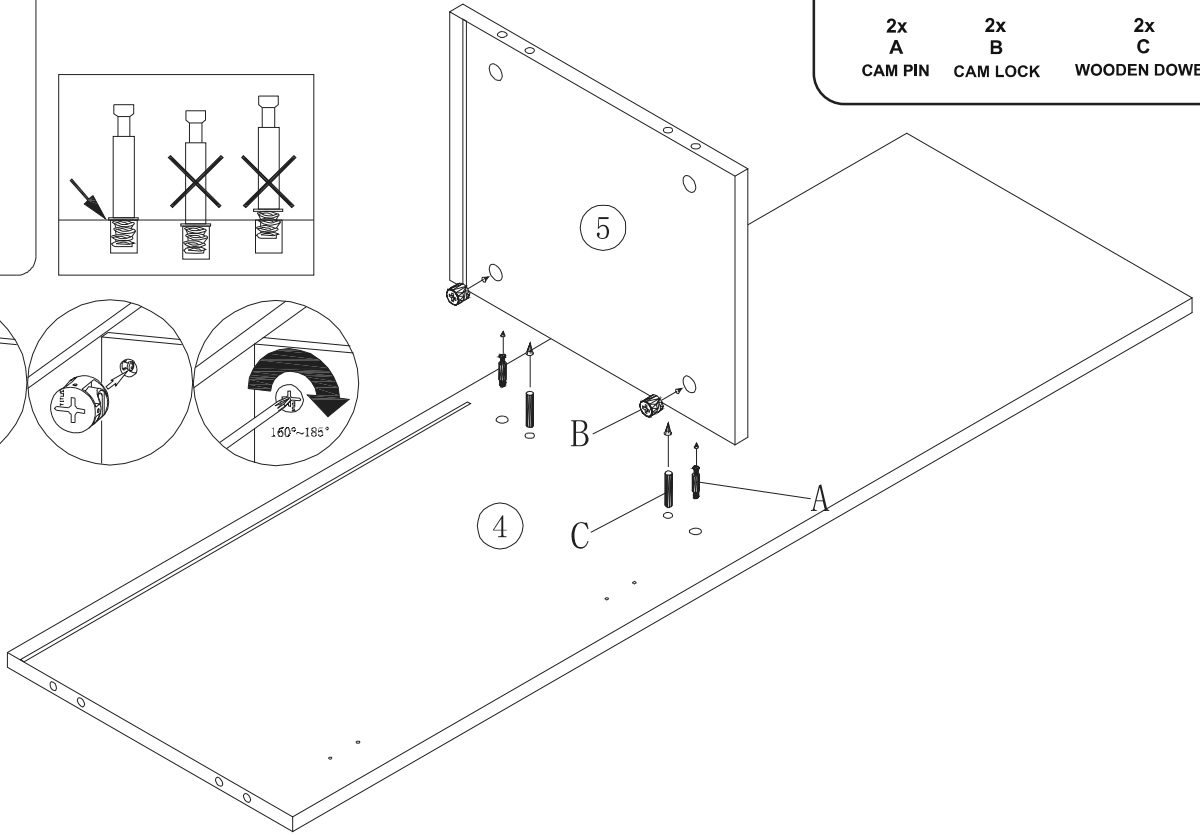
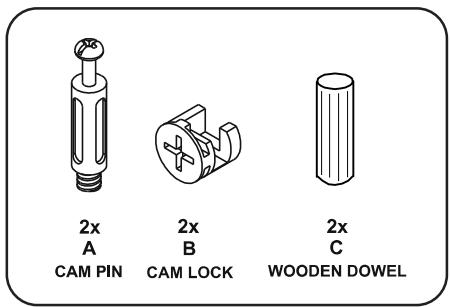
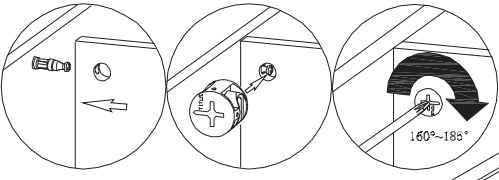
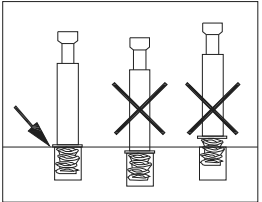
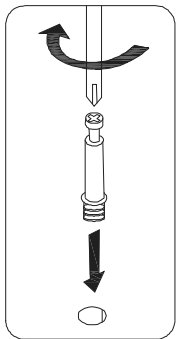
PART No.	PART DESCRIPTION	Qty.
①	LEFT HAND SIDE PANEL 1	1
②	RIGHT HAND SIDE PANEL 1	1
③	TOP PANEL (LARGE)	1
④	BASE PANEL (LARGE)	1
⑤	MIDDLE PANEL	1
⑥	REAR PANEL 1	1
⑦	LEFT HAND DOOR FRONT	1
⑧	GLASS SHELF	1

PART No.	PART DESCRIPTION	Qty.
⑨	LEFT HAND SIDE PANEL 2	1
⑩	RIGHT HAND SIDE PANEL 2	1
⑪	TOP PANEL (SMALL)	1
⑫	BASE PANEL (SMALL)	1
⑬	REAR PANEL 2	1
⑭	RIGHT HAND FRONT DOOR	1

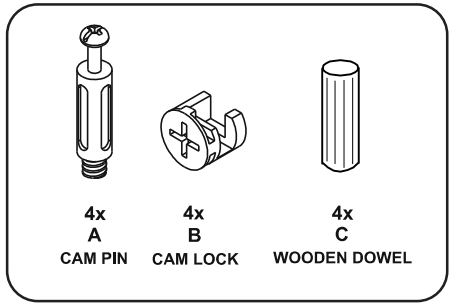
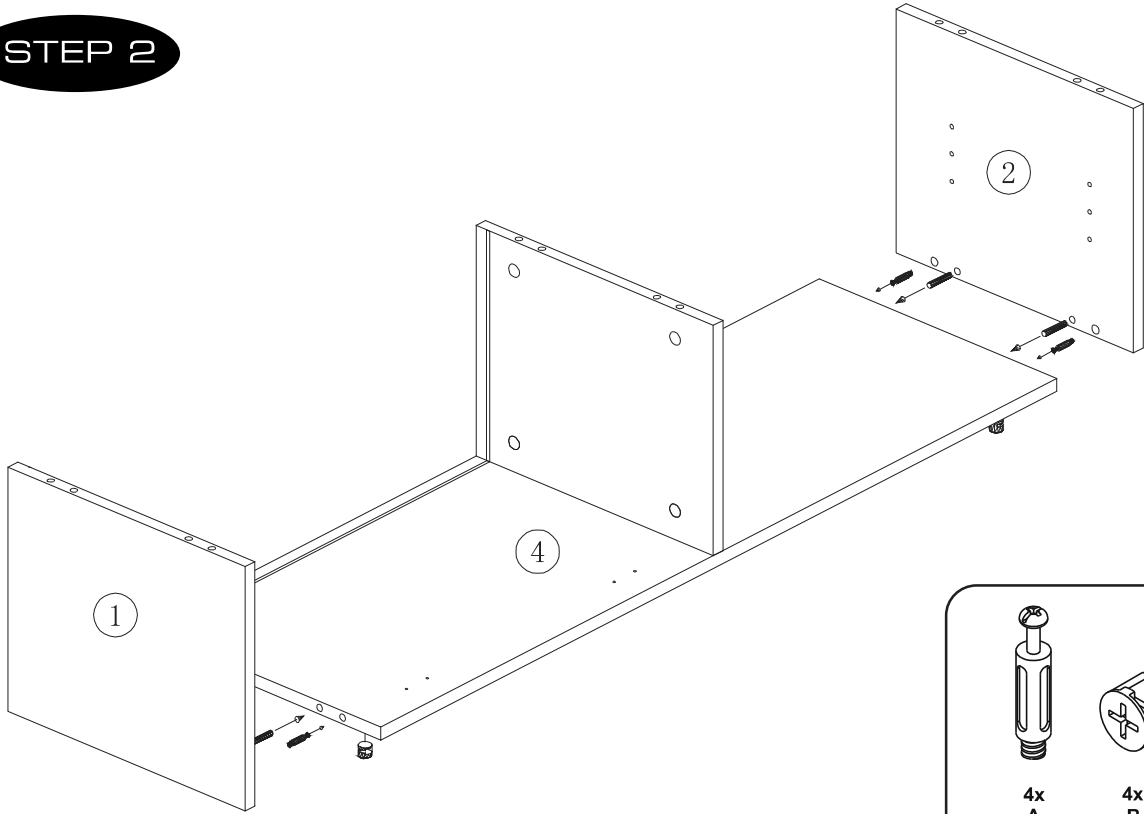
HARDWARE LIST

						
20x A CAM PIN	20x B CAM LOCK	20x C WOODEN DOWEL	42x D SCREW	4x E DOOR HINGE	4x F SHELF SUPPORT	2x G DOOR HANDLE
						
9x H FOOT	22x I SCREW	2x J DOOR STAY	8x K CONNECTORS	1x L LED LIGHT STRIP	1x M 12v MAINS ADAPTOR	

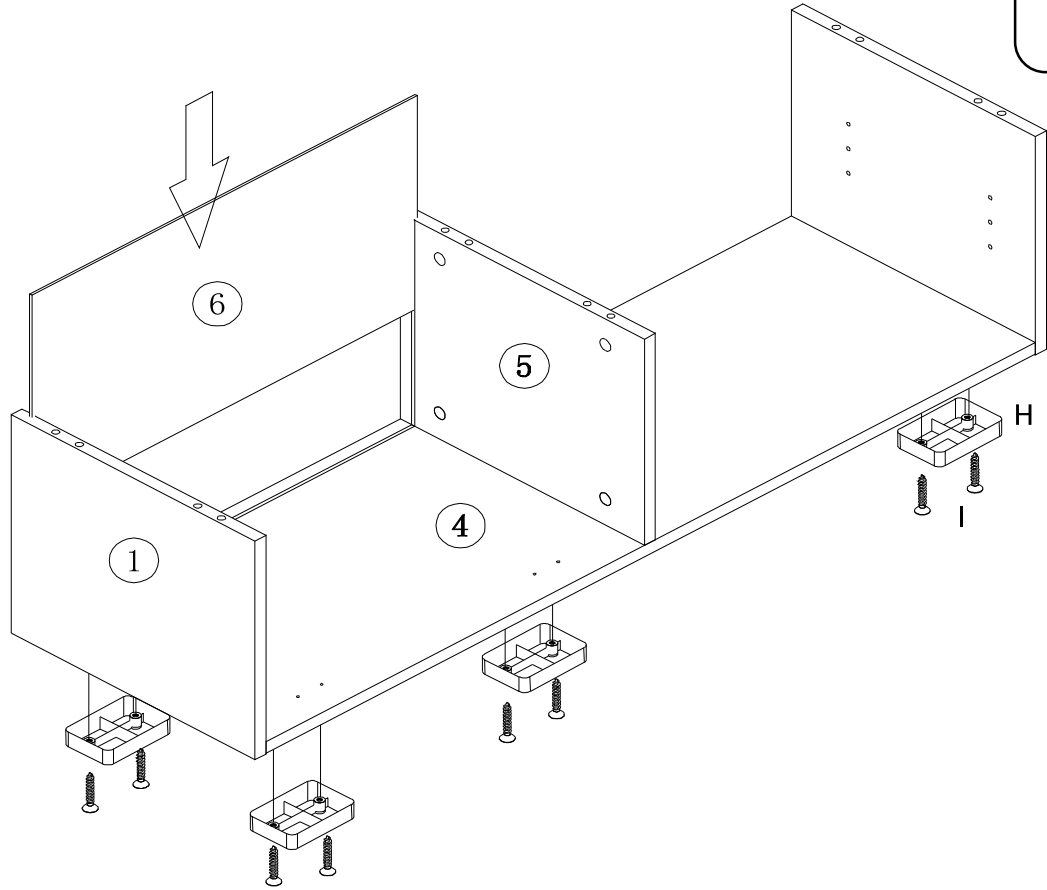
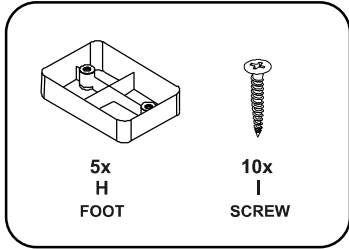
STEP 1



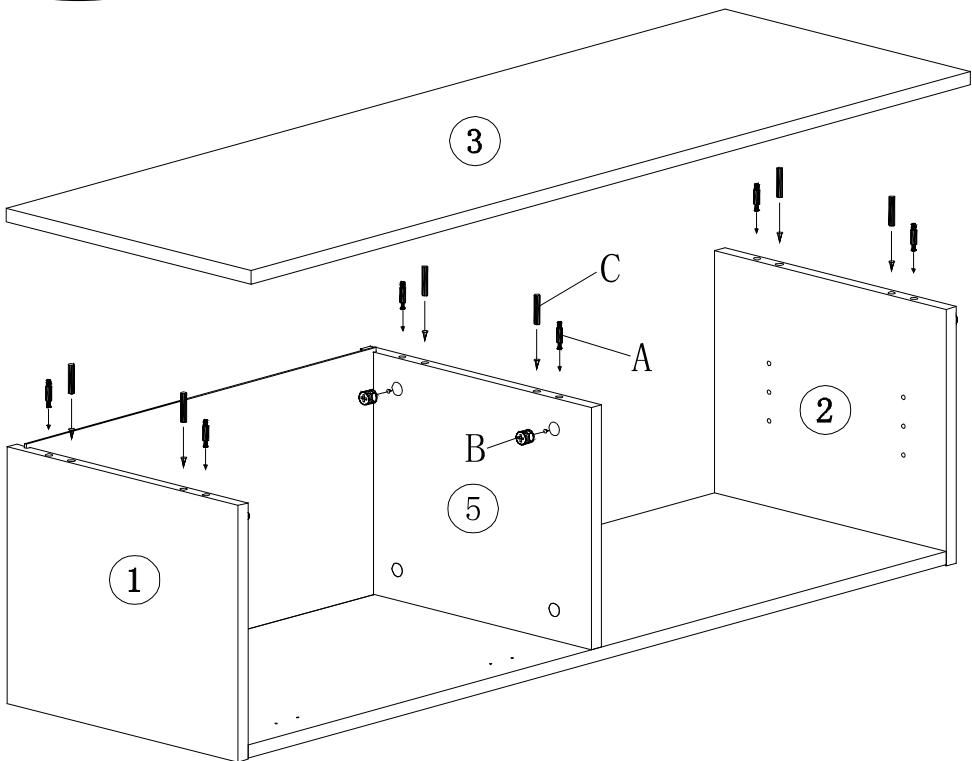
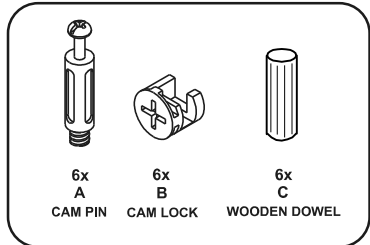
STEP 2



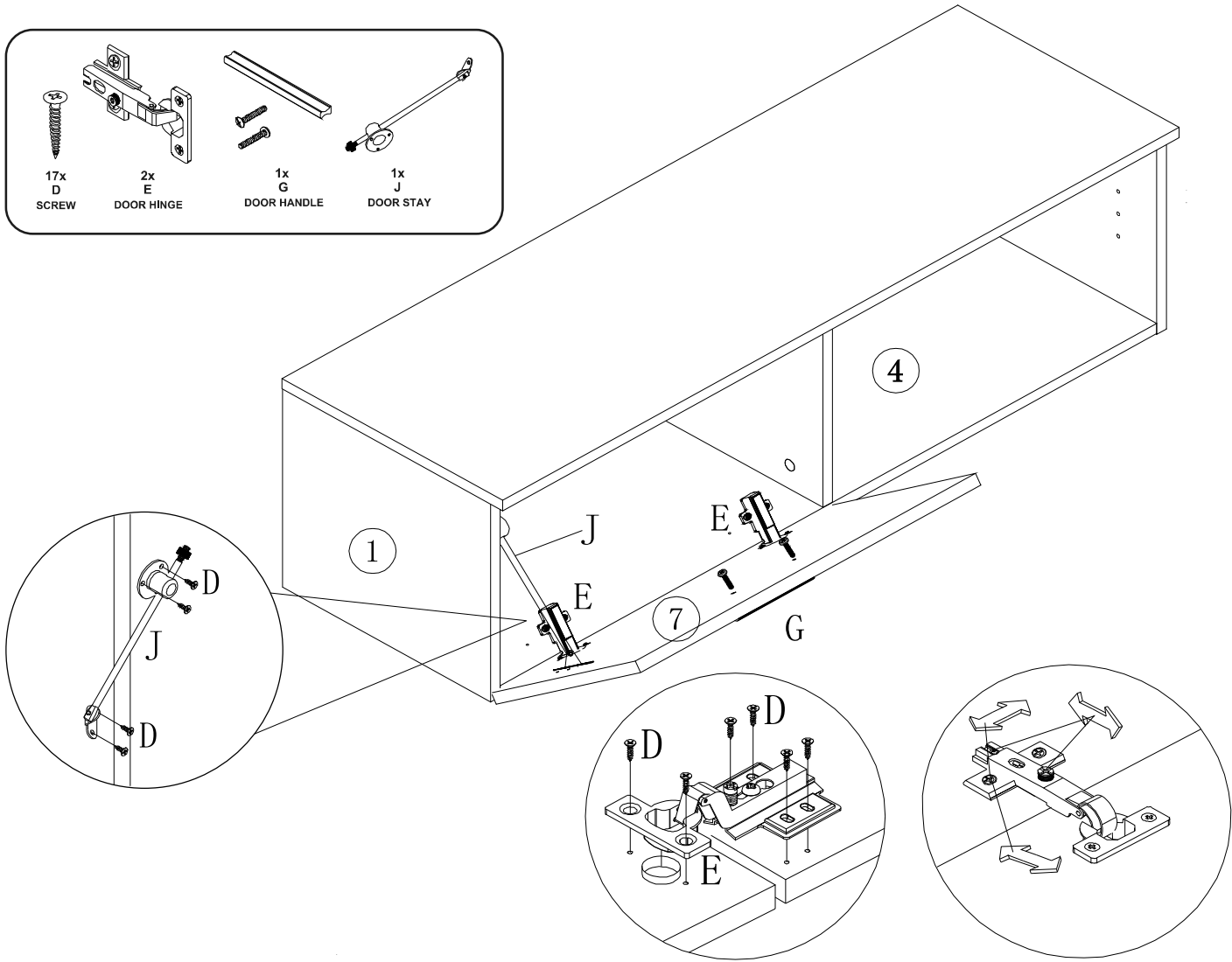
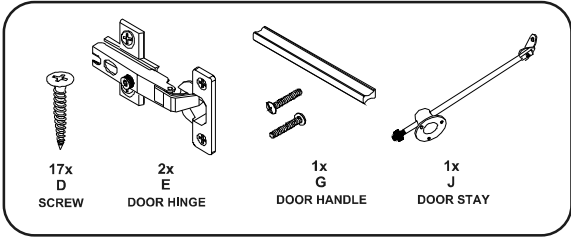
STEP 3



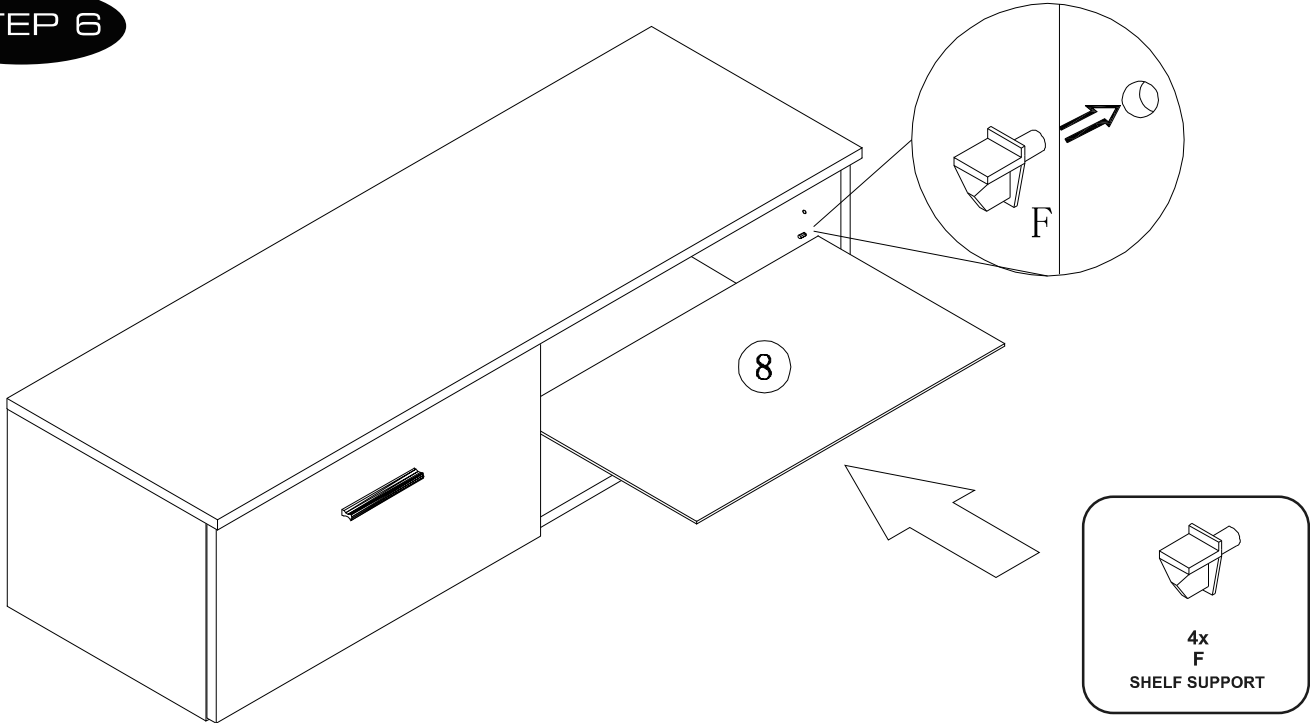
STEP 4




STEP 5



STEP 6

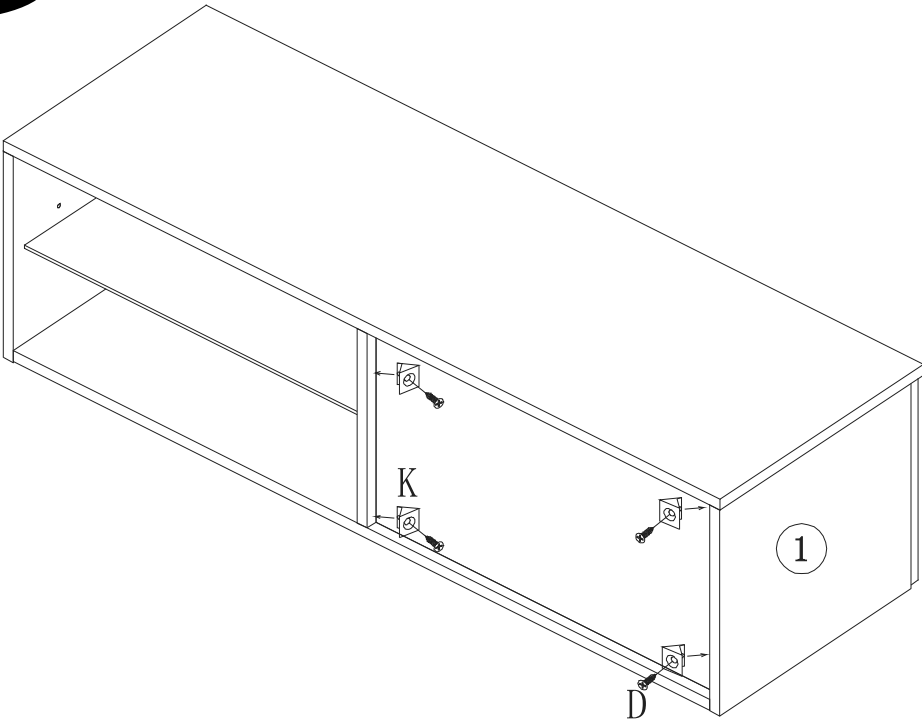


STEP 7

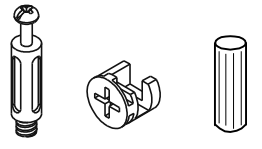


4x
D
SCREW

4x
K
CONNECTORS



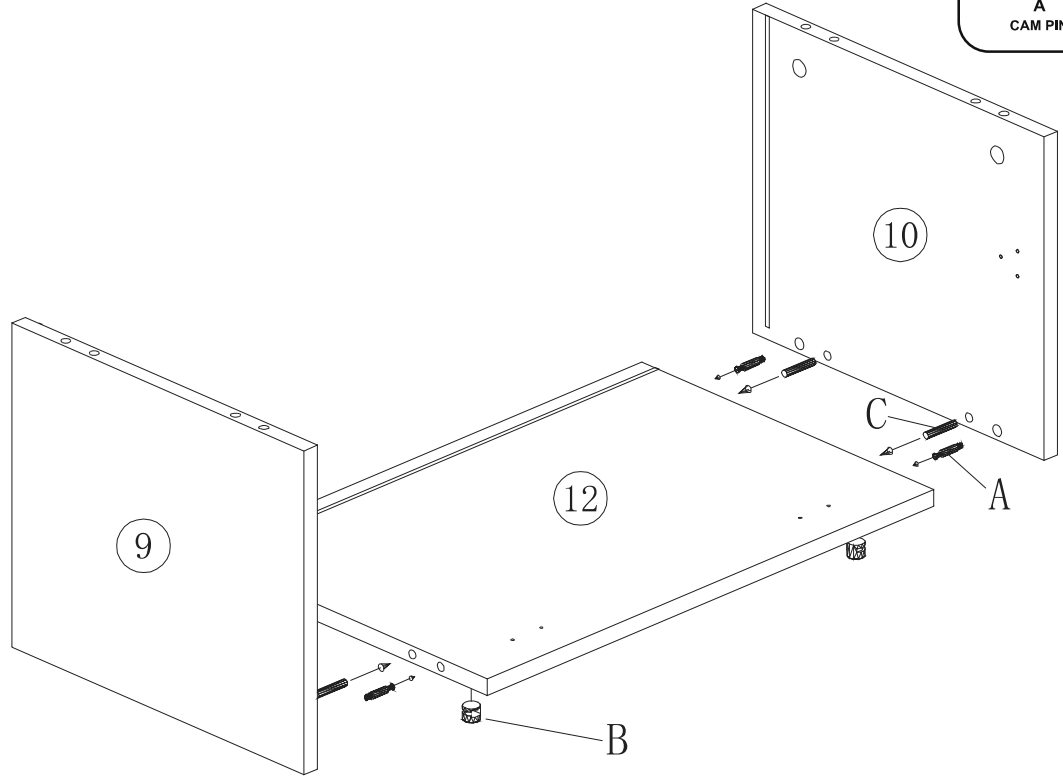
STEP 8



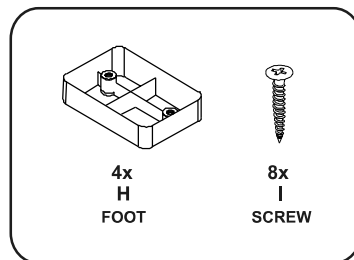
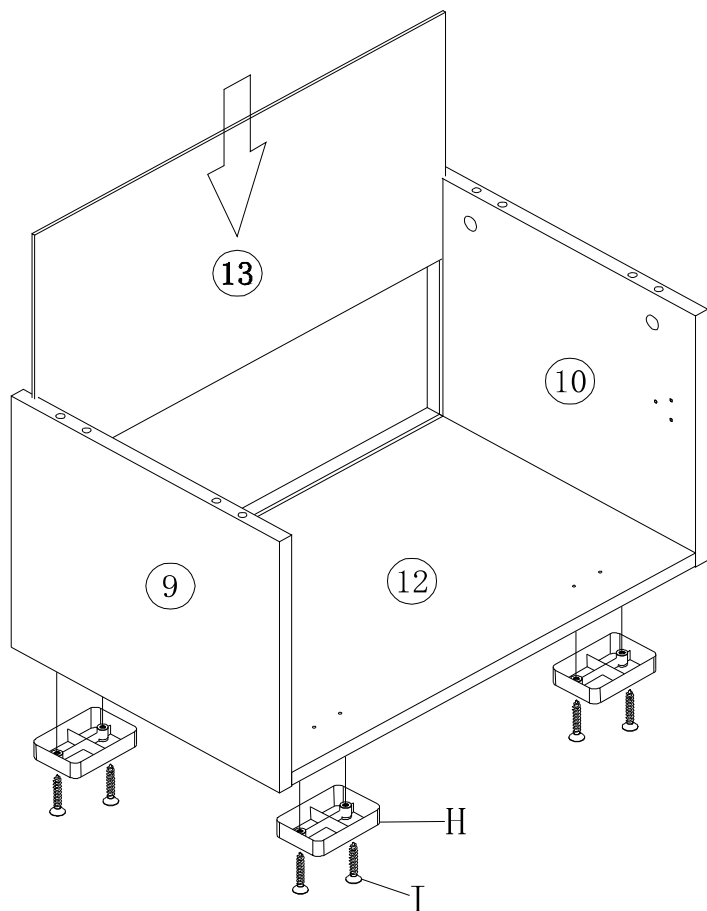
4x
A
CAM PIN

4x
B
CAM LOCK

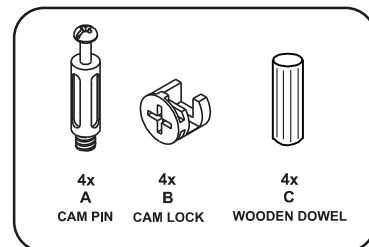
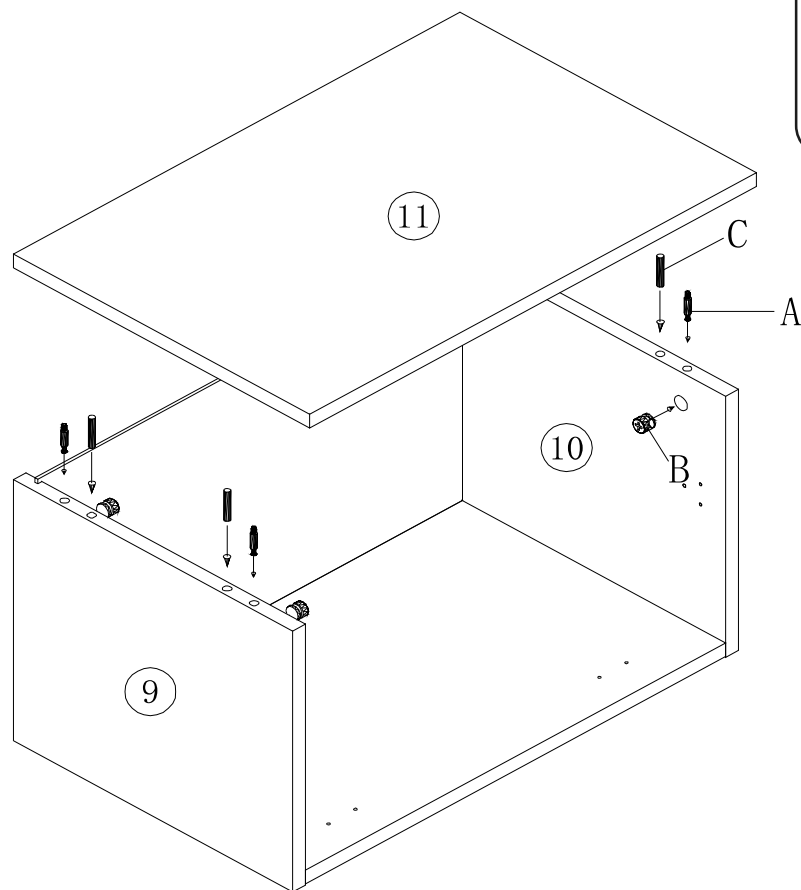
4x
C
WOODEN DOWEL




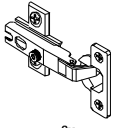
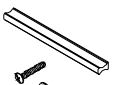
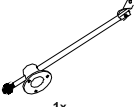
STEP 9

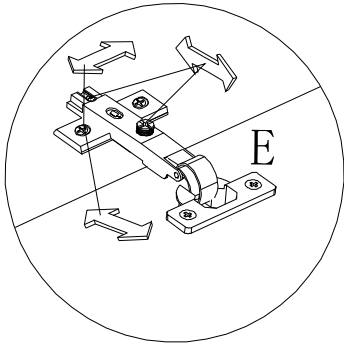
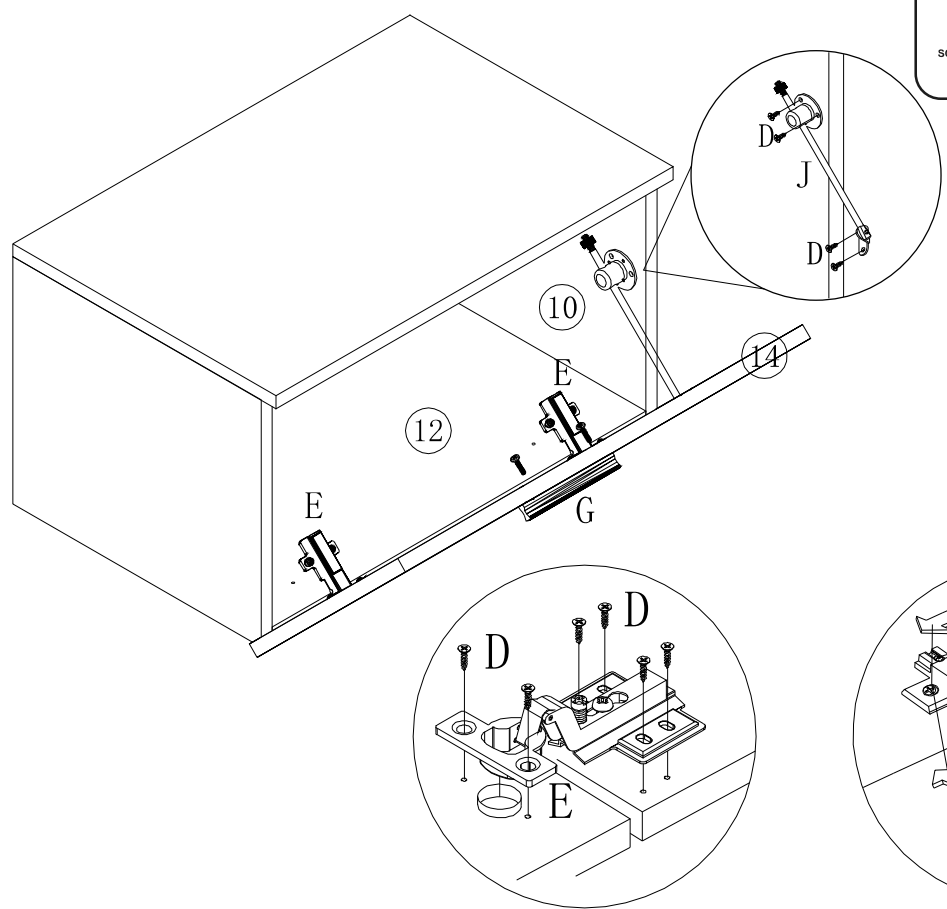


STEP 10


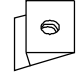


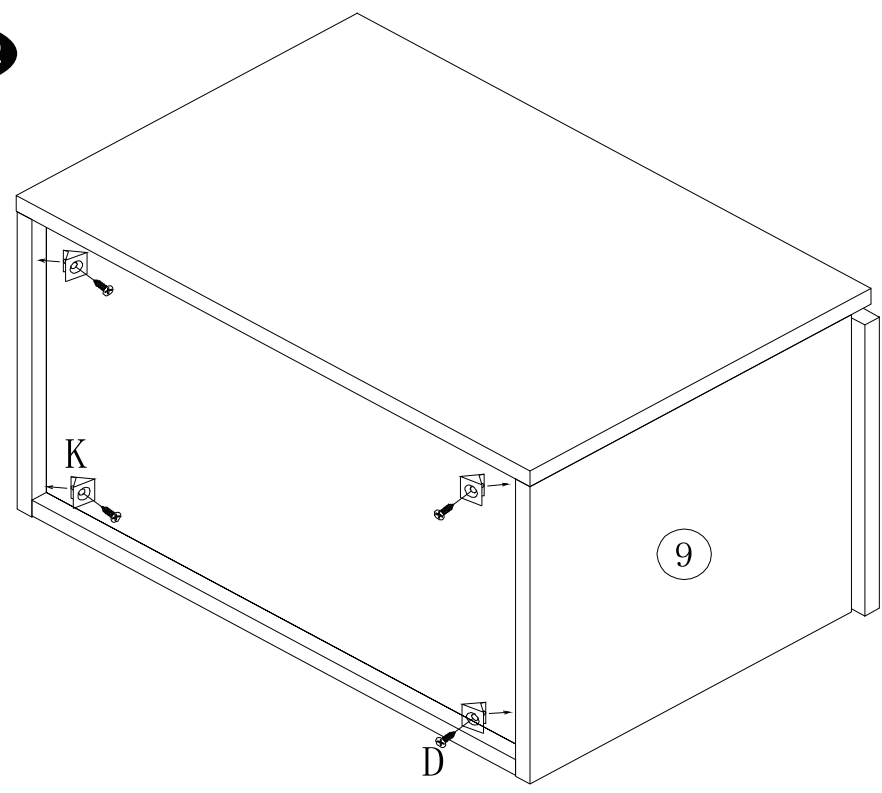
STEP 11

			
16x D SCREW	2x E DOOR HINGE	1x G DOOR HANDLE	1x J DOOR STAY

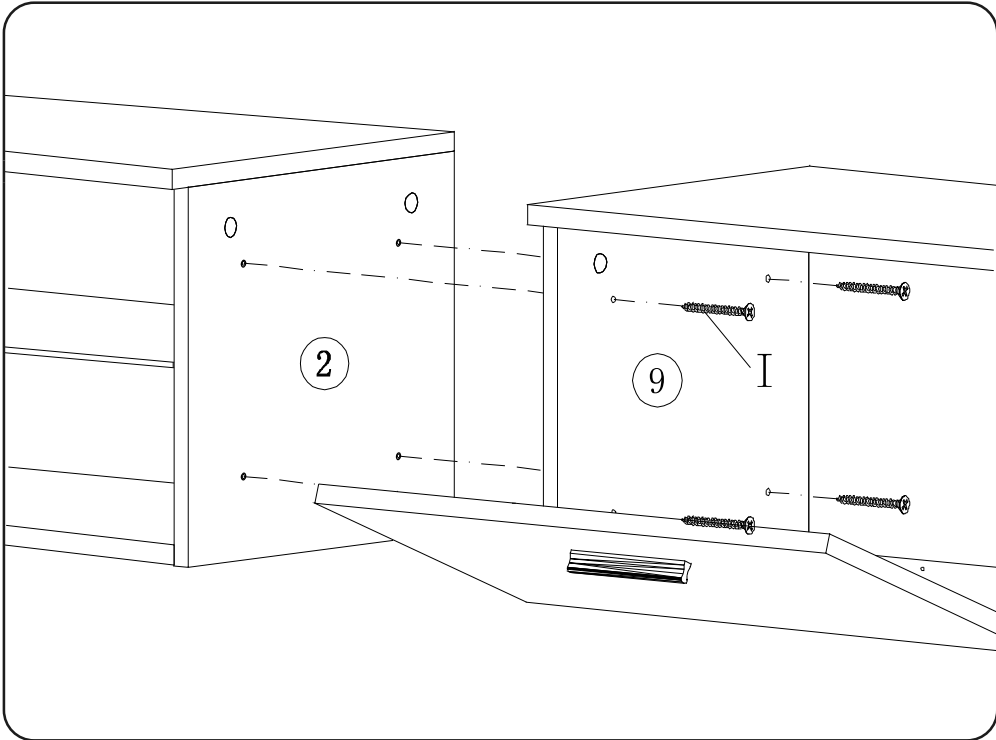
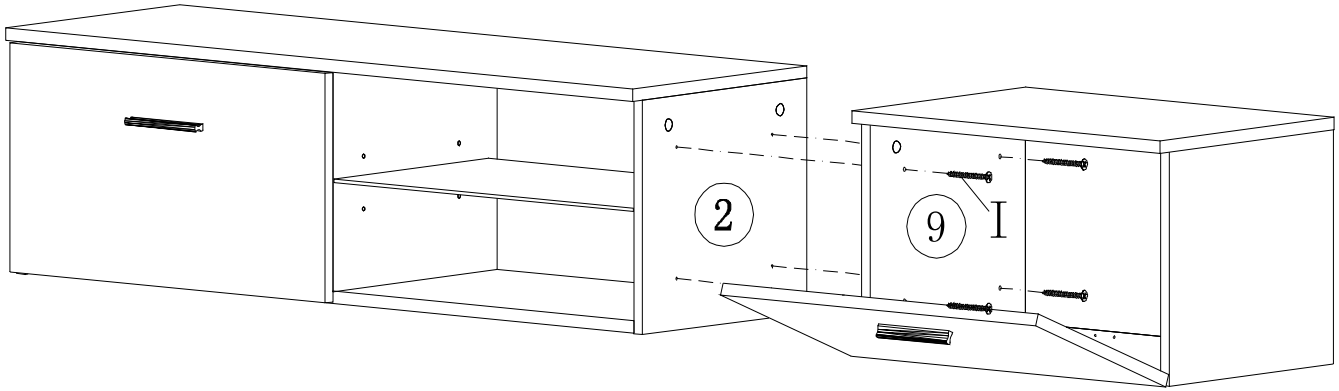
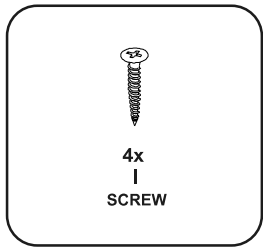


STEP 12

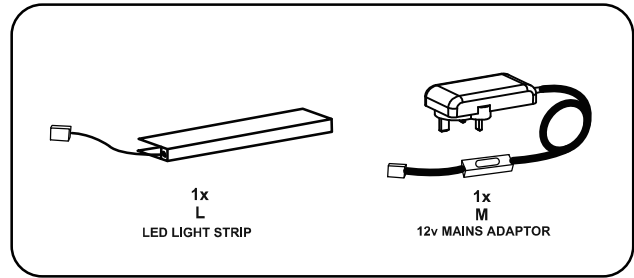
	
4x D SCREW	4x K CONNECTORS



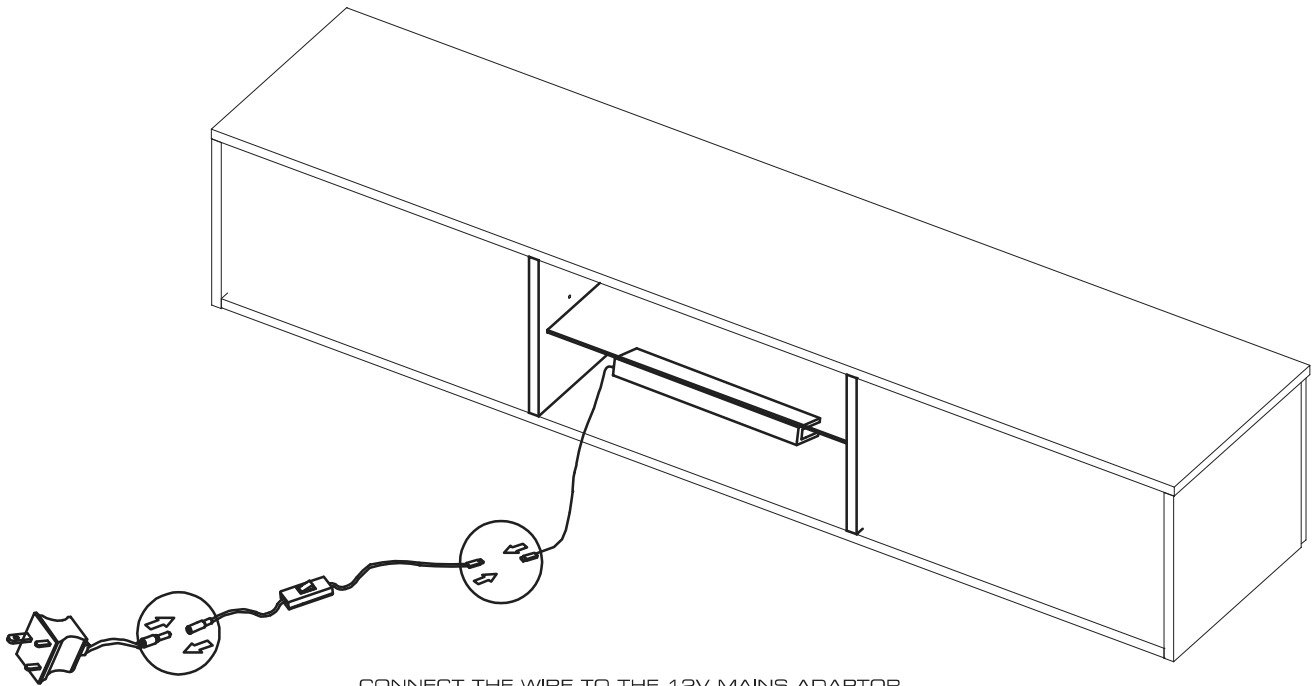
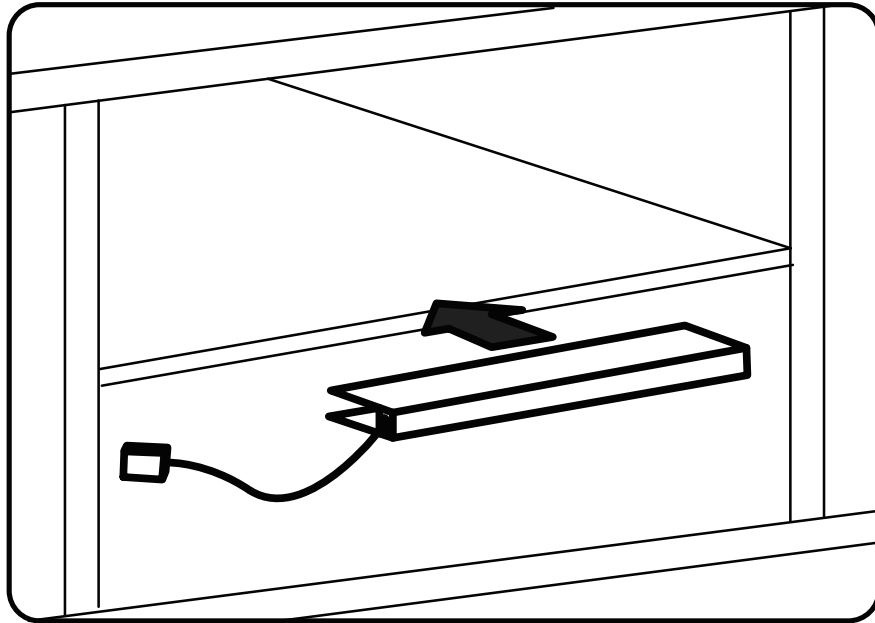
STEP 13



STEP 14



FIT THE LED LIGHT STRIP TO THE REAR EDGE OF THE GLASS



STEP 15

MAKE ANY FINAL ADJUSTMENTS REQUIRED TO THE DOOR HINGES TO PROPERLY ALIGN THE DOORS IF REQUIRED.

