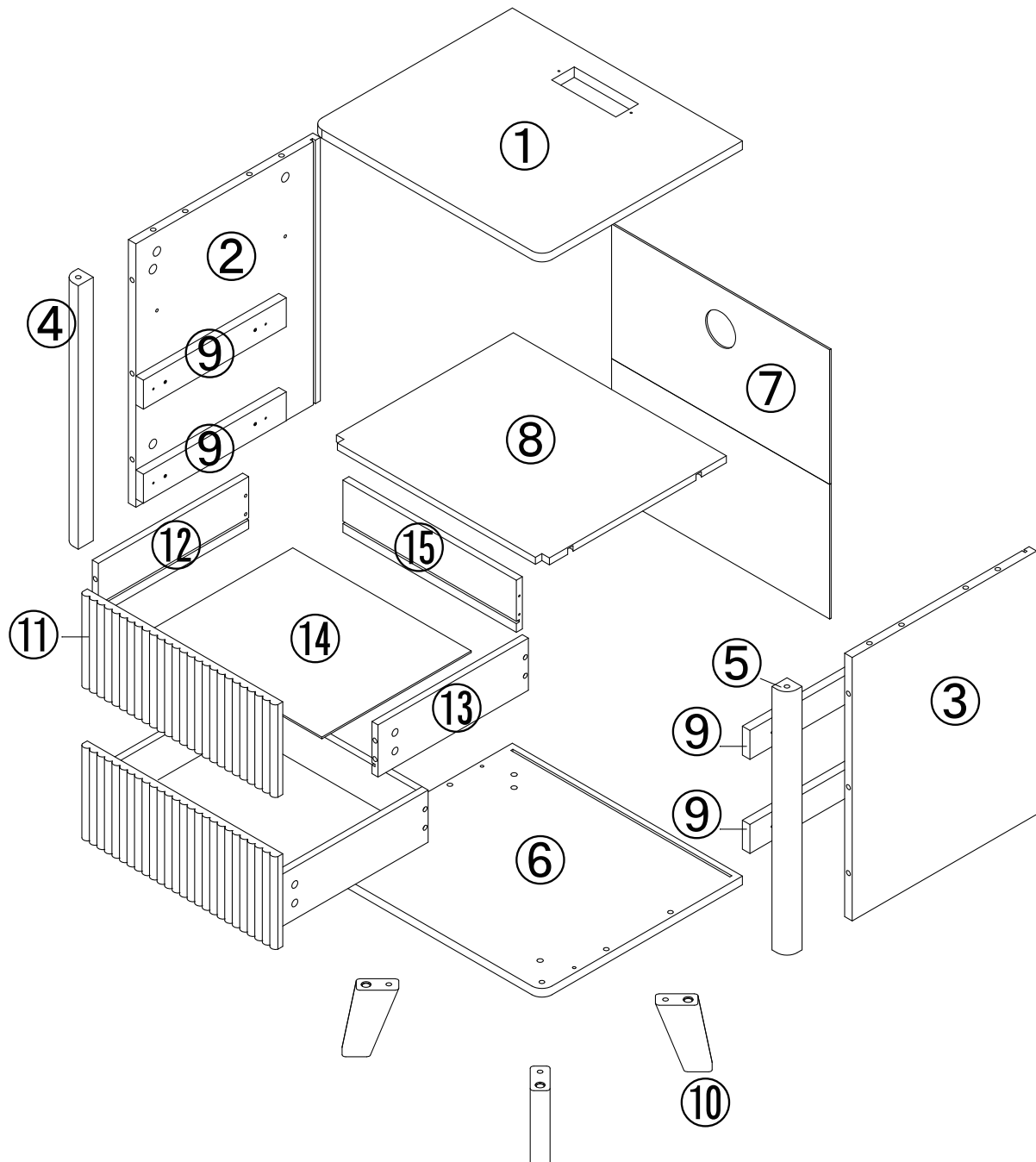


BESIDE TABLE

USER MANUAL

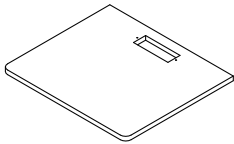
1

ASSEMBLY INSTRUCTIONS

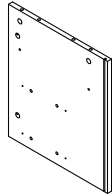


2

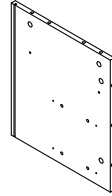
PACKAGING LIST



①x1



②x1



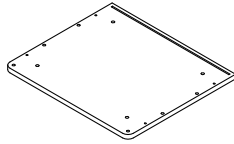
③x1



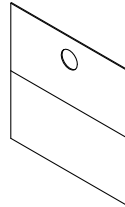
④x1



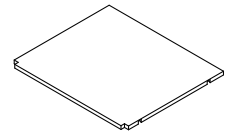
⑤x1



⑥x1



⑦x1



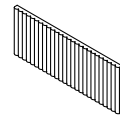
⑧x1



⑨x4



⑩x4



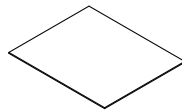
⑪x2



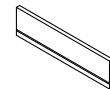
⑫x2



⑬x2

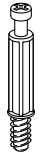


⑭x2

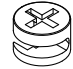


⑮x2


PACKAGING LIST




(A) 16+1x



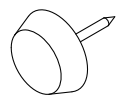
(B) 16+1x



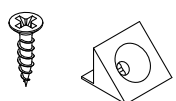
(C) 14+1x
Ø8*30



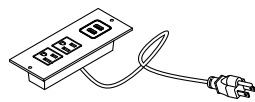
(D) 12+1x
M4*40




(E) 4x



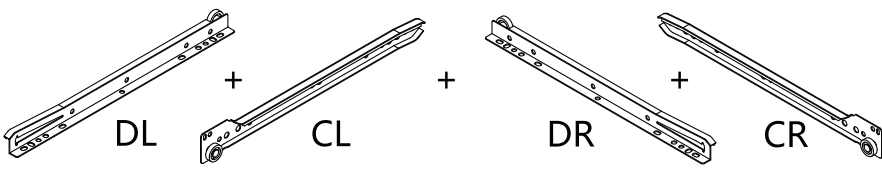
(F) 4+1x



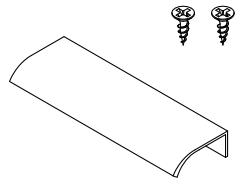
(G) 1x



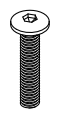
(H) 18+1x
M3.5*14




(I) 2x
DL + CL + DR + CR




(J) 2x



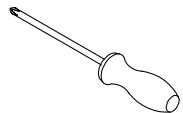
(K) 4x



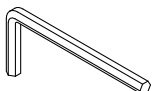
(L) 12+1x
Ø8*20




(M) 8x
M3.5*25



(N) 1x



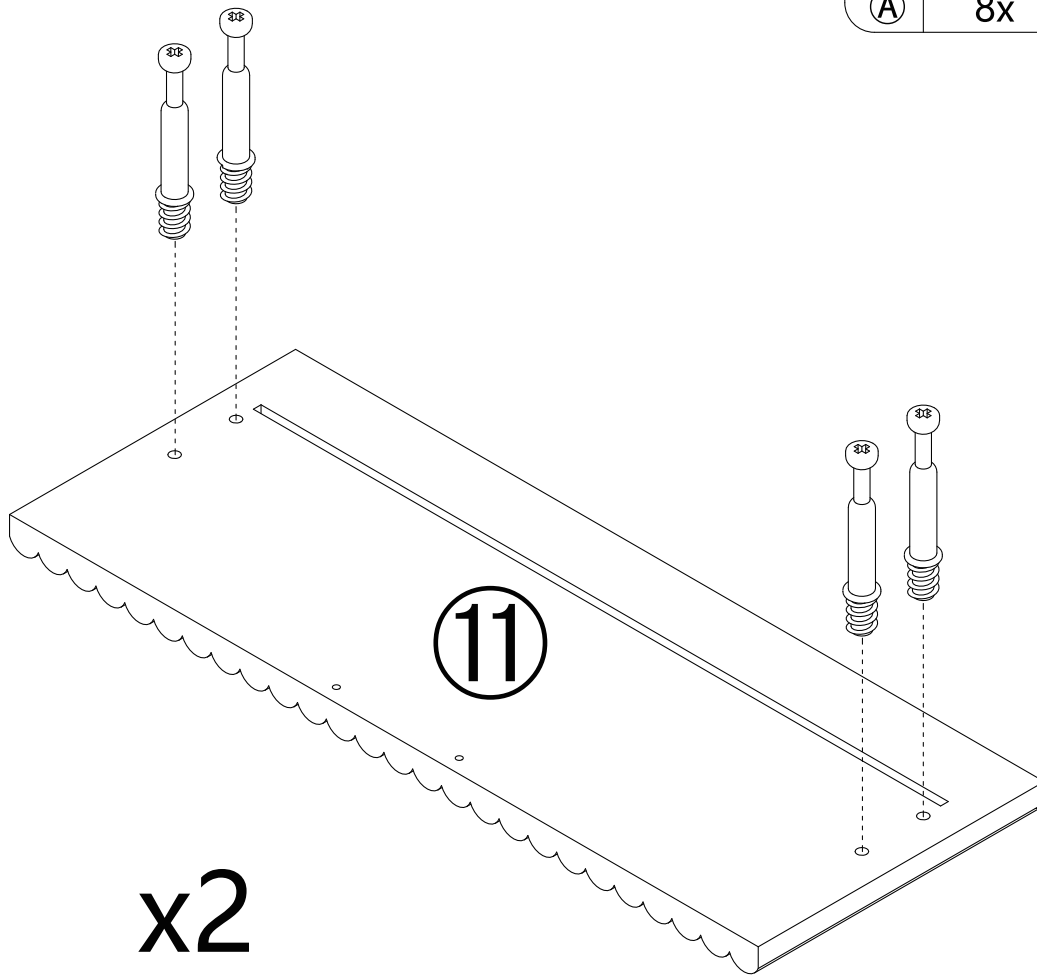
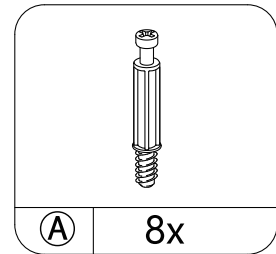
(O) 1x



(P) 4x

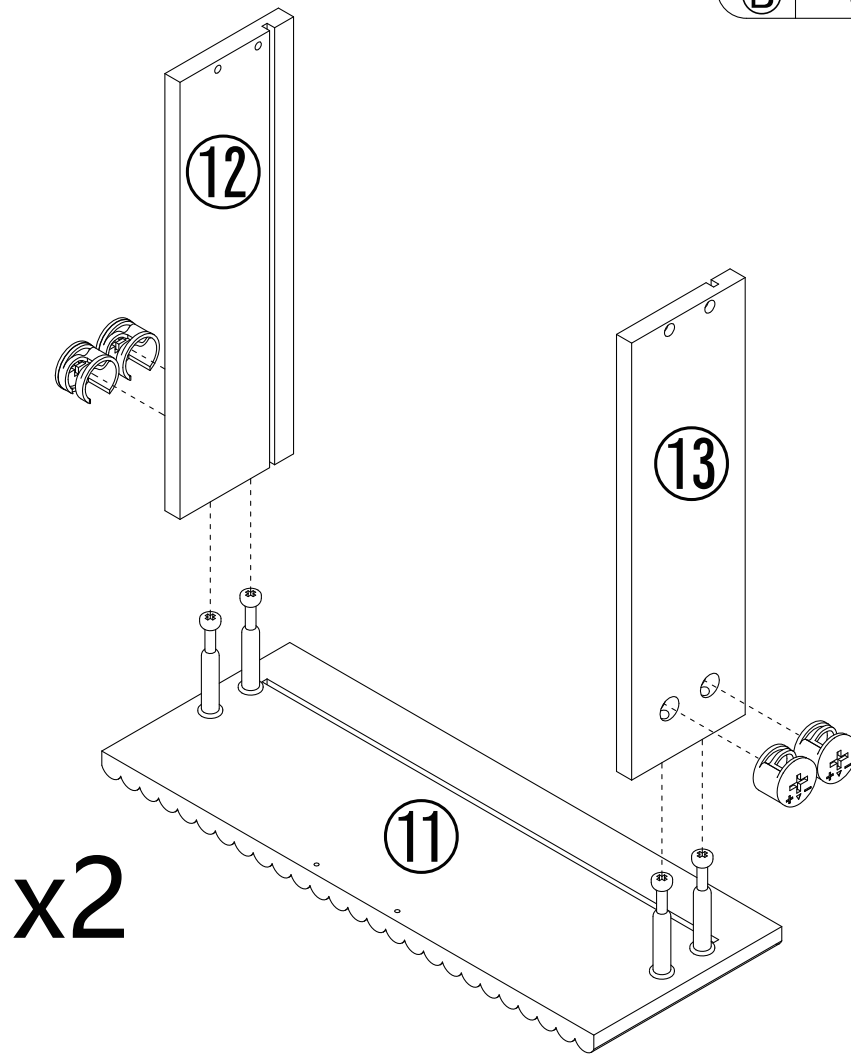
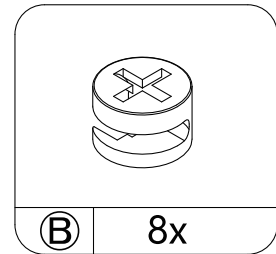
4

STEP 1



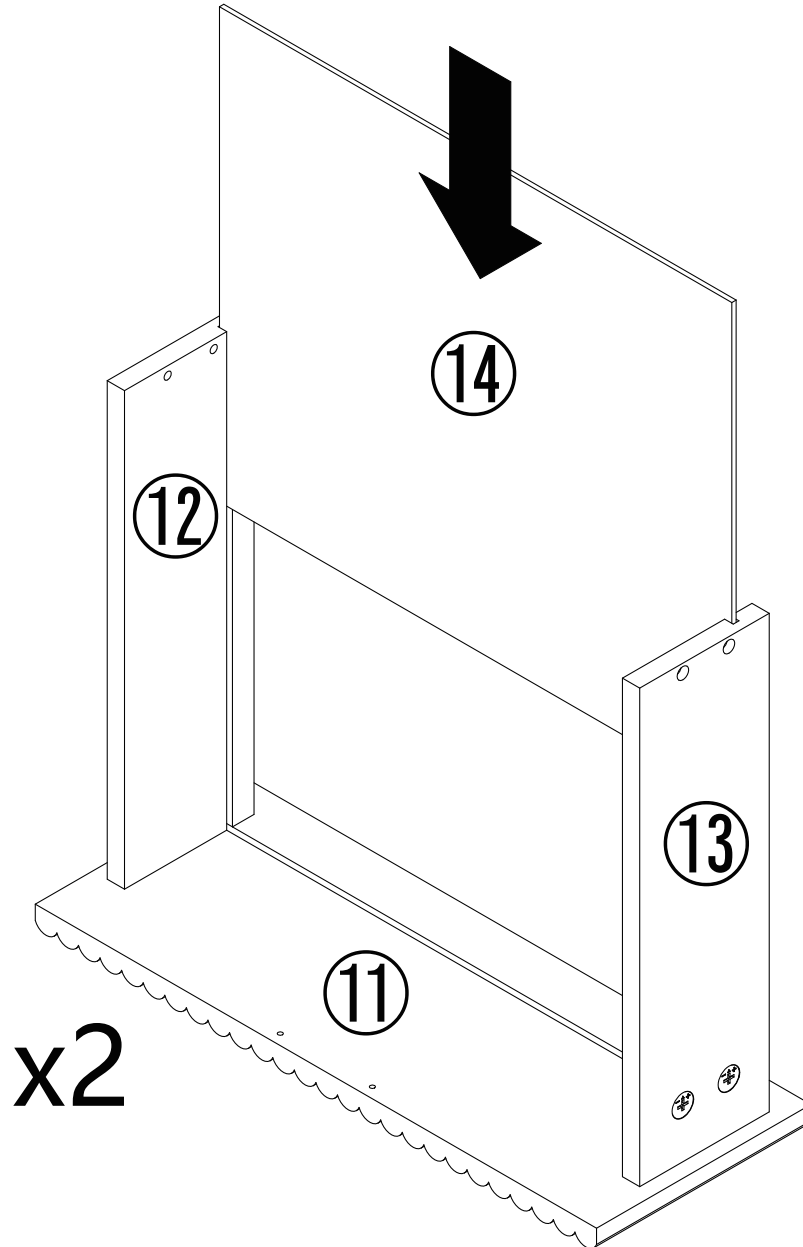
5

STEP 2



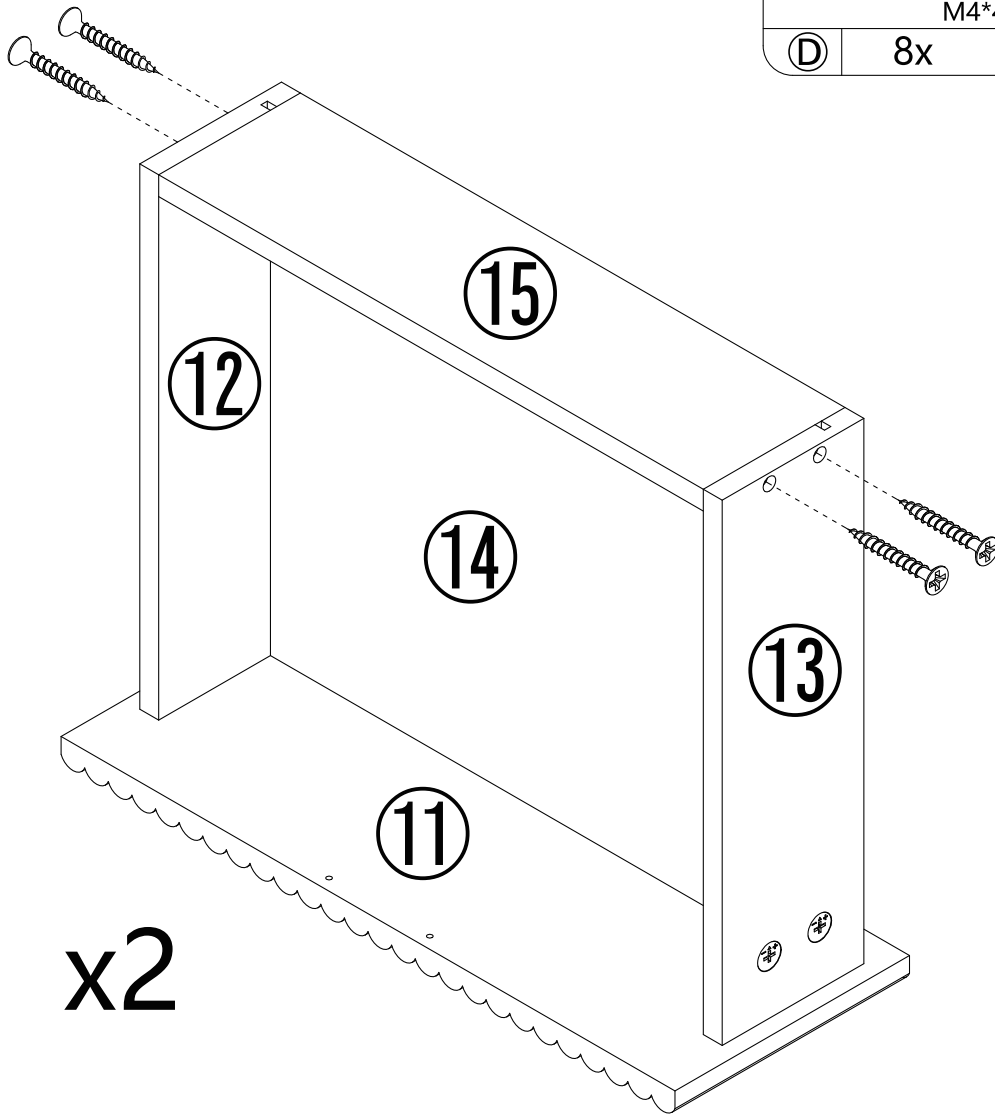
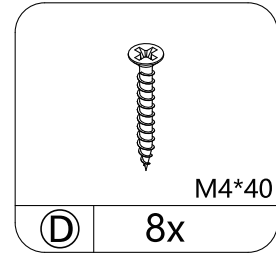
6

STEP 3



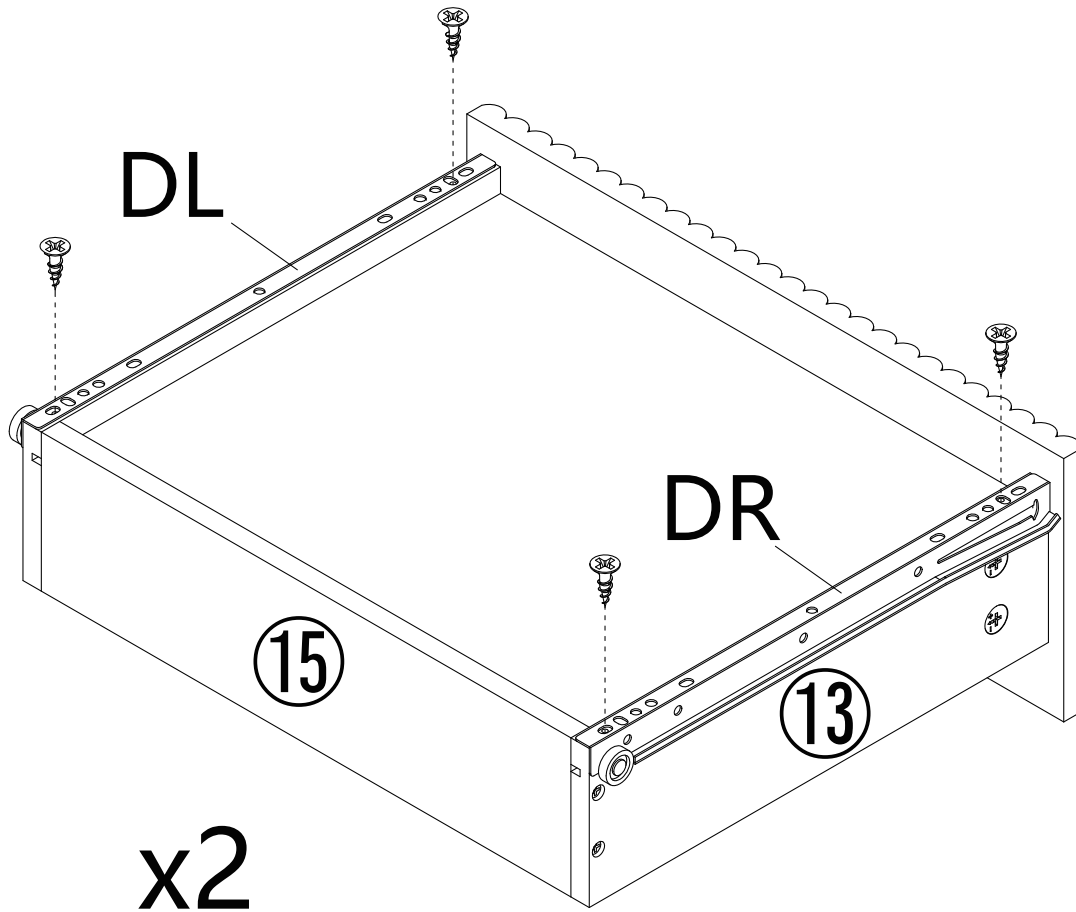
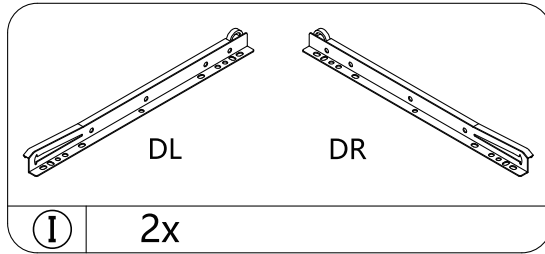
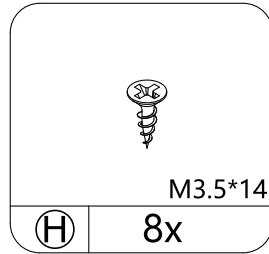
7

STEP 4



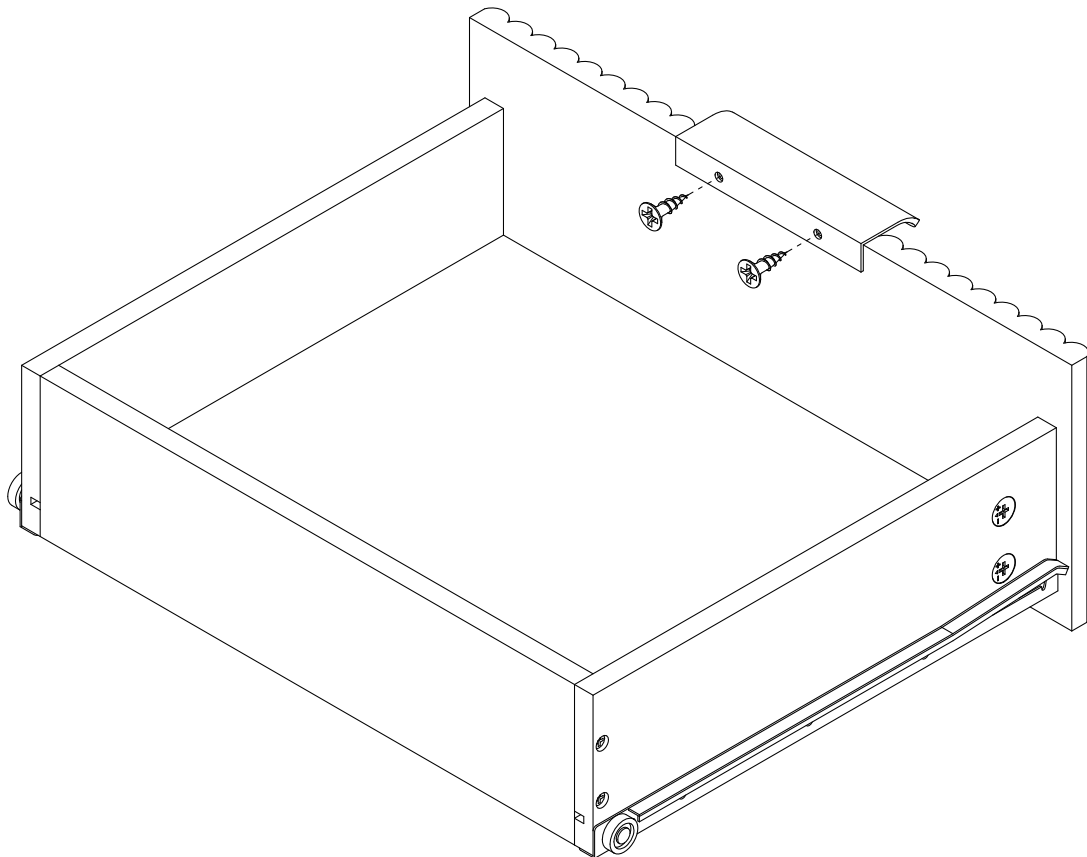
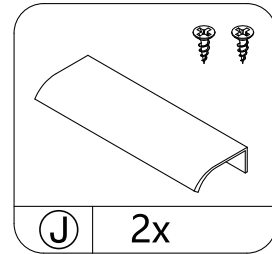
8

STEP 5



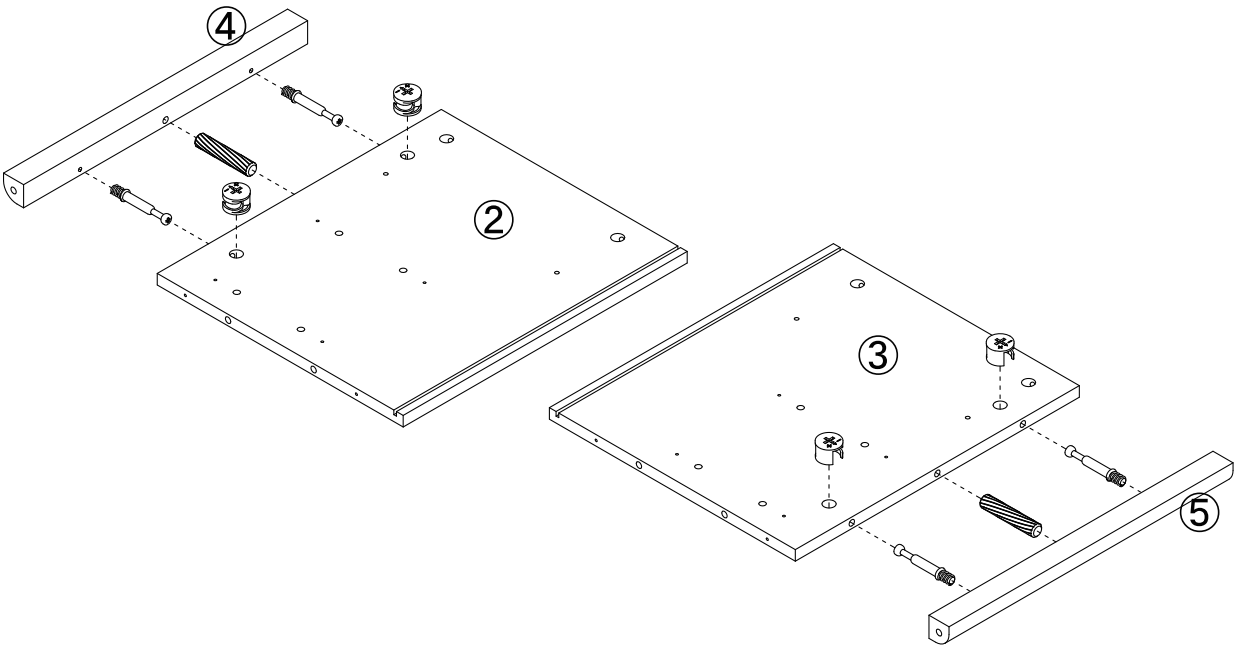
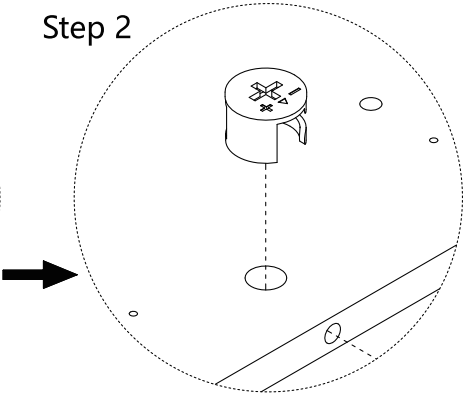
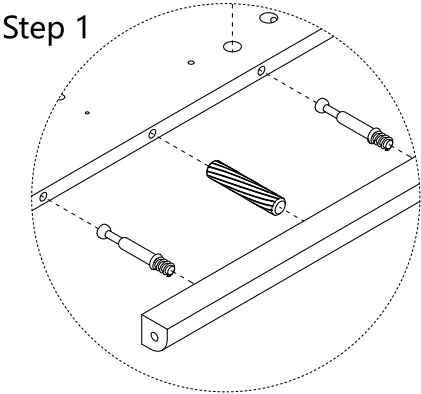
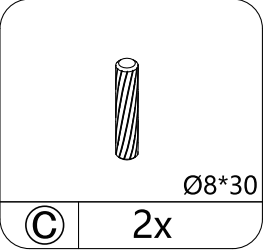
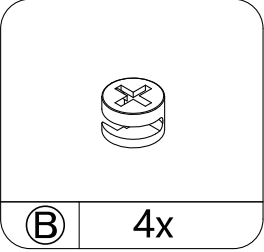
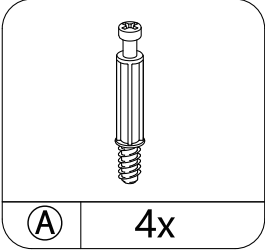
9

STEP 6

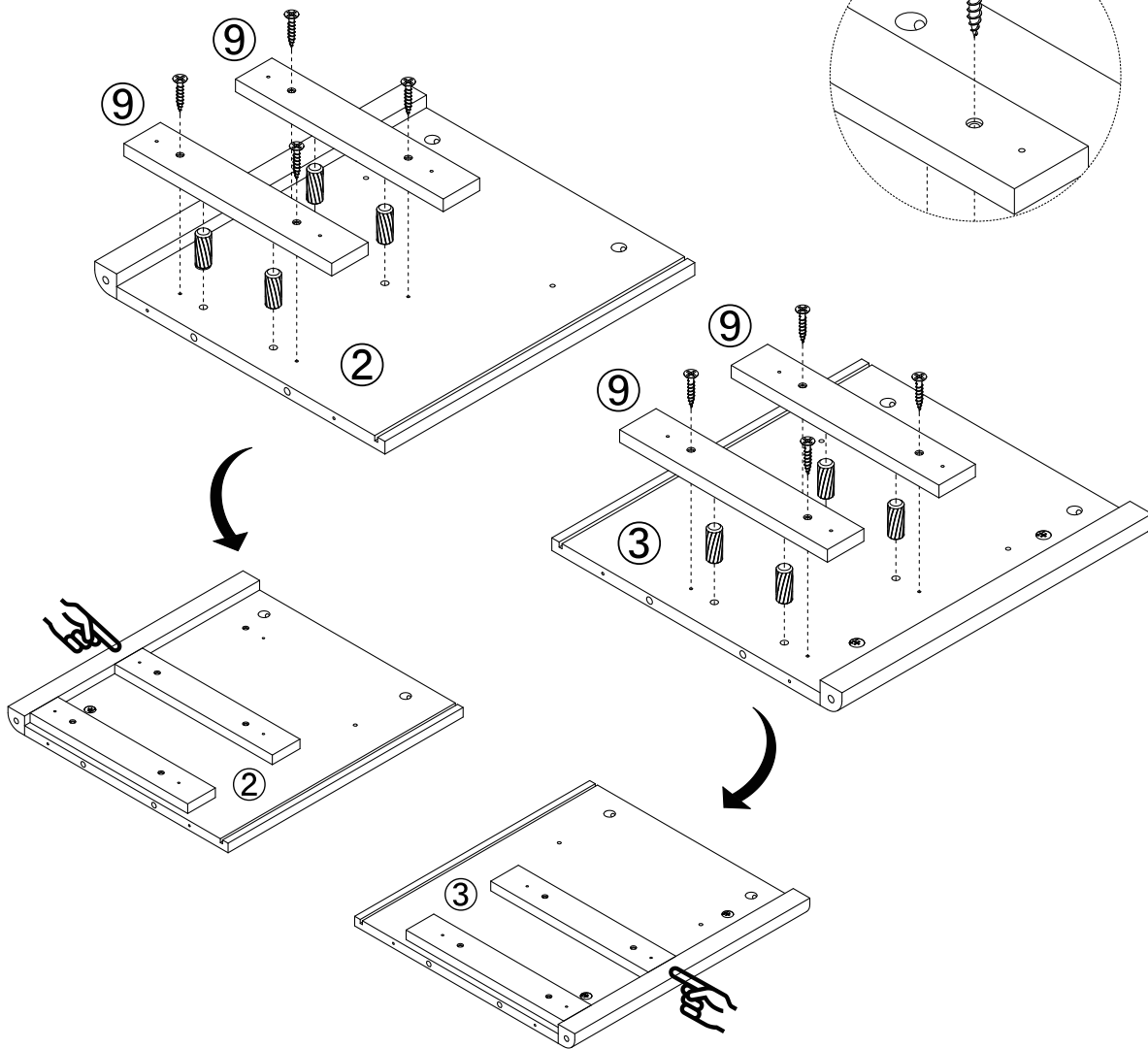
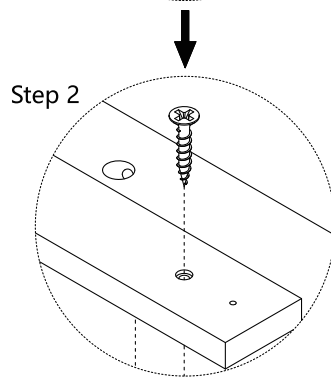
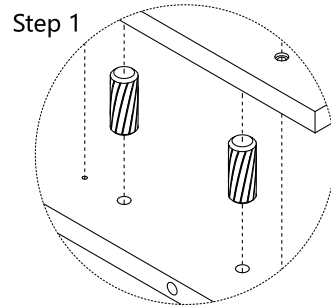
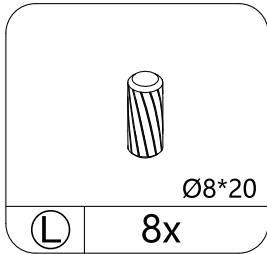
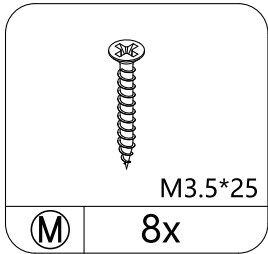


x2

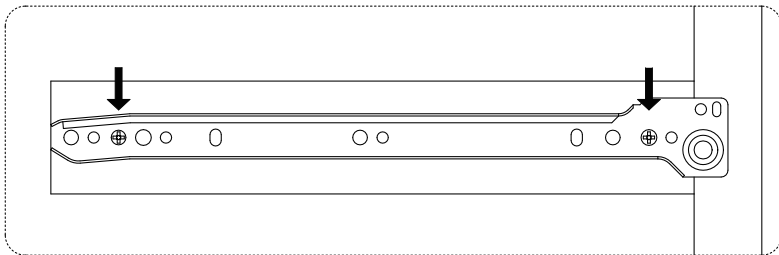
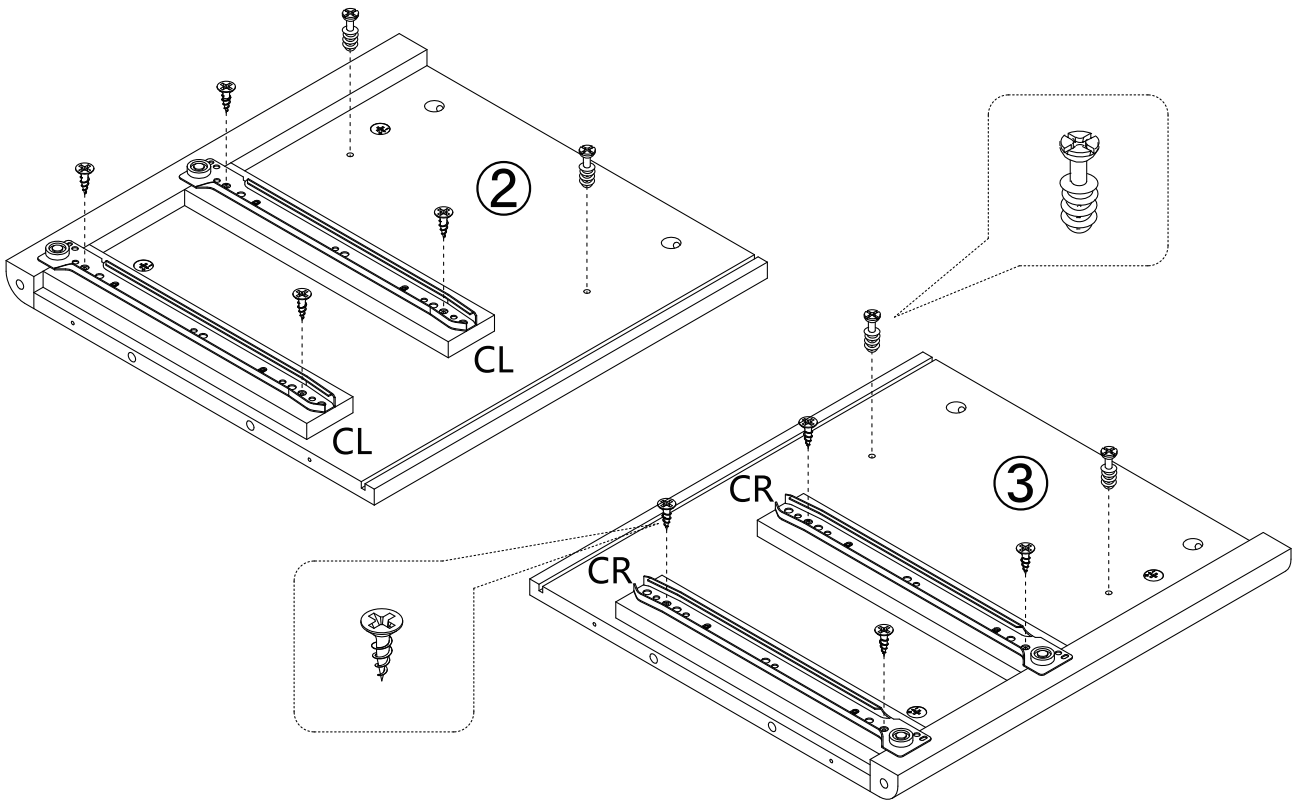
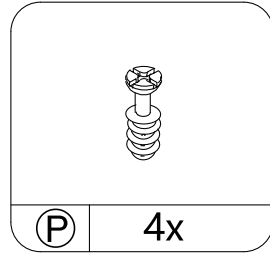
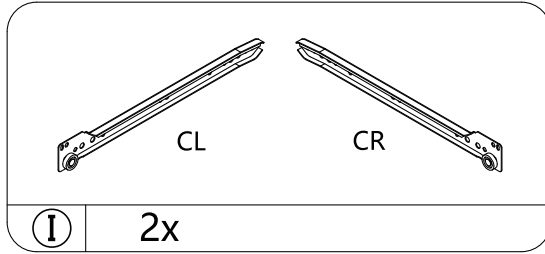
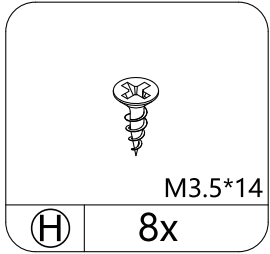
STEP 7



STEP 8

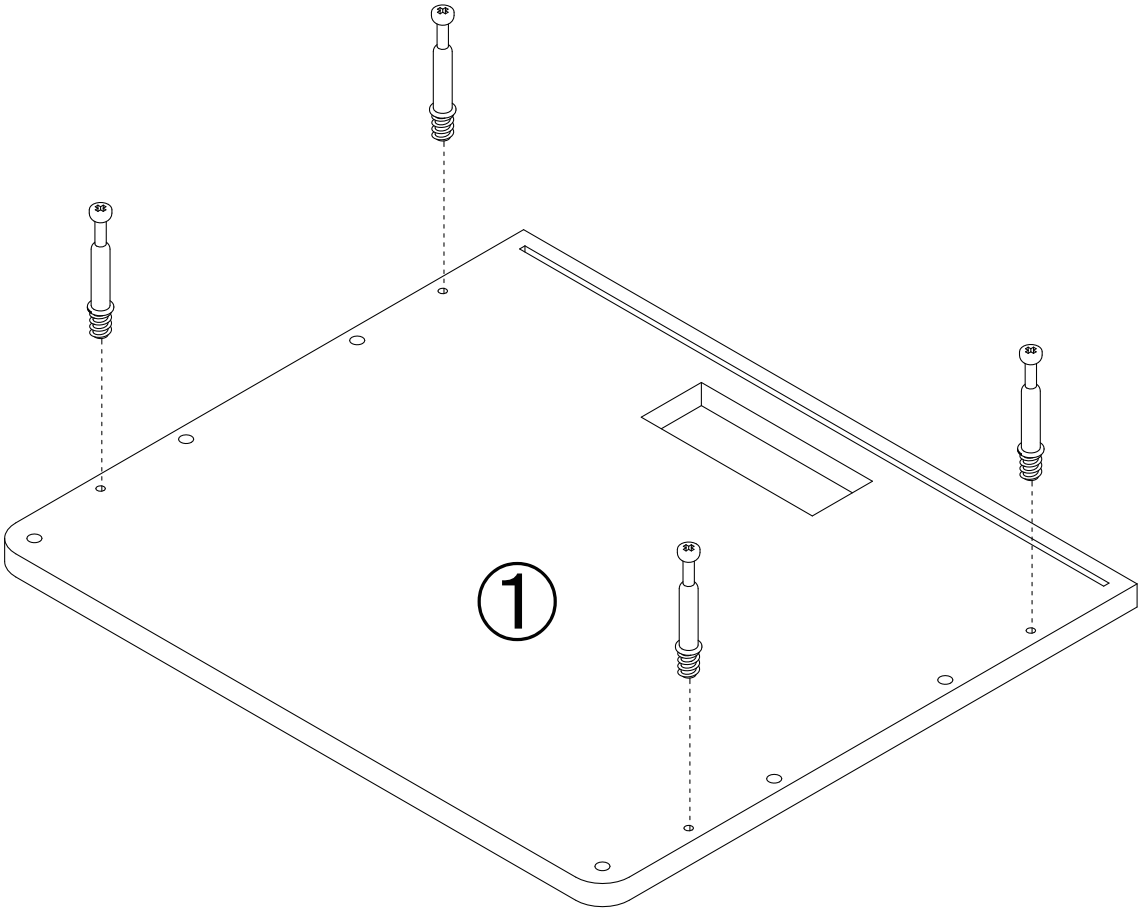
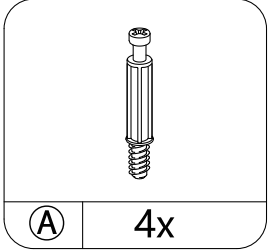


STEP 9

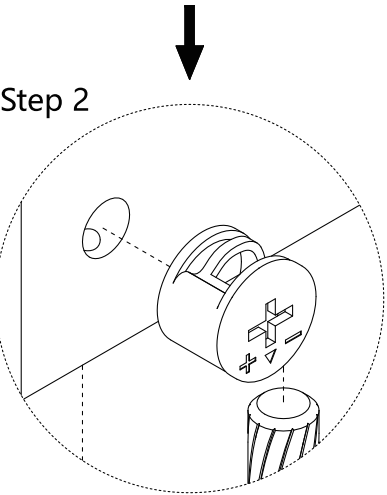
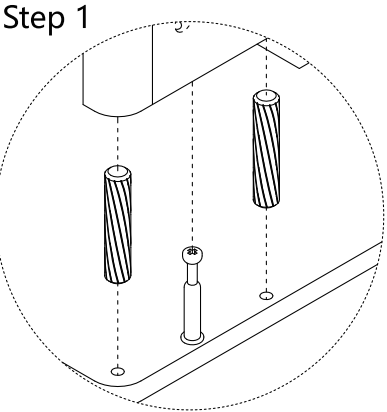
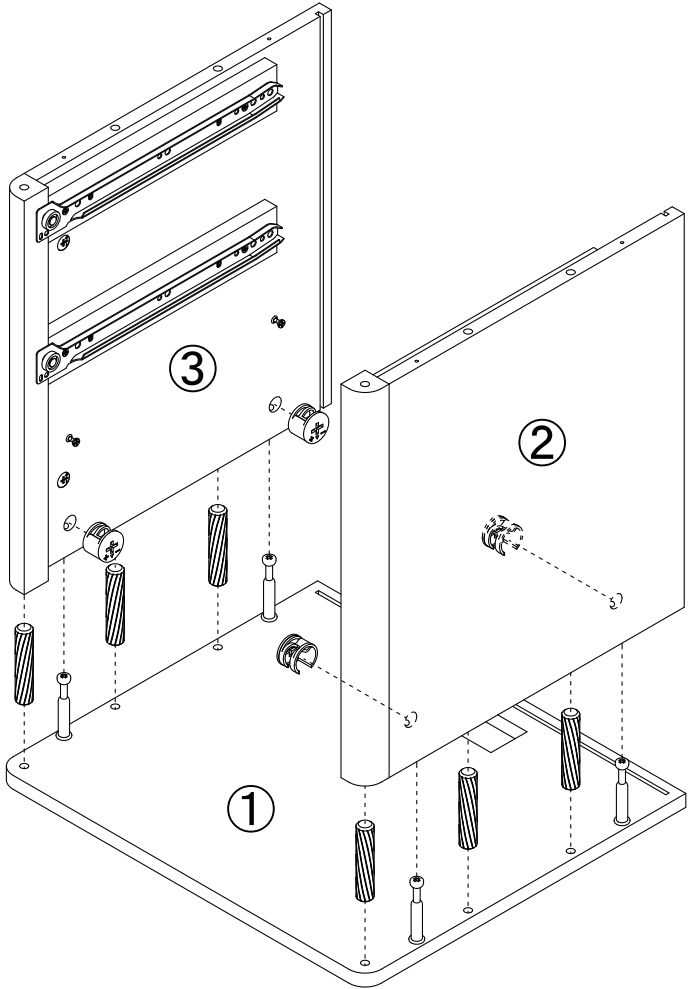
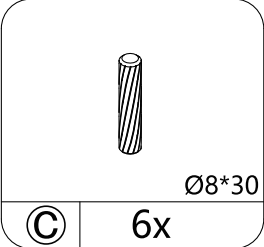
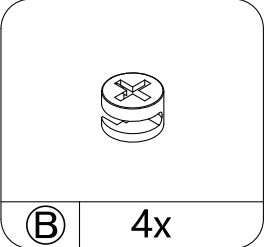


13

STEP 10

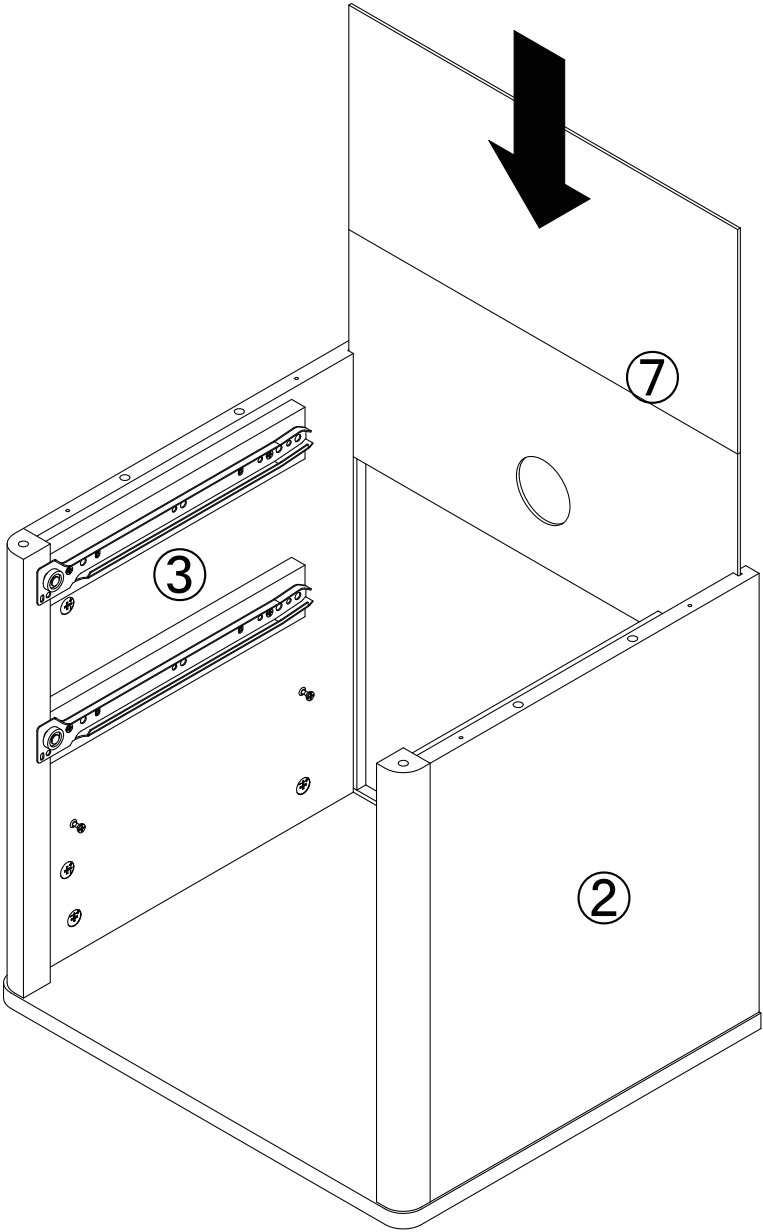


STEP 11



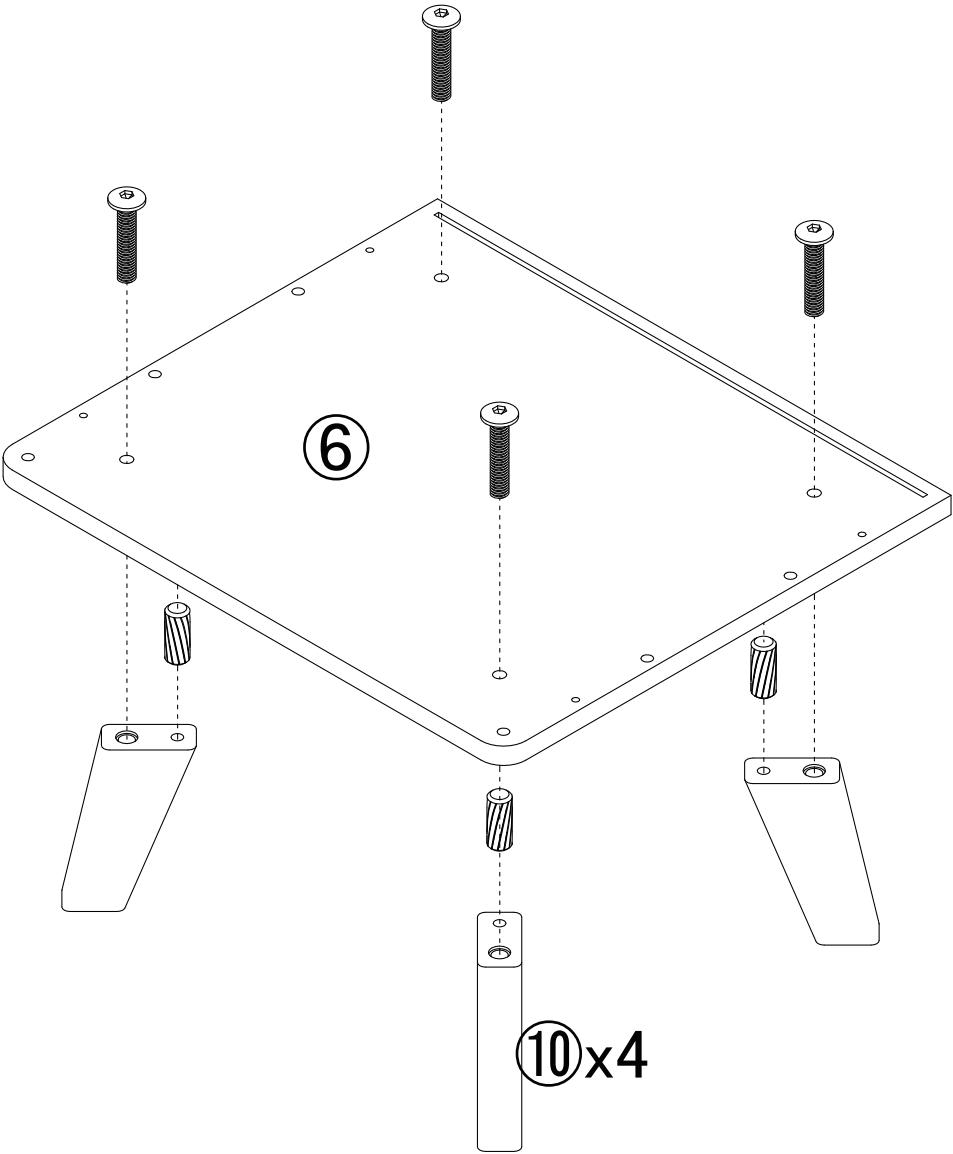
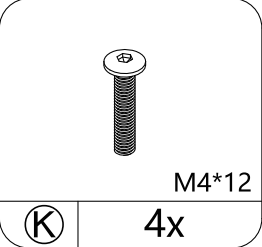
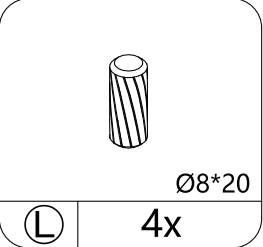
15

STEP 12

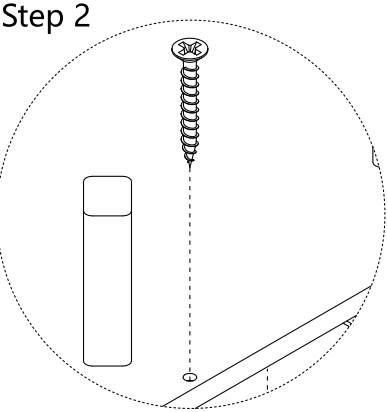
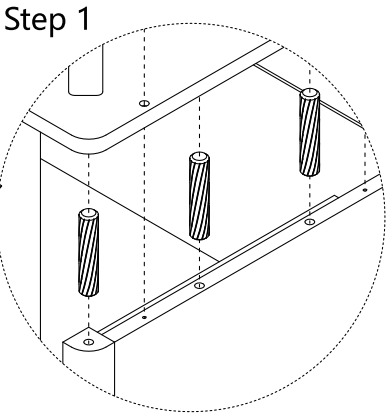
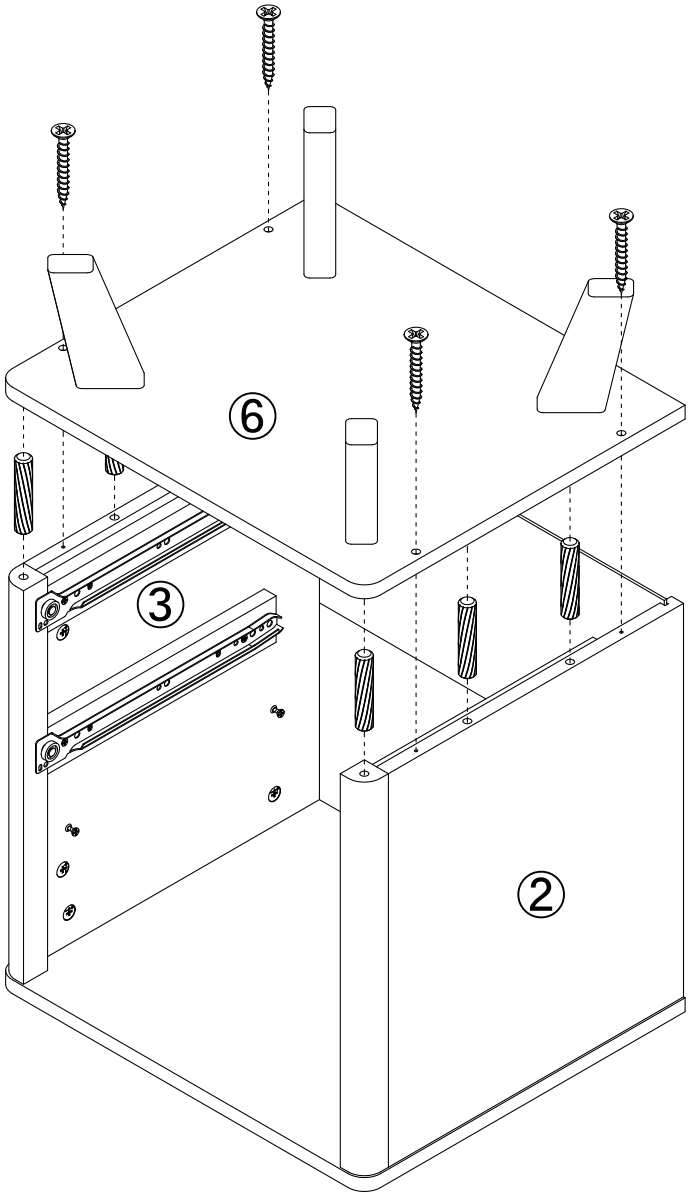
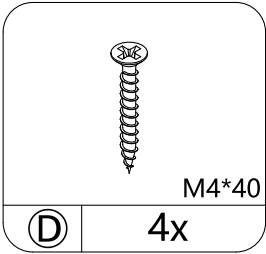
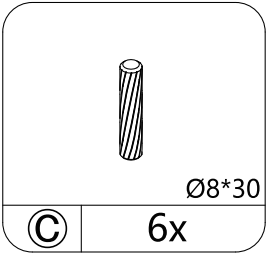


16

STEP 13

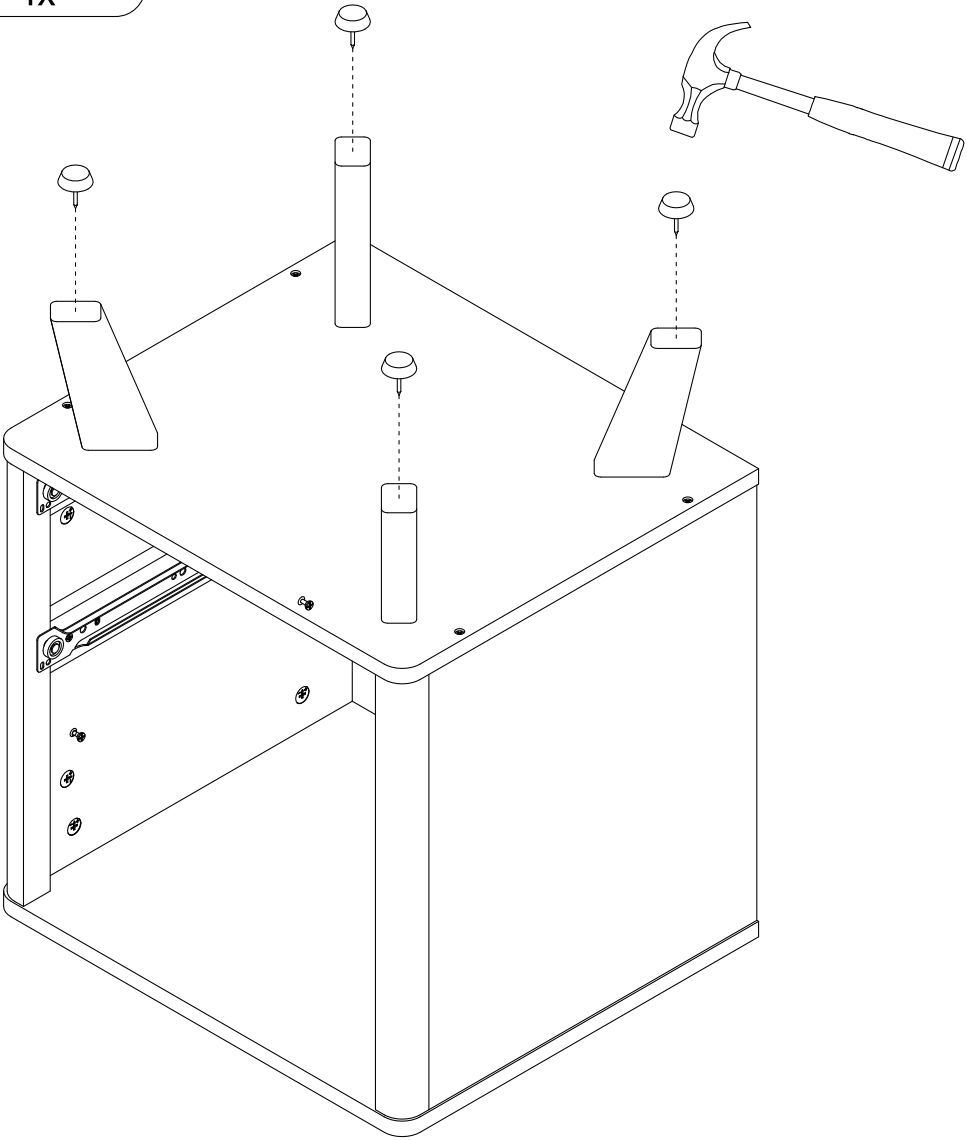
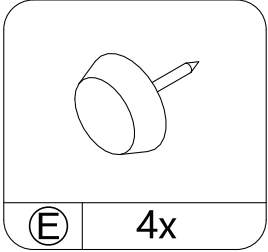


STEP 14



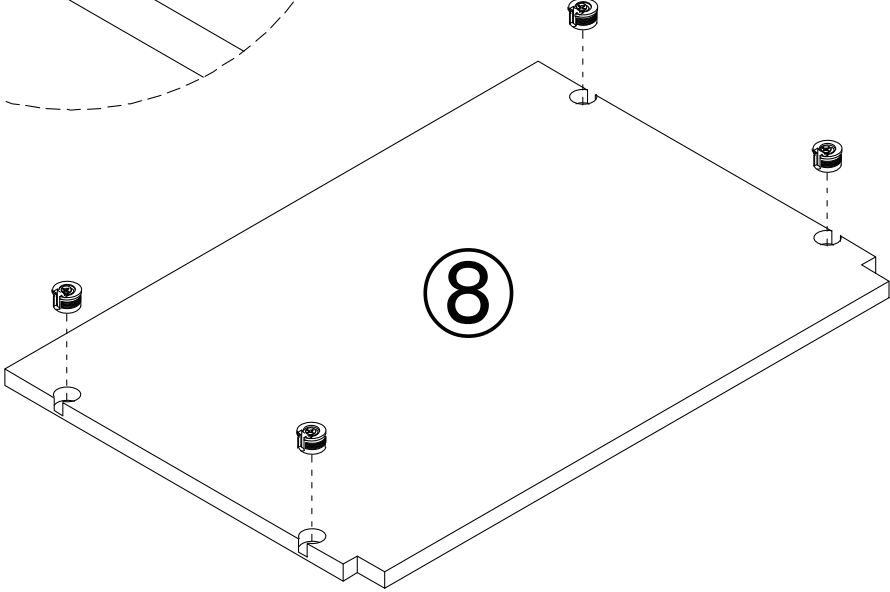
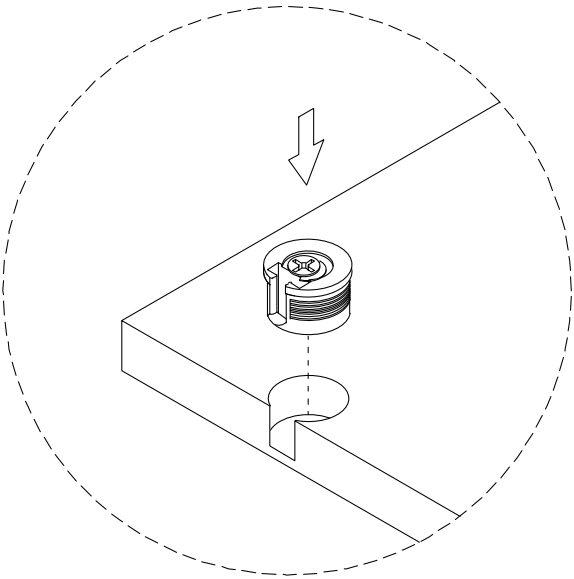
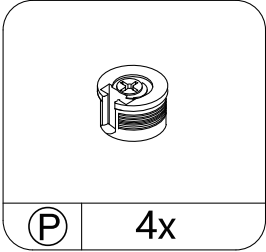
18

STEP 15

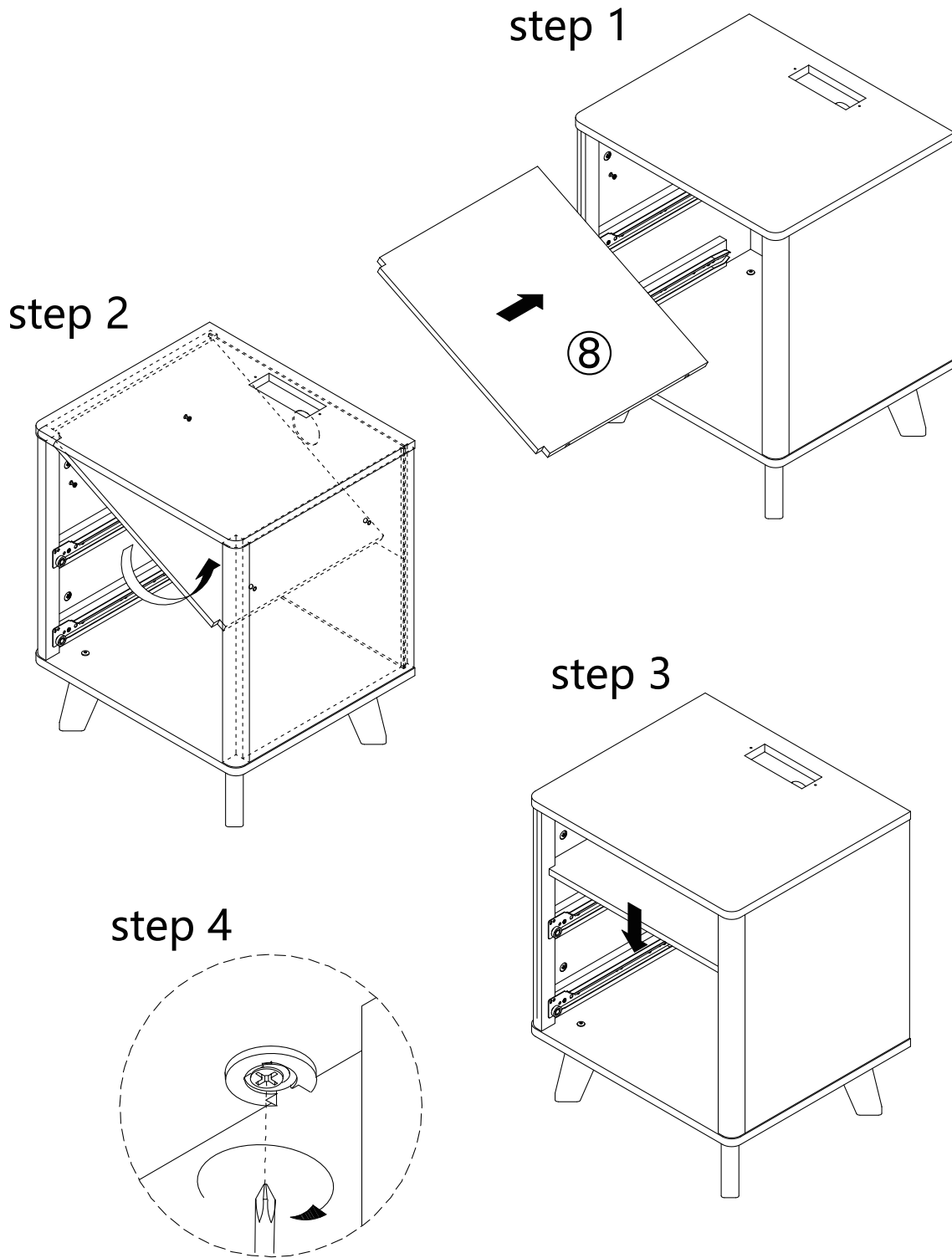


19

STEP 16

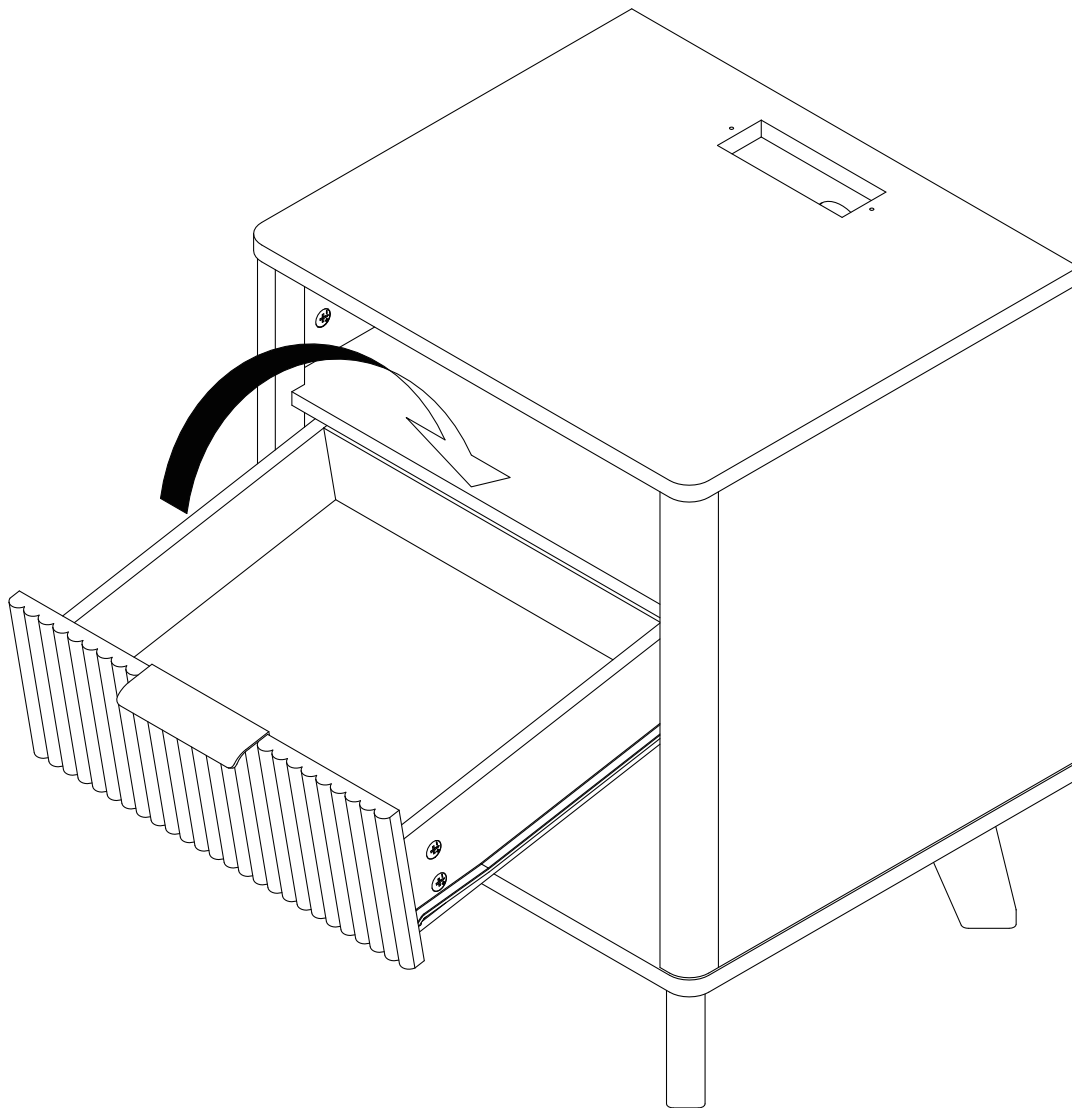


STEP 17



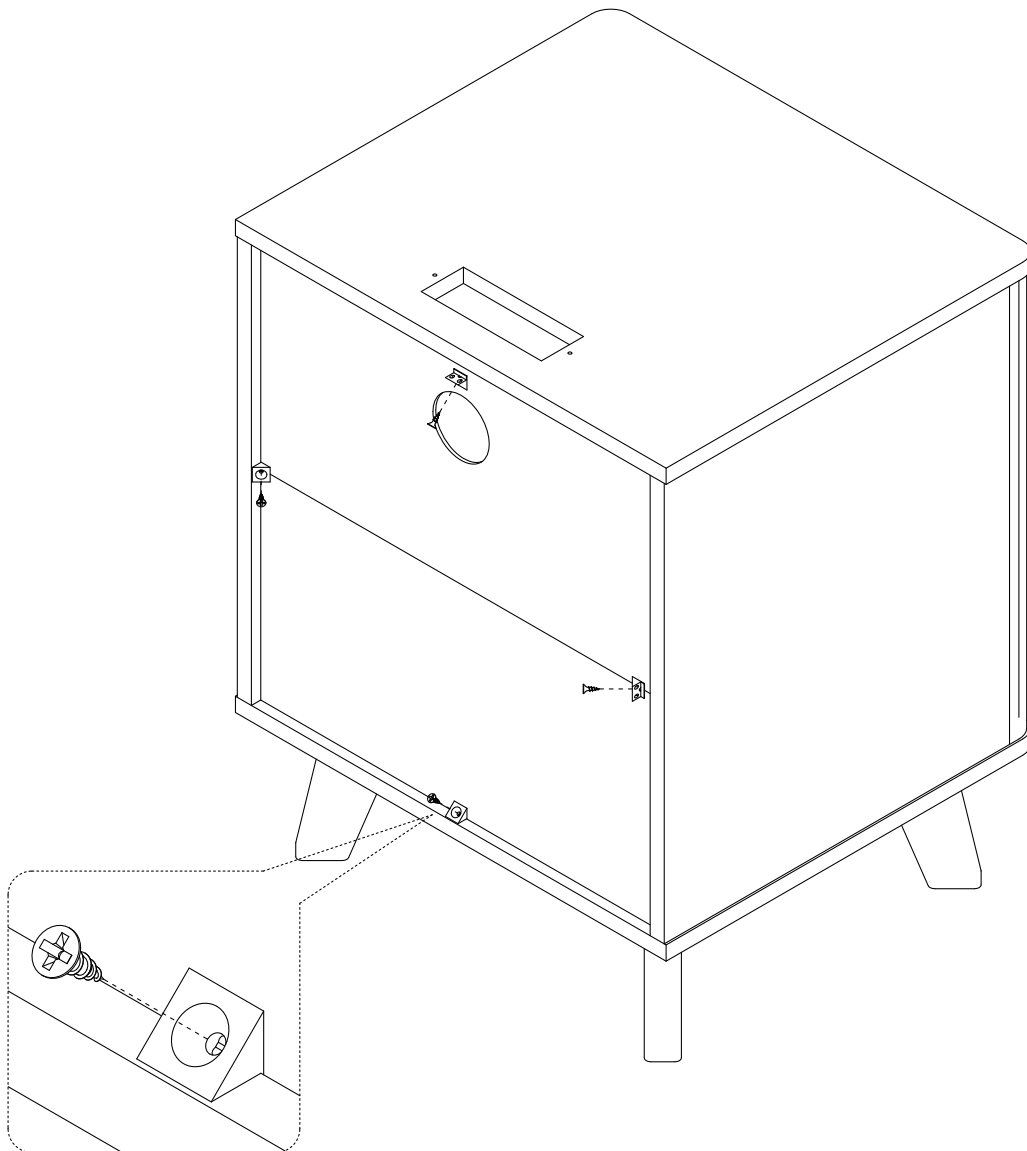
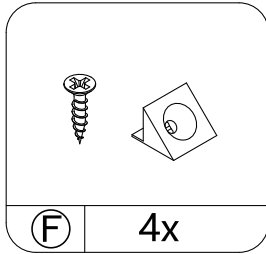
21

STEP 18



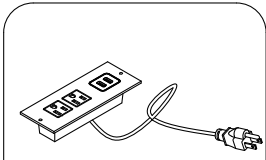
22

STEP 19



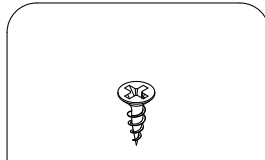
23

STEP 20



(G)

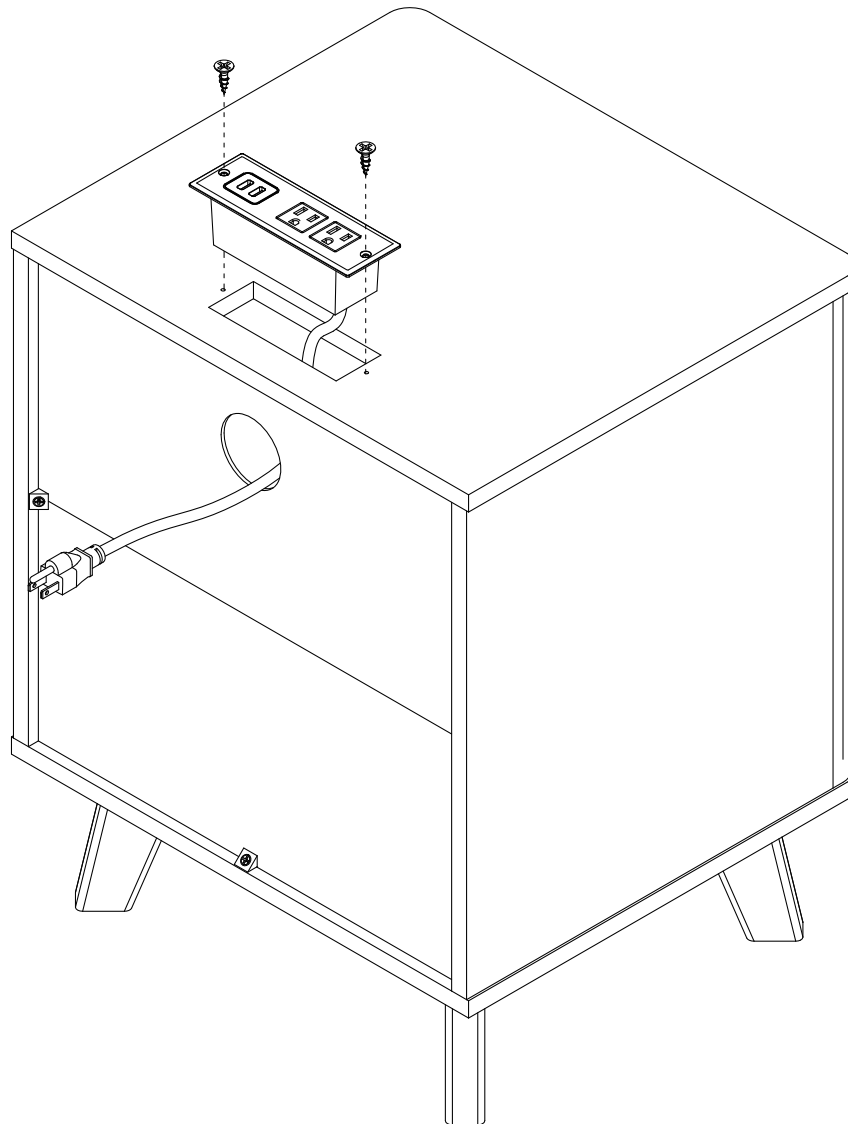
1x



M3.5*14

(H)

2x



FCC Regulatory Compliance

This device complies with part 15 of the FCC Rules. Operation is subject to the following two conditions:

(1) This device may not cause harmful interference, and (2) this device must accept any interference received, including interference that may cause undesired operation.

Warning: Changes or modifications not expressly approved by the party responsible for compliance could void the user's authority to operate the equipment.

Note: This equipment has been tested and found to comply with the limits for a Class B digital device, pursuant to Part 15 of the FCC Rules.

These limits are designed to provide reasonable protection against harmful interference in a residential installation. This equipment generates, uses and can radiate radio frequency energy and, if not installed and used in accordance with the instructions, may cause harmful interference to radio communications. However, there is no guarantee that interference will not occur in a particular installation.

If this equipment does cause harmful interference to radio or television reception, which can be determined by turning the equipment off and on, the user is encouraged to try to correct the interference by one or more of the following measures:

- Reorient or relocate the receiving antenna.
- Increase the separation between the equipment and receiver.
- Connect the equipment into an outlet on a circuit different from that to which the receiver is connected.
- Consult the dealer or an experienced radio/TV technician for help.