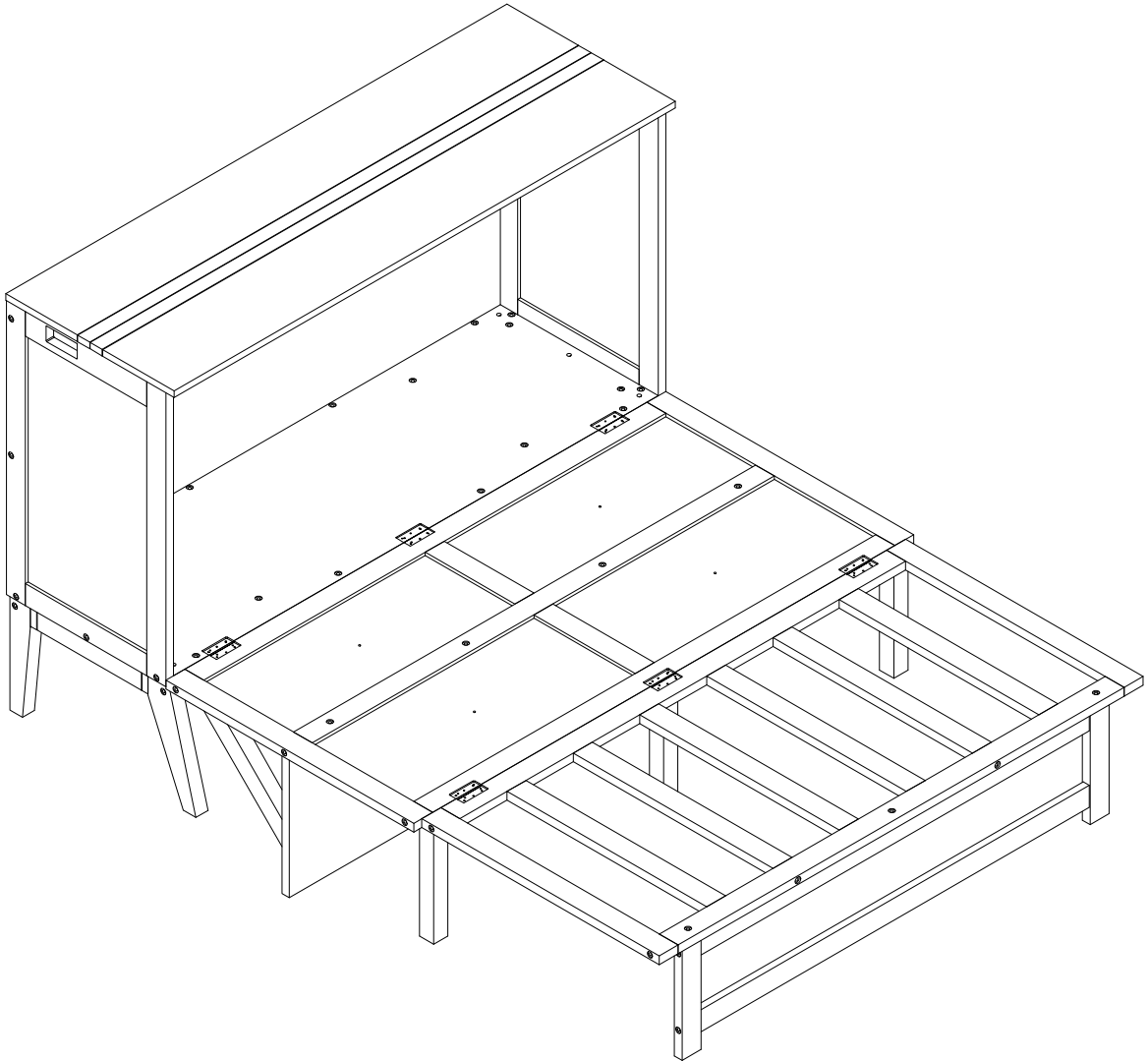
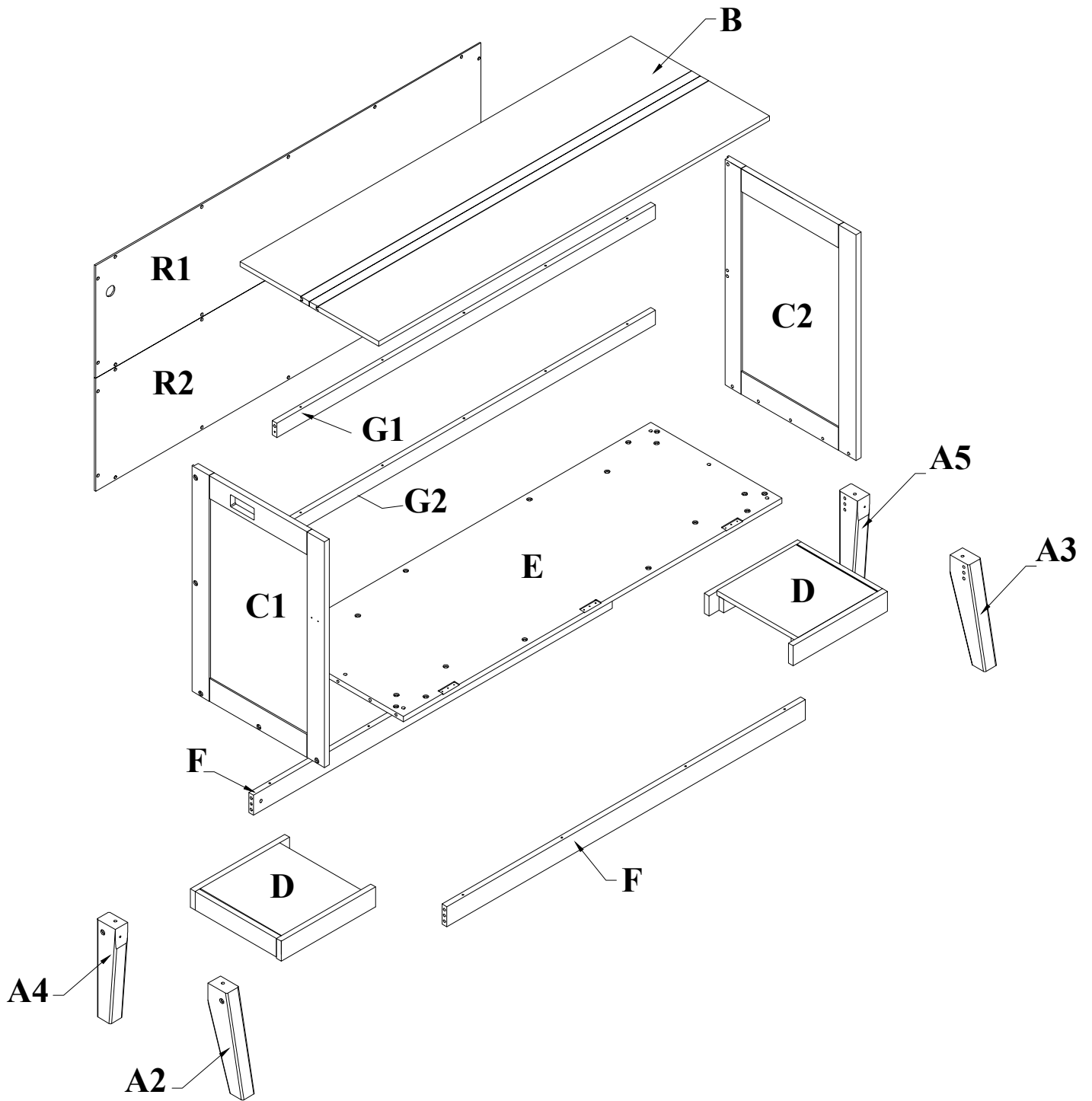


# ASSEMBLY INTRUCTIONS

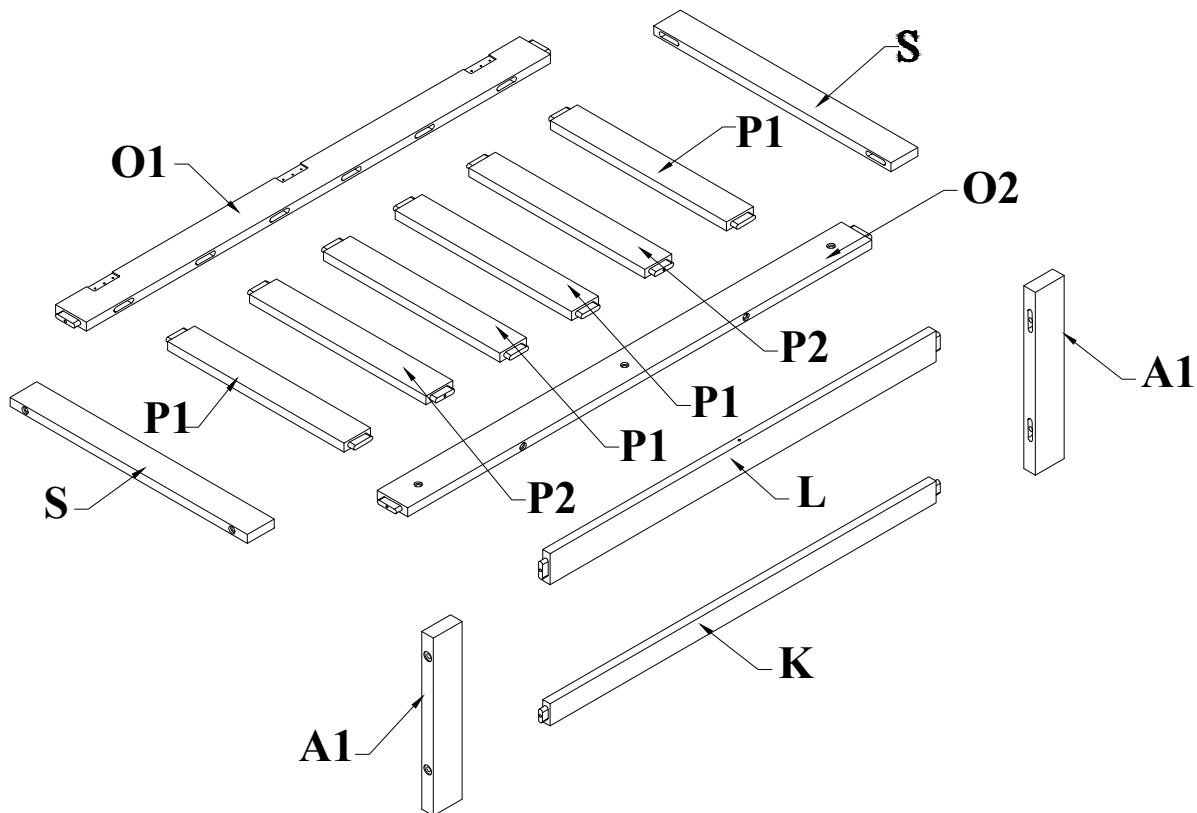
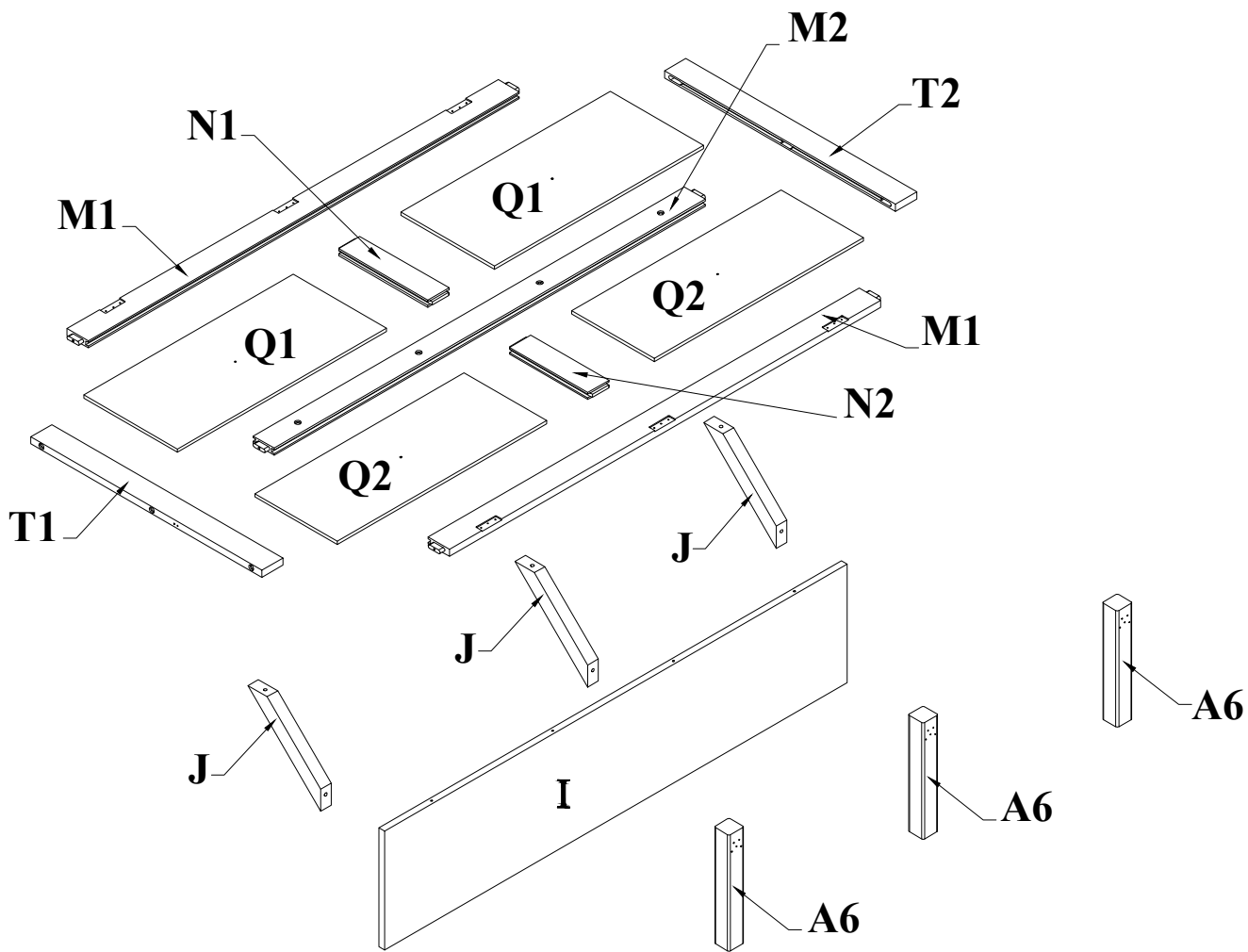
**ITEM NAME: QUEEN MURPHY BED  
WITH USB**



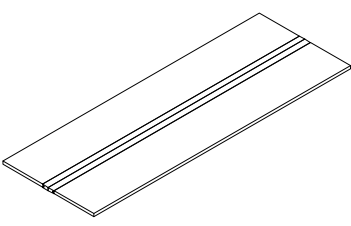
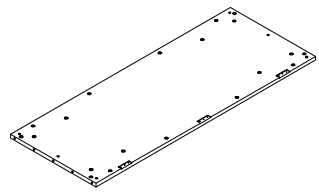
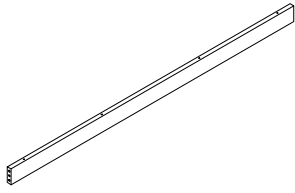
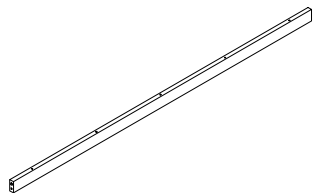
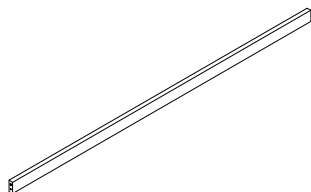
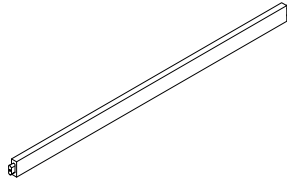
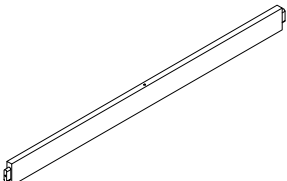
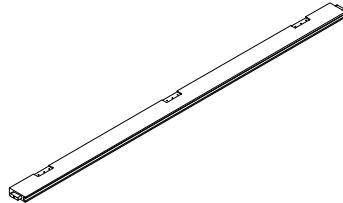
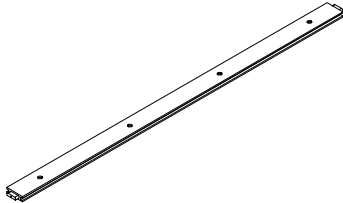
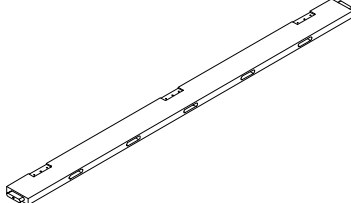
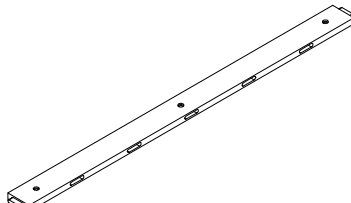
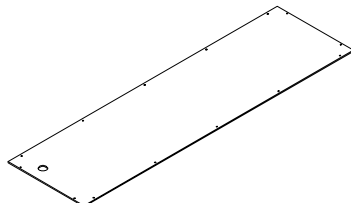
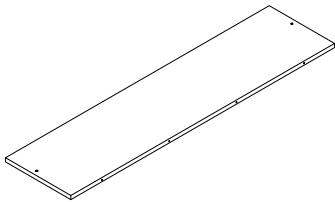
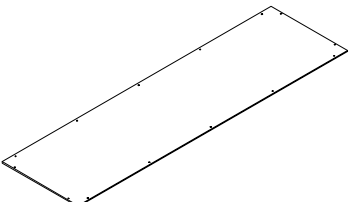
# DETAIL VIEW




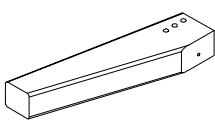
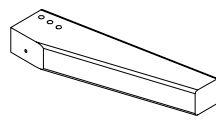
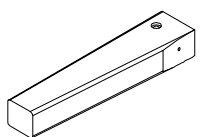
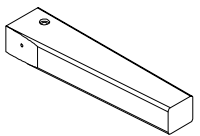
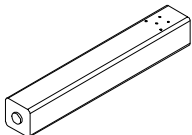
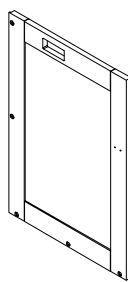
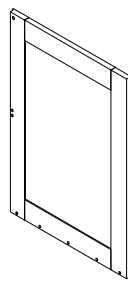
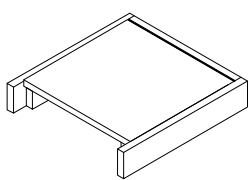
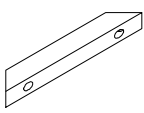
# DETAIL VIEW



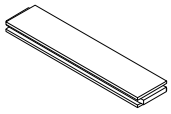
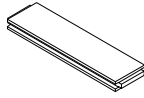
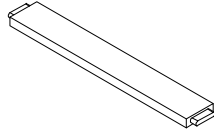
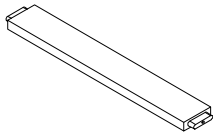
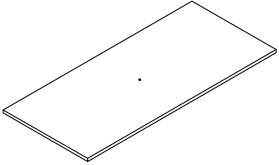
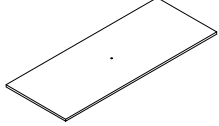
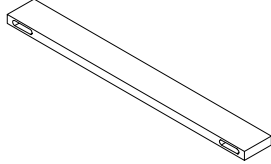
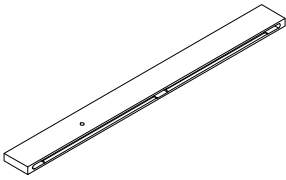
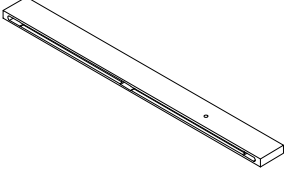
# BOX:1

<p><b>B</b></p>  <p><b>Top panel (1pc)</b></p>	<p><b>E</b></p>  <p><b>Bottom panel (1pc)</b></p>	<p><b>F</b></p>  <p><b>bottom-Support (2pcs)</b></p>	<p><b>G1</b></p>  <p><b>Back rail (1pc)</b></p>
<p><b>G2</b></p>  <p><b>Back rail (1pc)</b></p>	<p><b>K</b></p>  <p><b>Bottom - Support rail (1pc)</b></p>	<p><b>L</b></p>  <p><b>Upper - Support rail (1pc)</b></p>	<p><b>M1</b></p>  <p><b>Horizontal rail 1 (2pcs)</b></p>
<p><b>M2</b></p>  <p><b>Horizontal rail 2 (1pc)</b></p>	<p><b>O1</b></p>  <p><b>Horizontal rail 3 (1pc)</b></p>	<p><b>O2</b></p>  <p><b>Horizontal rail 4 (1pc)</b></p>	<p><b>R1</b></p>  <p><b>Back panel - top (1pc)</b></p>
<p><b>I</b></p>  <p><b>Desk-Top (1pc)</b></p>	<p><b>R2</b></p>  <p><b>Back panel - bottom (1pc)</b></p>		

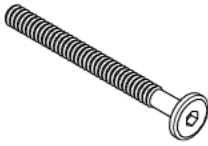



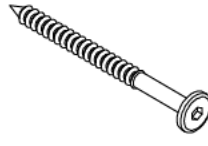



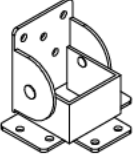
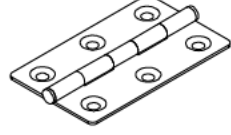
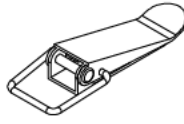

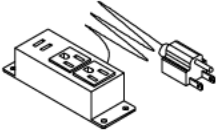
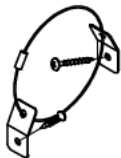


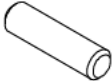
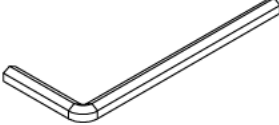
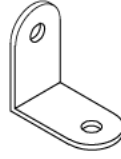


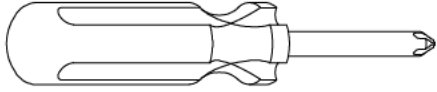
# BOX:2

<p><b>A1</b></p>  <p>Front leg (2pcs)</p>	<p><b>A2</b></p>  <p>Middle leg - left (1pc)</p>	<p><b>A3</b></p>  <p>Middle leg - right (1pc)</p>	<p><b>A4</b></p>  <p>Back leg - left (1pc)</p>
<p><b>A5</b></p>  <p>Back leg - right (1pcs)</p>	<p><b>A6</b></p>  <p>Center Support legs (3pcs)</p>	<p><b>C1</b></p>  <p>Side frame - left (1pc)</p>	<p><b>C2</b></p>  <p>Side frame - right (1pc)</p>
<p><b>D</b></p>  <p>Table - top (2pcs)</p>	<p><b>J</b></p>  <p>Angle - Support (3pcs)</p>		

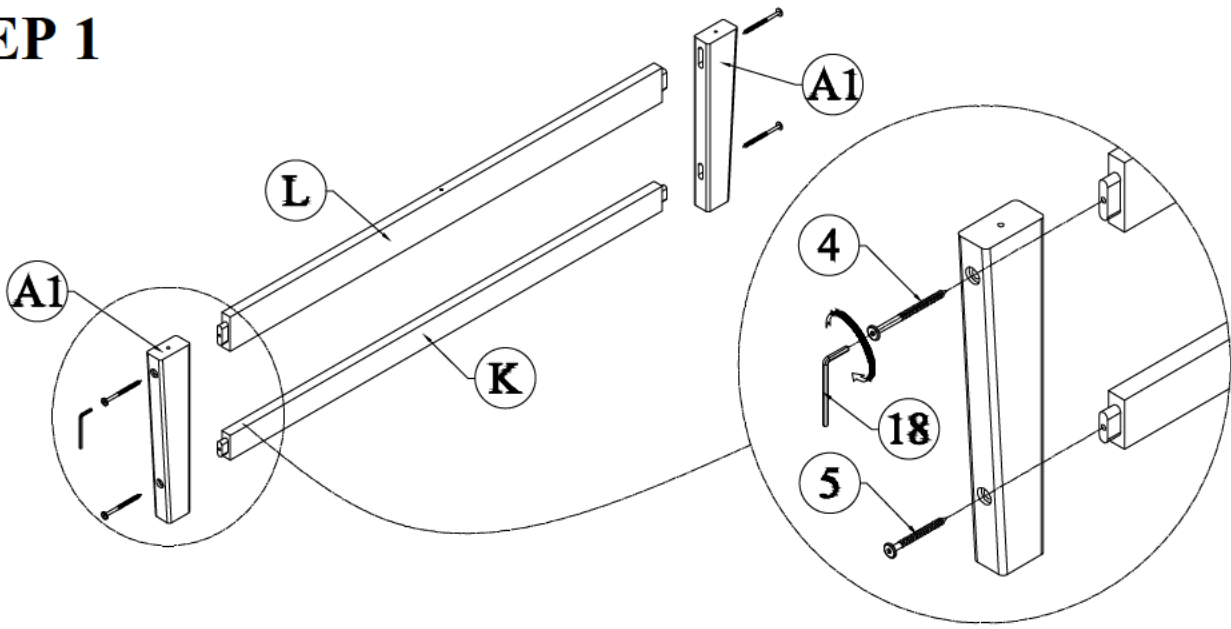
# BOX:2

<p><b>N1</b></p>  <p><b>Verical rail - long (1pc)</b></p>	<p><b>N2</b></p>  <p><b>Verical rail - short (1pc)</b></p>	<p><b>P1</b></p>  <p><b>Verical bar 1 (4pcs)</b></p>	<p><b>P2</b></p>  <p><b>Verical bar 2 (2pcs)</b></p>
<p><b>Q1</b></p>  <p><b>Front panel - large (2pcs)</b></p>	<p><b>Q2</b></p>  <p><b>Front panel - small (2pcs)</b></p>	<p><b>S</b></p>  <p><b>Verical side rail1 1 (2pcs)</b></p>	<p><b>T1</b></p>  <p><b>Verical side rail 2 -left (1pc)</b></p>
<p><b>T2</b></p>  <p><b>Verical side rail 2- right (1pc)</b></p>			

# HARDWARE LIST:BOX2

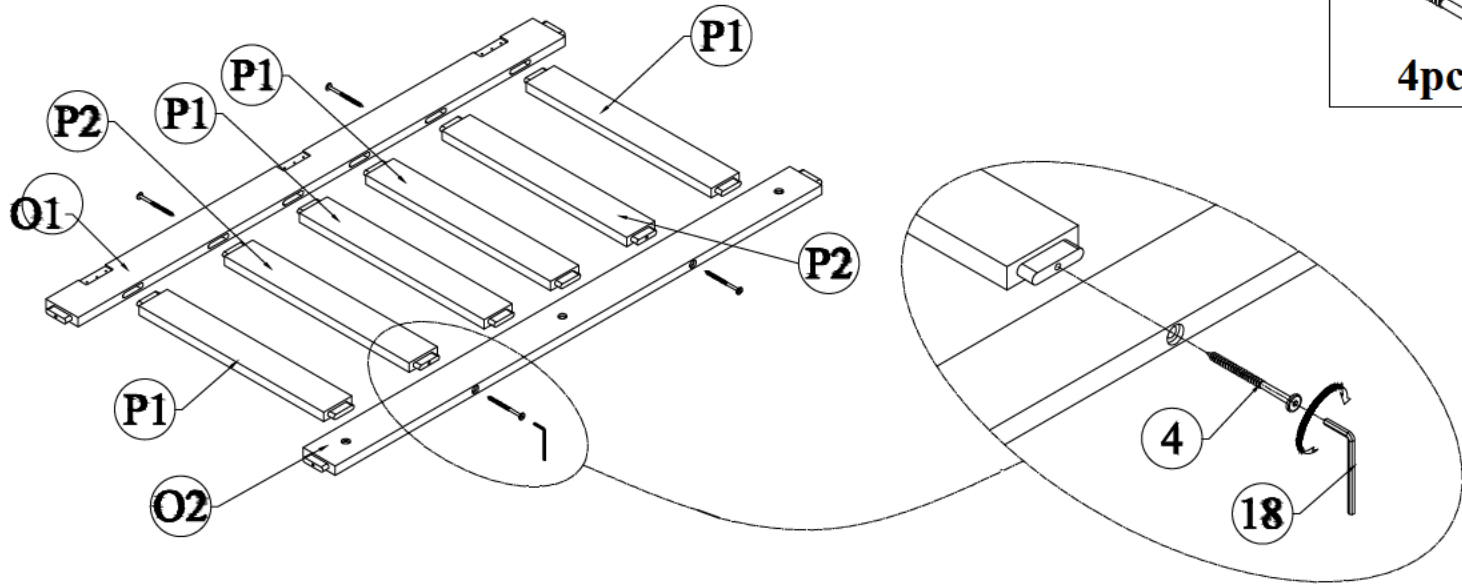
<p><b>1</b></p>  <p><b>Hex - Head bolts</b> Ø1/4"*60 - 6pcs</p>	<p><b>2</b></p>  <p><b>Hex - Head bolts</b> Ø1/4"*35 - 6pcs</p>	<p><b>3</b></p>  <p><b>Hex-Head screw</b> Ø6"*70 - 4pcs</p>	<p><b>4</b></p>  <p><b>Hex-Head screw</b> Ø6"*100 - 20pcs</p>
<p><b>5</b></p>  <p><b>Hex-Head screw</b> Ø6"*80 - 2pcs</p>	<p><b>6</b></p>  <p><b>Hex-Head screw</b> Ø6"*50 - 24pcs</p>	<p><b>7</b></p>  <p><b>Hex-Head screw</b> Ø6"*40 - 3pcs</p>	<p><b>8</b></p>  <p><b>Horizontal - Hold bolts</b> Ø1/4" - 6pcs</p>
<p><b>9</b></p>  <p><b>Foldable-bracket - 3pcs</b></p>	<p><b>10</b></p>  <p><b>Hinge - 6pcs</b></p>	<p><b>11</b></p>  <p><b>Duckbill lock A - 2pcs</b></p>	<p><b>12</b></p>  <p><b>Duckbill lock B - 2pcs</b></p>
<p><b>13</b></p>  <p><b>Power outlet - 1pc</b></p>	<p><b>14</b>     <b>Discovery</b></p>  <p><b>Anti - tip Kit - 2sets</b></p>	<p><b>15</b></p>  <p><b>Wooden-Knob - 4pcs</b></p>	<p><b>16</b></p>  <p><b>Pan-Head bolts</b> Ø5/32" * 15 - 4pcs</p>
<p><b>17</b></p>  <p><b>Wooden dowel</b> Ø8 * 30 - 20pcs</p>	<p><b>18</b></p>  <p><b>Allen key</b> K4 - 1pc</p>	<p><b>19</b></p>  <p><b>Bracket - 6pcs</b></p>	<p><b>20</b></p>  <p><b>Wood crews</b> M3.5 * 15 - 56pcs</p>
<p><b>21</b></p>  <p><b>Pan-Head screw</b> M4*20 - 65pcs</p>	 <p><b>Assembly Tools Required (Not Included)</b></p>		

# STEP 1



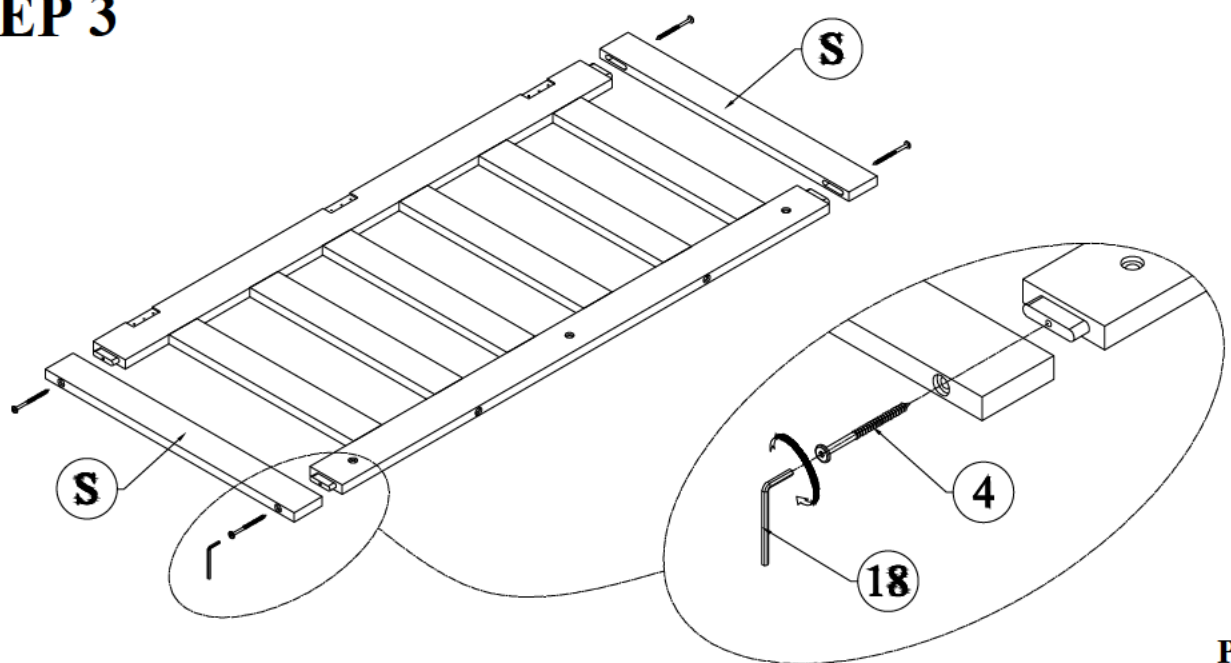
- 4 2pcs
- 5 2pcs

# STEP 2



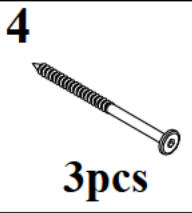
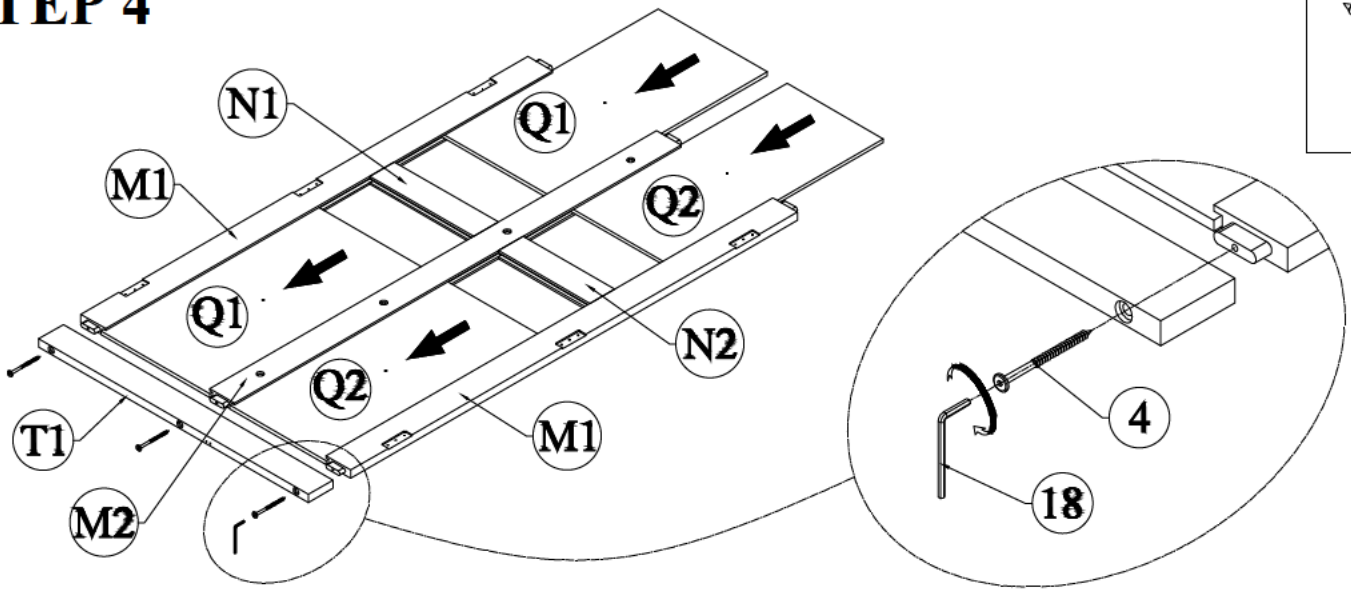
- 4 4pcs

# STEP 3

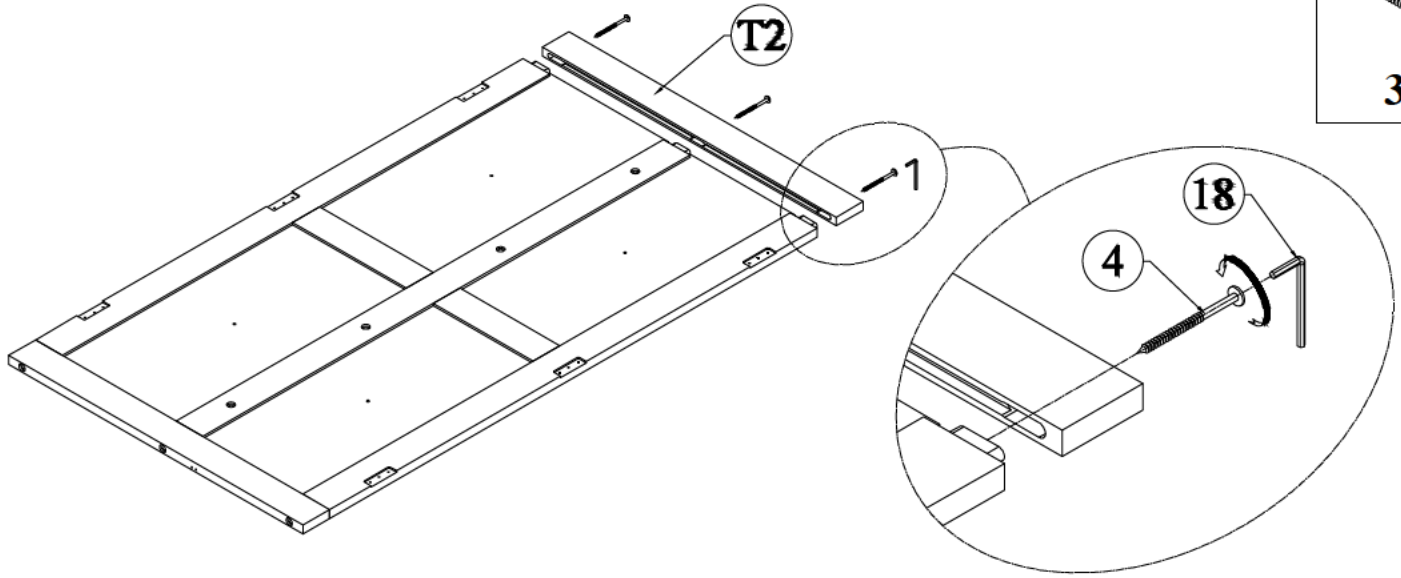


- 4 4pcs

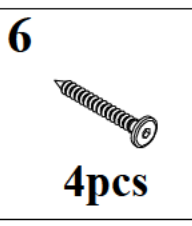
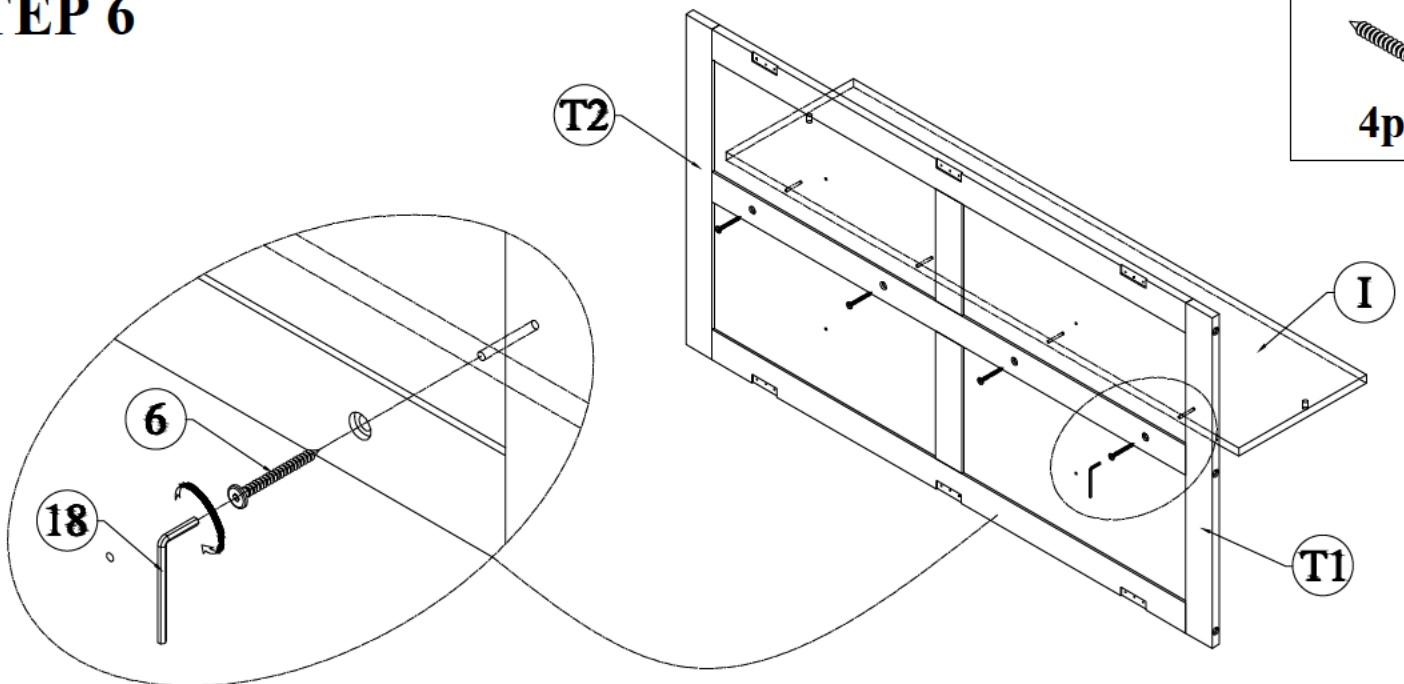
# STEP 4



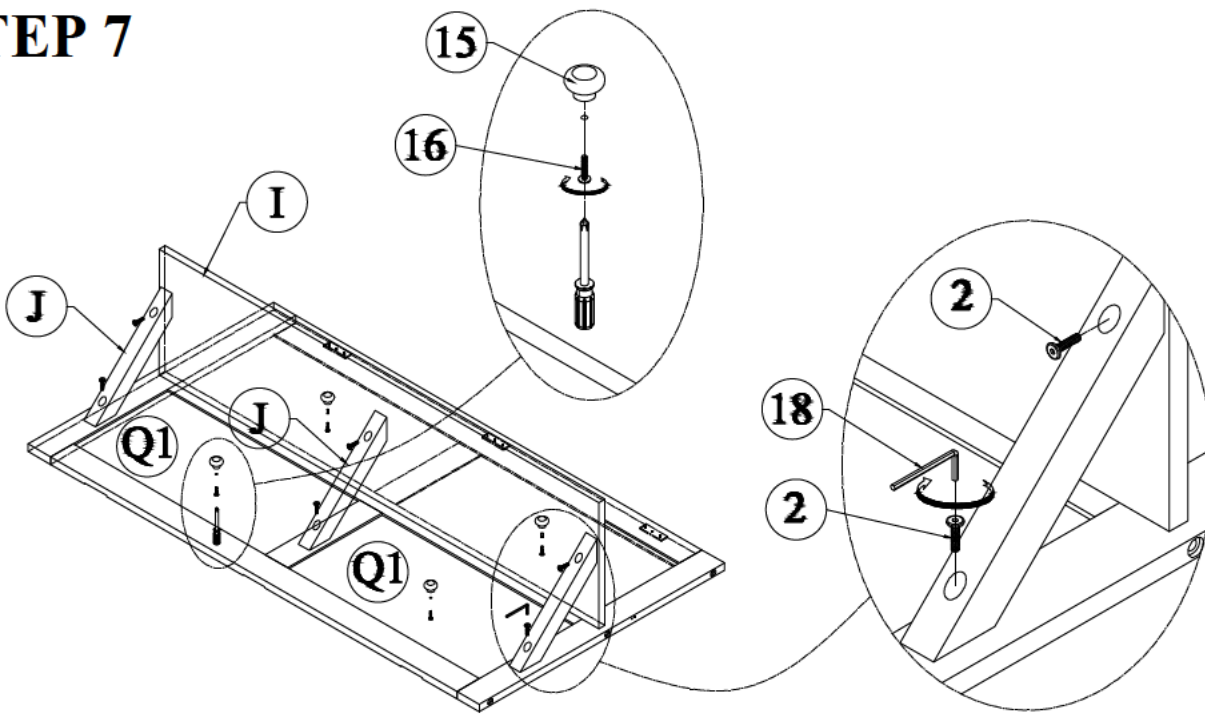
# STEP 5






# STEP 6

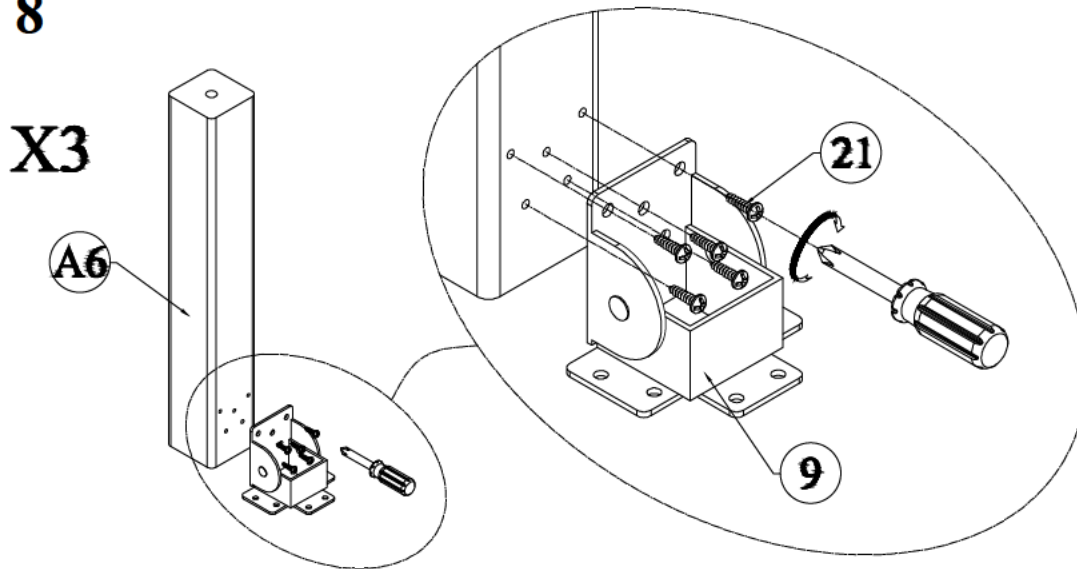




# STEP 7



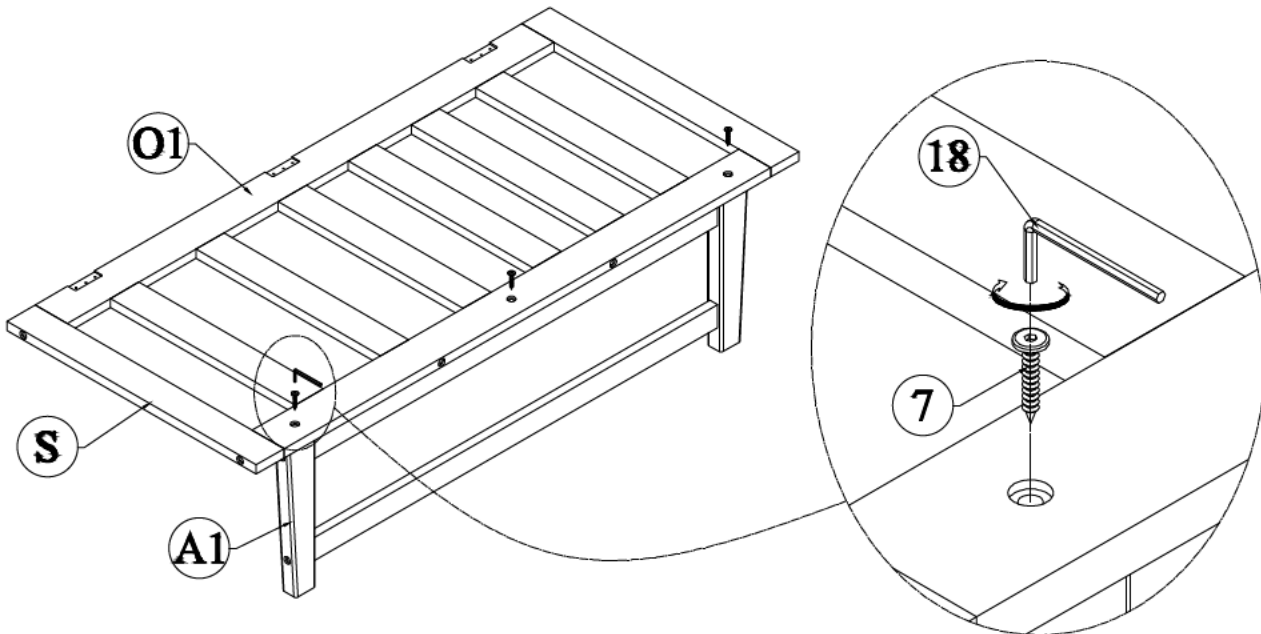
- 2**  
  
6pcs
- 15**  
  
4pcs
- 16**  
  
4pcs

# STEP 8



- 9**  
  
3pcs
- 21**  
  
15pcs

# STEP 9



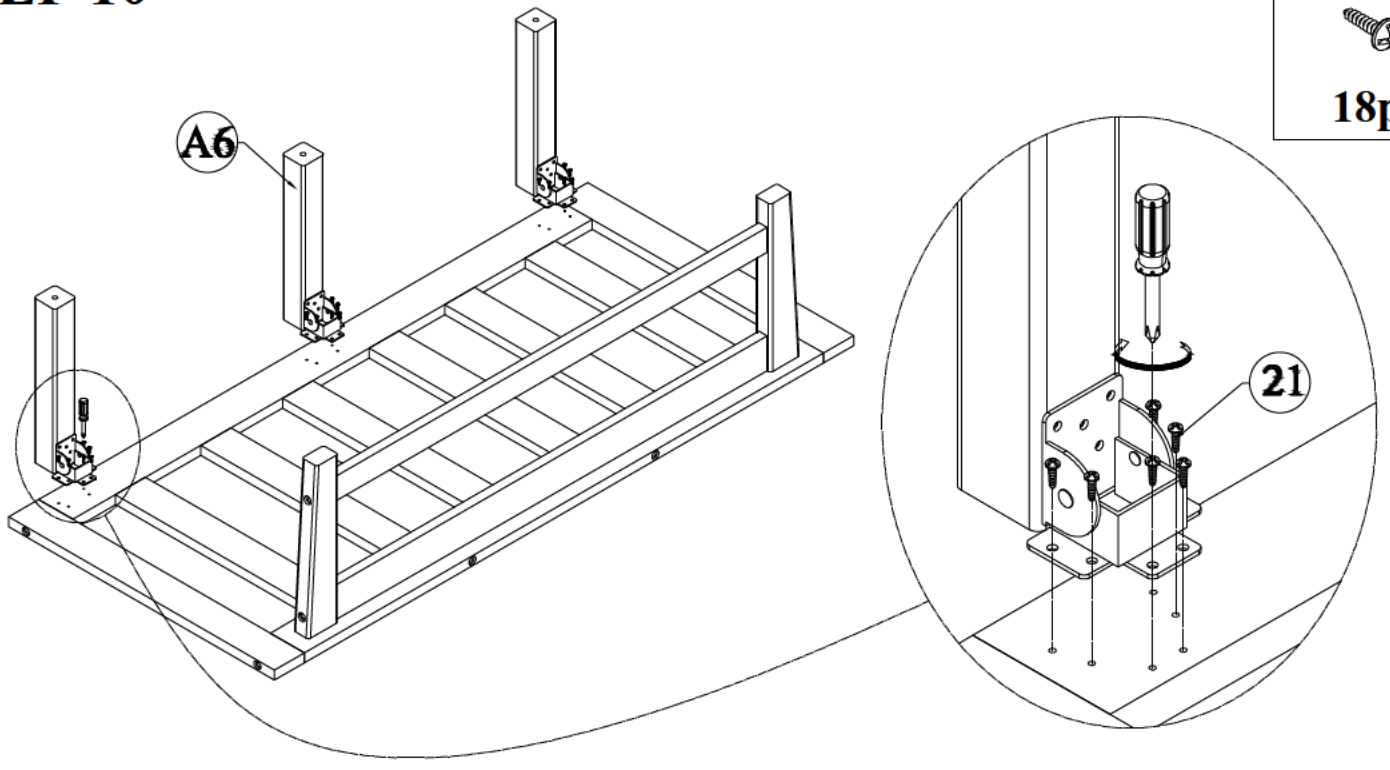
- 7**  
  
3pcs

21



18pcs

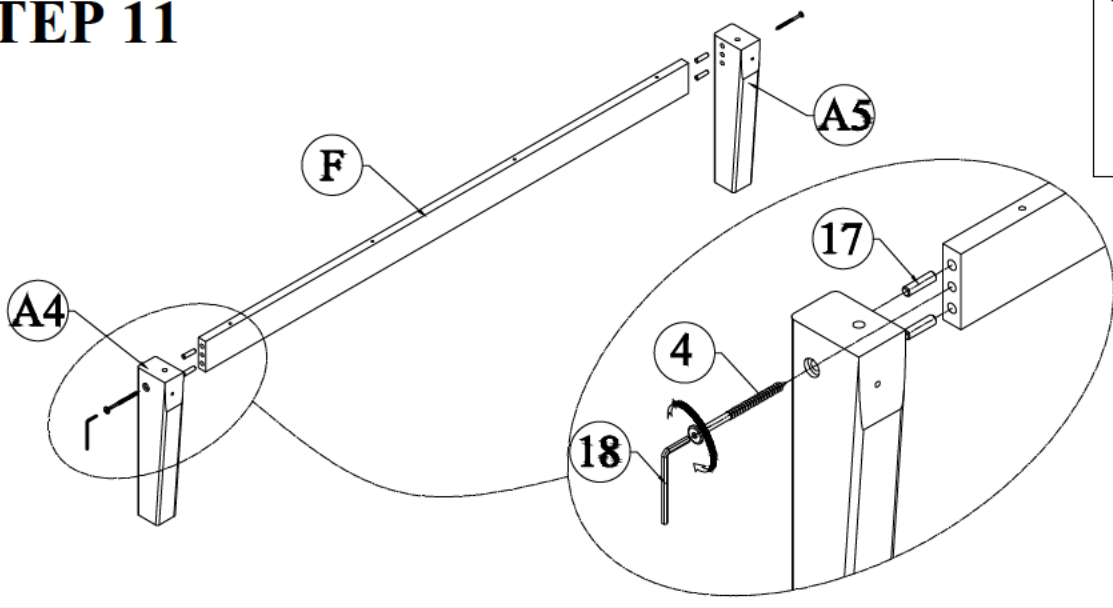
# STEP 10



# STEP 11

4  
2pcs

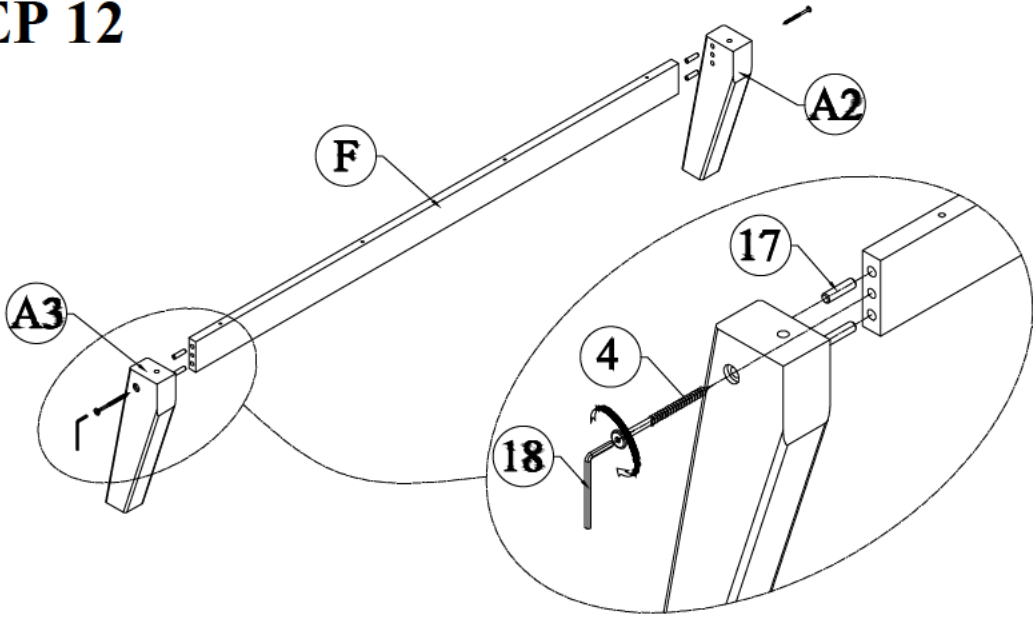
17  
4pcs



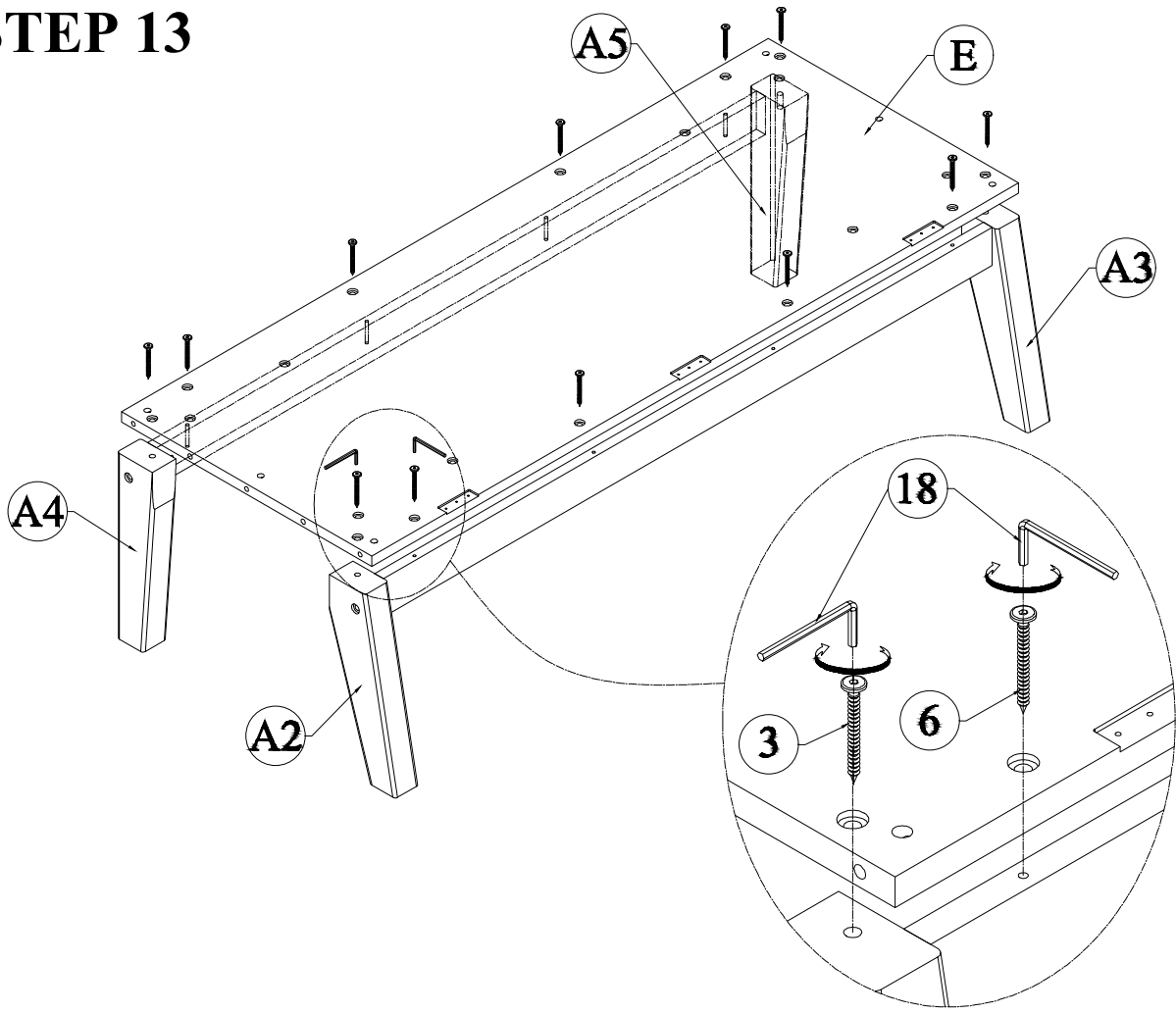
# STEP 12



4  
2pcs

17  
4pcs

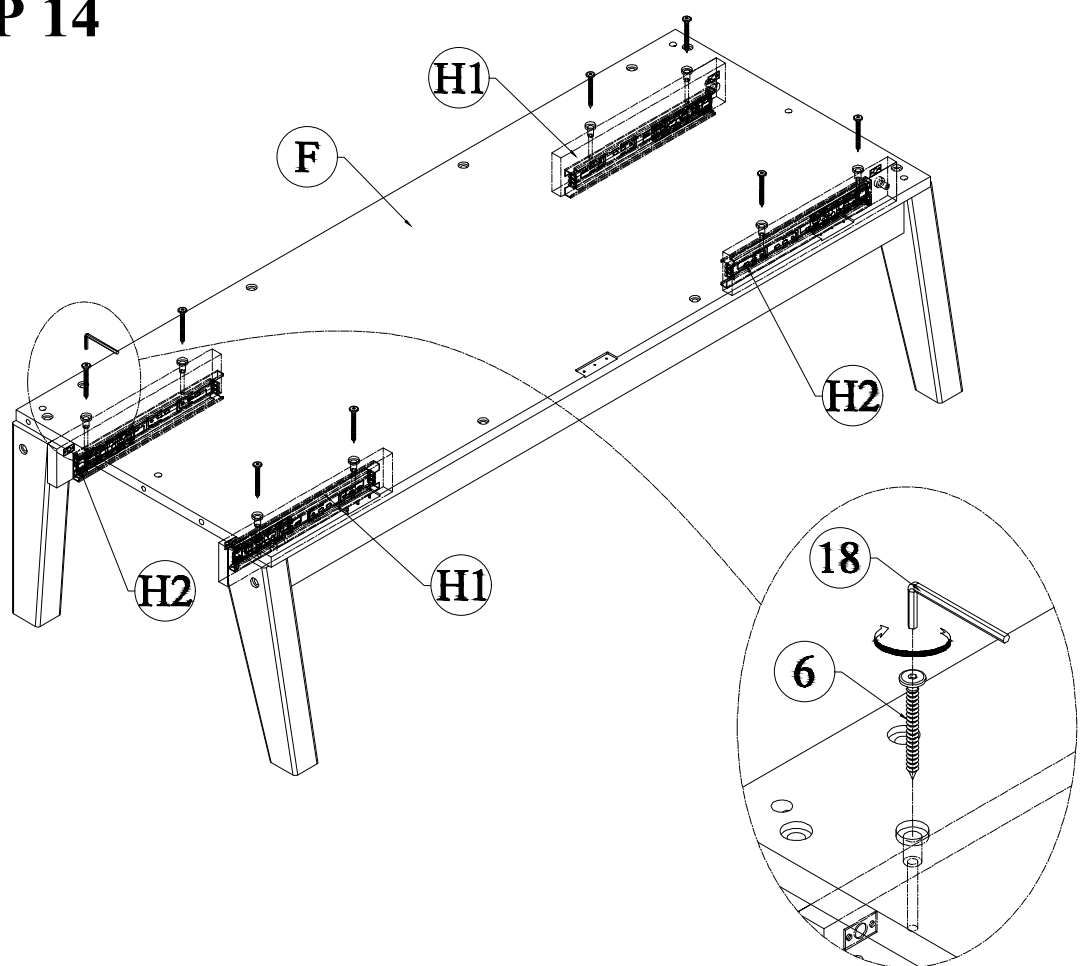



# STEP 13







- 3**  
  
**4pcs**
- 6**  
  
**8pcs**

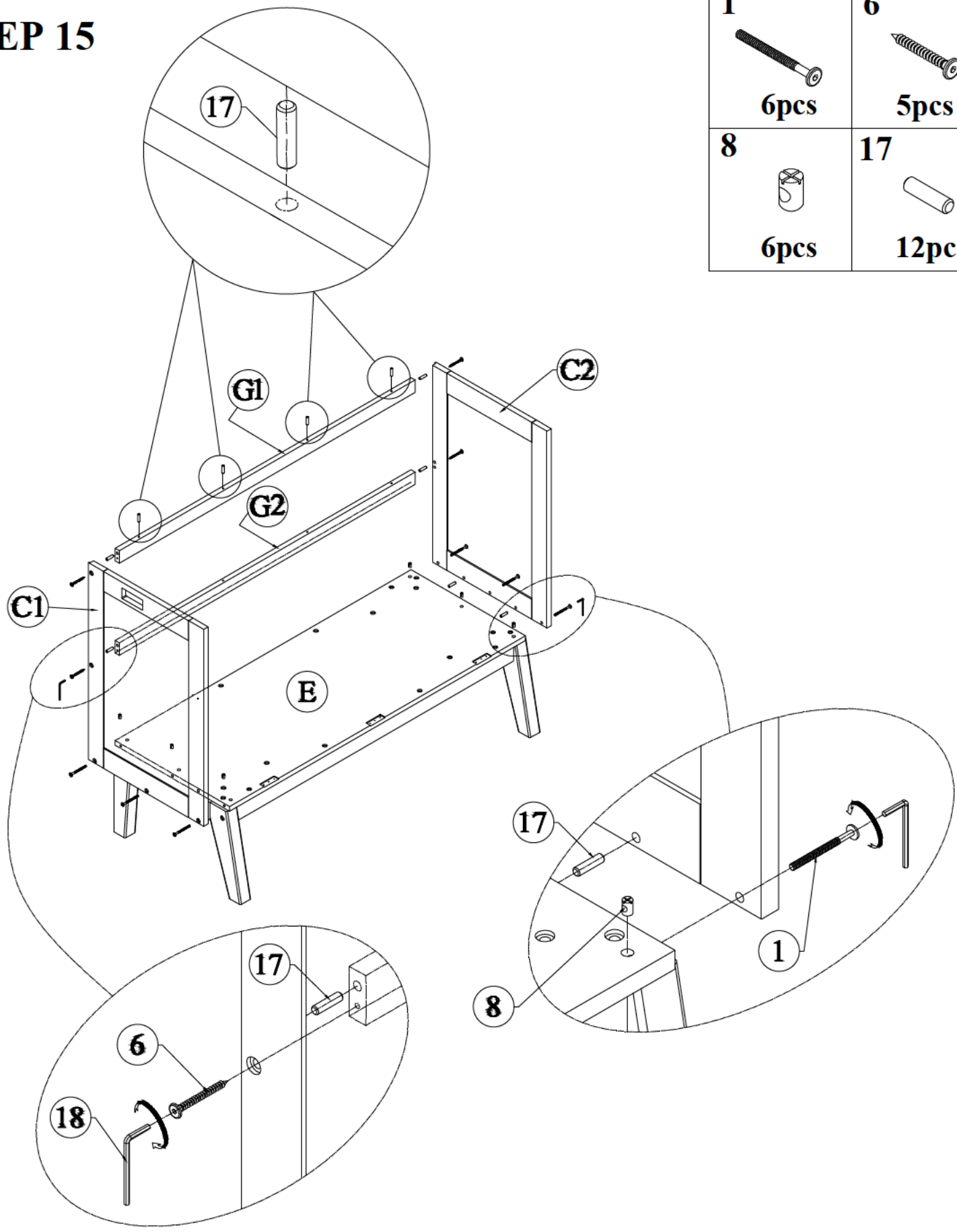
# STEP 14



- 6**  
  
**8pcs**

# STEP 15

<b>1</b>  <b>6pcs</b>	<b>6</b>  <b>5pcs</b>
<b>8</b>  <b>6pcs</b>	<b>17</b>  <b>12pcs</b>



# STEP 16

20

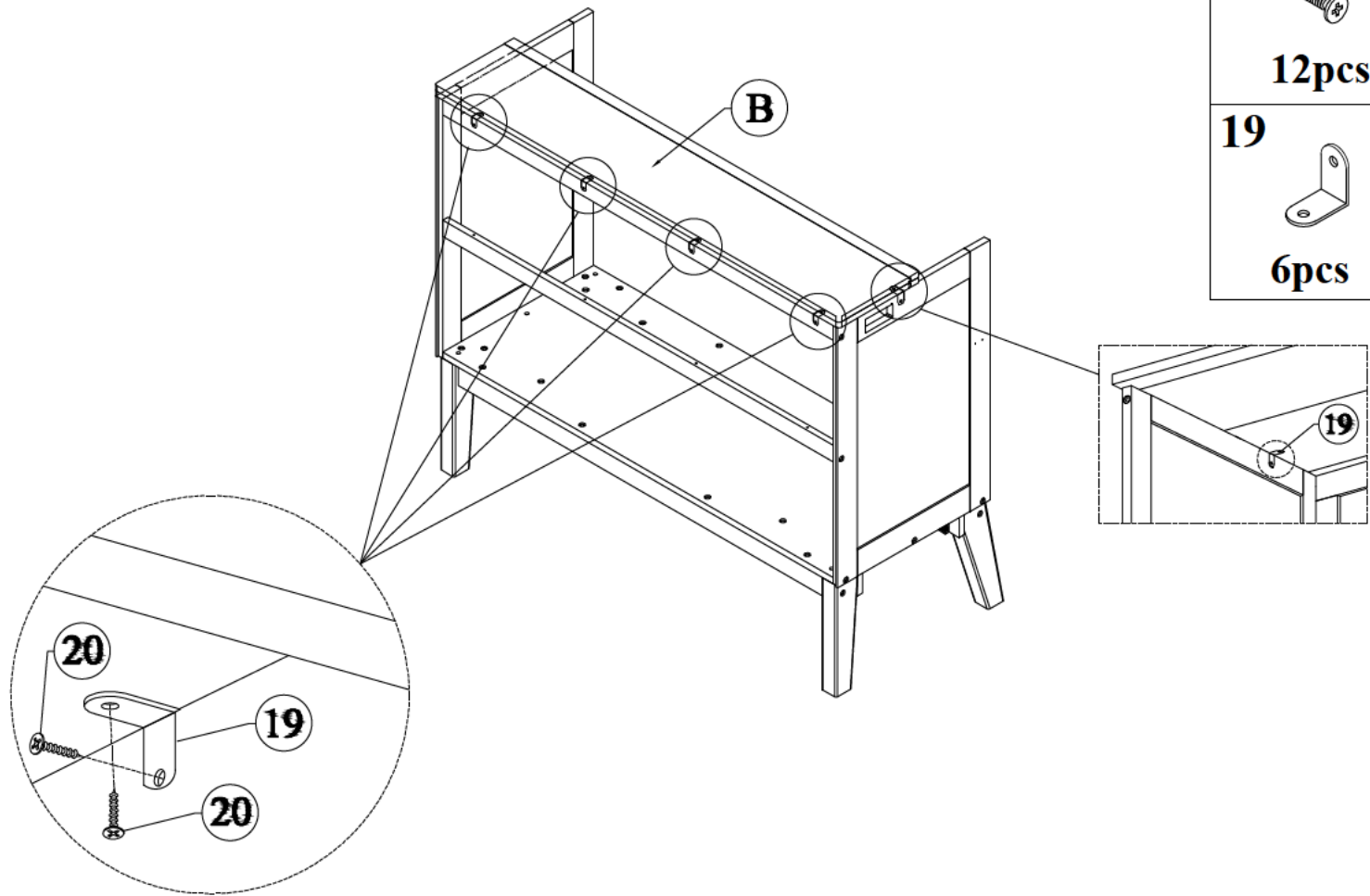


12pcs

19



6pcs

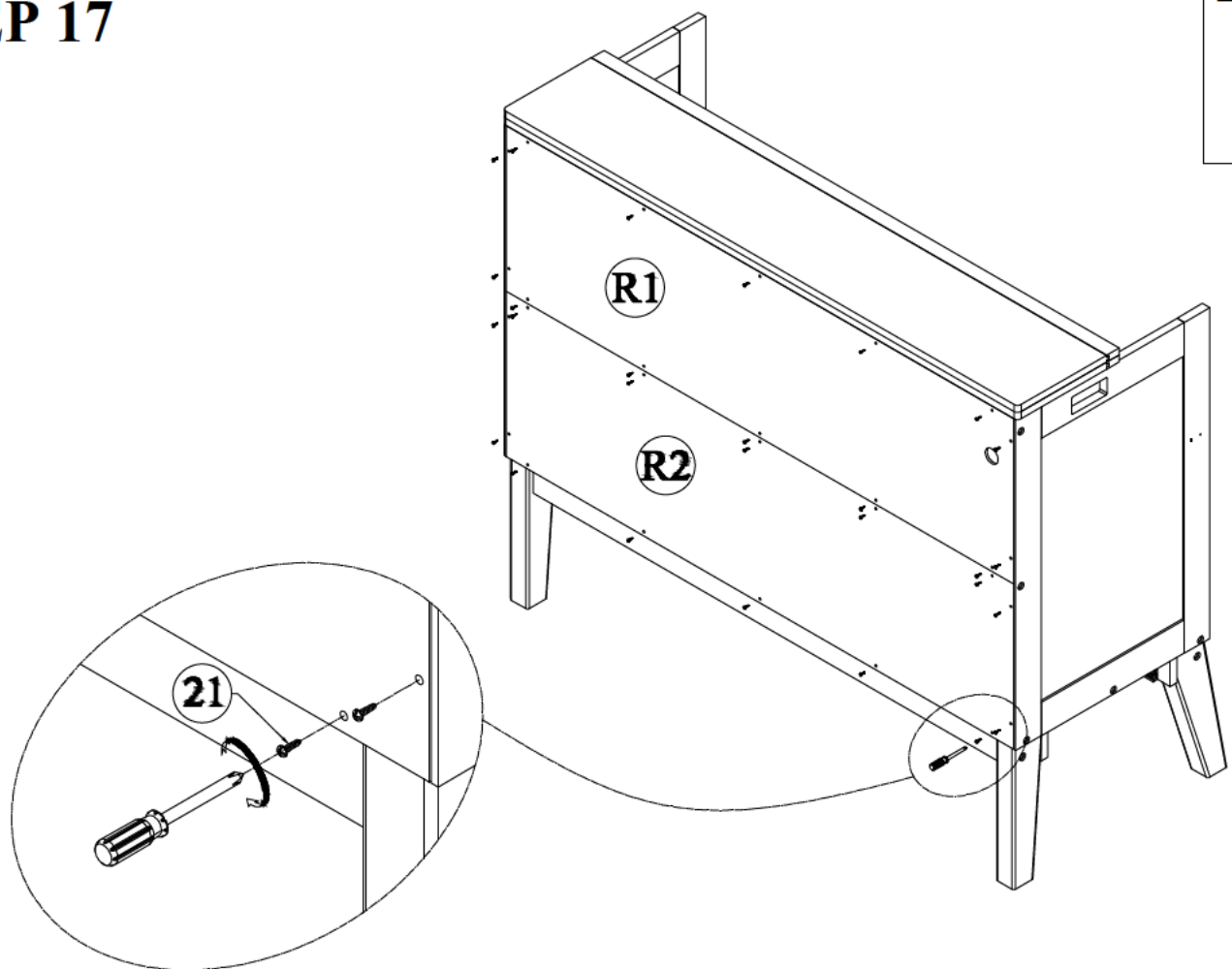


# STEP 17

21

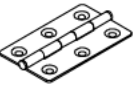


28pcs



# STEP 18

10

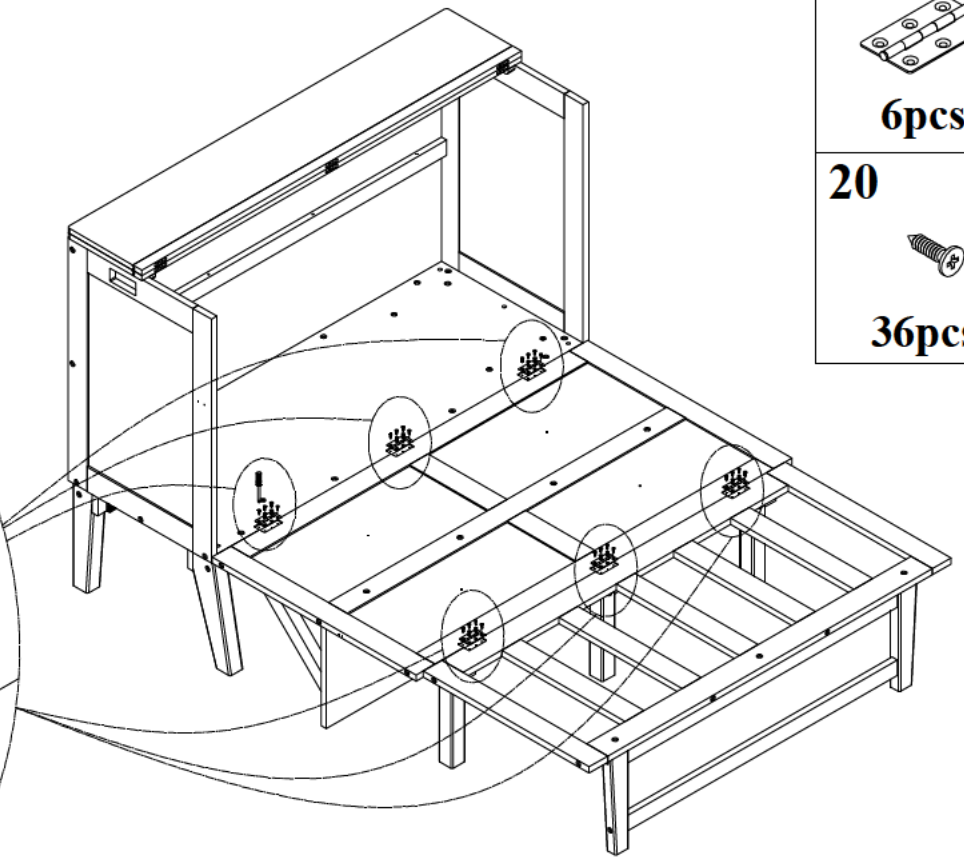
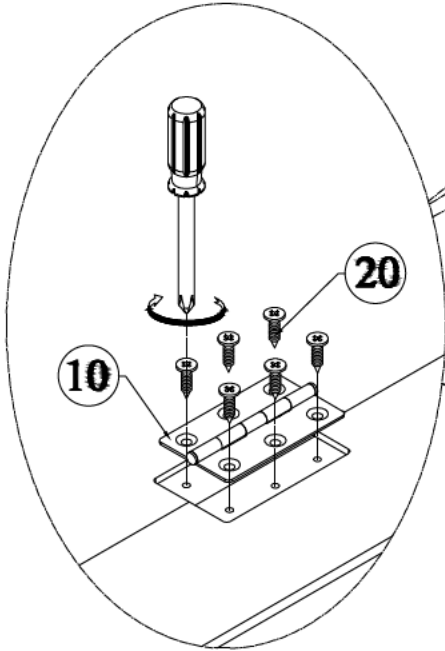


6pcs

20

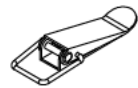


36pcs



# STEP 19

11



2pcs

12

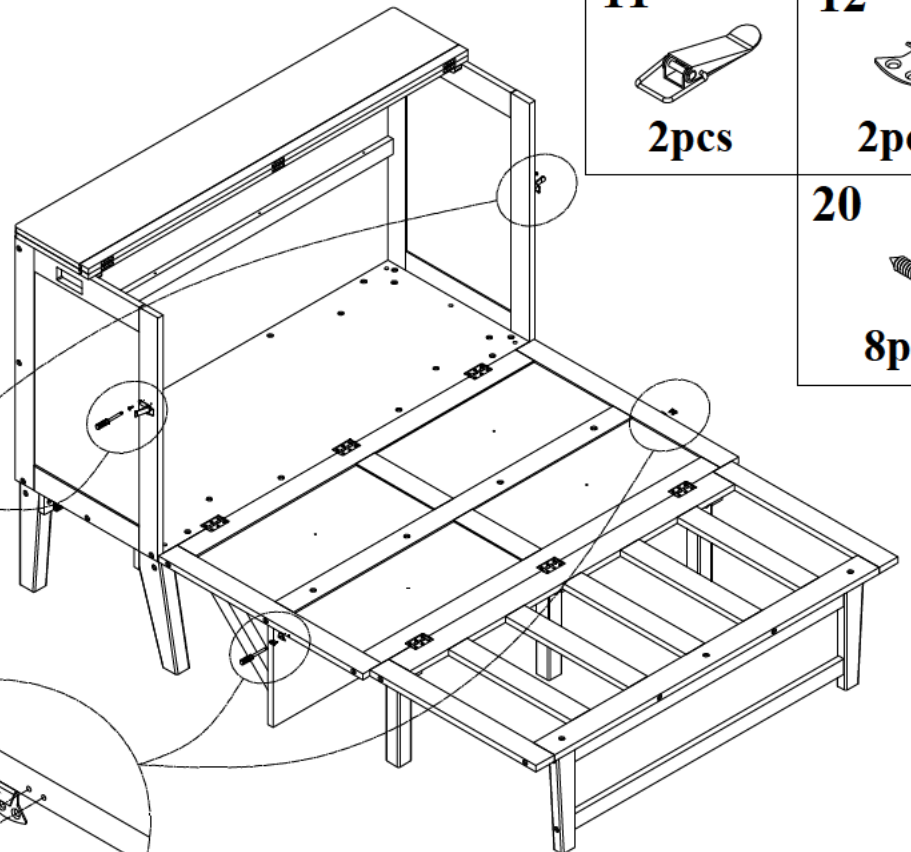
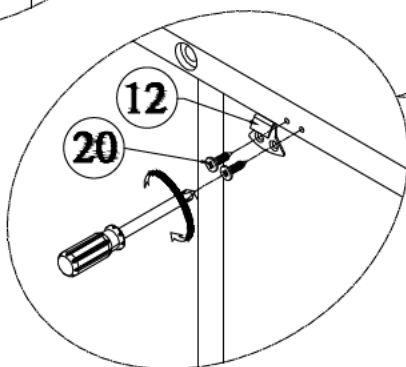
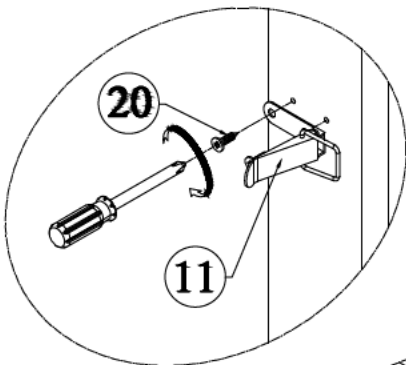


2pcs

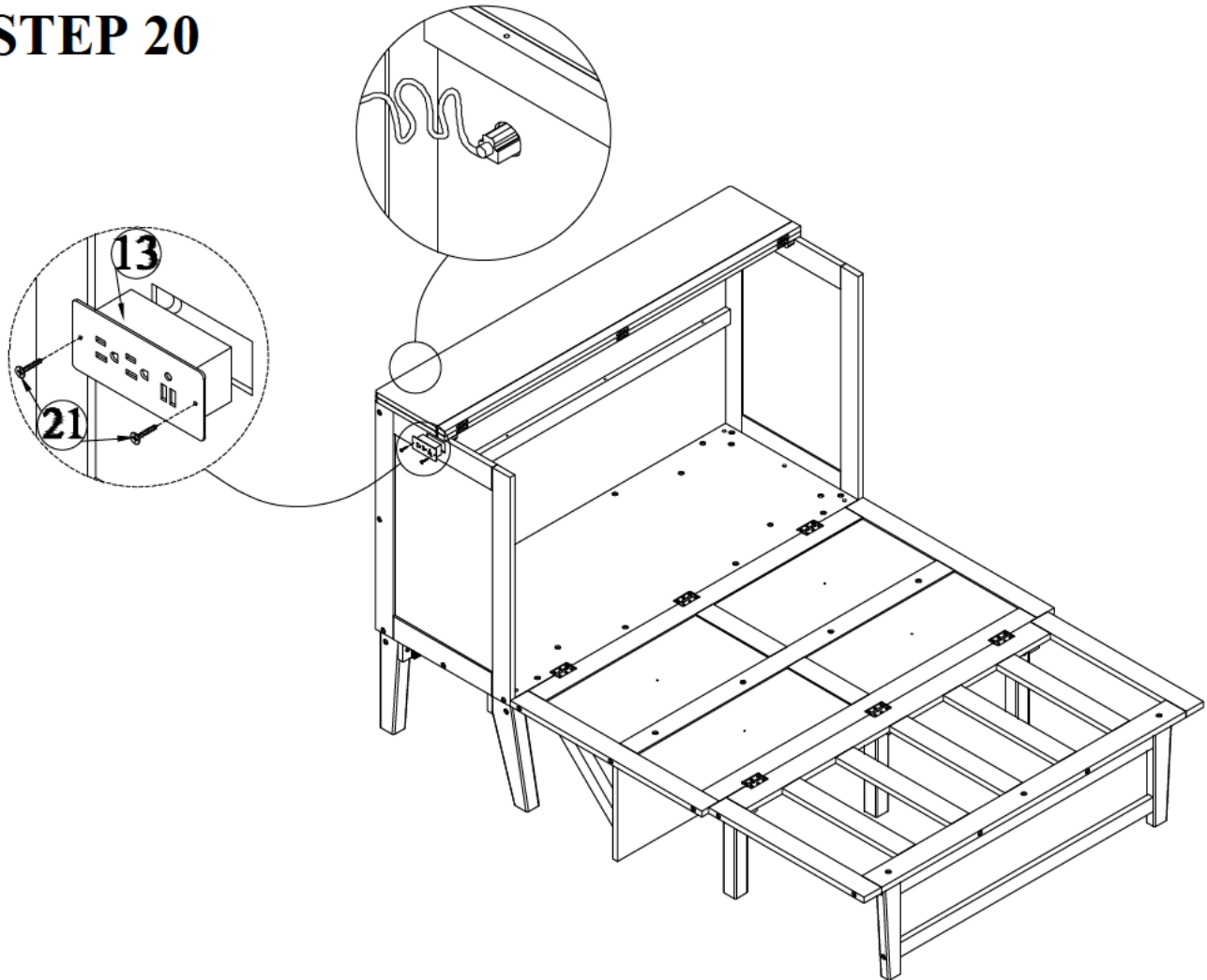
20



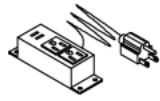
8pcs



# STEP 20



13



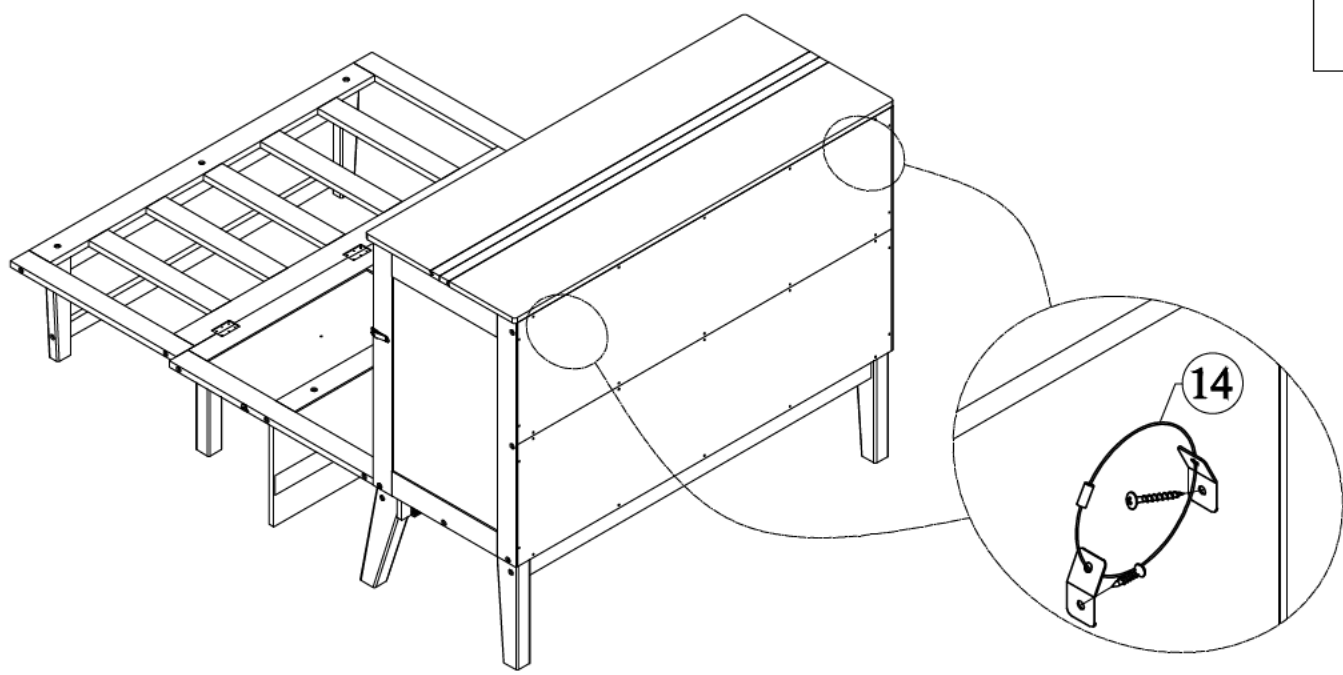
1pc

21



4pcs

# STEP 21

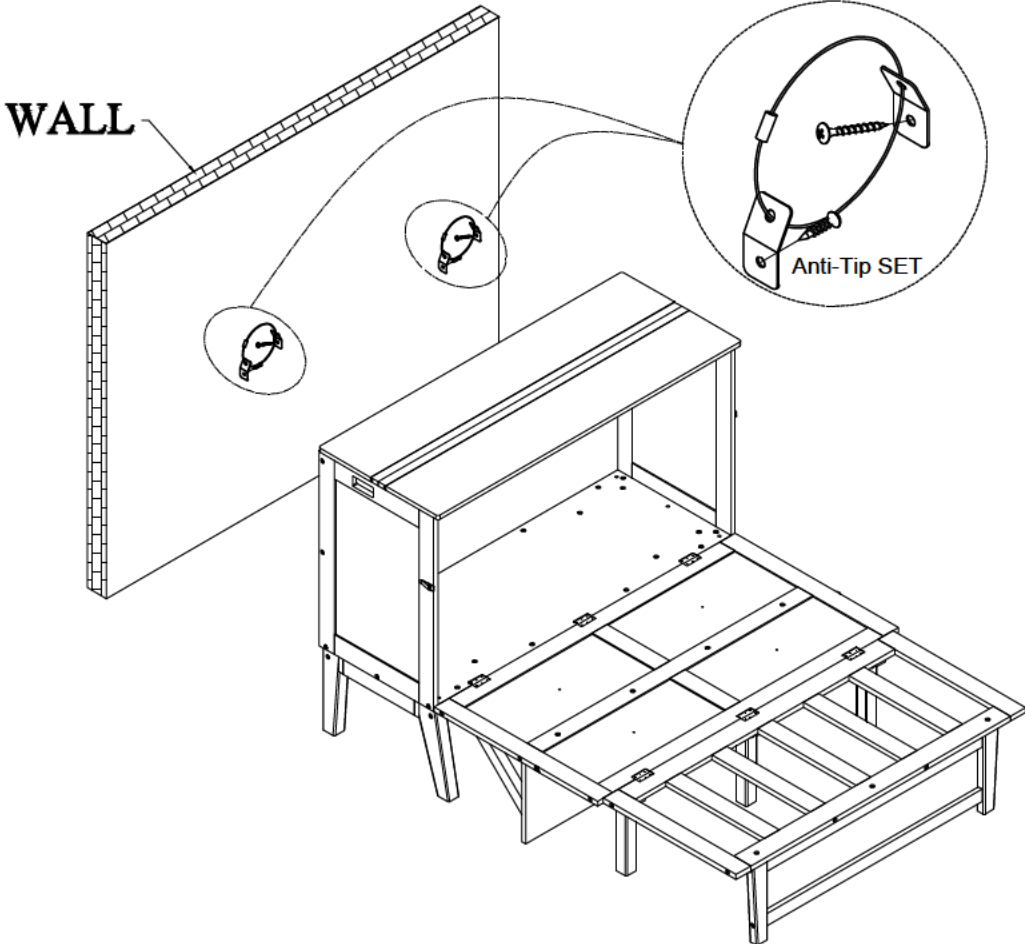


14

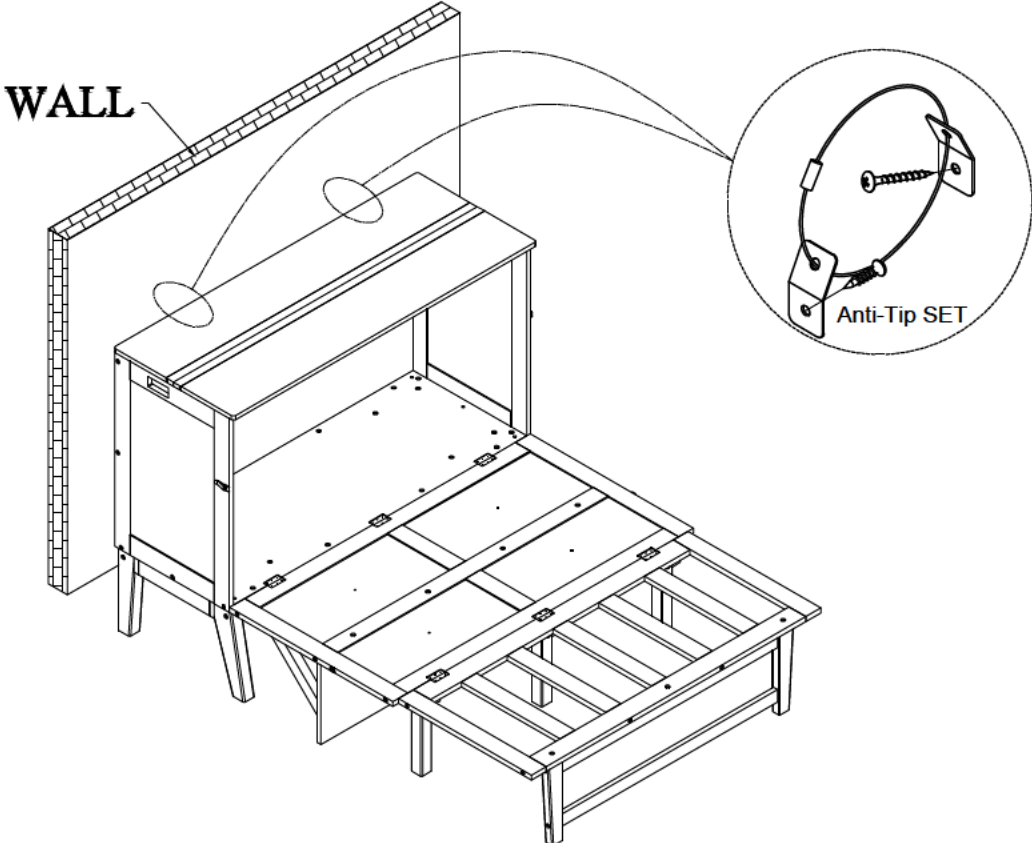


2sets

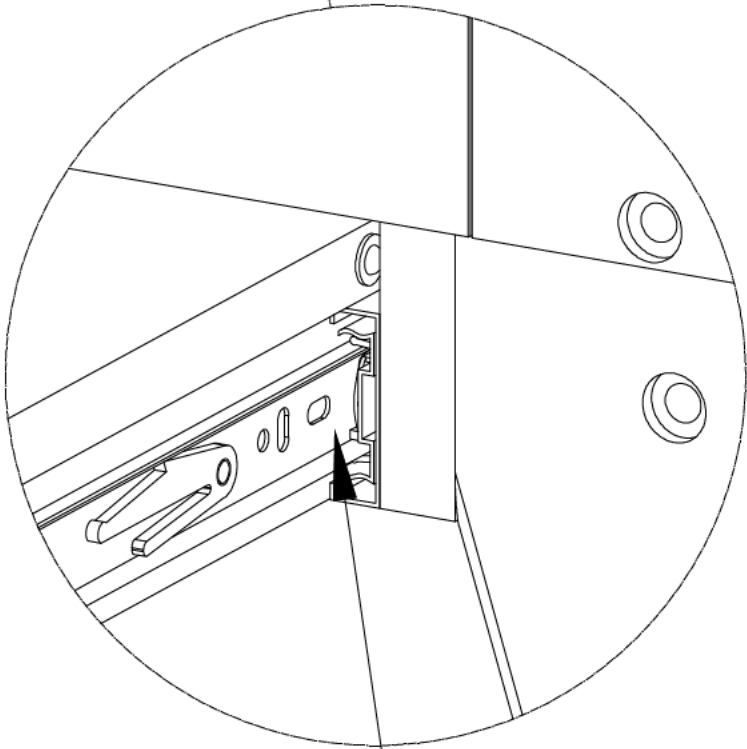
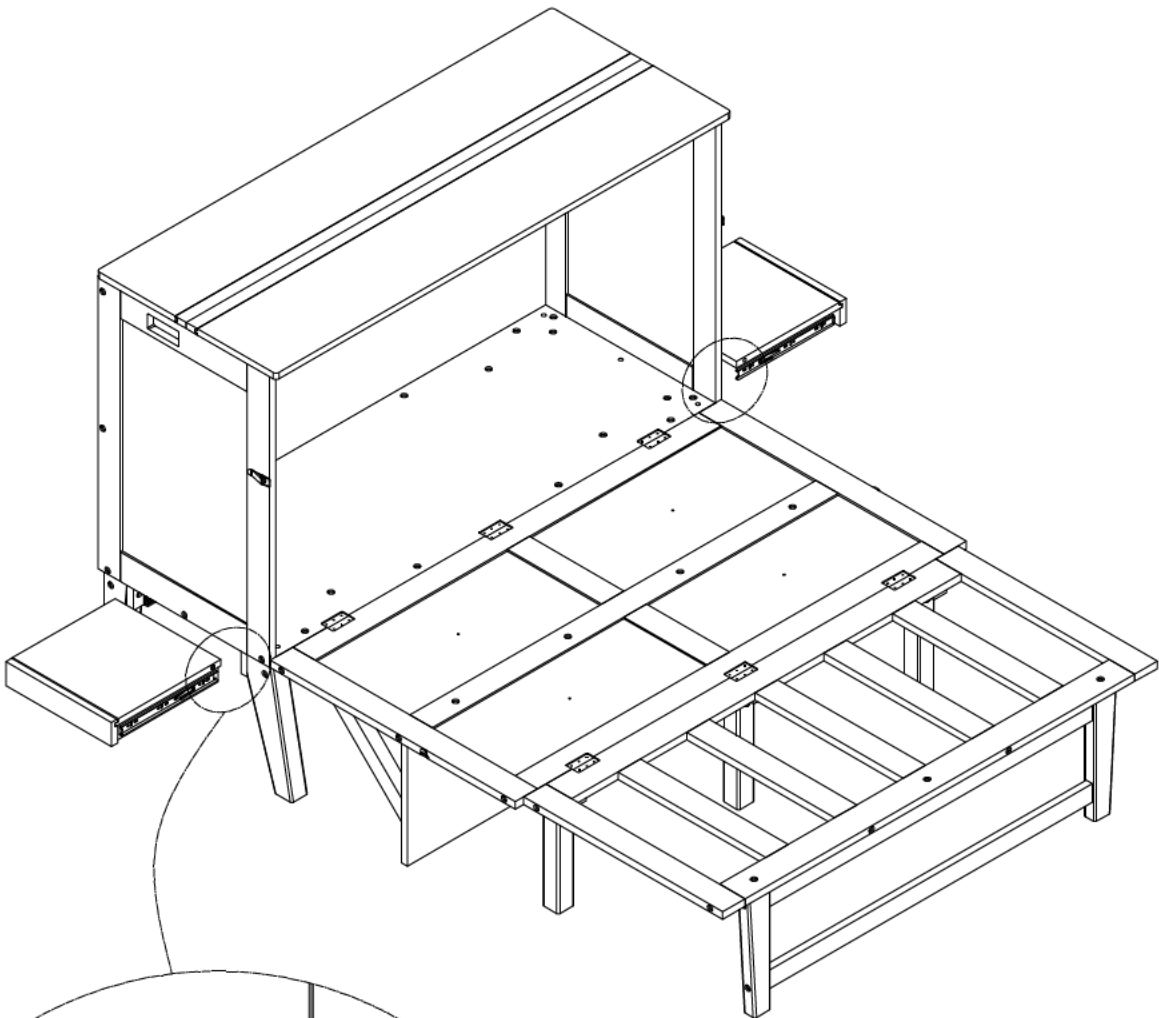
# STEP 22



# STEP 23

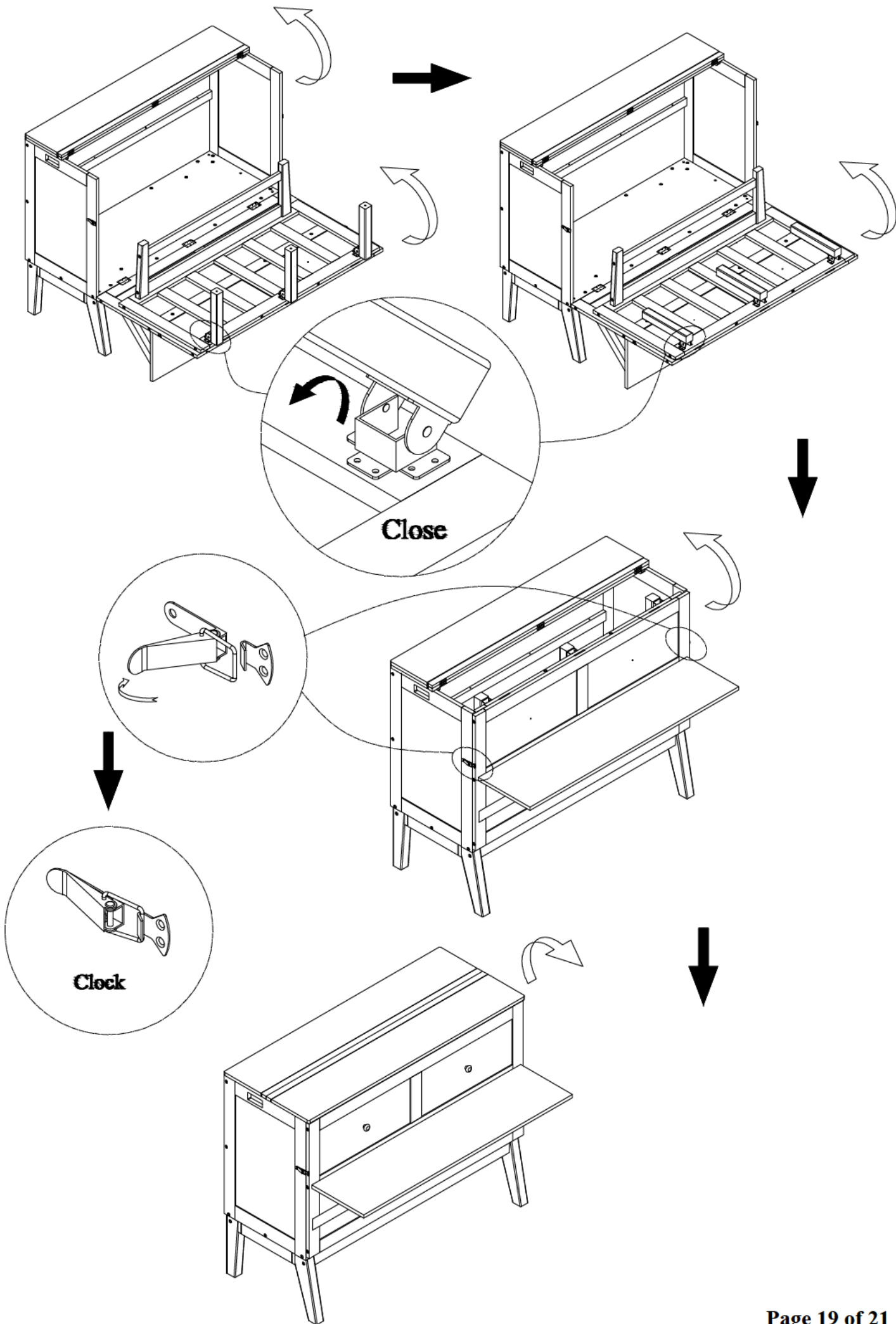


# STEP 24

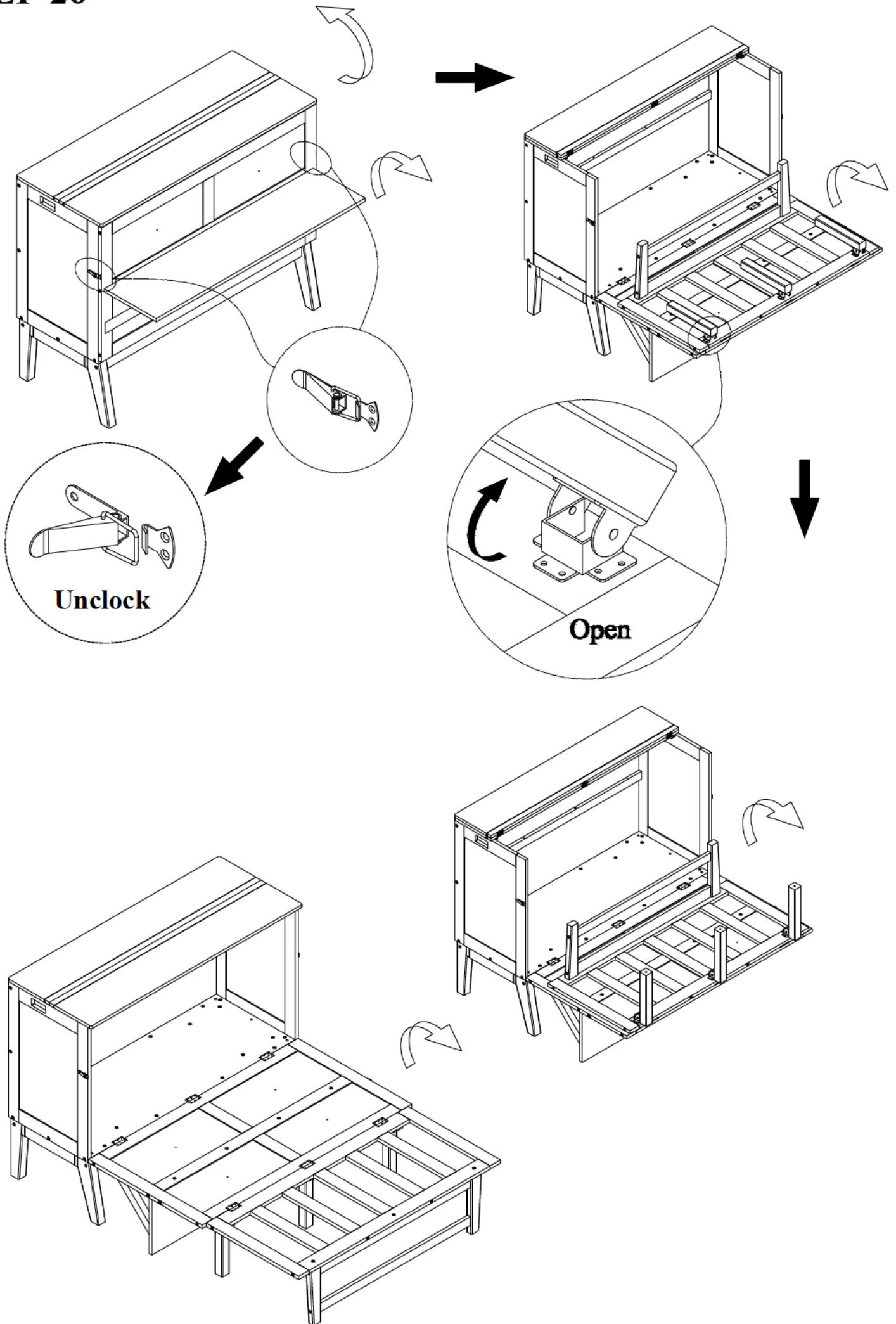


**Place the end of the slider in the groove before pushing it in**

# STEP 25



# STEP 26



# COMPLETED

