

BLANCO SUBLINE 500-U

Item No. BL467603

Pros



The designer line for undermount installation in PuraPlus™ ceramic

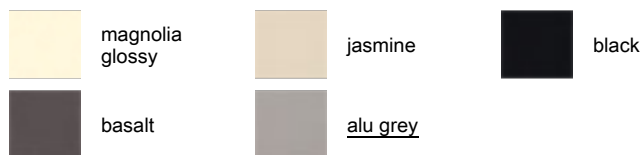
- Maximum bowl size provided by the very best in production and mounting technology
- Mounting involves no additional expense
- Ceramic for easy care
- Timelessly elegant, contoured bowl design
- For cabinets from 60 cm
- Optional wooden food board and stainless steel multifunctional colander for maximum function



Colours



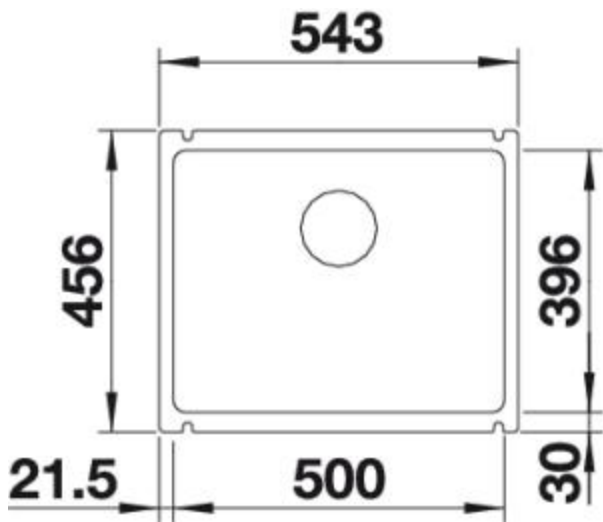
Available colours



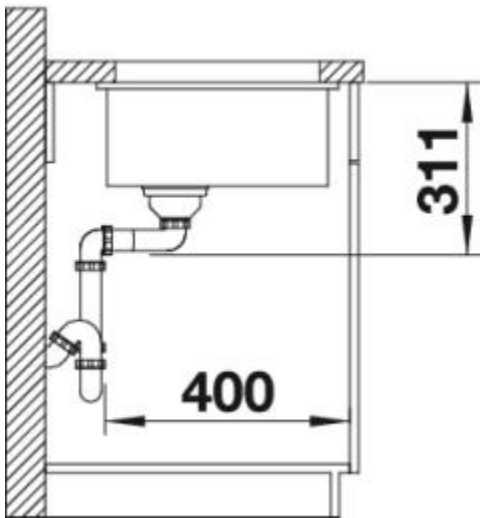
Ceramic PuraPlus®

Item No. BL467603

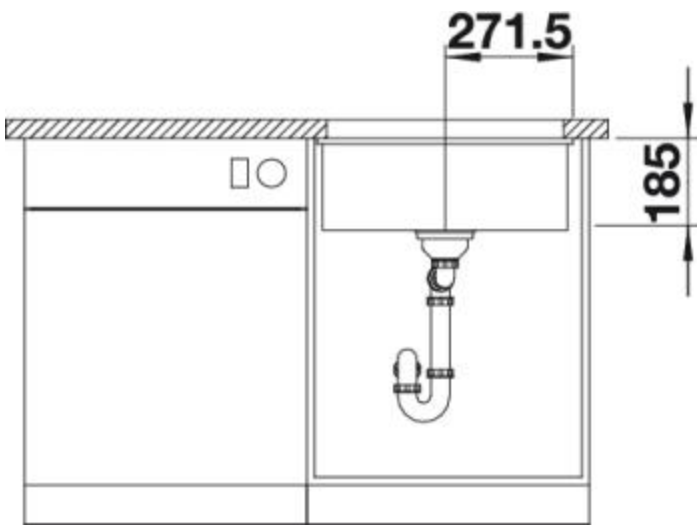
Details



Top View



Side View



Front View

Scope of supply

3 1/2" basket strainer, pop-up waste for the main bowl

Design tips

Cabinet Width: 60 cm
Bowl depth: 200 mm
Corner radius: 15mm
Cut out size: 490 x 386 x R15

Please note:
Minimum depth of worktop 25 mm

Taps



BLANCO LINUS-S
alu grey
BM3650AG

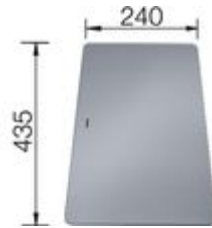


BLANCO OPERA
chrome
BM6000CH

Optional Accessories



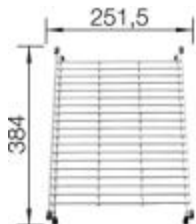
Chopping board
BL514544



Cutting board
BL227699



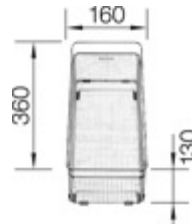
Colander
BL514542



Floating grid
BL233542



Outlet cover CapFlow®
BL517666



Colander
BL223297

Fax: 0800 0911608

> www.blanco.co.uk