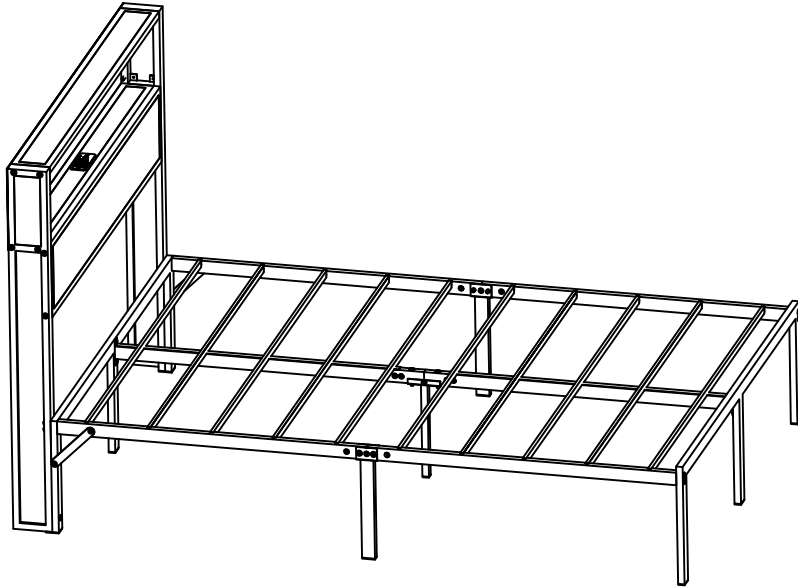
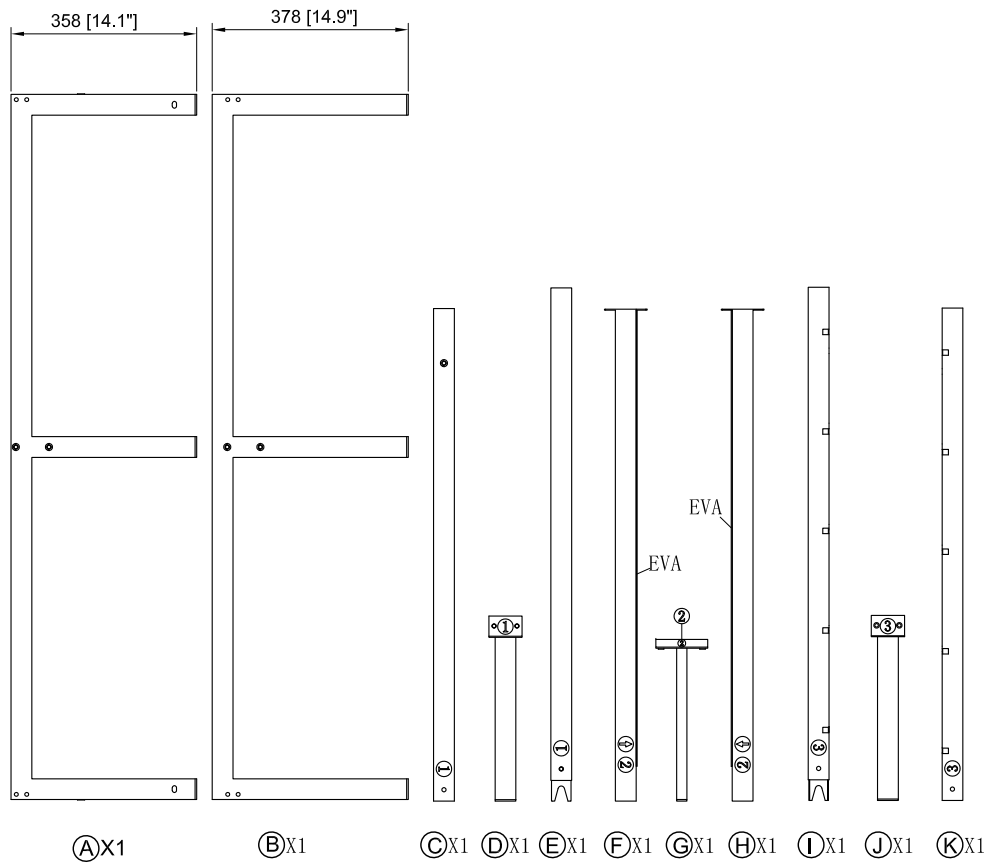


Bed Frame



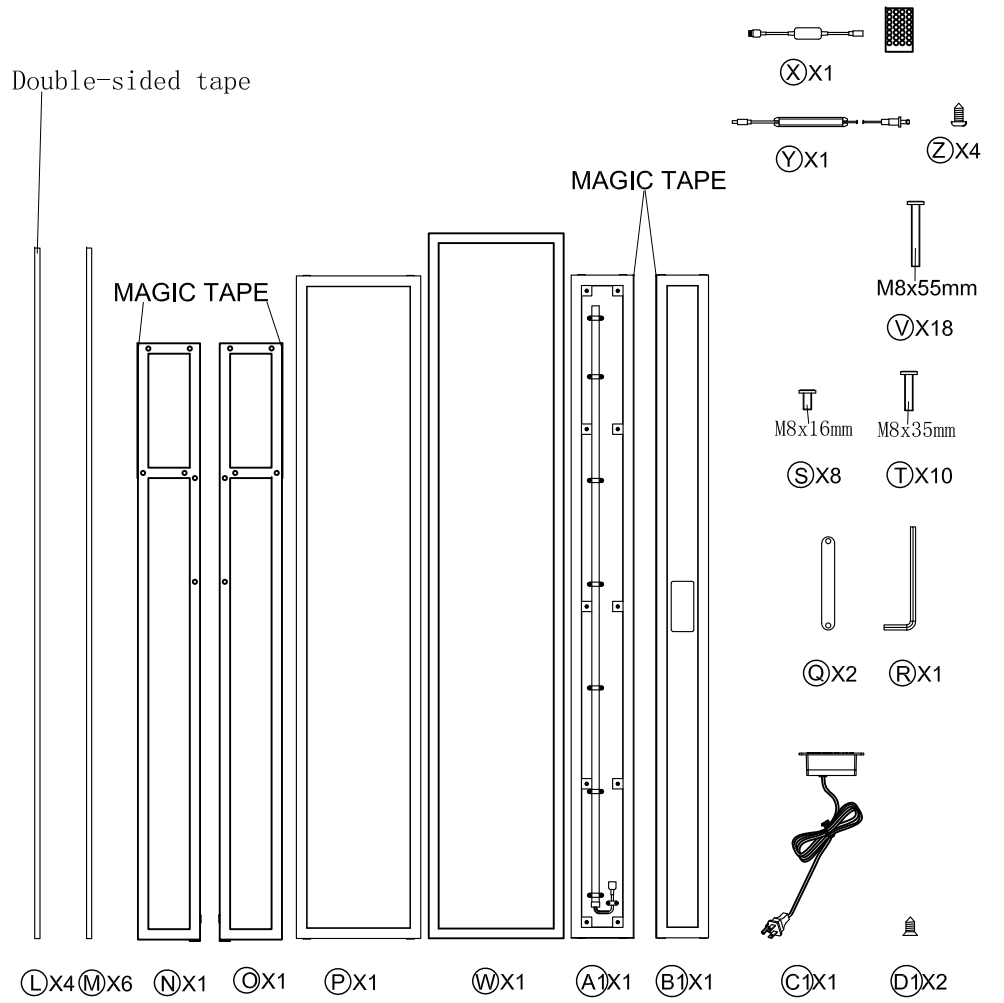
PRODUCT GUIDE AND INSTALLATION MANUAL

Parts List:



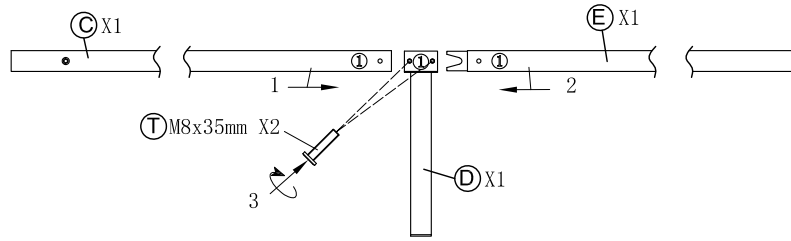
Parts List:

Double-sided tape

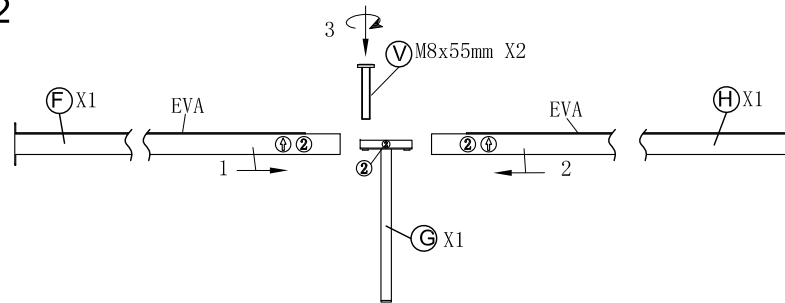


STEP 1

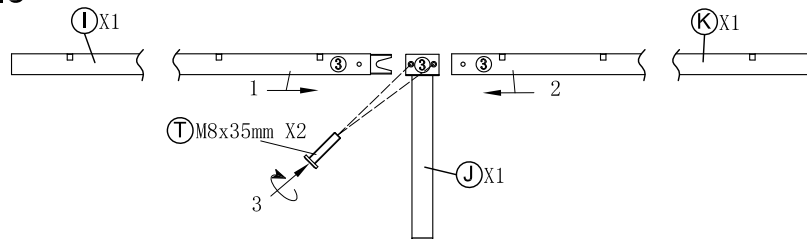
1.1



1.2

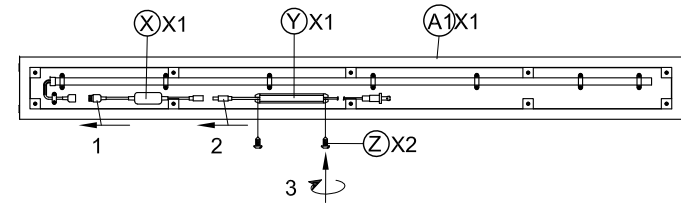


1.3

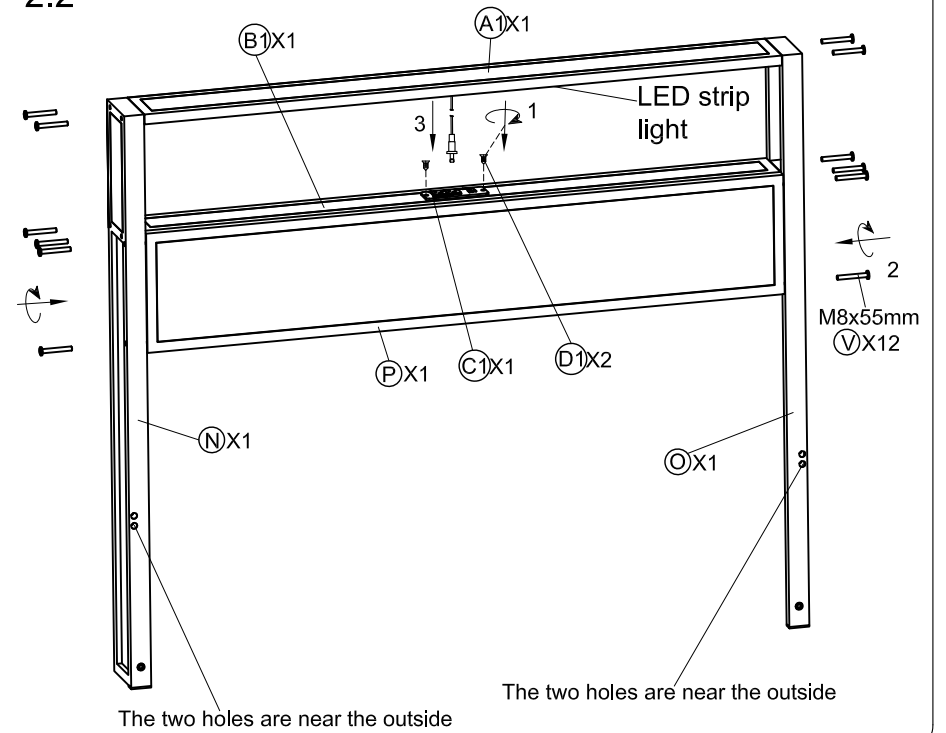


STEP 2

2.1

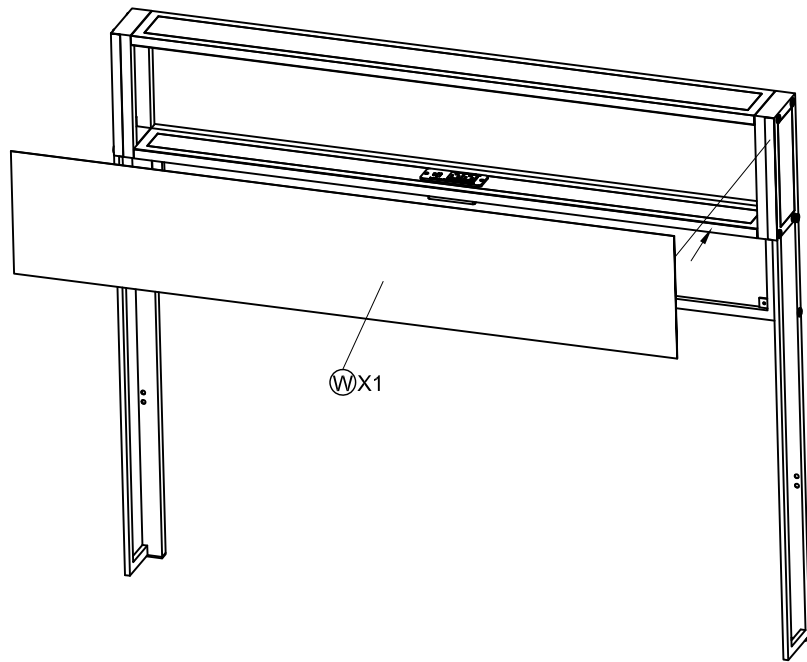


2.2



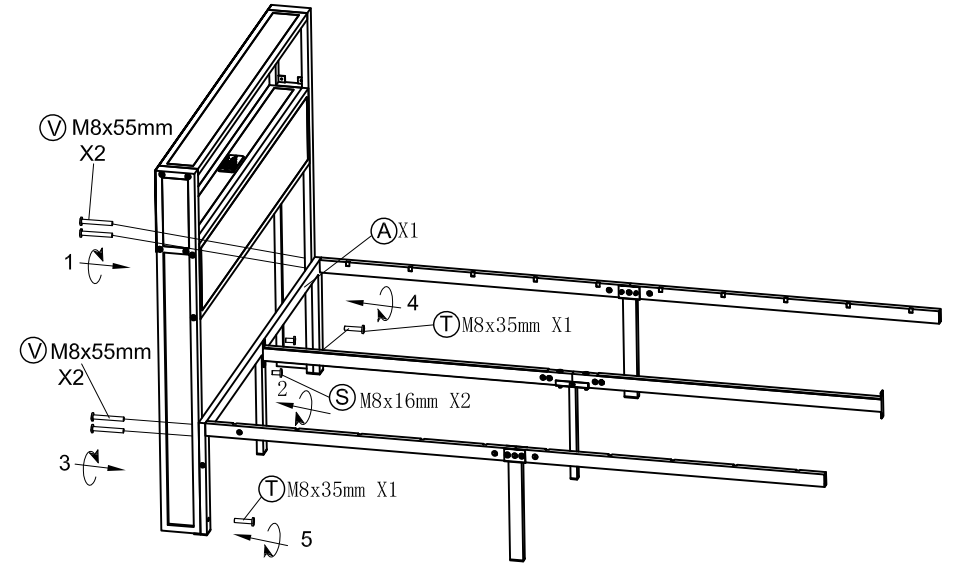
STEP 3

3.1

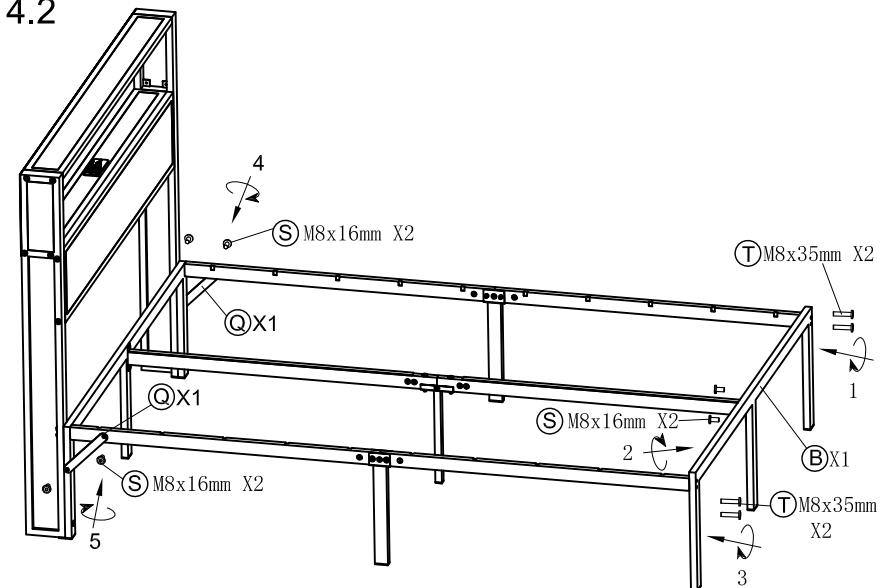


STEP 4

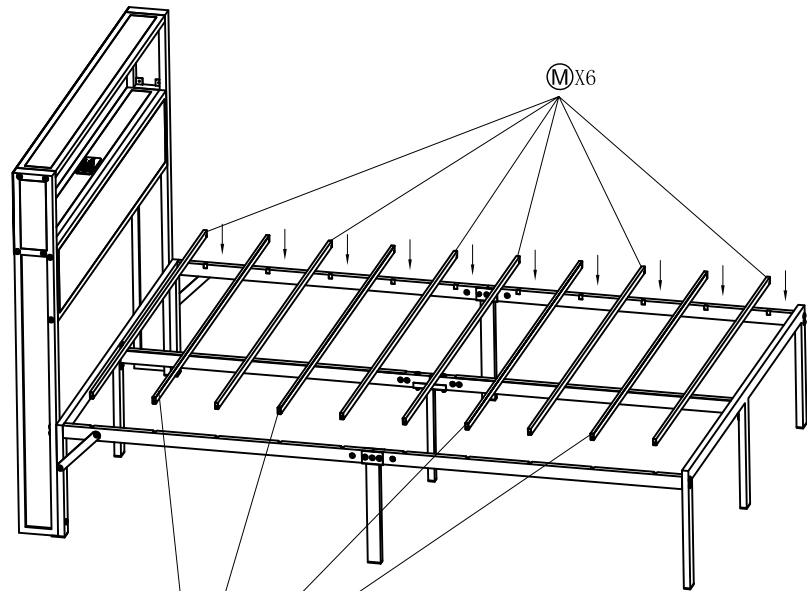
4.1



4.2

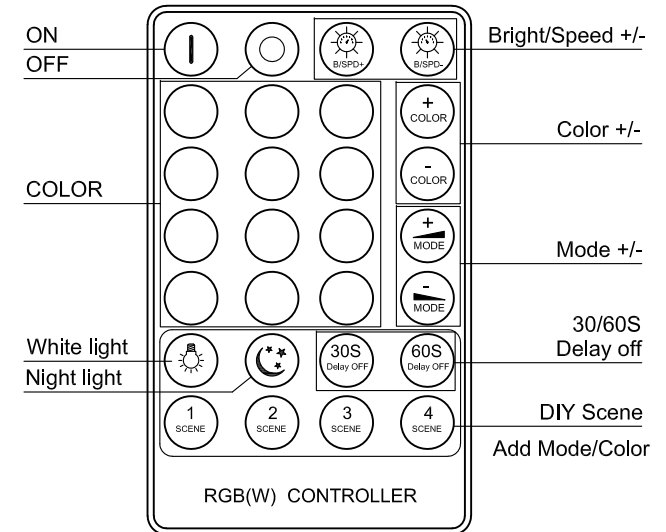


STEP 5



Tear off the double-sided adhesive tape before place the mattress.

RGB(W) CONTROLLER



NO.	Dynamic modes	NO.	Dynamic modes
1	W+Red	7	3 colors jump
2	W+Green	8	3 colors fade
3	W+Blue	9	7 colors jump
4	W+Yellow	10	7 colors fade
5	W+Purple	11	Full colors fade
6	W+Cyan		