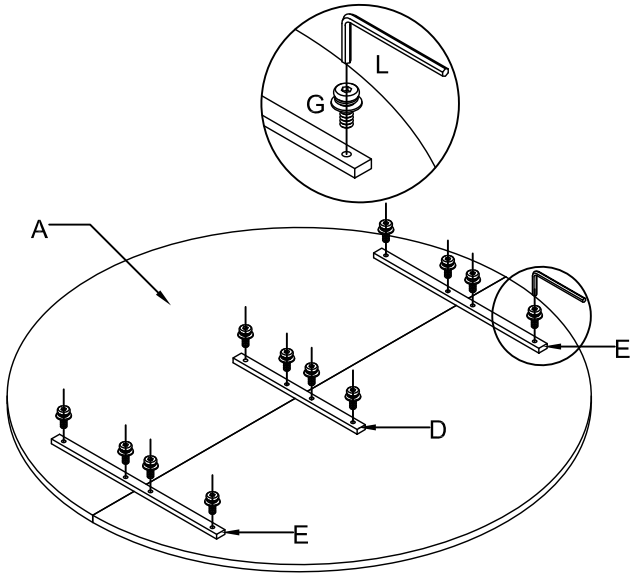


Ax2	Bx1	Cx1	Dx1	Ex2
Fx1	Gx12 6x25mm	Hx12 8x40mm	Ix12	Jx12
Kx8	Lx1			
SPARE(Ersatzteile)				
Gx1 6x25mm	Hx1 8x40mm	Ix1	Jx1	Kx1

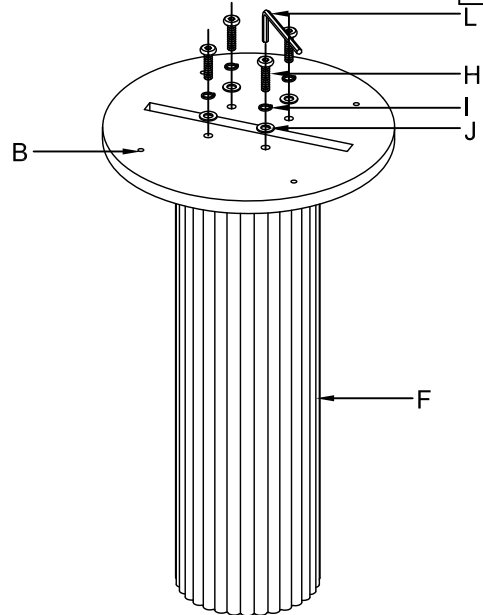
Step1

G	6x25mm	12
N		1



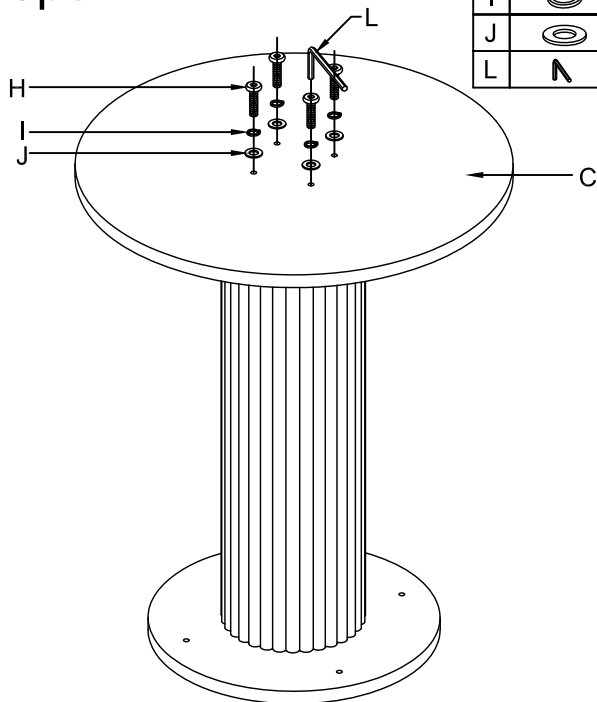
Step2

H	8x40mm	4
I		4
J		4
L		1



Step3

H	8x40mm	4
I		4
J		4
L		1



Step4

H	8x40mm	4
I		4
J		4
K		8
L		1

