

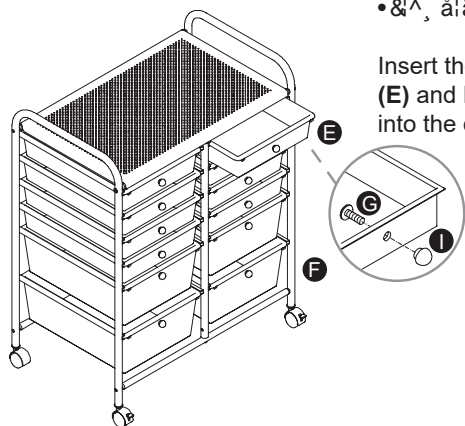
STEP 3.

Clip **SHELF (D)** onto the **7 FCGG65 FG (C)** at the top of the unit.

STEP 4.

Attach **DRAWER PULL (I)** to **SMALL DRAWER (E)** and **LARGE DRAWER (F)** with **SCREW (G)** ~ •đ * ¼

Insert the **SMALL DRAWER (E)** and **LARGE DRAWER (F)** into the drawer tracks.



Safety

Total unit loading capacity : 56.1 lbs

DO NOT place more than 3.3 lbs. in each small/big drawer. **DO NOT** attempt to climb, stand, or lean on cart.

Note: The screws can sometimes loosen over time and may need to be tightened, keep the Hex Key in one of the drawers for easy access and tighten the screws on the frames and crossbars.

Clean with mild soap and damp cloth. Remove any excess water with towel.

Customer Service Information

Telephone: (800) 323-5565

Fax: (310) 533-3899

Hours (M-F): 8:30 AM – 4:30 PM (PST)

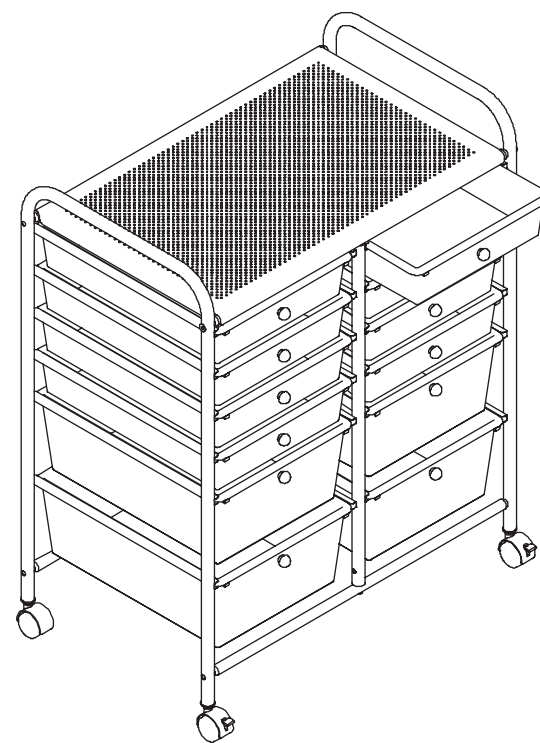
Email: Support@SevilleClassics.com

Homepage: www.SevilleClassics.com

seville classics®

www.sevilleclassics.com

12 Drawer rolling Storage cart

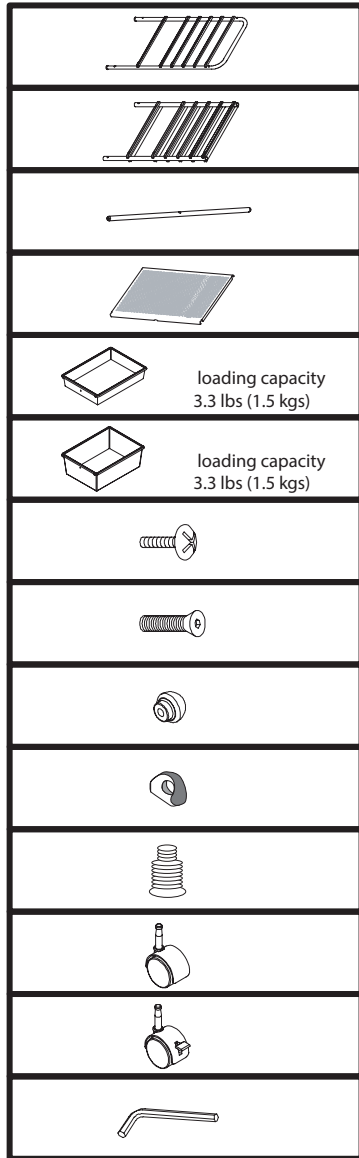


Model: WEB671

Thank you for choosing Seville Classics! We hope that you enjoy your new cart. Please read through this user guide for parts list, assembly instructions, and contact information.

Parts List

- A. Side Frame (2)
- B. Middle Frame (1)
- C. Crossbars (4)
- D. Shelf (1)
- E. Small drawer (8)
- F. Large drawer (4)
- G. Screw (12)
- H. Hex screw (12)
- I. Drawer pull (12)
- J. Washer (8)
- K. Caster sleeves (4)
- L. Casters (2)
- M. Locking casters (2)
- N. Hex key (1)



NOTE: Screwdriver is required but is not included.

Please make sure you have all the parts on this list.

If you're missing parts, contact us for replacements at (800) 323-5565 or send an email to Support@SevilleClassics.com

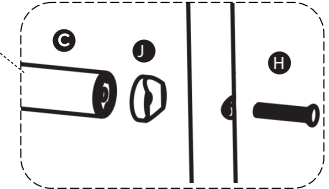
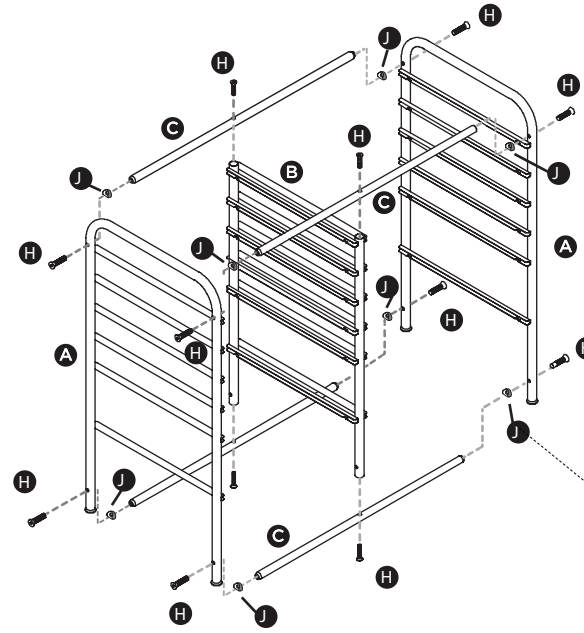
Assembly Instructions

STEP 1.

Using 4 of the **HEX SCREWS (H)**, attach the 4 **CROSSBARS (C)** into the **MIDDLE FRAME (B)**. Ensure that the drawer tracks are level with each other.

Attach the **SIDE FRAME (A)** to the 4 **CROSSBARS (C)** with 8 of **WASHERS (J)** and **HEX SCREWS (H)**. Flat side of washer MUST face end of crossbar. Curved side of washer MUST fit around frame, as depicted in below image.

Please using **HEX KEY (N)** fully tighten the screws at this stage



STEP 2.

Fit **CASTER SLEEVES (K)** to the bottom of **SIDE FRAME (A)**. Make sure they snap all the way in and are level with each other.

Place **CASTERS (L)** and **LOCKING CASTERS (M)** into the **CASTER SLEEVES (K)**.

The casters should be pushed in firmly until they click into place. Make sure the 2 locking casters are facing the same direction next to each other.

