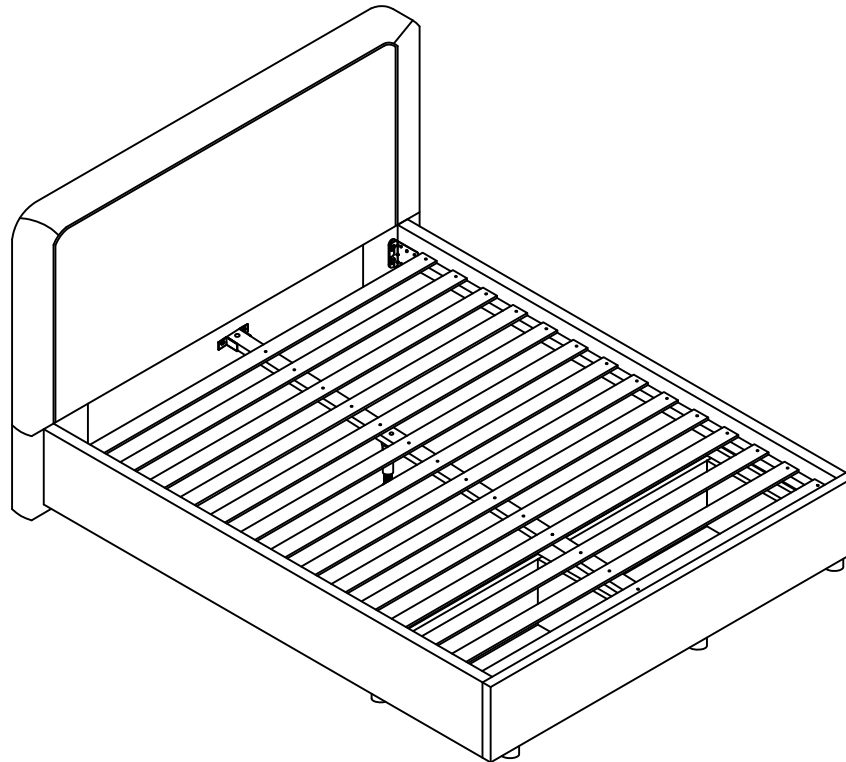


# MOE'S

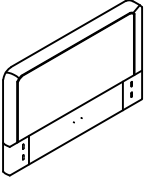
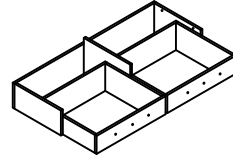

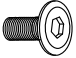
## Assembly Instructions Simon Queen Storage Bed Brown

RN-1158-20-0

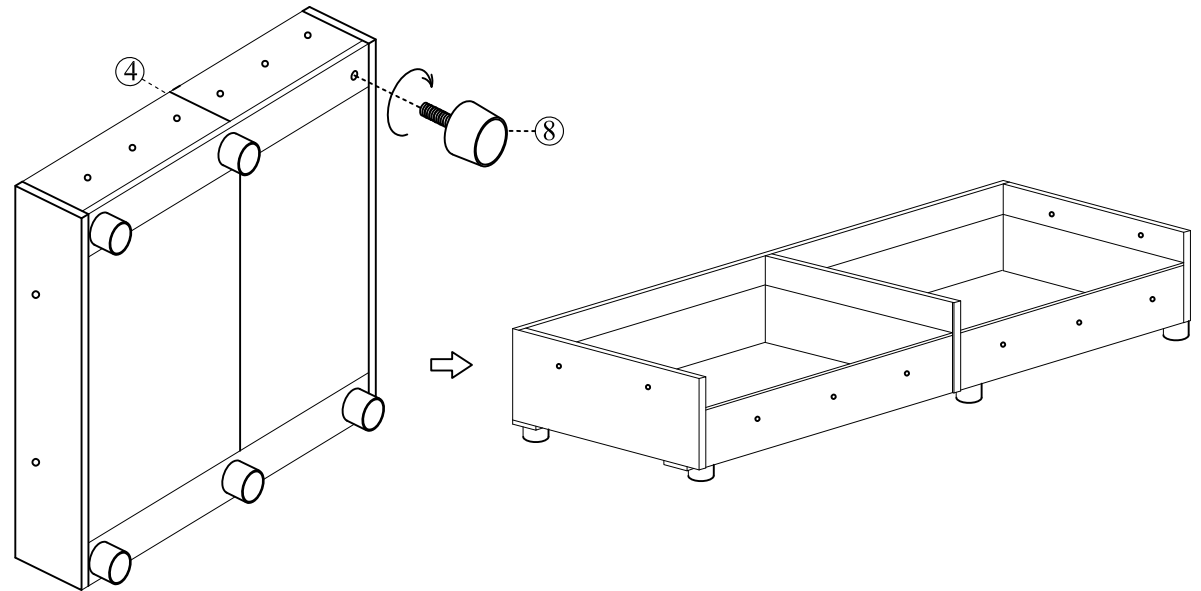


THANK YOU FOR YOUR PURCHASE!

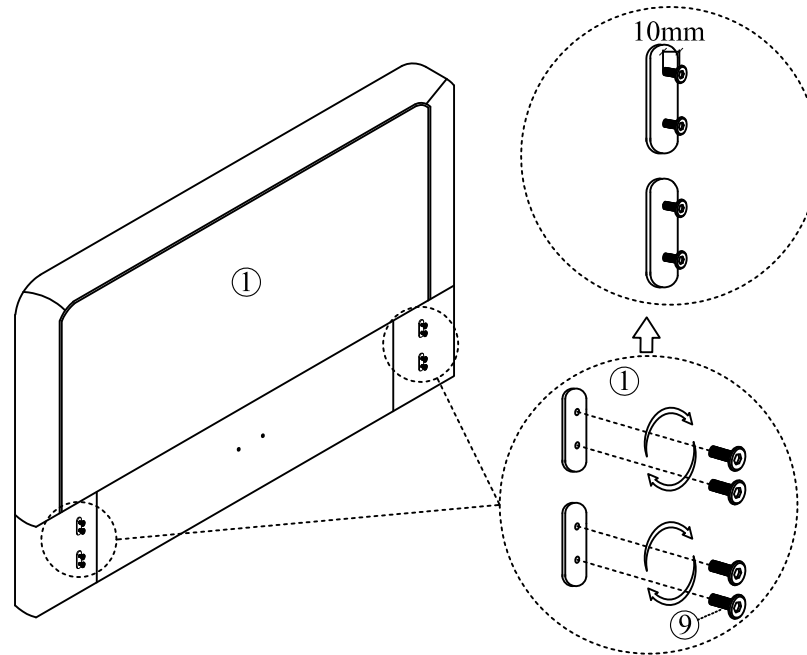
## Parts and Hardware

 ① Headboard=1pc	 ④ Footboard Drawer =1pc
 ⑧ Feet=6pcs	 ⑨ Gold Bolts(M8*18mm) =8pcs

## Step 1



## Step 2



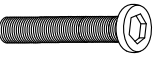
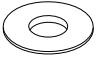



## Notes

Thank you for purchasing this quality product!  
Be sure to check all packing material carefully  
for small part that may have come loose inside  
the carton during shipping.

**CAUTION:** The item is heavy, assembly  
should be performed by two people.

## Parts and Hardware

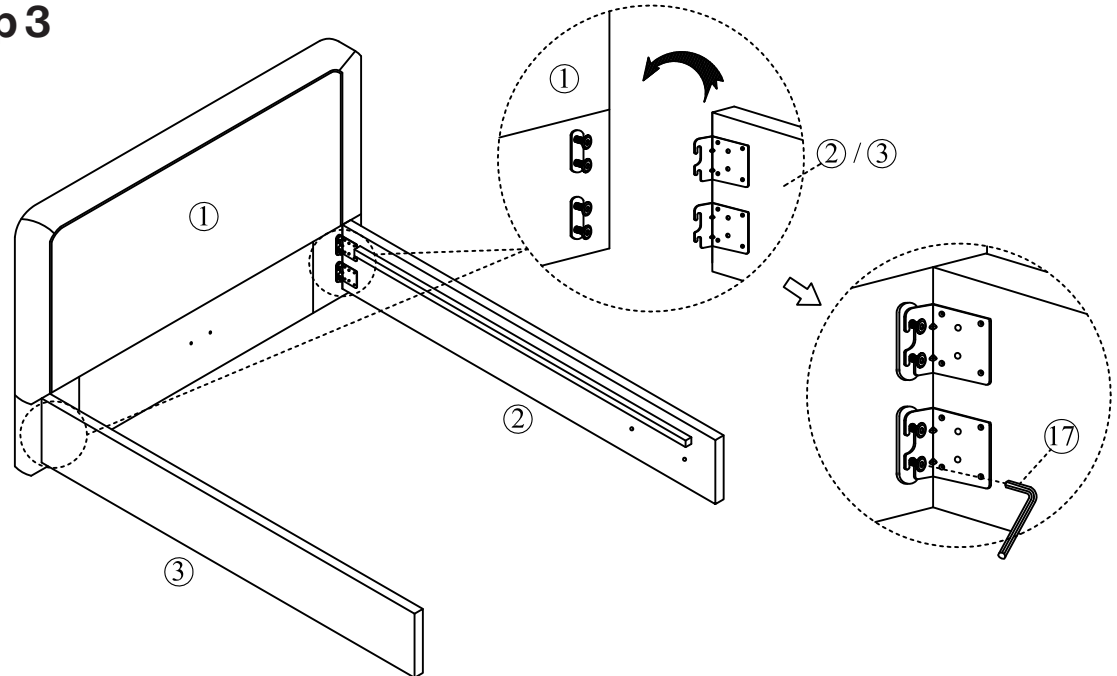
 ② Right Side Rail =1pc	 ③ Left Side Rail =1pc
 ⑪ Bolts(M8*35mm) =4pcs	 ⑫ Washers (M8)=4pcs
 (M5) ⑬ Allen Key=1pc	

## Notes

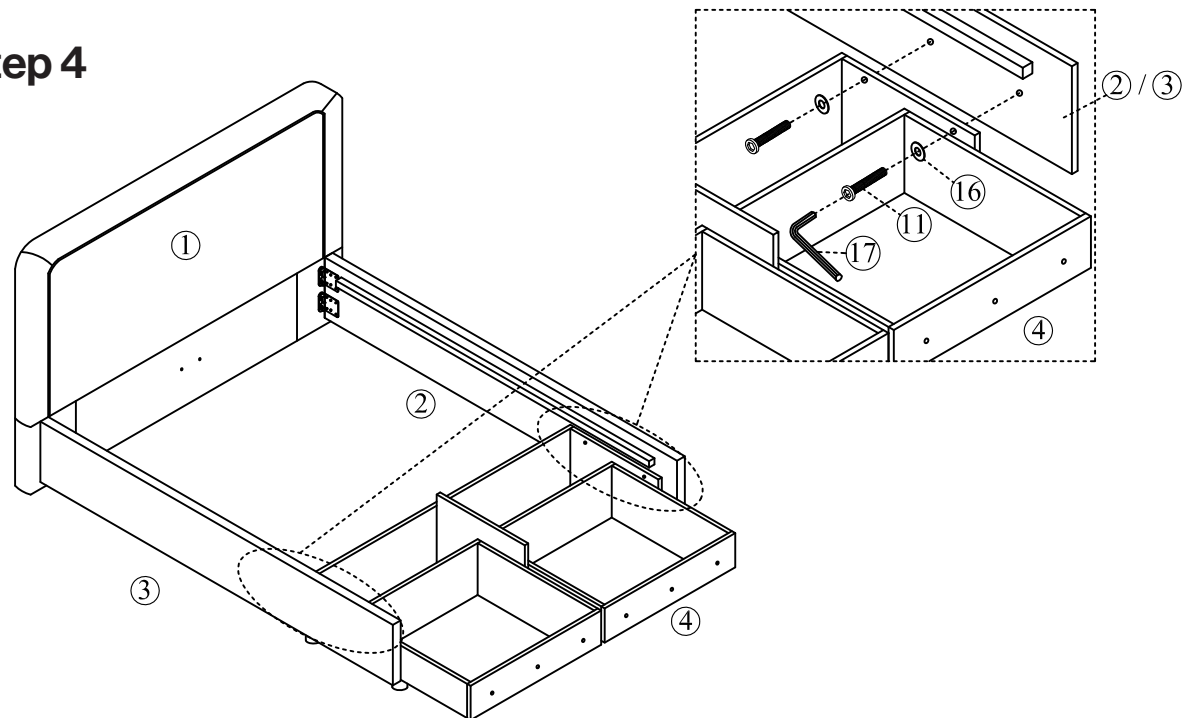
Thank you for purchasing this quality product!  
Be sure to check all packing material carefully  
for small part that may have come loose inside  
the carton during shipping.

**CAUTION:** The item is heavy, assembly  
should be performed by two people.


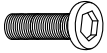
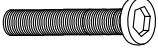
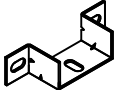

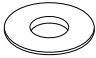
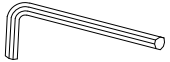
## Step 3



## Step 4



## Parts and Hardware

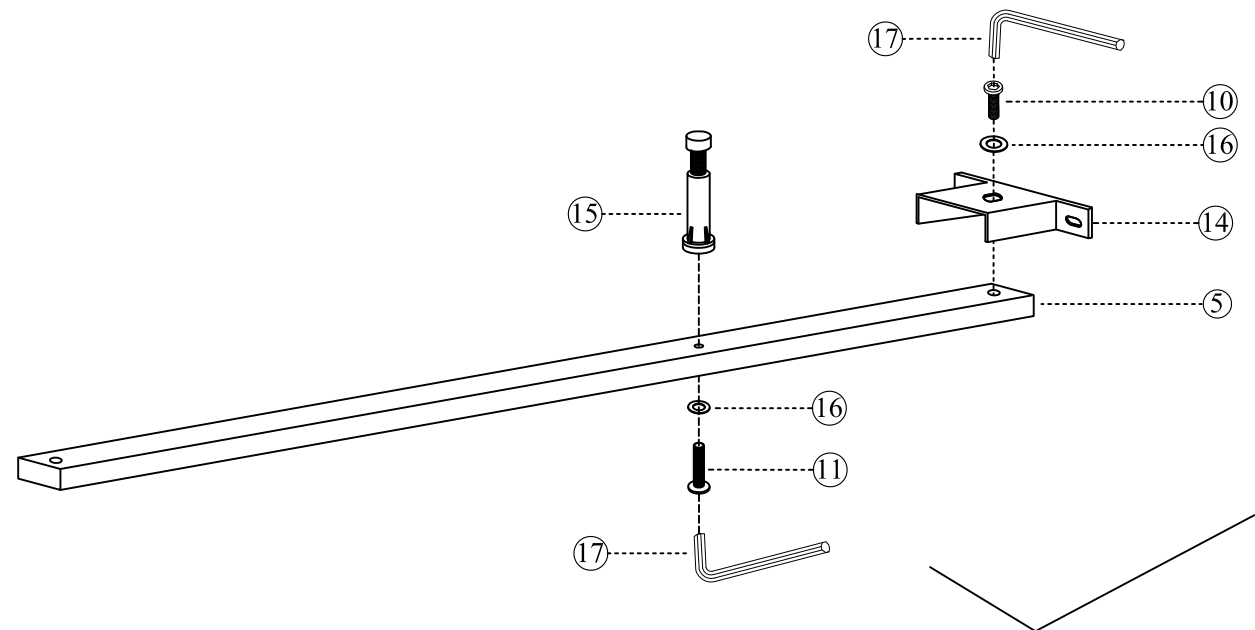
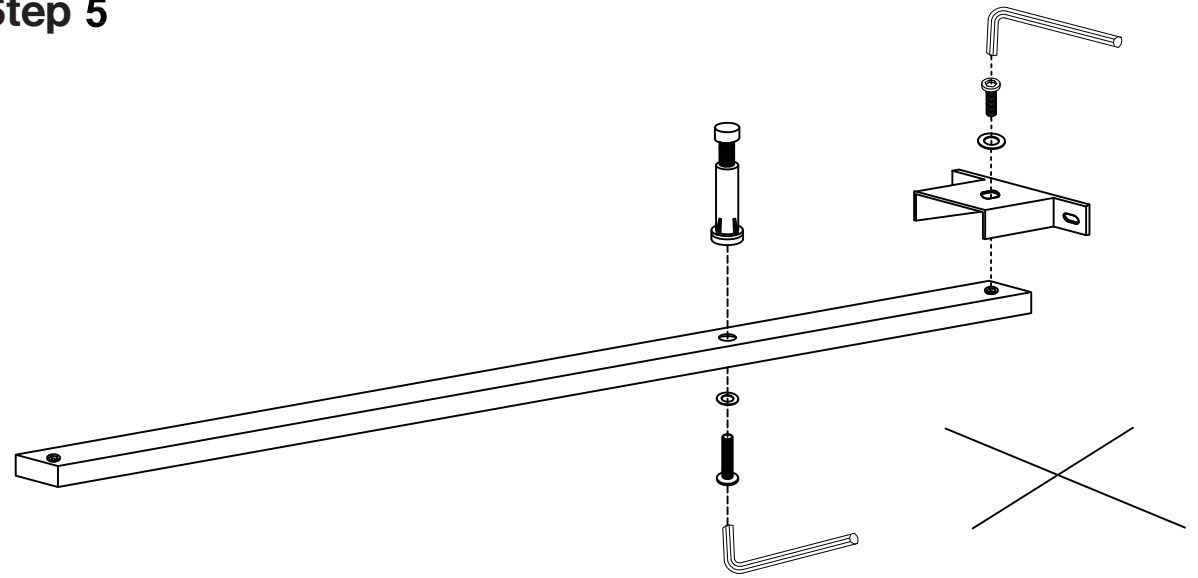
 ⑤ Center Rail=1pc	 ⑩ Bolts(M8*25mm)=1pc
 ⑪ Bolts(M8*35mm)=1pc	 ⑭ Bracket=1pc
 ⑮ Plastic Support Leg=1pc	 ⑯ Washers (M8)=2pcs
 (M5) ⑰ Allen Key=1pc	

## Notes

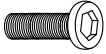

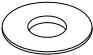
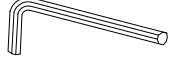
Thank you for purchasing this quality product! Be sure to check all packing material carefully for small part that may have come loose inside the carton during shipping.

**CAUTION:** The item is heavy, assembly should be performed by two people.

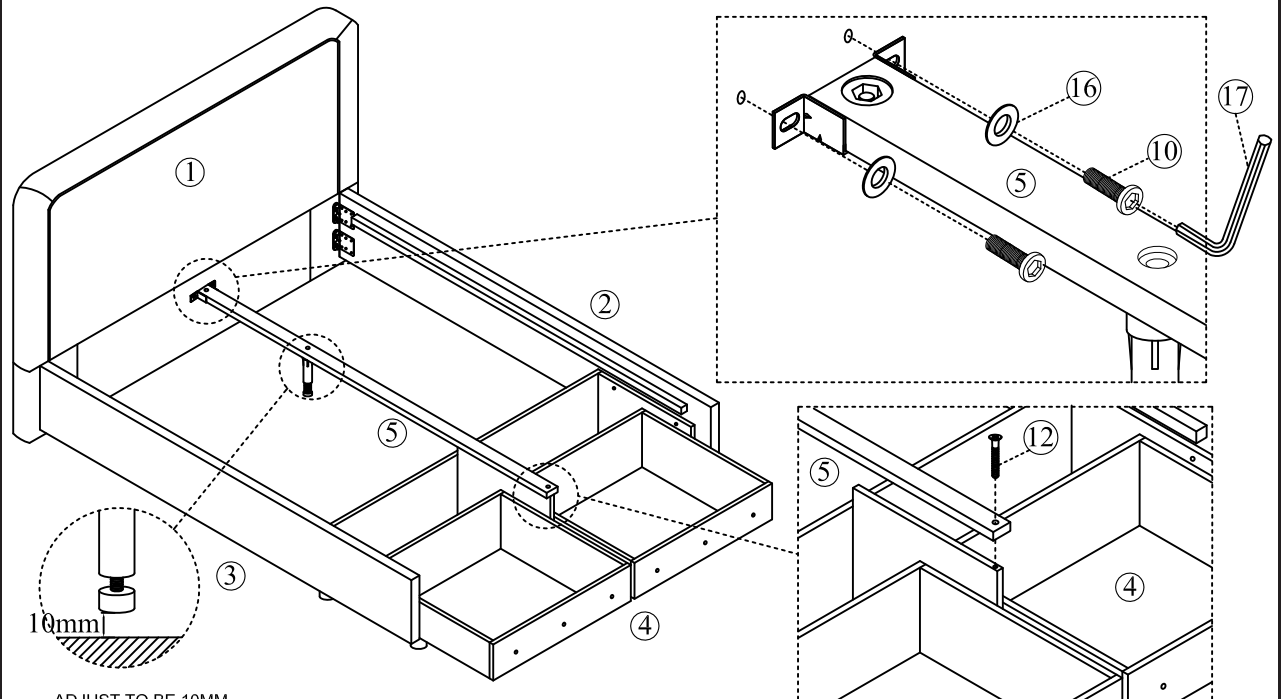
## Step 5



## Parts and Hardware

 ⑩ Bolts(M8*25mm) =2pcs	 ⑫ Bolts(M7*38mm) =1pc
 ⑬ Washers (M8)=2pcs	 (M5) ⑭ Allen Key=1pc

## Step 6



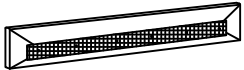

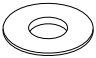

## Notes

Thank you for purchasing this quality product!  
Be sure to check all packing material carefully  
for small part that may have come loose inside  
the carton during shipping.

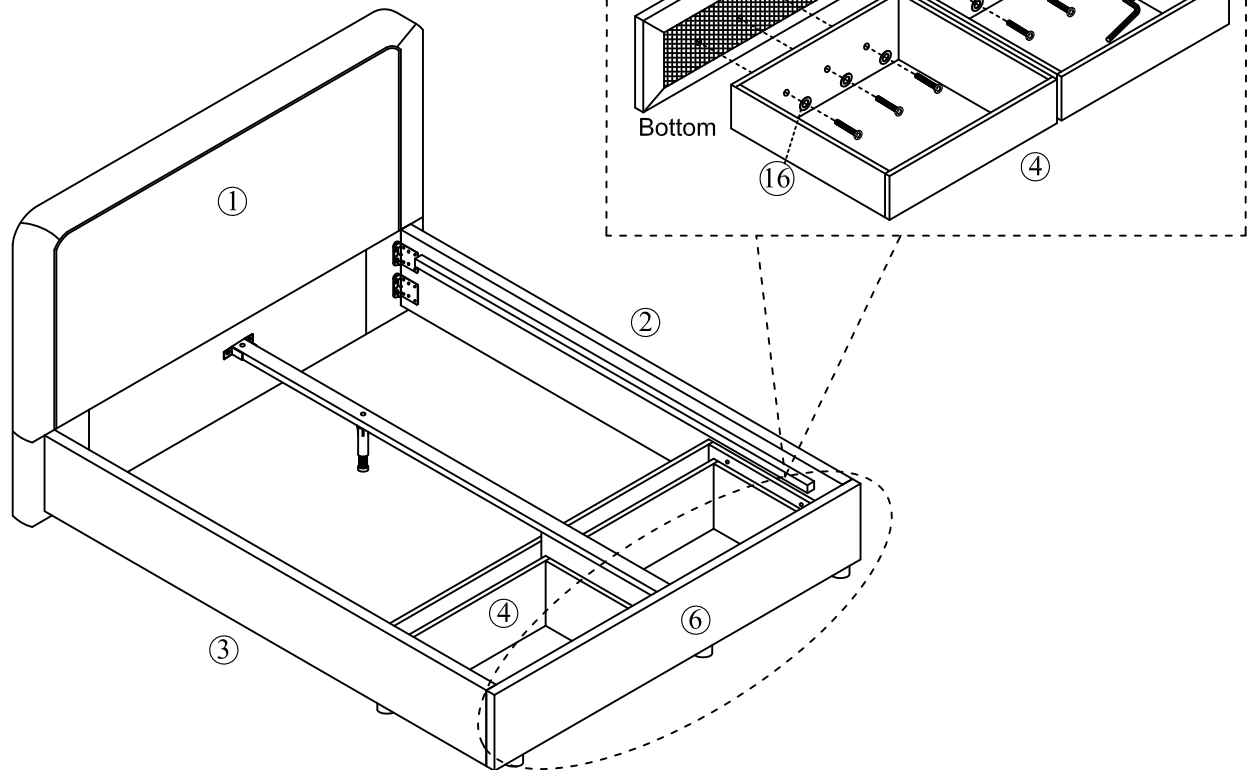
**CAUTION:** The item is heavy, assembly  
should be performed by two people.

ADJUST TO BE 10MM  
GAP FROM FLOOR TO  
THE BOTTOM OF  
SUPPORT LEGS.

## Parts and Hardware

 ⑥ Drawer Board =1pc	 ⑪ Bolts(M8*35mm) =6pcs
 ⑫ Washers (M8)=6pcs	 (M5) ⑬ Allen Key=1pc

## Step 7



## Notes

Thank you for purchasing this quality product!  
Be sure to check all packing material carefully  
for small part that may have come loose inside  
the carton during shipping.

**CAUTION:** The item is heavy, assembly  
should be performed by two people.

## Parts and Hardware

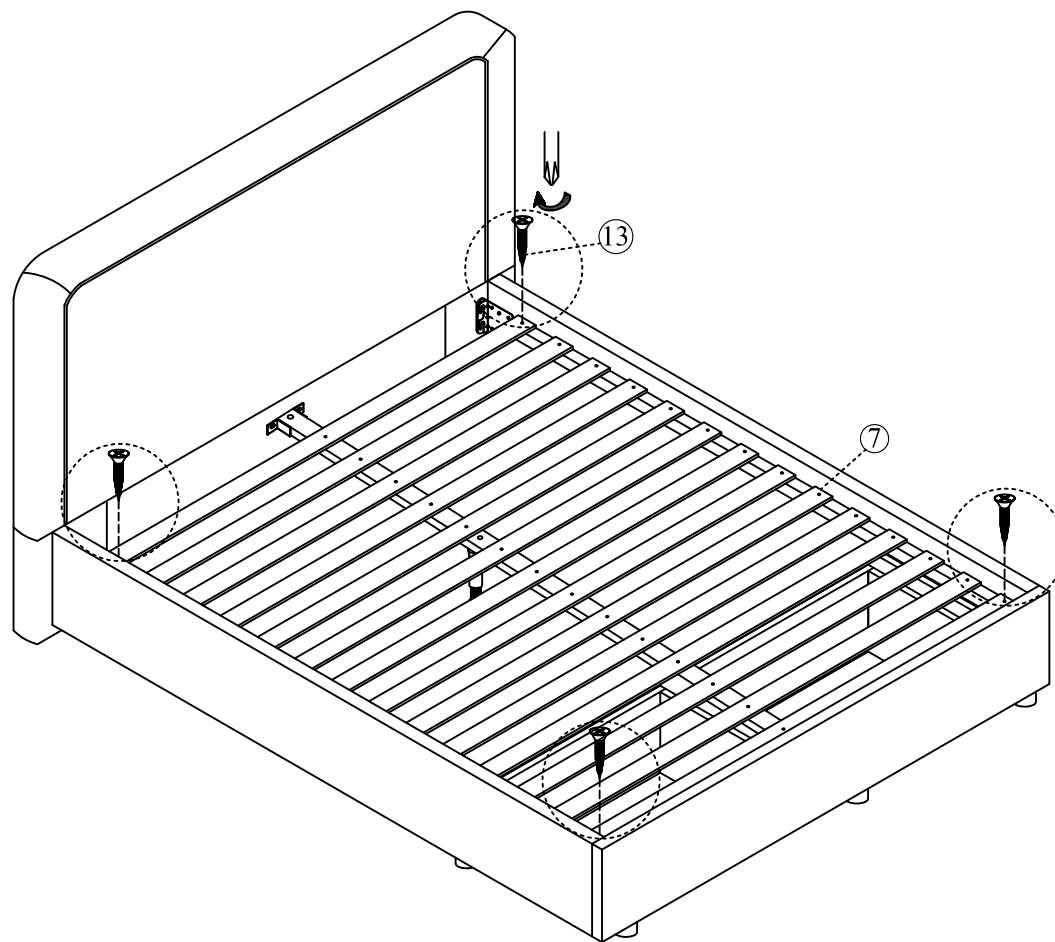


⑦ Slats=1pc



⑬ Screws(M4\*32mm)  
=4pcs

## Step 8



## Notes

Thank you for purchasing this quality product!  
Be sure to check all packing material carefully  
for small part that may have come loose inside  
the carton during shipping.

**CAUTION:** The item is heavy, assembly  
should be performed by two people.

## Parts and Hardware



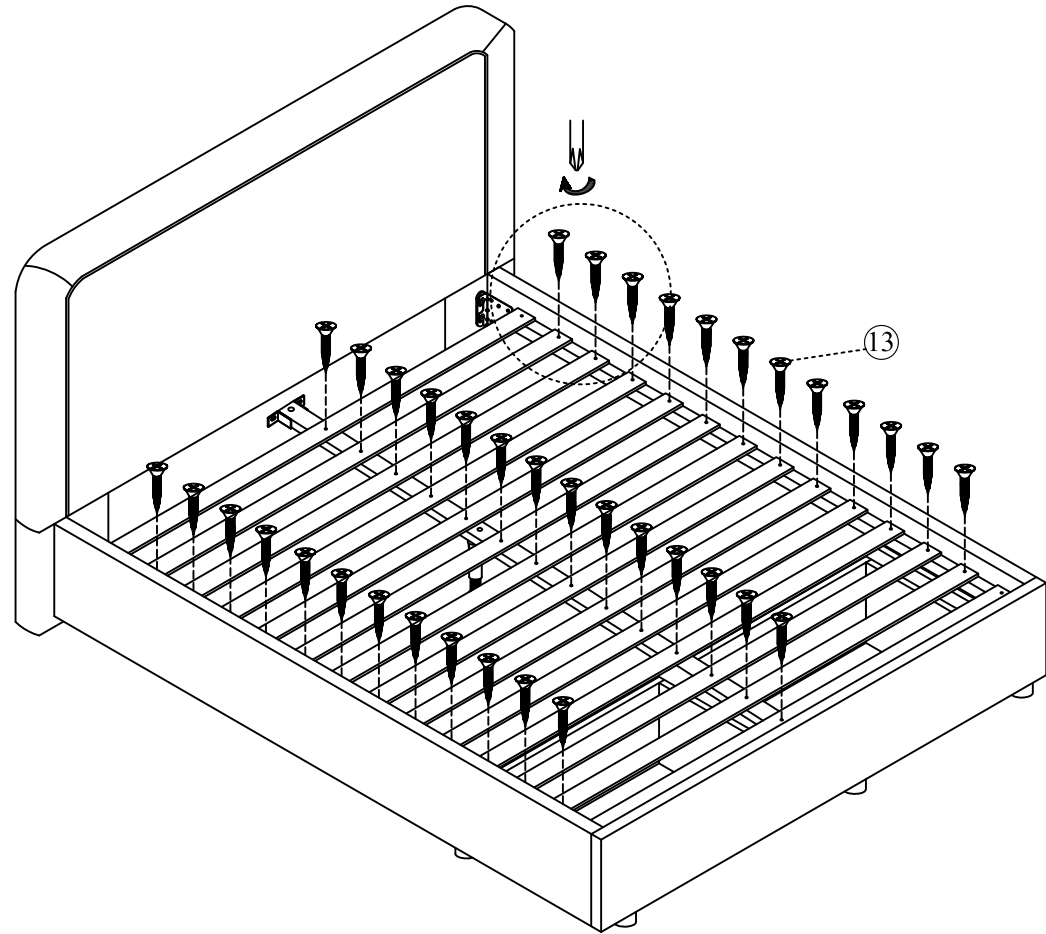
⑬ Screws(M4\*32mm)  
=38pcs

## Notes

Thank you for purchasing this quality product!  
Be sure to check all packing material carefully  
for small part that may have come loose inside  
the carton during shipping.

**CAUTION:** The item is heavy, assembly  
should be performed by two people.

## Step 9



**Warning:** When you need to move the bed please lift it, do not drag it.