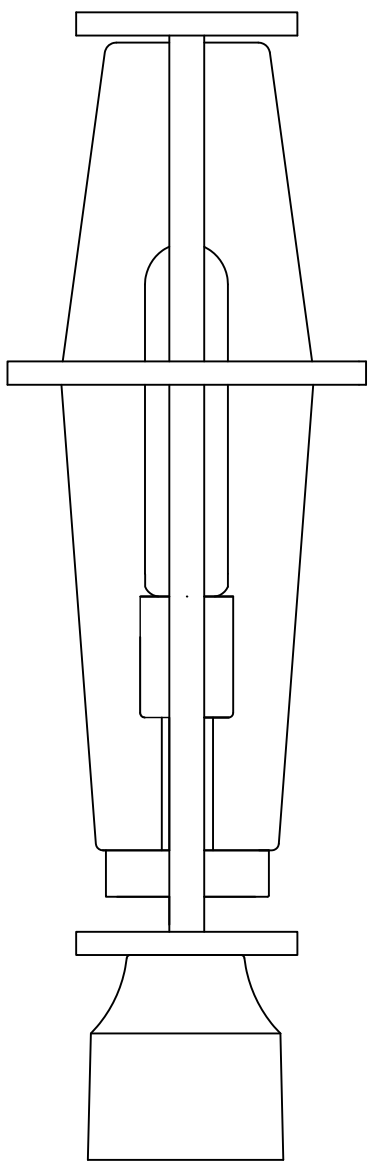
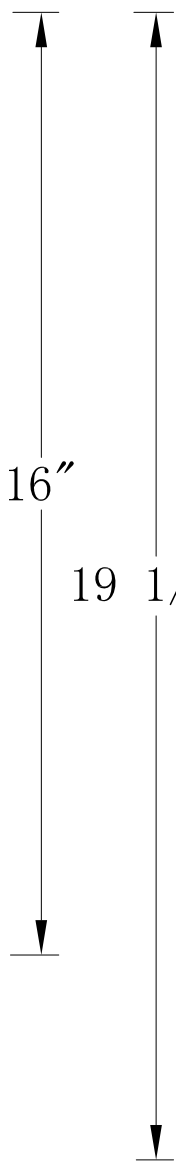
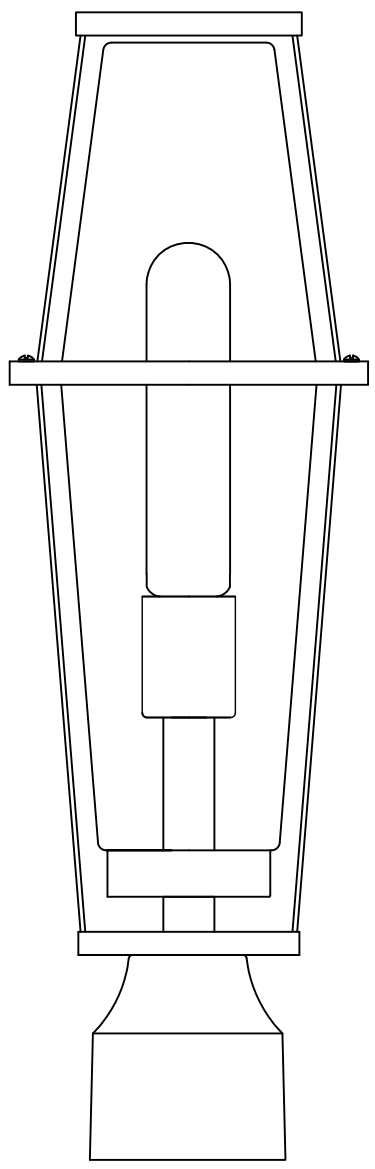


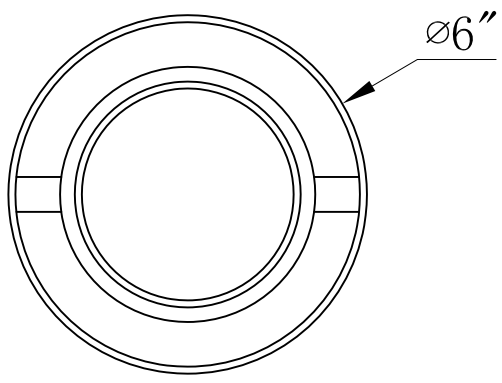
$\phi 6''$



$\phi 3 \frac{1}{4}''$

FRONT VIEW

SIDE VIEW



TOP VIEW