

Assembly Instructions

Caution : You should read this carefully before proceeding





Please look in the velcro pouch for hardware packs and legs

LIFT TOP WRITING DESK

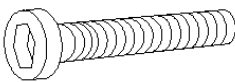






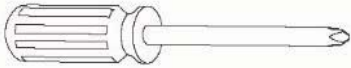

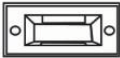




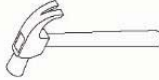
Parts List

Label	Picture	Description	QTY
A	A line drawing of the desk top, showing its rectangular shape with rounded corners and a slightly raised edge. There are two small circular holes on the front edge.	Desk Top	1
B	A line drawing of a single leg, showing its tapered shape and a small circular hole near the top.	Left Front Leg	1

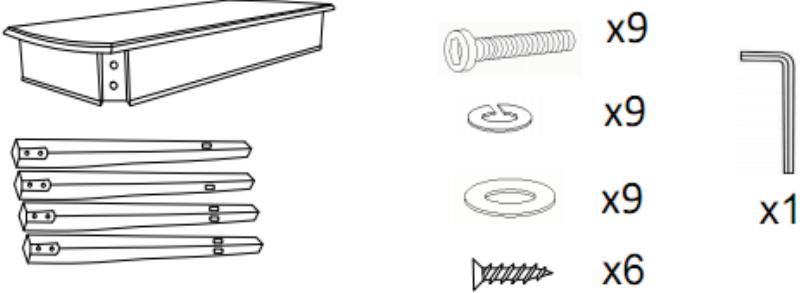
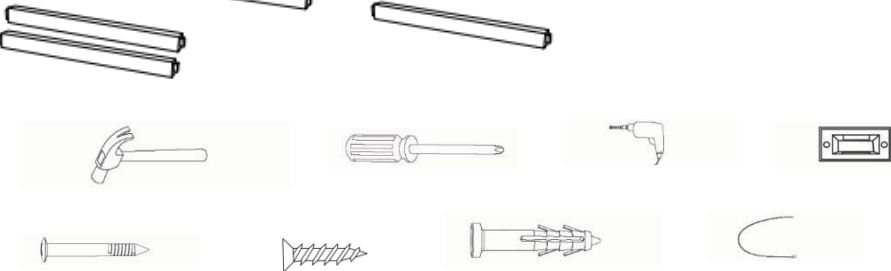
C		Right Front Leg	1
D		Hind Leg	2
E		Connecting Rod	2
F		Connecting Rod	1

Hardware

Label	Picture	Description	QTY
①		Long Bolt (M8*50MM)	9
②		Spring Washer (\varnothing 1/4")	9
③		Flat Washer (\varnothing 1/4"x16mm)	9
④		Allen Key	1
⑤		Screw (M8x38mm)	7

⑥		Screwdriver (not provided)	1
⑦		Power Drill (not provided)	1
⑧		Bracket	4
⑨		Wall Plug Screw (M6X25mm)	4
⑩		screw (M8x15mm)	4
⑪		Wall Plug (10X30mm)	4
⑫		Restraint Strap	2
⑬		Hammer (not provided)	1

Assembly Preparation

Before Beginning Assembly:				
				



- Read instructions, cover to cover-



- Have 2 adults on hand for assembly-



- Do not assemble on flooring or carpet-



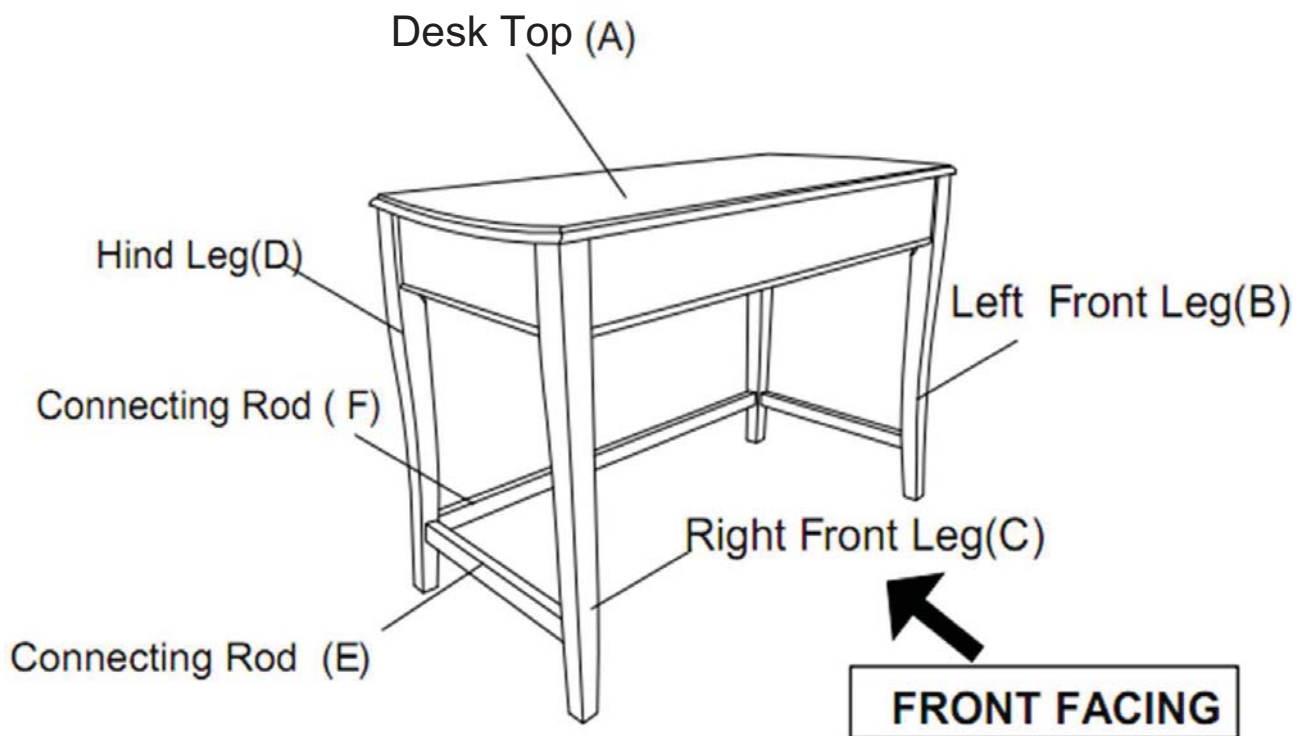
- Assemble on a clean non-marring surface (packing foam)-



- Save all packaging until finished-

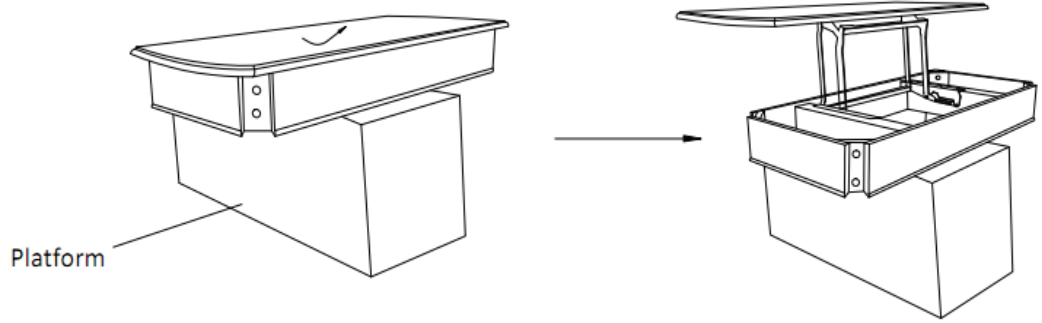
Assembly Steps

Overview



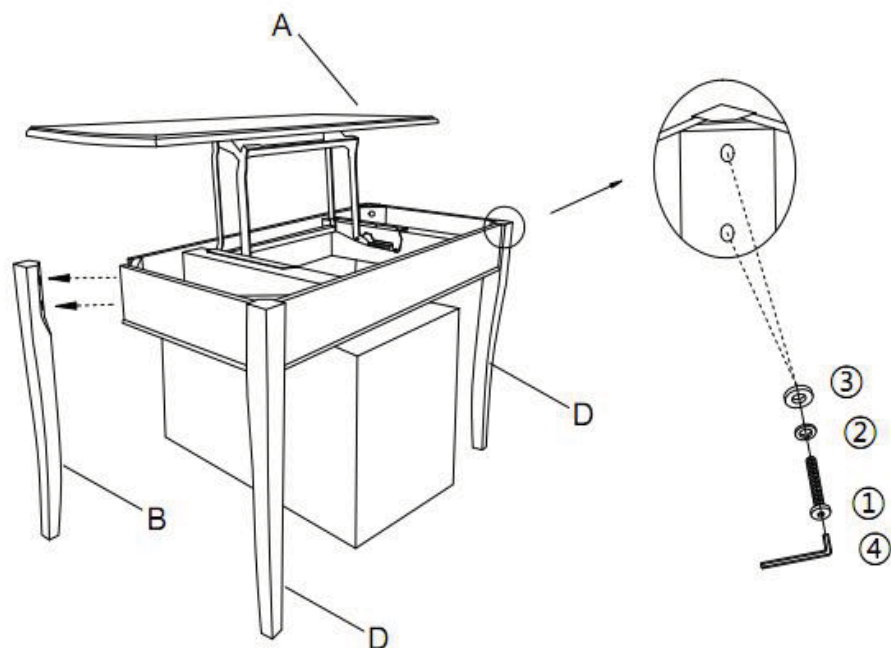
This Desk has multiple parts and may require up to 30 minutes to assemble. To give you an overview of the Desk parts, the above picture is provided to help you put the various parts into perspective. Please read through the instructions below to familiarise yourself with the parts and steps before assembly.

Step 1



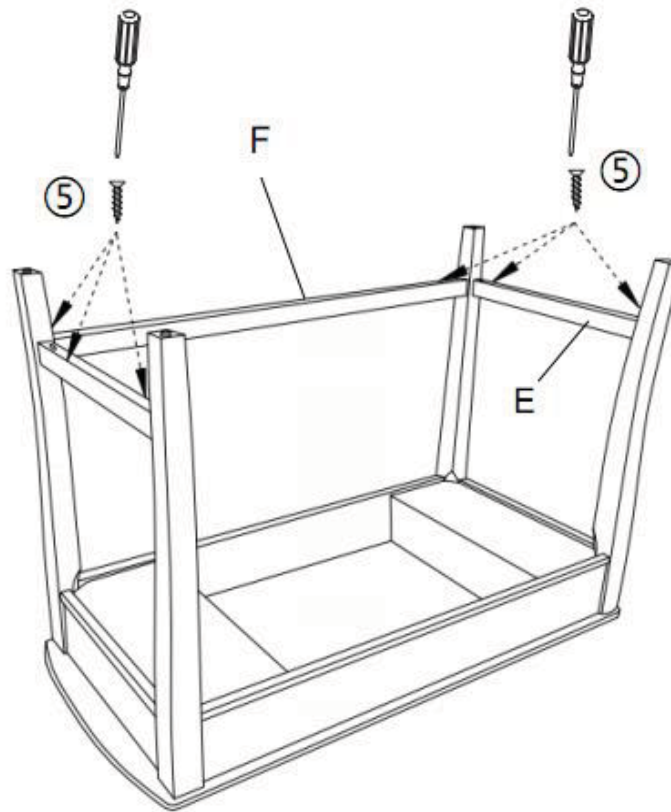
Please place the product on a platform.
Lift up on the top of the Writing Desk to open, then take out the inner carton.

Step 2



Attach the Desk Legs(C) to the Desk Top(A) using Bolts(①), Spring Washers(②), Washers(③) and the Allen Key(④).
Do not fully tighten the Bolts at this time.

Step 3



Place the Desk Top(A) facedown onto a clean, non-marring surface.
3.1 Connect the Rods (E)and(F) to the Table Front Legs (B)and(C)and the Hind Legs(D) using screws (5) and a Screwdriver(6)
3.2) Insert the Connecting Rods(E)and(F) to the Hind Legs(D) using screws (5) and a Screwdriver(6)
Tighten all Screws and Bolts at all joints in a sequential manner.

Step 4

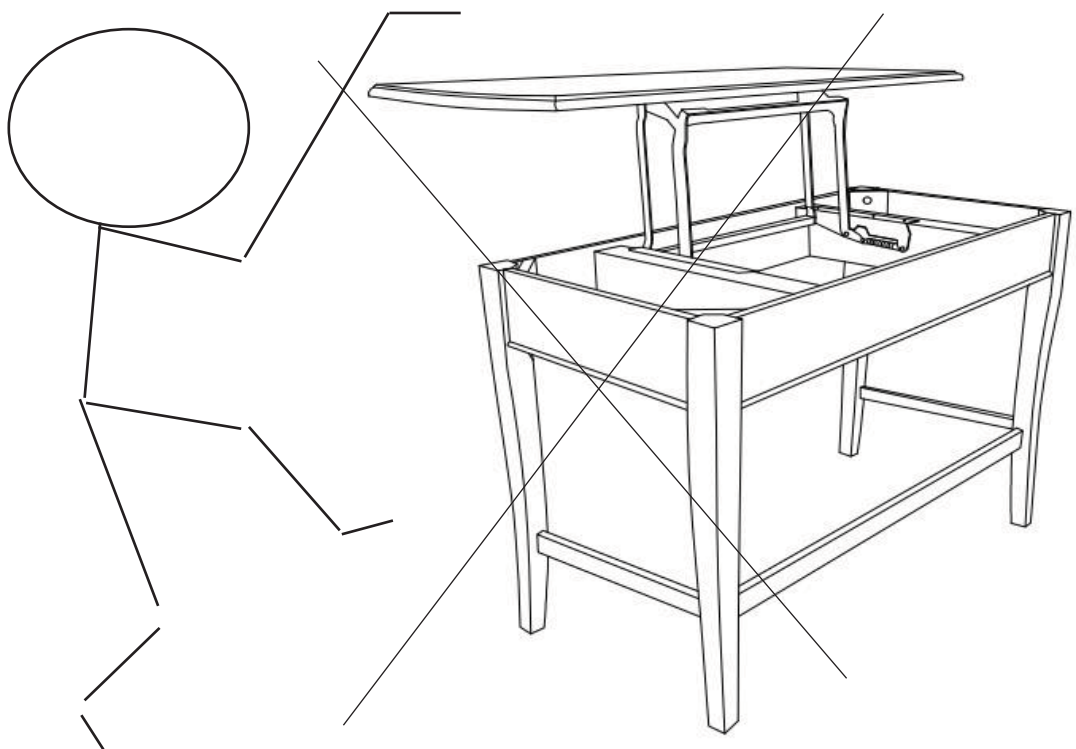


Console Restraint Device Installation Instructions



Serious or fatal crushing injuries can occur from tipping furniture. To help prevent tip-over: ALWAYS secure this furniture to the wall using a Cabinet Restraint Device.

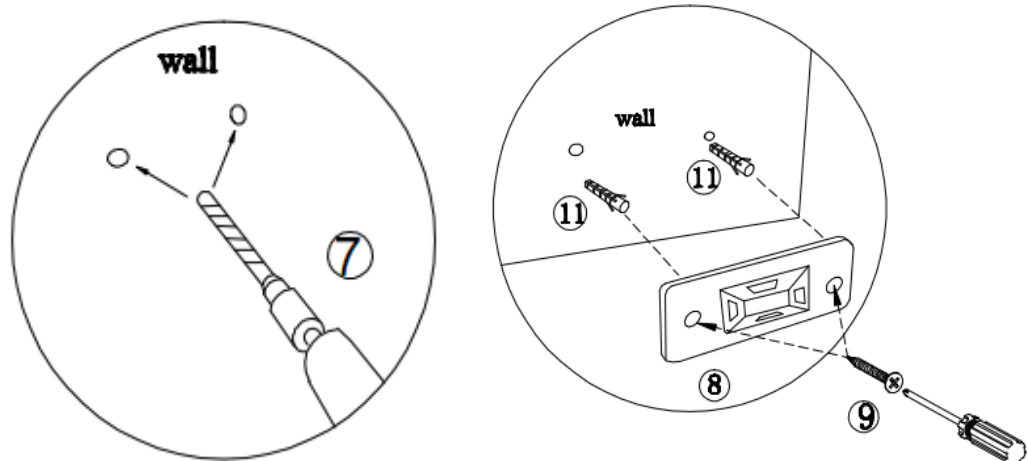
See product instructions for more ways to help prevent furniture tip-over.



Usage For Console Restraint Device:

To secure Console against wall, attach two Brackets (⑧) on the wall and the product, use Restraint Straps (⑫) to connect the Brackets (⑧).

Step 5



5.1) Drill two holes in the wall with a power drill (7).

You can mark these points in two ways as mentioned below:

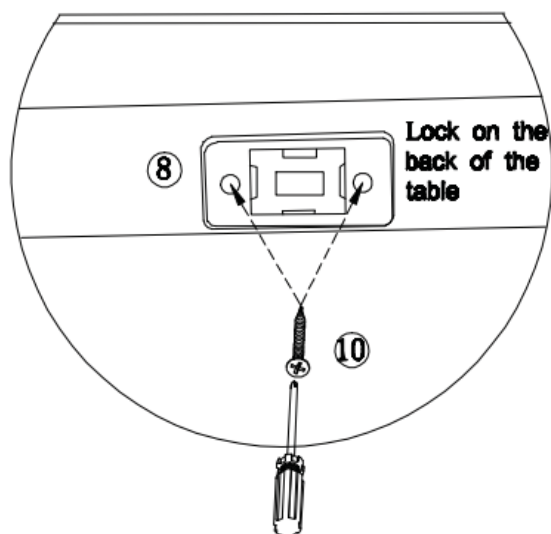
1) Move the Desk back to the wall. Mark two points on the wall that are at the same height as the desk .

Note: The Brackets need to be secured to a solid, load bearing surface. Please use a Stud Finder(not supplied) if needed to locate the Wall Frame.

2) Measure the height of the Brackets (8) with a ruler/measuring tape and mark on the wall to keep them accurate and at the same height.

5.2) Insert Wall Plugs (11) into the drilled holes on the wall with a Hammer (13). Attach Brackets (8) to Wall Plugs (11) using Wall Plug Screws (9) with Screwdriver (6).

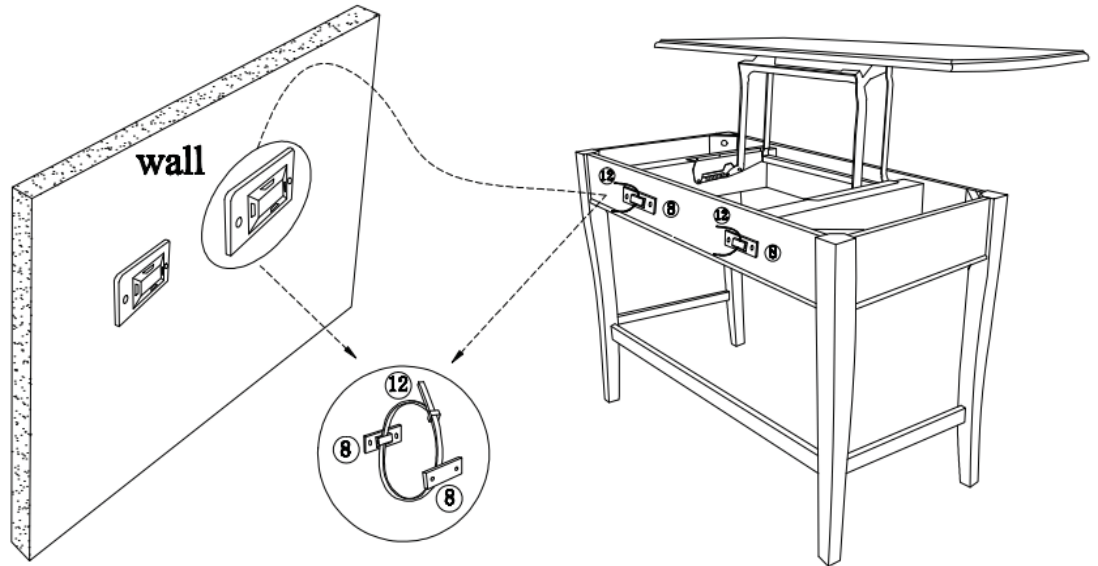
Step 6



Use a Screwdriver (⑥) to lock the Bracket (⑧) with screws(⑩)to the back of the desk.

Note: Measure the height of the Brackets (⑧) with a ruler/measuring tape and mark on wall to keep them accurate and at the same height.

Step 7



The last step

Pull the Restraint Straps (⑫) through the Brackets (⑧) on the wall and the desk one by one, and pull the Restraint Straps (⑫) tight. This Writing Desk is now ready to use.

Caution: This Writing Desk can only be used on flat, level surface.

Care & Maintenance

- ⊘  ● Do not put hot items directly on furniture surface
 - ⊘  ● Do not clean furniture with harsh cleansers or polish.
 - ⊘  ● Do not place furniture under direct sunlight.
 - ⊘  ● Do not place furniture near heating or cooling vents.
 - ⊘  ● Do not write on furniture without a padded barrier to protect the surface.
 - ⊘  ● Do not place furniture outside . For indoor use only .
 - ⊘  ● Not for commercial use. For residential use only .
 - ⊘  ● Stains may be removed with mild soap solution and damp cloth.
 - ⊘  ● Children should not climb or jump on the furniture.
-
- ✓  ● Dust and pick-up spills using a clean, non-colored, lint-free cloth .