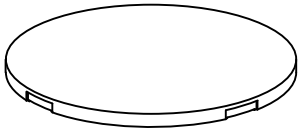


ASSEMBLY INSTRUCTION

COFFEE TABLE

A Table Top



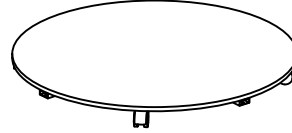
1pc

B Leg Post



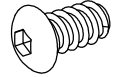
4pcs

C Bottom Panel



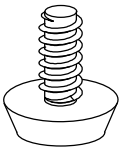
1pc

D Bolt
Ø1/4"x1/2"



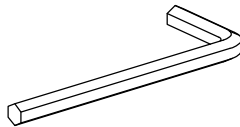
16pcs

E Leveler
Ø1/4"

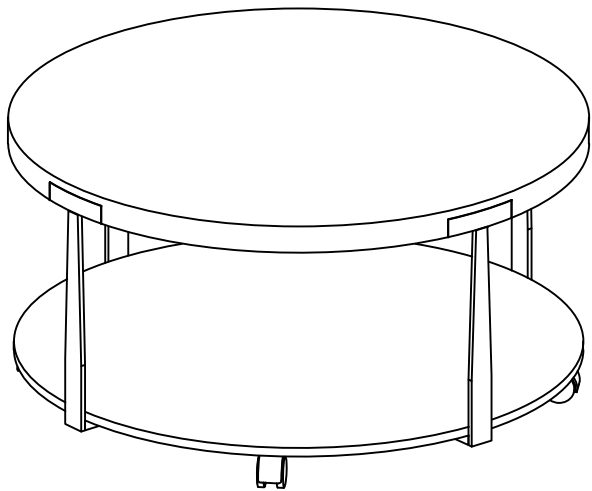


4pcs

F Allen Key
M4

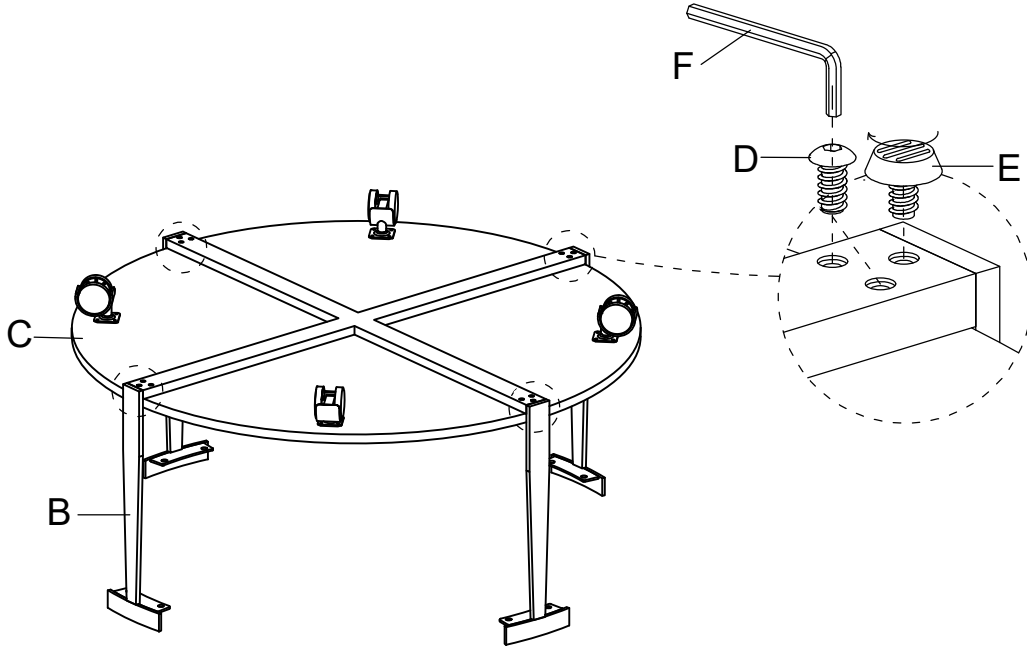


1pc

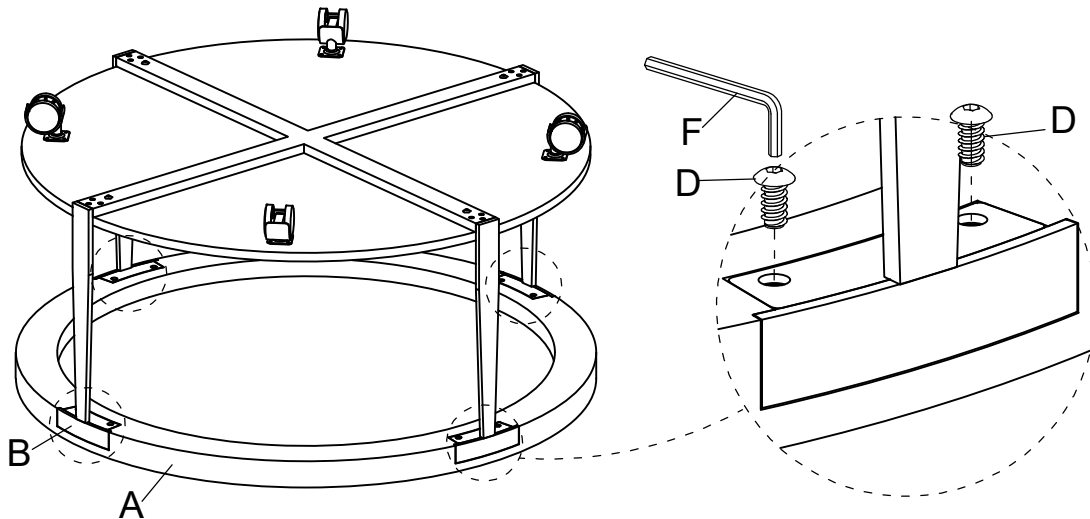


This page lists all the contents included in the box. Please take the time to identify the hardware as well as the individual components to this product. As you unpack and prepare for assembly, place the contents on a carpeted or padded area to protect them from damage.

- 1** Assemble Leg Post (B) to Bottom Panel (C), using Bolt (D) by Allen Key (F), then assemble Leveler (E) to Bottom Panel (C) as below shown.



- 2** Assemble Leg Post (B) to Table Top (A), using Bolt (D) by Allen Key (F) as below shown.



Cleaning & Care

Treat surface with care. Surface is resistant to scratches but is not scratch resistant. Clean surfaces with a dry or damp soft cloth. Do not use abrasive cleaners. Hardware may loosen over time. Periodically check that all connections are tight.