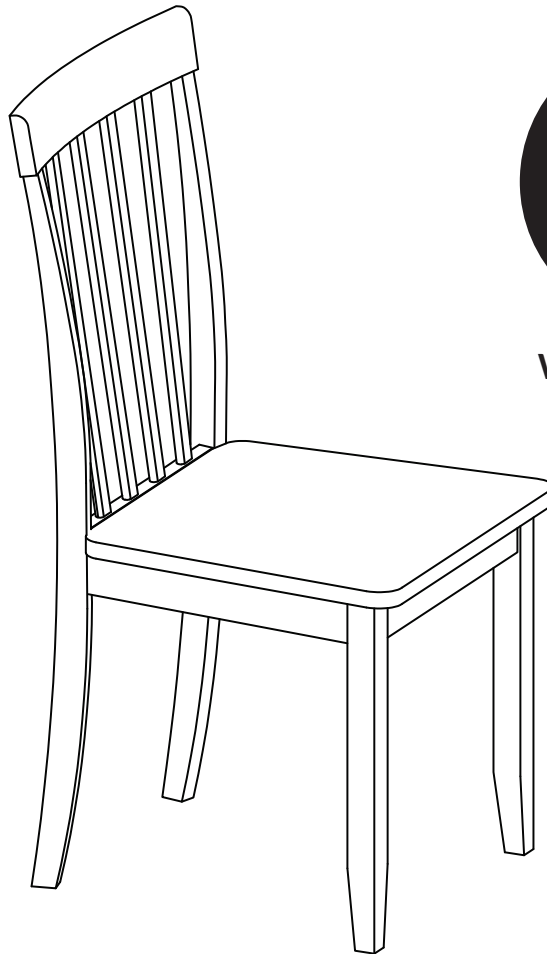


# ASSEMBLY INSTRUCTIONS

---

## BLOOMINGTON DINING CHAIR



**Weight Capacity**



Have questions about  
assembling your item?



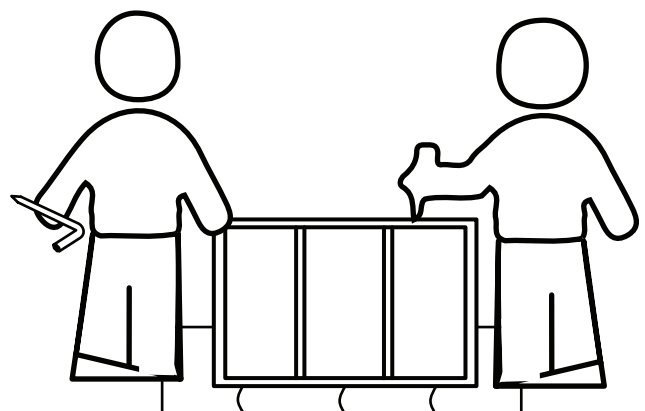
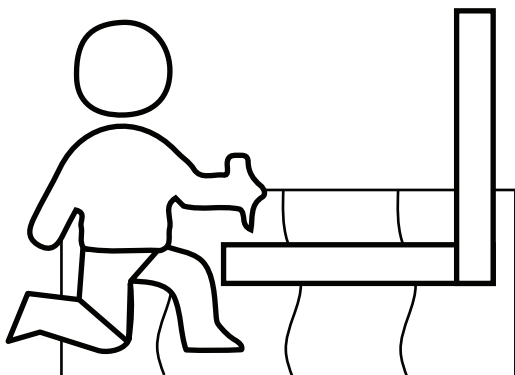
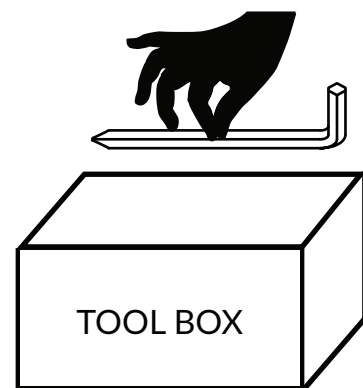
Items or parts damaged?



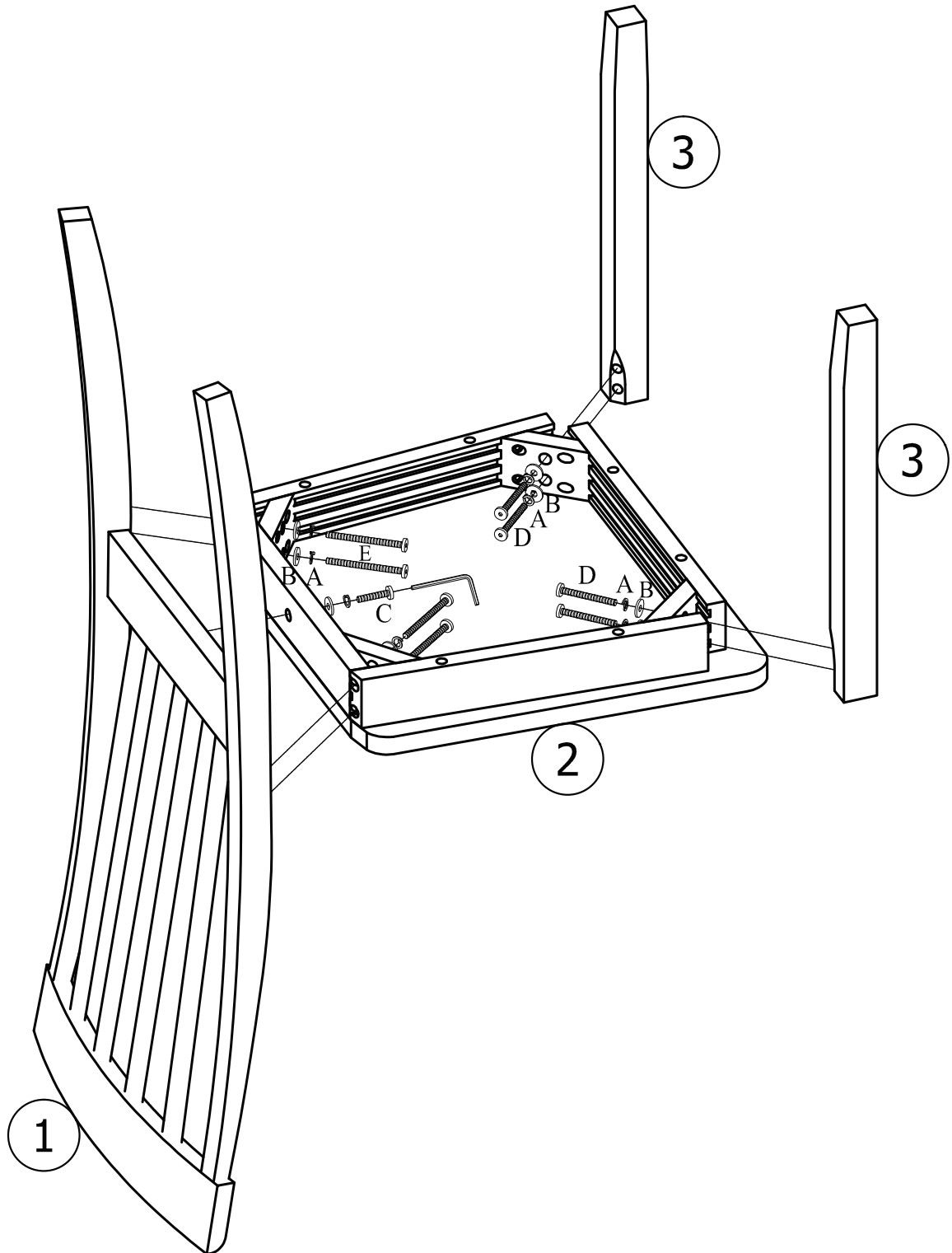
Missing a part?

# Assembly And Care

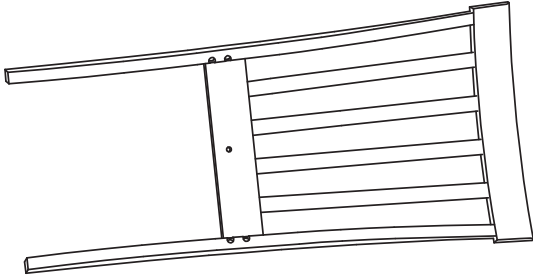
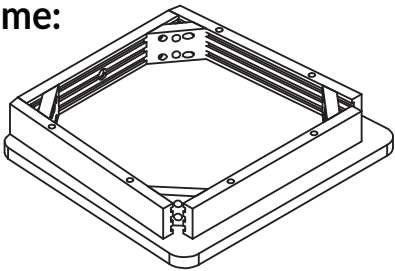

- All tools required for assembly are included unless noted.
- Prior to assembly, check for missing or damaged parts.
- Do not dispose of packaging materials until assembly is completed.
- Assemble item on a soft, clean surface to prevent damage to the item.




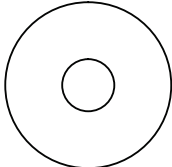
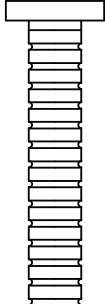
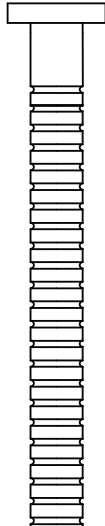
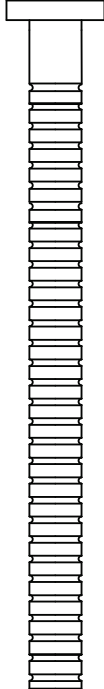

# Assembly Overview



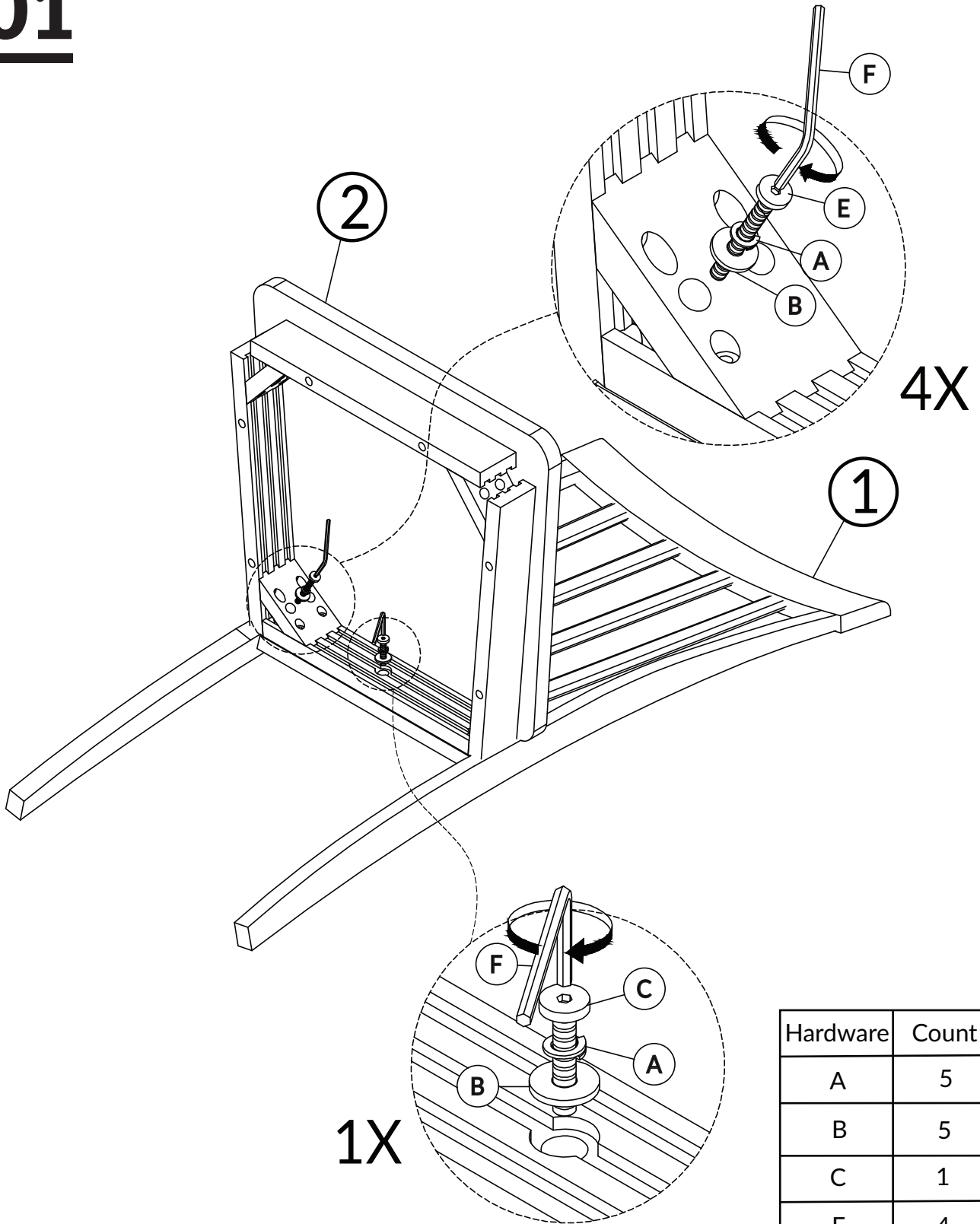
# PARTS

① (x1)	
<b>Chair Back:</b> 	
② (x1)	③ (x2)
<b>Seat Frame:</b> 	<b>Leg:</b> 

# HARDWARE

Ⓐ (x9)	Ⓑ (x9)	Ⓒ (x1)	Ⓓ (x4)	Ⓔ (x4)	Ⓕ (x1)
					
Spring Washer	Flat Washer	Bolt M6x35	Bolt M6x60	Bolt M6x80	Allen Wrench

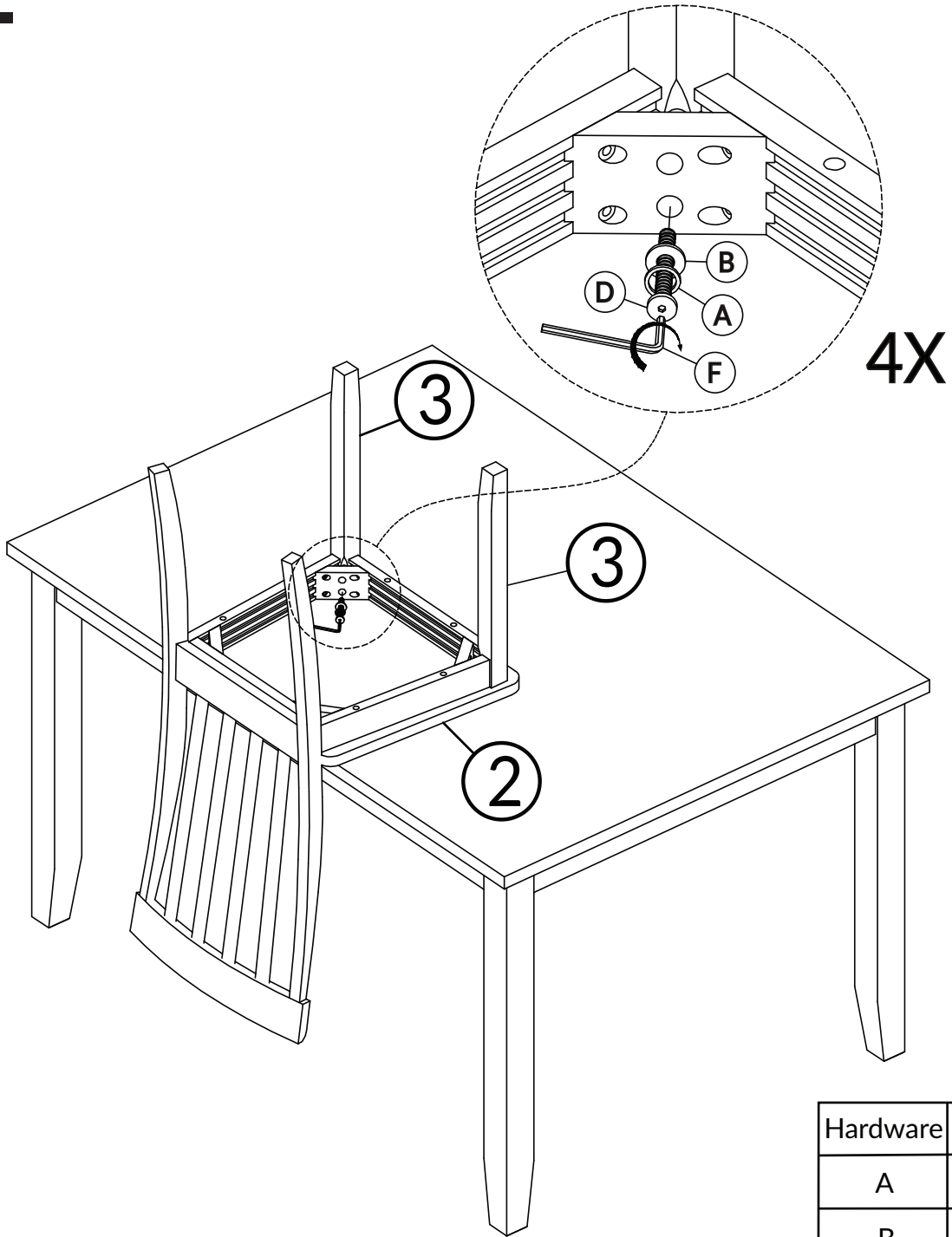
# 01



Hardware	Count
A	5
B	5
C	1
E	4
F	1

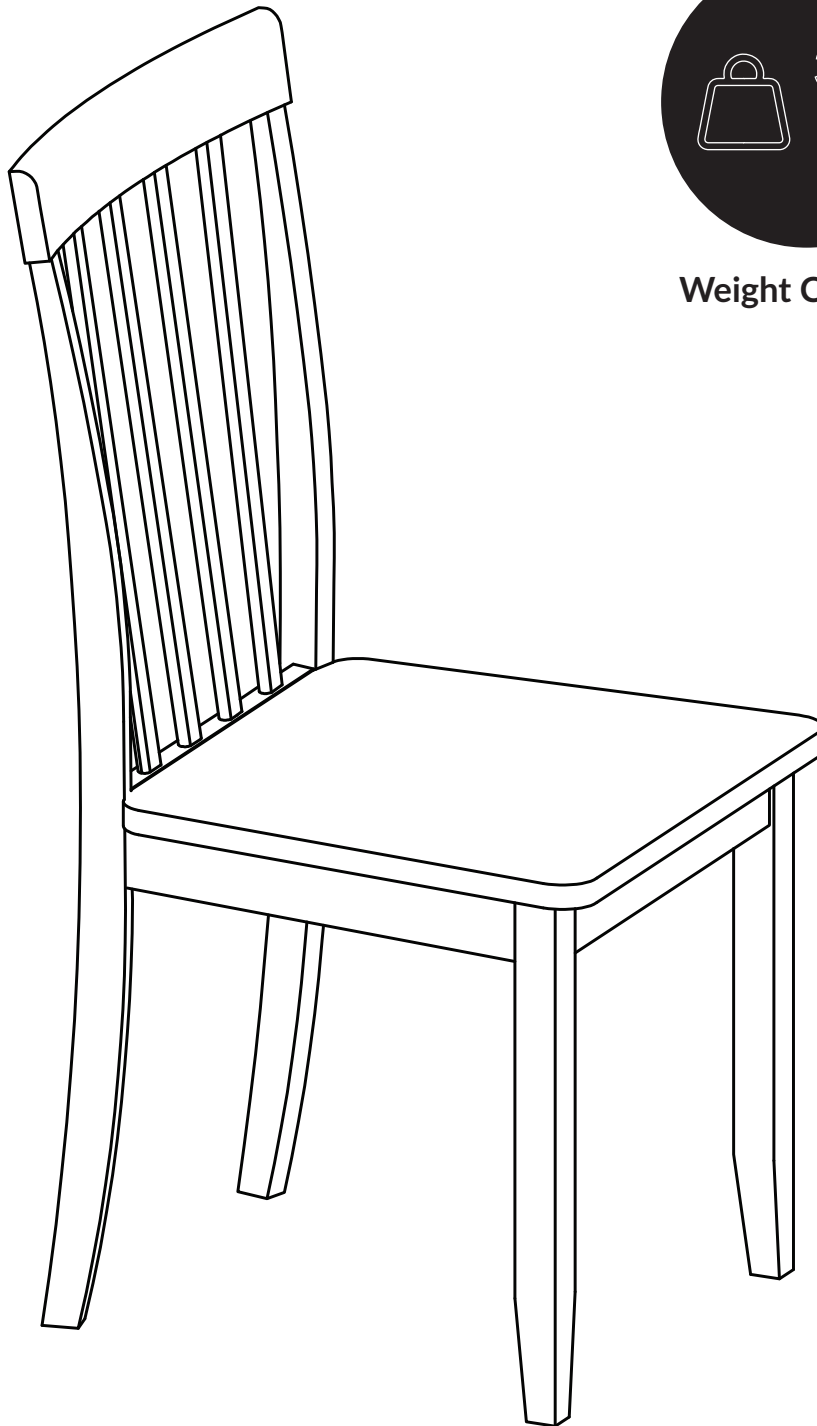
TIGHTEN BOLT COMPLETELY.

# 02



Hardware	Count
A	4
B	4
D	4
F	1

TIGHTEN BOLT COMPLETELY.



**Weight Capacity**

**BE SURE TO CHECK ALL BOLTS ARE SECURELY TIGHTENED PRIOR TO USE.**