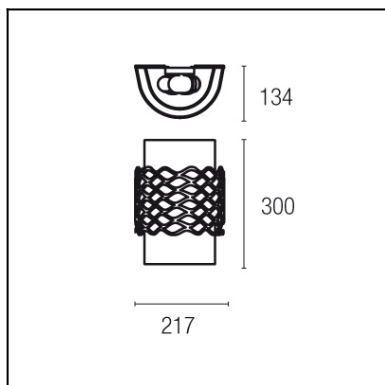




The photograph may not match the reference exactly. Please read the product description to identify the finish.



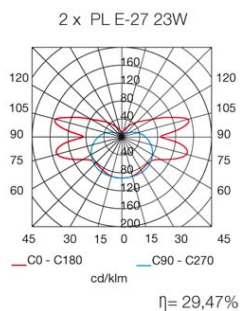
TECHNICAL CHARACTERISTICS

Type:	Wall fixture
IP Protection degrees:	IP20
Light source 1:	2 x E27 23W Maximum lamp length: 170.00 mm Maximum lamp diameter: 60.00 mm
Voltage / Frequency:	220-240V/50-60Hz
Units per box:	6
Net Weight (Kg):	0.87

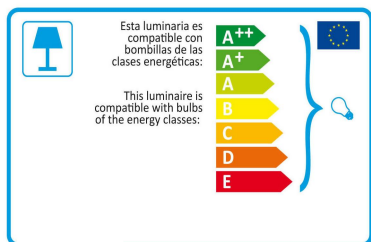


MATERIALS / FINISHES

Structure material: Steel	Diffuser material: Fabric shade
Structure finish: Oxide brown	Diffuser finish: Beige



Download photometric file .ldt / .ies

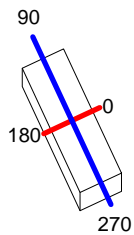


Click on image to download energy label

Luminaire		Measur.		Lamp		
Name	Aplique 2x23W PL E27	Name	Aplique 2x23W PL E27	Code	PL ELEC23W/827 E27	
Line	Eulumdat			Number	2	
				Position		
Efficiency	29.47%	Coordinate system	CG	Total Flux	2970.00 lm	
Maximum value	152.57 cd	Position	C=0.00 G=105.00	Double Symmetrical		
Rectangular Luminaire	Length	300 mm	Width	100 mm	Height	160 mm
Rectangular Luminous Area	Length	300 mm	Width	100 mm	Height	160 mm
Horizontal Luminous Area	0.030000 m2	Emitting area on Plane 180°		0.048000 m2		
Emitting area on Plane 0°	0.048000 m2	Emitting area on Plane 270°		0.016000 m2		
Emitting area on Plane 90°	0.016000 m2	Glare area at 76°		0.053832 m2		
Symmetry Type	Double Symmetrical	Maximum Gamma Angle		180		
Measurement Distance	0.00	Measurement Flux		2970.00 lm		
Operator	Asselum	Source voltage				
Temperature	25.00 °C	Source current				
Humidity	60.00 %	Photocell				
Notes						

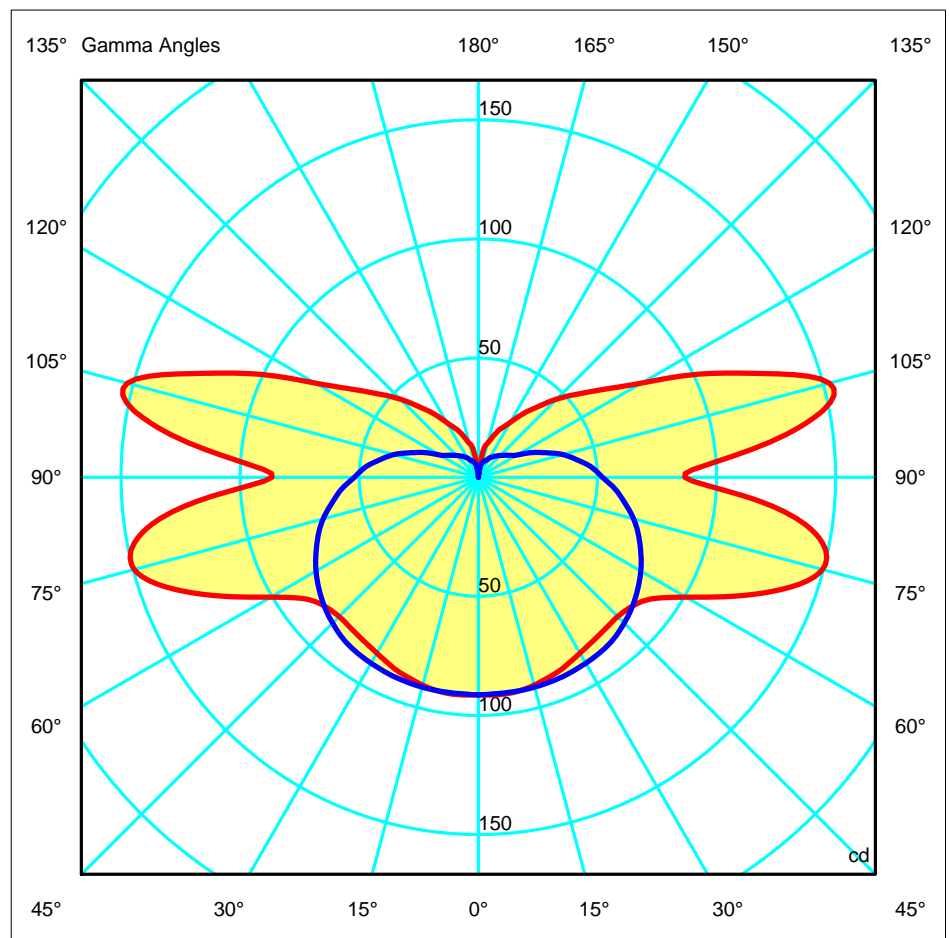
Luminaire Lamps						
Line	Code	Name	Flux [lm]	Pow. [W]	Q.ty	
Eulumdat	PL ELEC23W/827 E27	PL ELEC23W/827 E27 - 23.00 W	1485.00	23.00	2	
C.I.E.	25 48 74 64 29	D DIN 5040				B11
F UTE	0.19 J + 0.11 T	B NBN				BZ 8

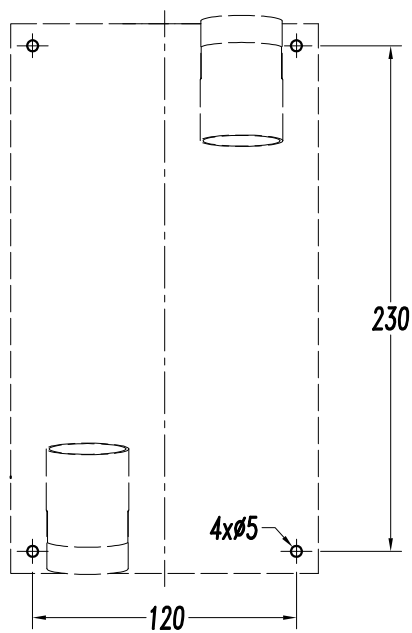
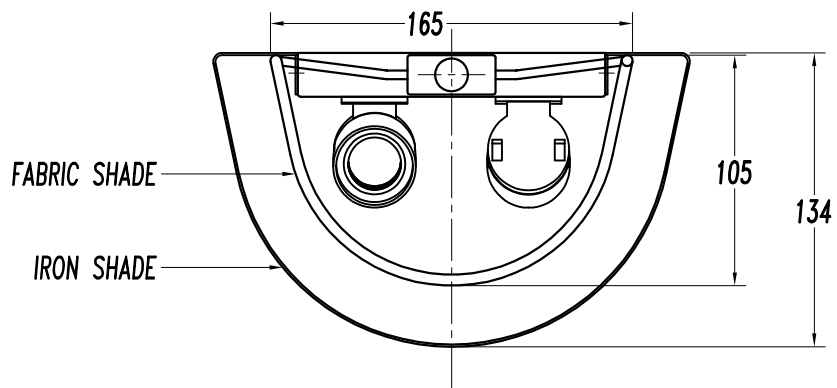
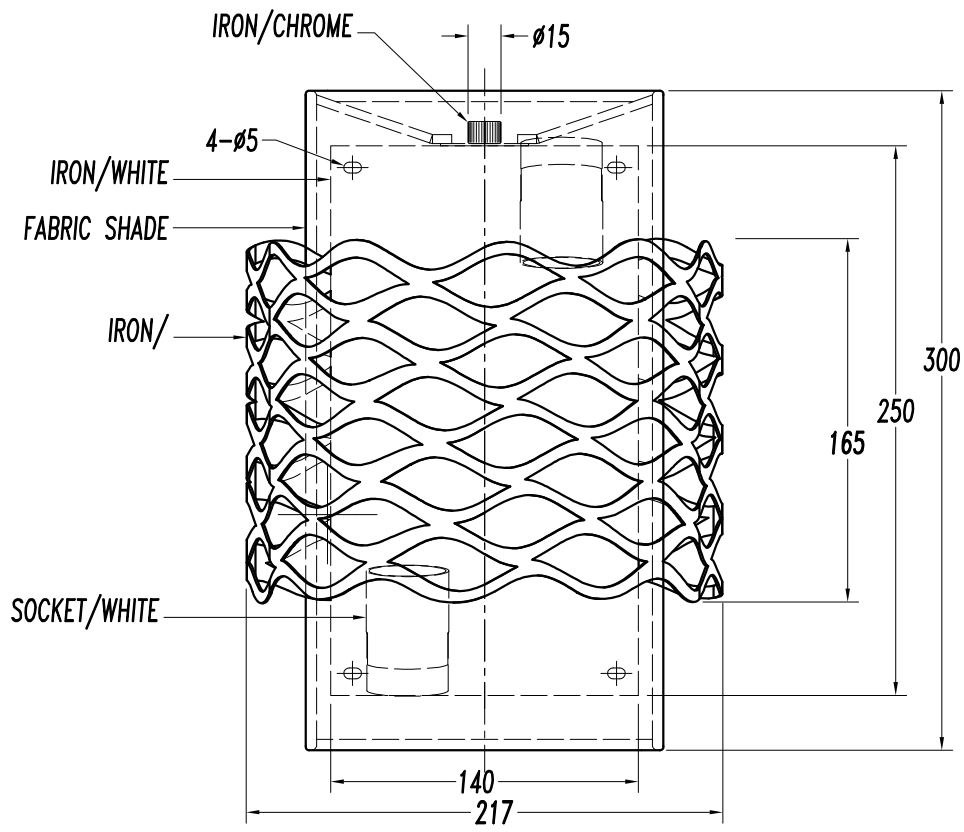
300mm x 100mm

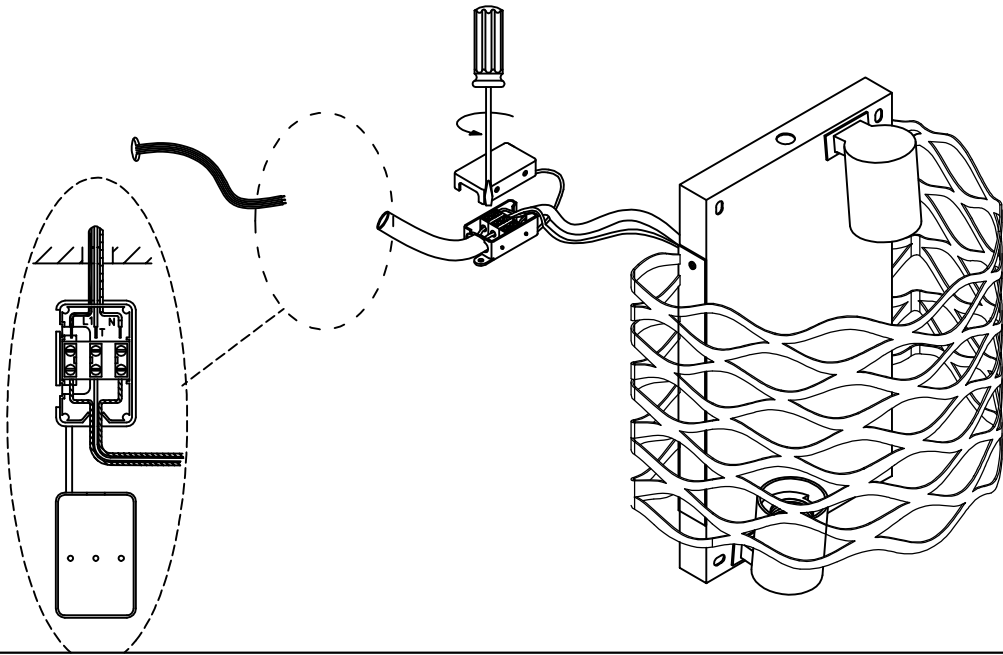
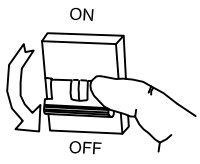
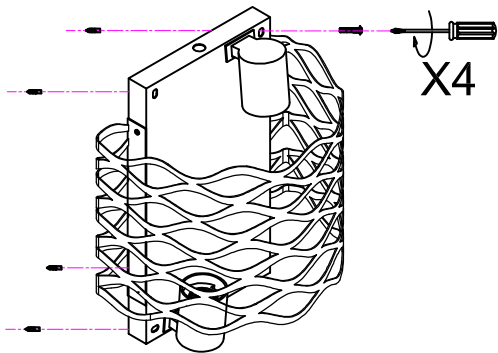
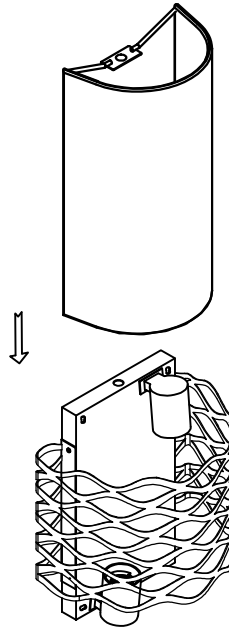
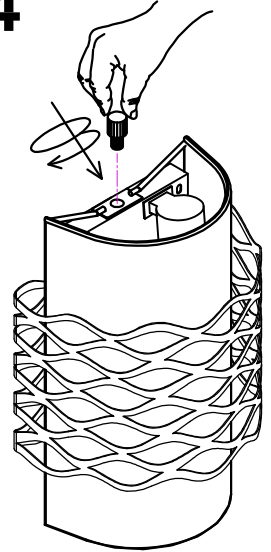
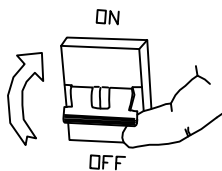
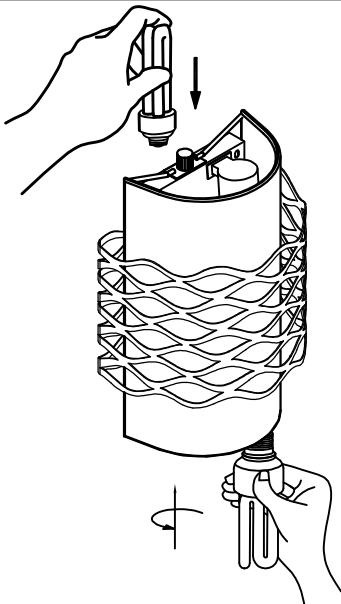


C Halfplanes
 180.0 — 0.0
 270.0 — 90.0

ULOR 10.69 %
 DLOR 18.78 %
 RN 36.29 %





1**2****3****4****5****6**