

## Fittings



x4



x4



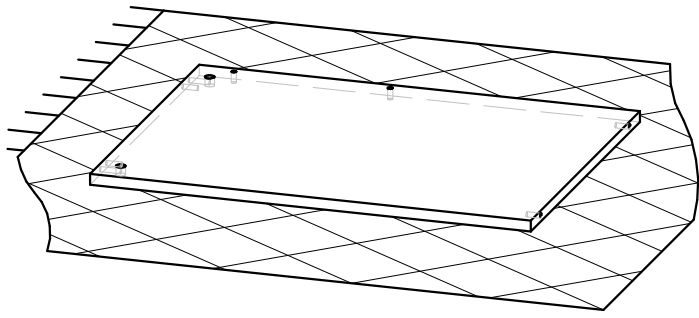
x4



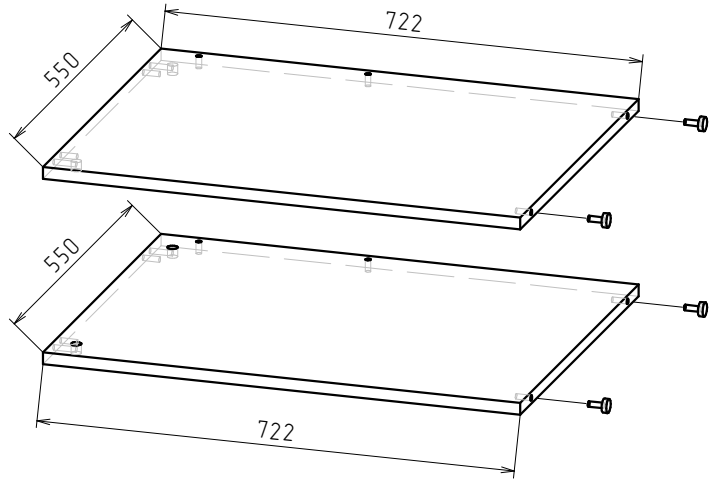
x4



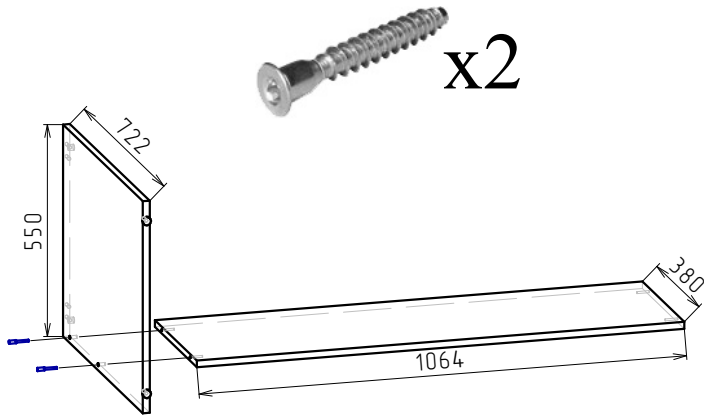
x4



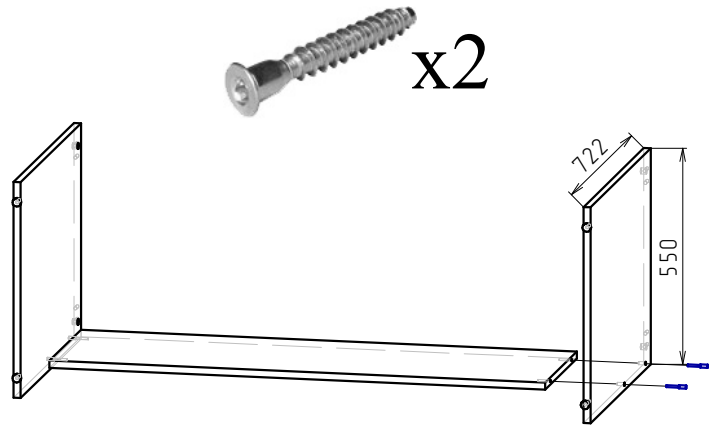
1



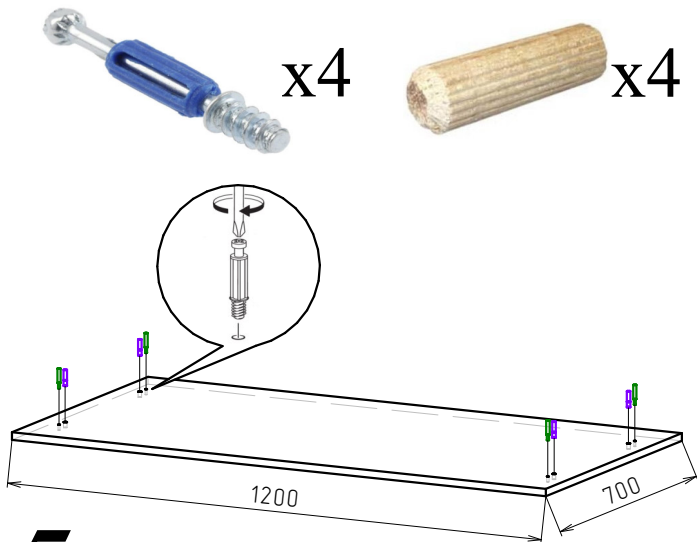
2



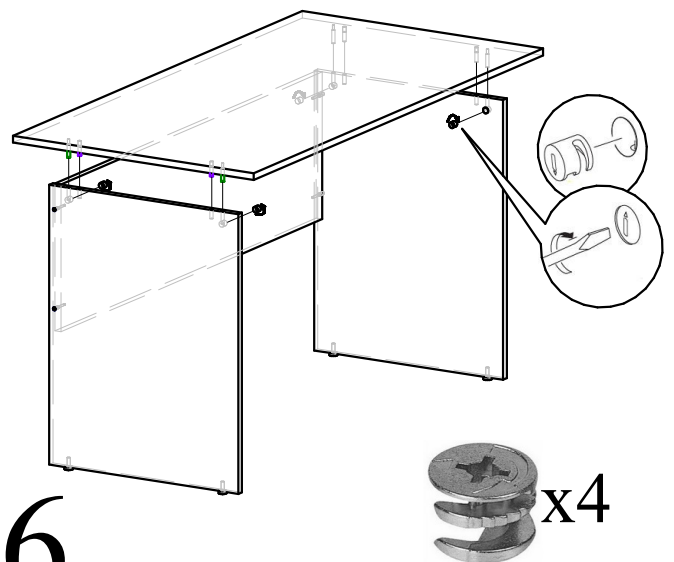
3



4



5



6