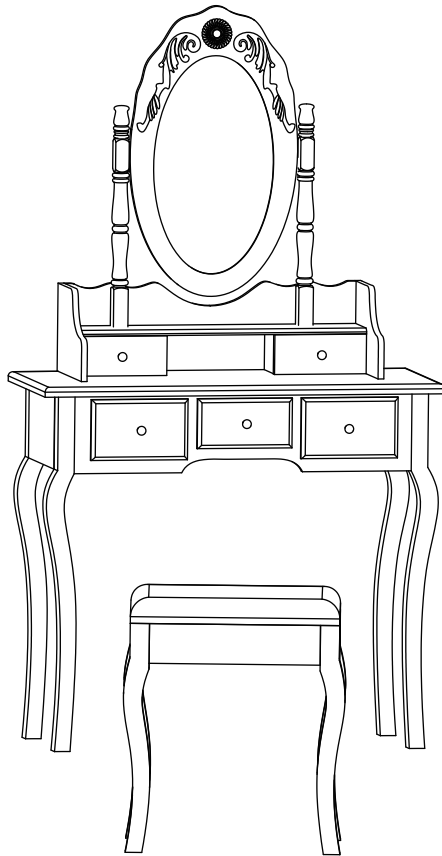


Instruction manual



CONTENTS

Safety and care advice	1
Components – panels	2
Assembly instructions	4
Copyright	9

⚠️ SAFETY AND CARE ADVICE ⚠️

PLEASE READ THESE INSTRUCTIONS CAREFULLY AND KEEP FOR FUTURE REFERENCE

- **Warning:** This unit weighs approximately 25kgs. Please lift with care.
- Check you have all the components and tools listed on pages 2 and 3.
- Remove all fittings from the plastic bags and separate them into their groups.
- Keep children and animals away from the work area, small parts could choke if swallowed.
- Make sure you have enough space to layout the parts before starting.
- Do not stand or put weight on the product, this could cause damage.
- Assemble the item as close to its final position (in the same room) as possible.

- Assemble on a soft level surface to avoid damaging the unit or your floor (use opened out unit carton).



- We do not recommend the use of power drill/drivers **for inserting screws**, as this could damage the unit. Only use hand screwdrivers.
- **Safety note:** If there is any chance of this unit being pulled over by children etc. it is recommended that the unit is secured to a wall using suitable fixings (not supplied).
- Dispose of all packaging carefully and responsibly.

CARE AND MAINTENANCE

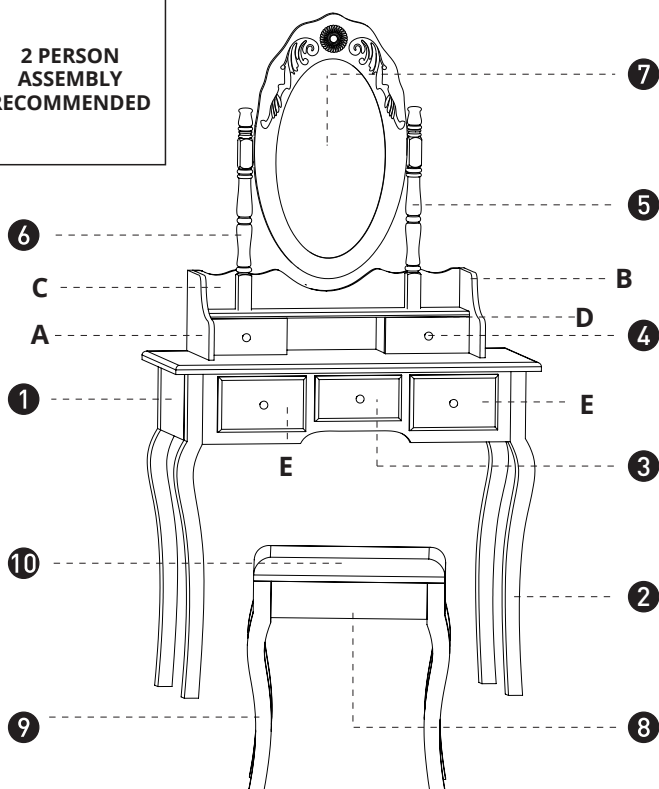
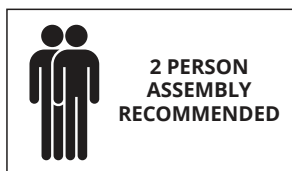
- Only clean using a damp cloth and mild detergent, do not use bleach or abrasive cleaners.
- From time to time check that there are no loose screws on this unit.

- This product should not be discarded with household waste. Take to your local authority waste disposal center.

Note *If required the next page can be cut out and used as reference throughout the assembly. Keep this page with these instructions for future reference.*

COMPONENTS — PANELS

Please check you have all the panels listed below:



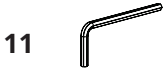
PANEL LIST

1	Table Body (CAPRI-1)	x1	8	Seat (CAPRI-8)	x1
2	Table Leg (CAPRI-2)	x4	9	Chair leg (CAPRI-9)	x4
3	Drawer (CAPRI-3)	x1	10	Cushion (CAPRI-10)	x1
4	Small Drawer (CAPRI-4)	x2	A	Left Board (CAPRI-A)	x1
5	Mirror Fixture Right (CAPRI-5)	x1	B	Right Board (CAPRI-B)	x1
6	Mirror Fixture Left (CAPRI-6)	x1	C	Back Board (CAPRI-C)	x1
7	Mirror (CAPRI-7)	x1	D	Shelf Board (CAPRI-D)	x1
			E	Side Table Drawer (CAPRI-E)	x2



COMPONENTS — FITTINGS

Please check you have all the fittings listed below:



Allen key x 1
CAPRI-11



Screw (M6x60) x 2
CAPRI-15



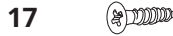
Screw (M8x50) x 8
CAPRI-12



Screw (M4x20) x 2
CAPRI-16



Screw (M8x50) x 8
CAPRI-13

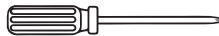


Screw (M3x14) x 6
CAPRI-17



Screw (M6x30) x 16
CAPRI-14

TOOLS NEEDED
(Not provide)




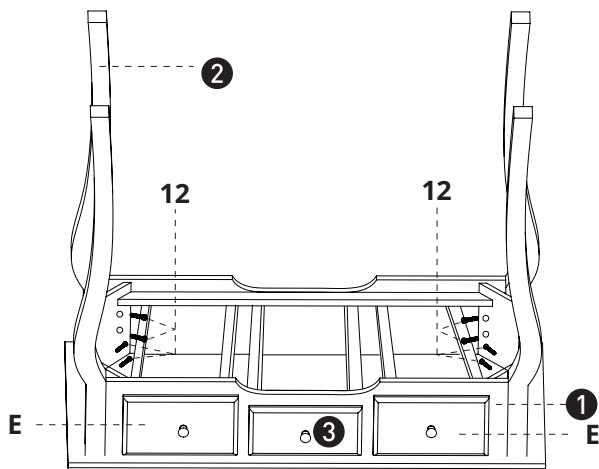
Phillips Screwdriver x 1




ASSEMBLY INSTRUCTIONS

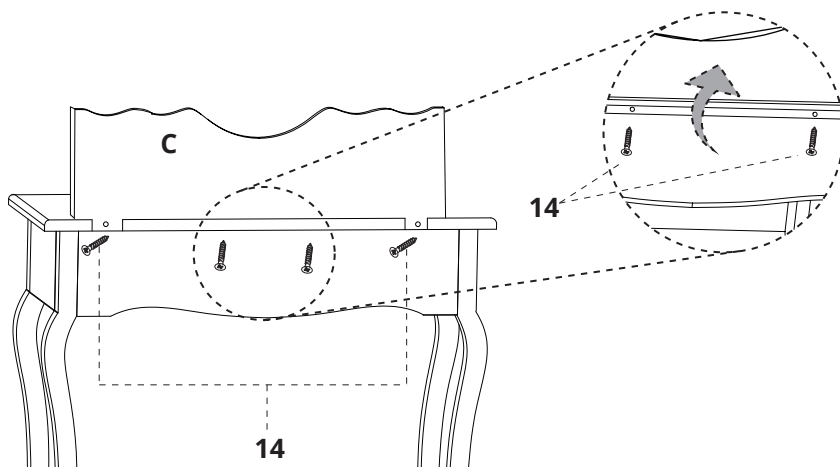
Step 1

12		8
----	---	---




Step 2

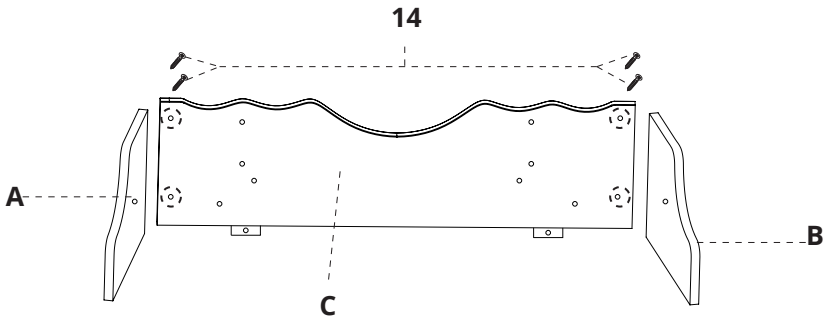
14		4
----	---	---




ASSEMBLY INSTRUCTIONS

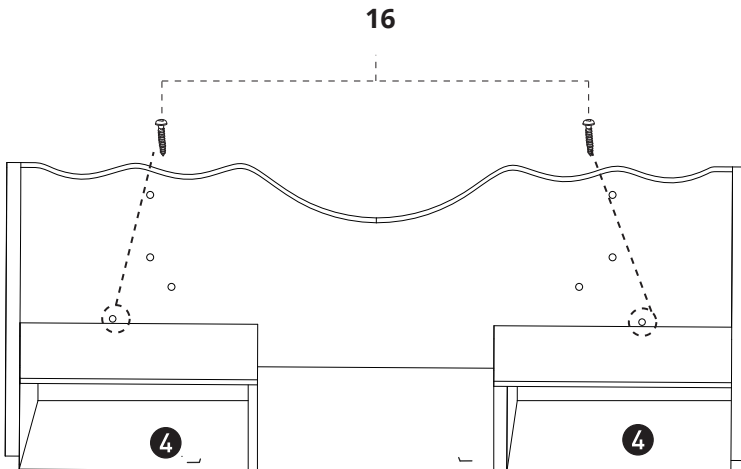
Step 3

14		4
----	---	---




Step 4

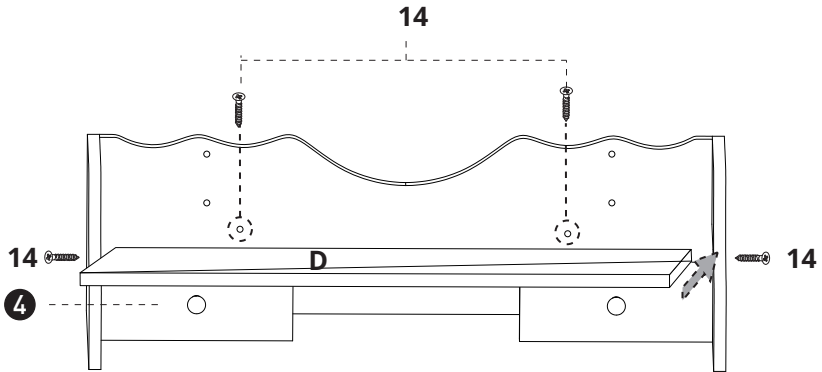
16		2
----	---	---




ASSEMBLY INSTRUCTIONS

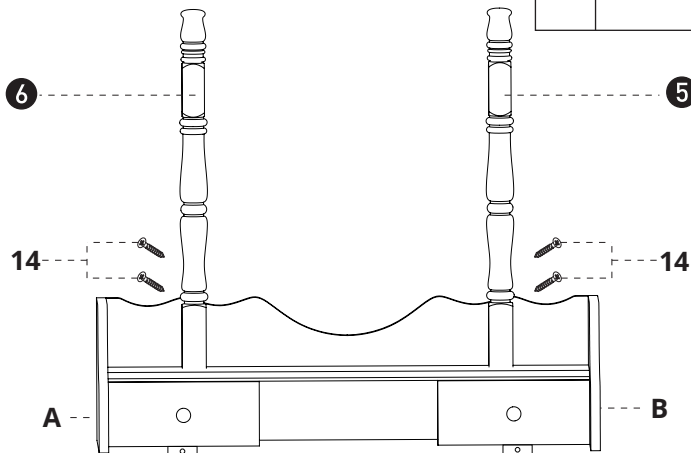
Step 5

14		4
----	---	---



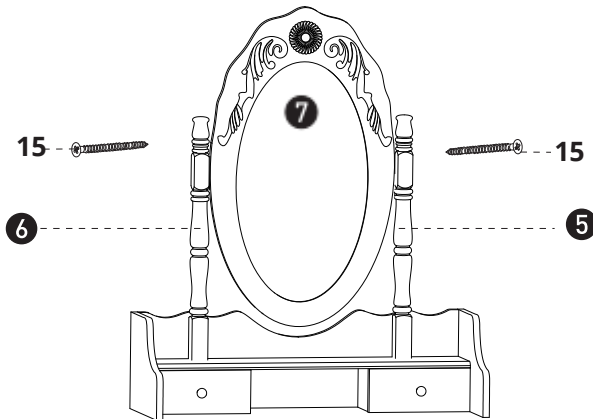
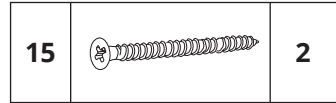
Step 6

14		4
----	---	---



ASSEMBLY INSTRUCTIONS

Step 7



Now put the mirror upon the desk.

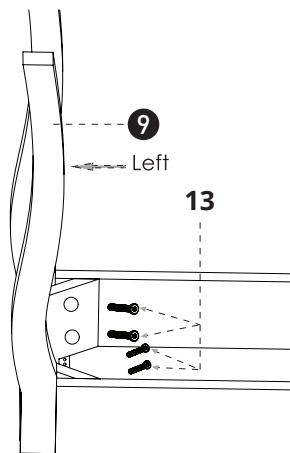
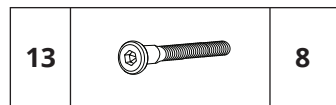
Step 8

1. Fix the chair legs (9) with two screws (13) each to the seat rack (8). Use allen key..

2. Fix the cushion (10) to the seat rack (8). Take six screws (17) for that.


3. Turn the stool around and place it with your dressing table.

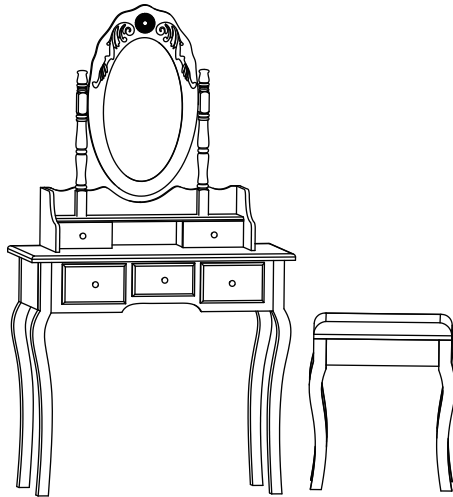
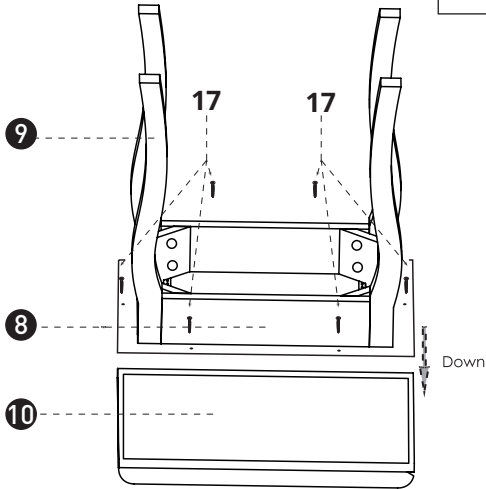
ATTENTION: Make sure ALL screws (table and stool) are properly tightened.



ASSEMBLY INSTRUCTIONS

Step 9

17		6
----	---	---



Congratulations! Now you have finished assembling the product. There may be some dust or hand marks on your item, we recommend using a lens cloth to clean this product.