






# Assembly Instructions

**Caution : You must read this before you proceed**

## Care & Maintenance

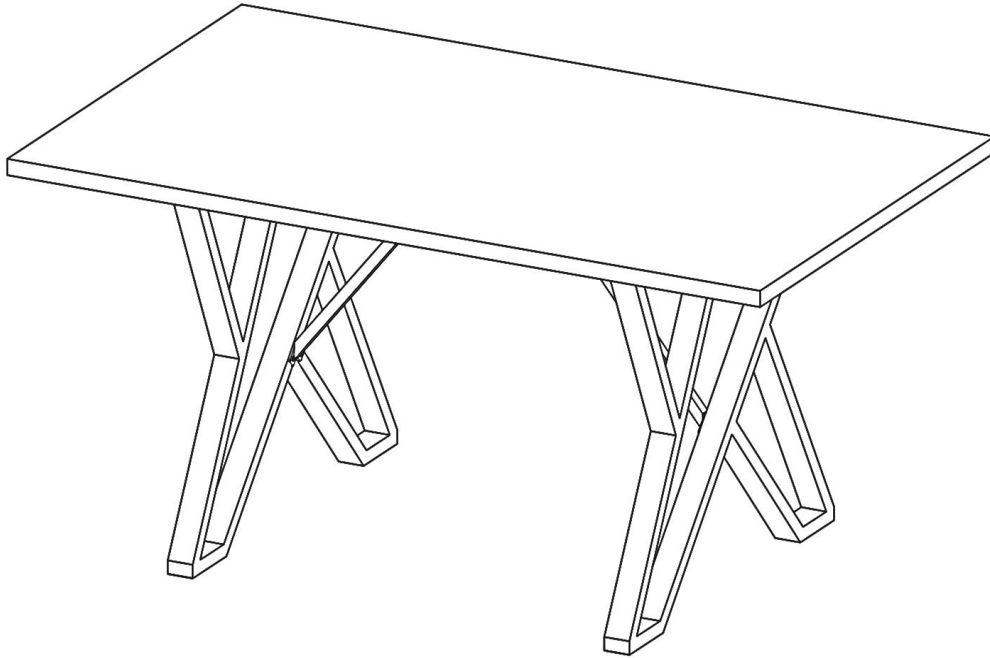
- ⊘  ● Not for commercial use. For residential use only.
- ✓  ● Furniture may scratch floors. We recommend using furniture pads to protect your floors.
- ⊘  ● Do not put hot items directly on furniture surface.
- ⊘  ● Do not clean furniture with harsh cleansers or polish.
- ⊘  ● Do not place furniture under direct sunlight.
- ⊘  ● Do not place furniture near heating or cooling vents.
- ⊘  ● Do not write on furniture without a padded barrier to protect the surface.
- ⊘  ● Do not place furniture outside . For indoor use only.
- ⊘  ● Stains may be removed with mild soap solution and damp cloth.
- ⊘  ● Children should not climb or jump on the furniture.




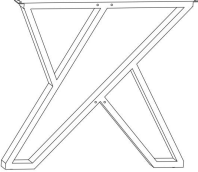
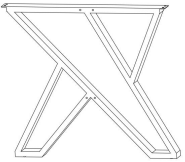
- Dust and pick-up spills using a clean, non-colored, lint-free cloth.



Please look in the carton for hardware packs and legs.  
Sets often ship in multiple boxes and may arrive a day or two apart.

# TABLE



## Part List


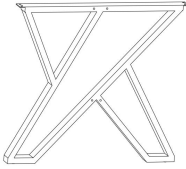
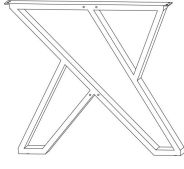

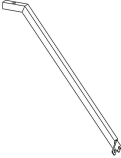




Label	Picture	Description	QTY
A		Table Top	1
B		Left Leg	1
C		Right Leg	1

D		Table Stretcher	1
E		Table Support	2

## Hardware List

Label	Picture	Description	QTY
①		Short Bolts (1/4"x16mm)	17
②		Long Bolts (1/4"x30mm)	3
③		Flat Washer	19
④		Allen Wrench (4mm)	1

## Assembly Preparation

<p>Before Beginning Assembly:</p>	 <p>A x 1</p>  <p>B x 1</p>  <p>C x 1</p>  <p>D x 1</p>  <p>E x 2</p>	 ① x 17  ② x 3  ③ x 19  ④ x 1
-----------------------------------	---	--



- Read instructions, cover to cover-



- Have 2 adults on hand for assembly-



- Do not assemble on flooring or carpet-



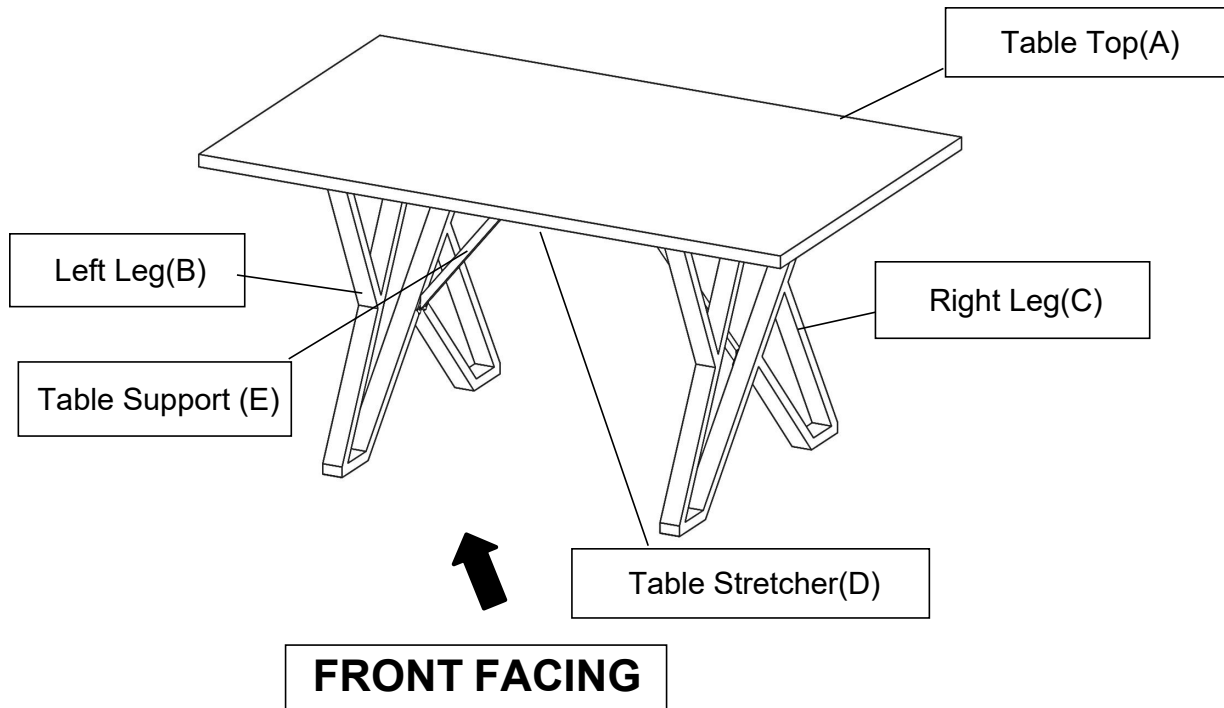
- Assemble on a clean non-marring surface (packing foam)-



- Save all packaging until finished-

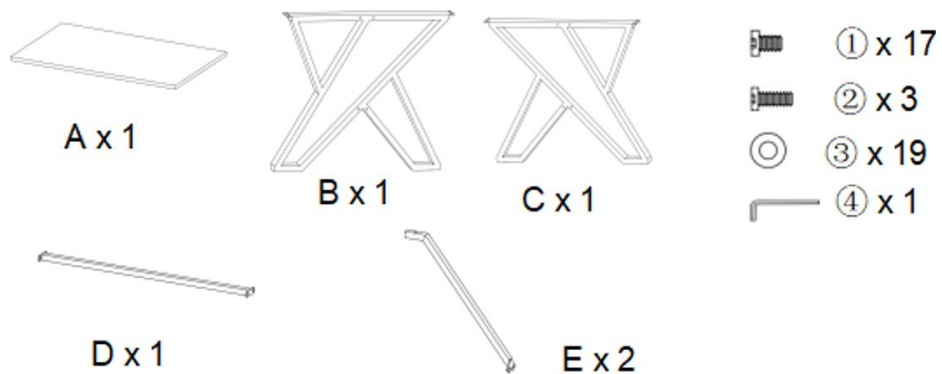
# Assembly Steps

## OVERVIEW



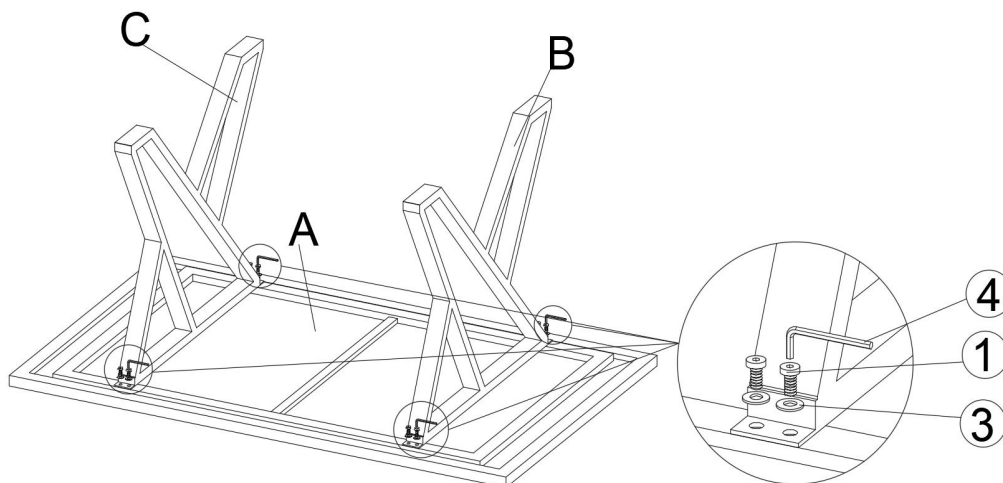
This Table has multiple parts and may require up to some 30 minutes to assemble. To give you an overview of the Table parts, the above picture is to help you put the various parts into perspective. Please read through the instructions below to familiarise yourself with the parts and steps before assembly.

### Step 1



Open the carton and place all the parts onto a clean, non-marring surface.

## Step 2



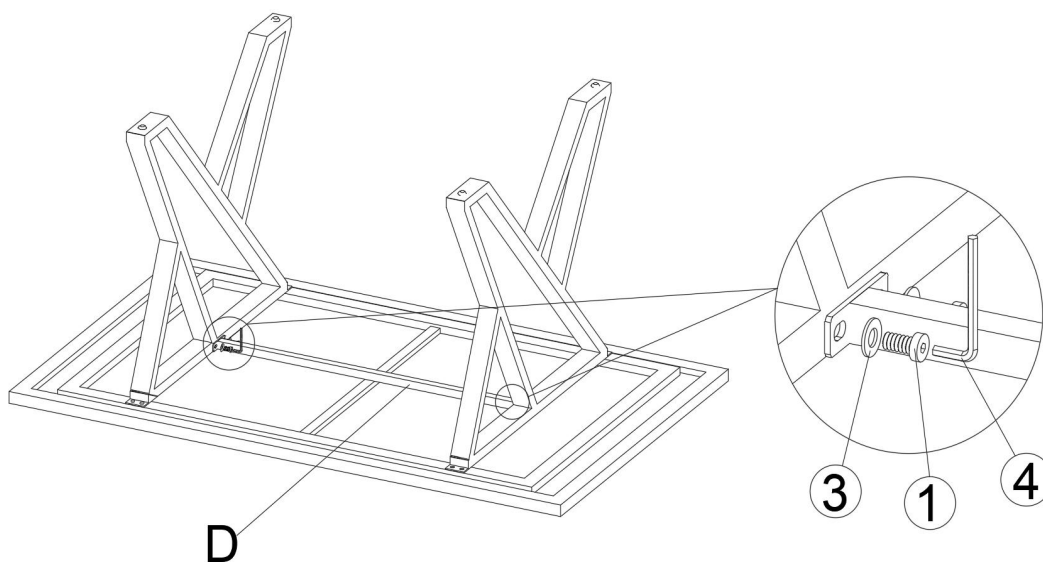
With the help from you radult partner, position the Table Top(A) facedown onto a clean, non-marring surface,as shown above.

Align the hole of Left Leg (B) and Right Leg (C) into the Table Top(A) ,attach the Left Leg (B) and Right Leg (C) to the Table Top(A) using Short Bolt(①), Flat Washer(③) and Allen Wrench(④).

Repeat the same step to install the remaining Legs(B).

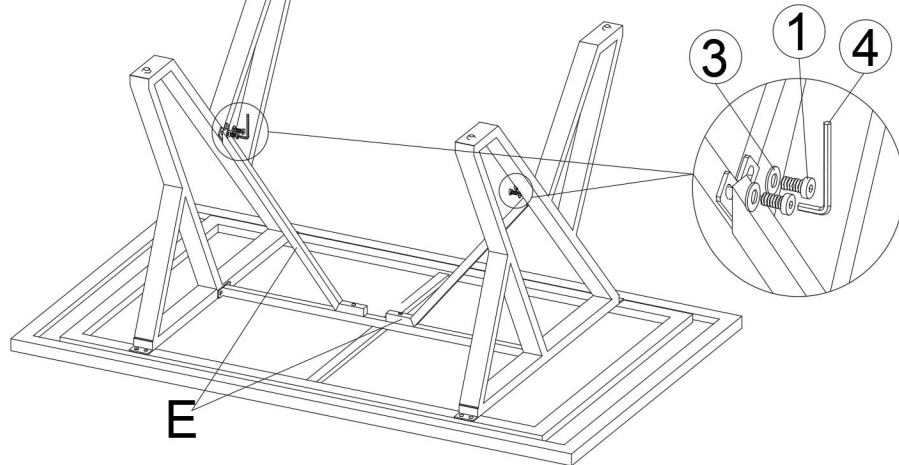
**DO NOT FULLY TIGHTEN BOLTS.**

## Step 3



Attach the Table Stretcher(D) to the Left Leg (B) and Right Leg (C) using Short Bolt(①), Flat Washer(③) with Allen Wrench (④).

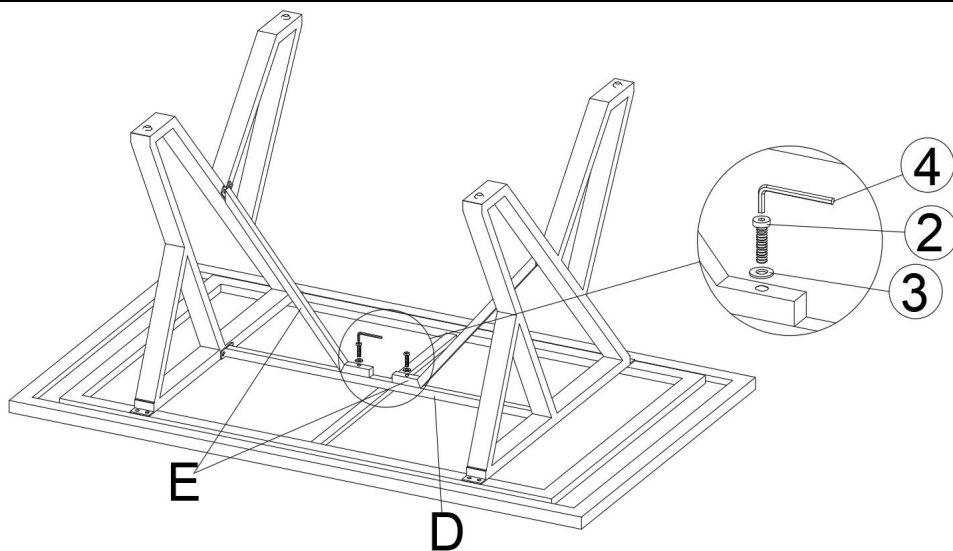
### Step 4



Align the hole of Table Support(E) into the Left Leg (B) and Right Leg (C), attach Table Support(E) to the Left Leg (B) and Right Leg (C) using Short Bolt(①) ,Flat Washer(③) with Allen Wrench(④).

Repeat the same step to install the remaining Support (E).

### Step 5



Align the hole of Table Support(E) into the Table Stretcher(D), attach Table Support(E) to the Table Stretcher(E) using Long Bolt(②), Flat Washer(③) with Allen Wrench(④).

Repeat the same step to install the remaining Support (E).

**Tighten all bolts at all joints completely.**

Step 6



Turn the table right side up.

Step 7



Your table is ready for use.  
This table can only be used on a flat, level surface.