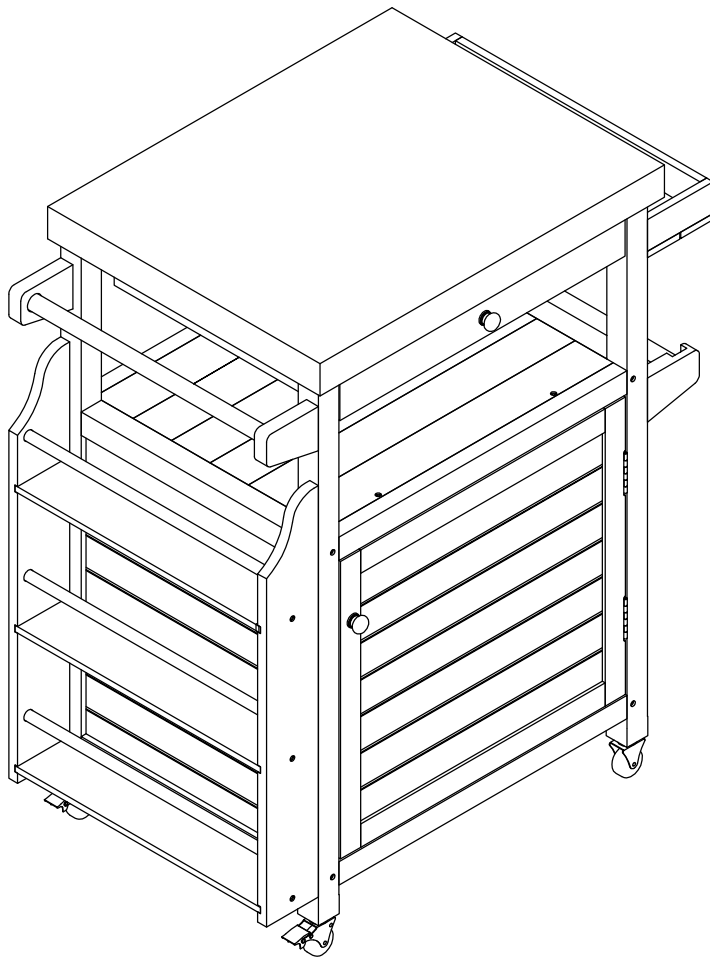


# ASSEMBLY INSTRUCTION

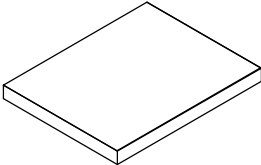
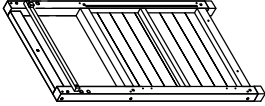
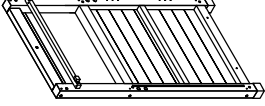
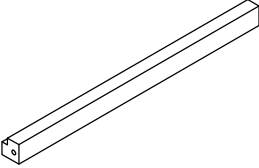
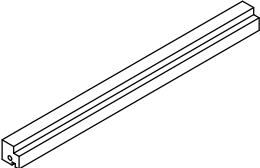
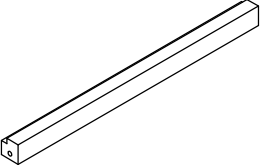
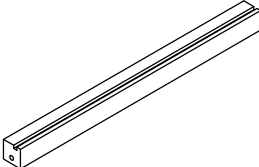
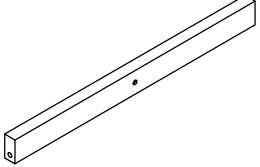
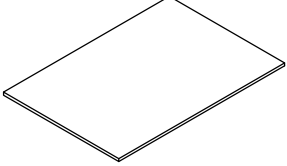
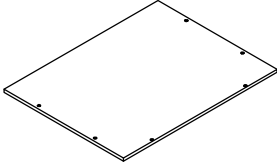
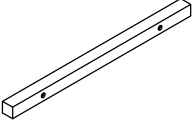
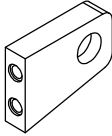
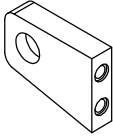
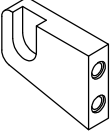
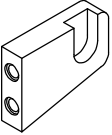
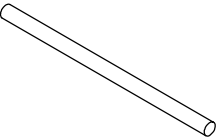
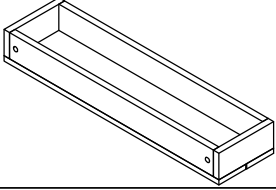
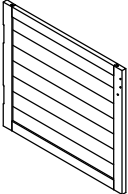
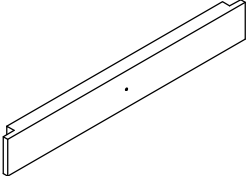
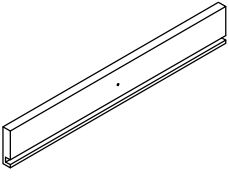
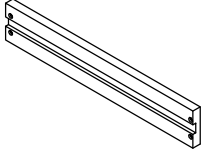
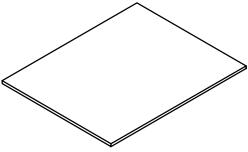
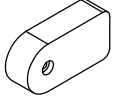
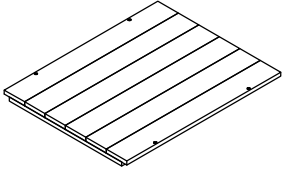
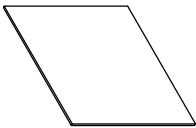
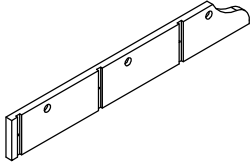
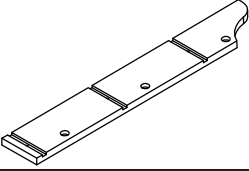
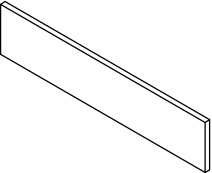
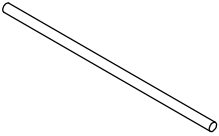


**IMPORTANT,RETAIN FOR FUTURE REFERENCE:READ CAREFULLY**

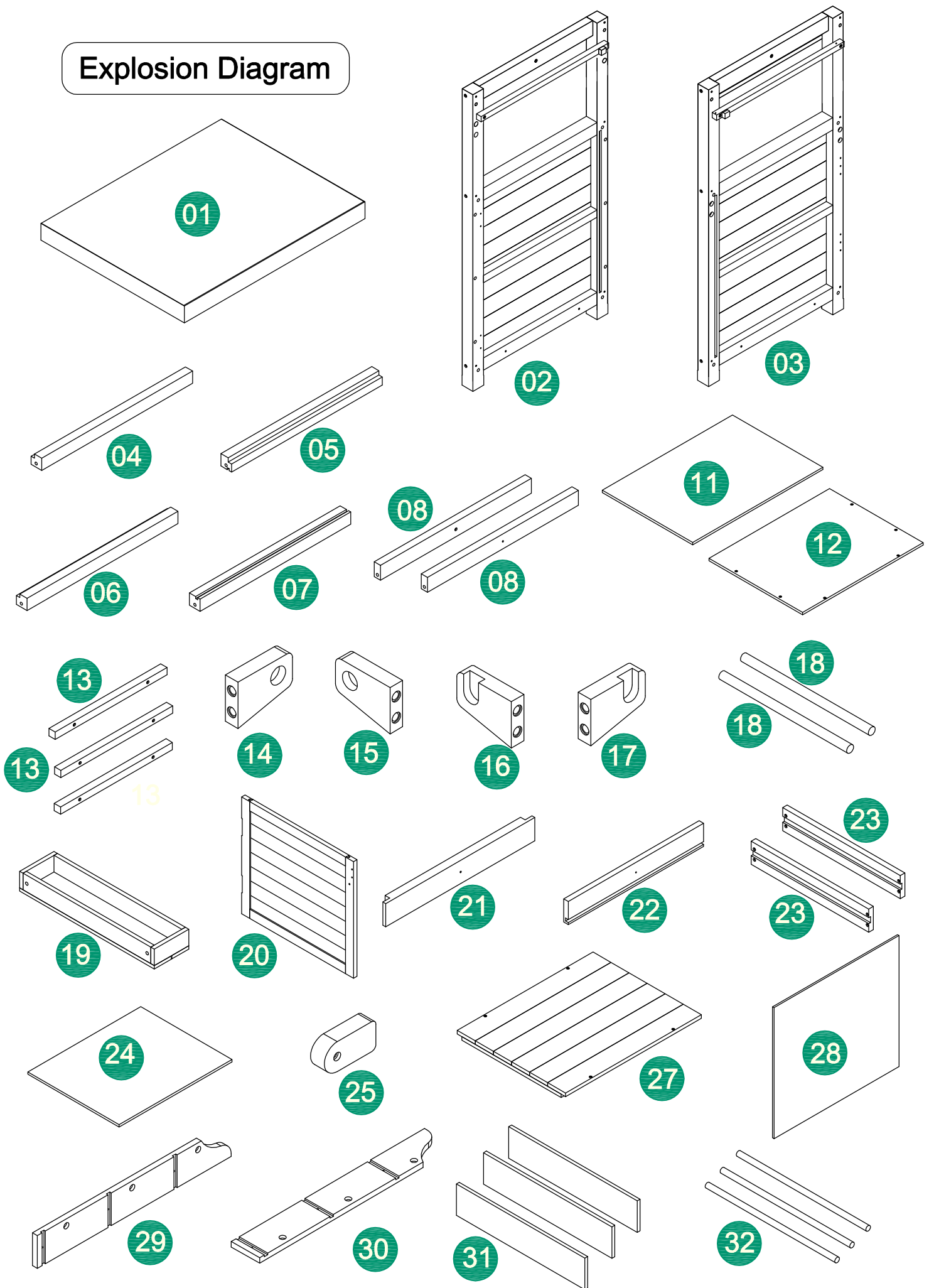
**Notice:**

- 1.Follow the installation instructions. Please confirm all accessories are preset before installation.
- 2.Do not fully tighten the screws during initial assembly.Fully tighten screws only once all pieces which are correctly assembled.
- 3.If you encounter any problems during installation, please contact our customer service.

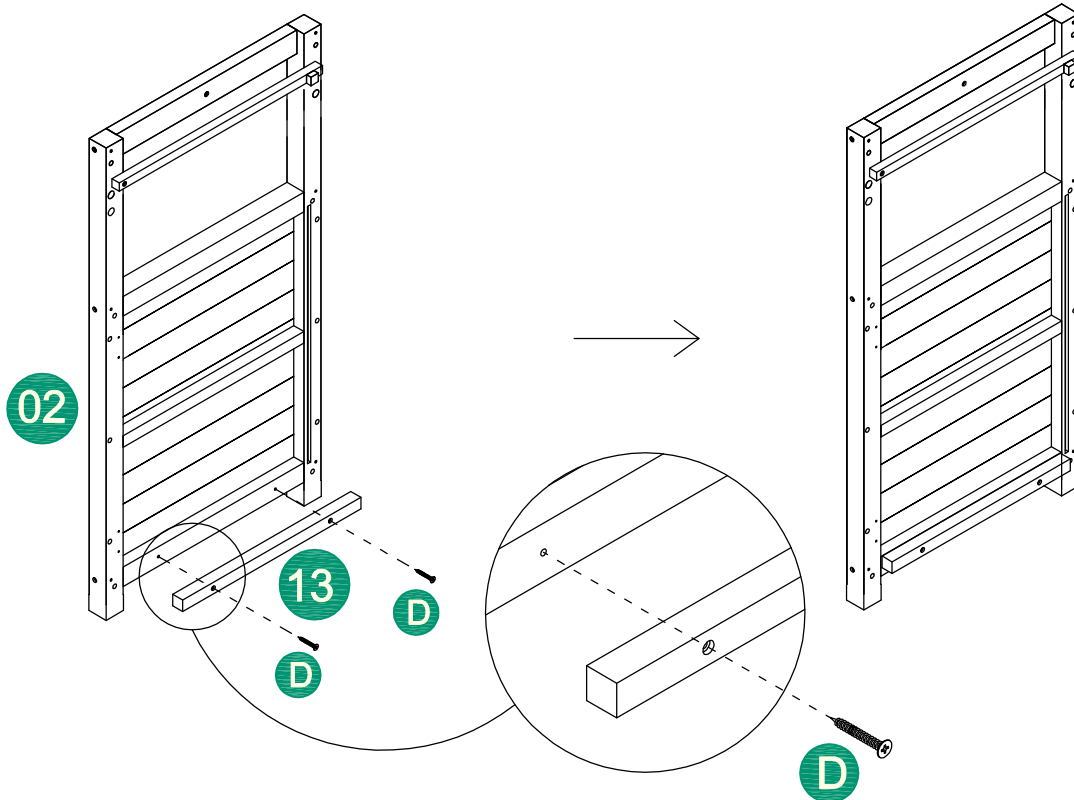
Item No	Reference Image	Qty	Item No	Reference Image	Qty
<b>A</b>	 <b>M3*14mm</b>	<b>X16+1</b>	<b>J</b>		<b>X2</b>
<b>B</b>	 <b>M4*25mm</b>	<b>X17+1</b>	<b>K</b>		<b>X2</b>
<b>C</b>	 <b>M4*30mm</b>	<b>X4</b>	<b>L</b>		<b>X2</b>
<b>D</b>	 <b>M4*35mm</b>	<b>X14+1</b>	<b>M</b>	 <b>Ø8*30mm</b>	<b>X16+1</b>
<b>E</b>	 <b>M4*60mm</b>	<b>X12+1</b>	<b>N</b>		<b>X1</b>
<b>F</b>	 <b>M3*18mm</b>	<b>X2</b>	<b>O</b>		<b>X1</b>
<b>G</b>	 <b>Ø8*30mm</b>	<b>X2</b>	<b>P</b>	 <b>Ø4*20mm</b>	<b>X2</b>
<b>H</b>	 <b>Ø8*50mm</b>	<b>X8</b>	<b>Q</b>		<b>X2</b>
<b>I</b>		<b>X1</b>	<b>R</b>	 <b>M4*50mm</b>	<b>X6</b>

01		X1	02		X1	03		X1
04		X1	05		X1	06		X1
07		X1	08		X2	11		X1
12		X1	13		X3	14		X1
15		X1	16		X1	17		X1
18		X2	19		X1	20		X1
21		X1	22		X1	23		X2
24		X1	25		X1	27		X1
28		X1	29		X1	30		X1
31		X3	32		X3			

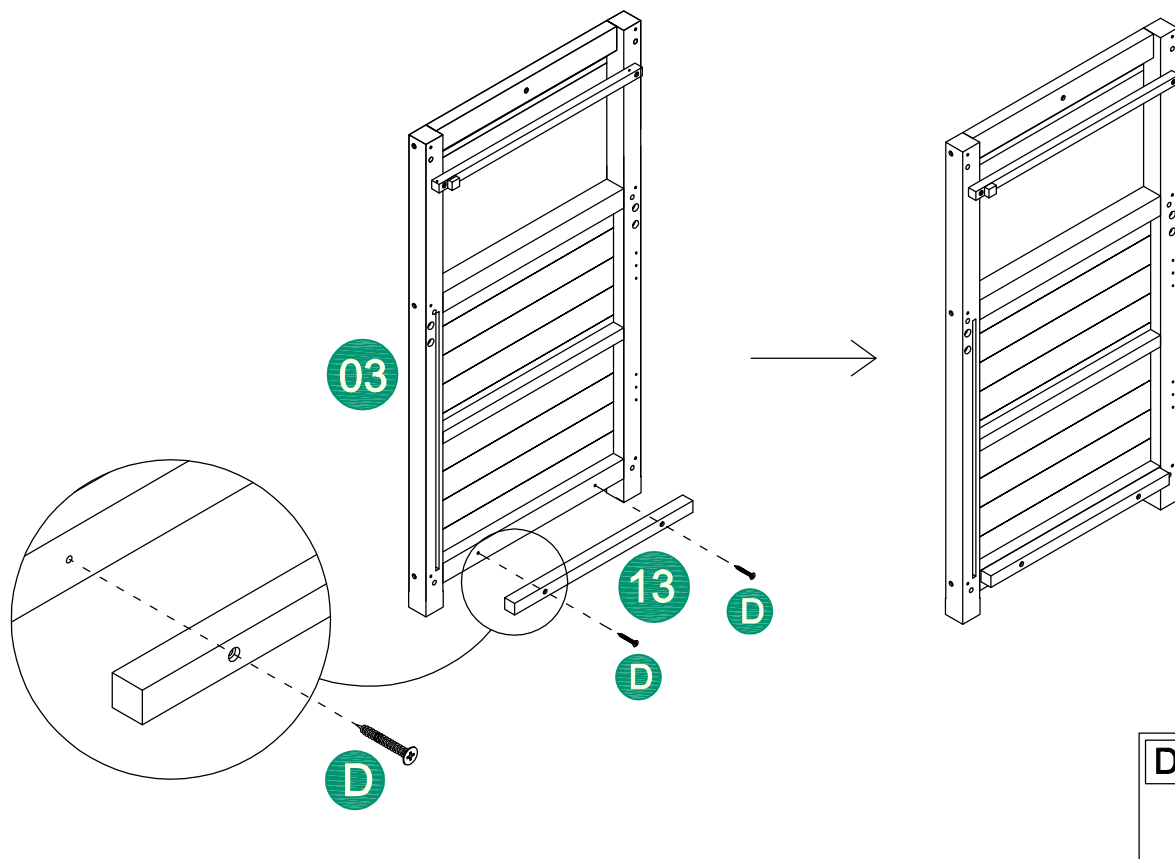
# Explosion Diagram



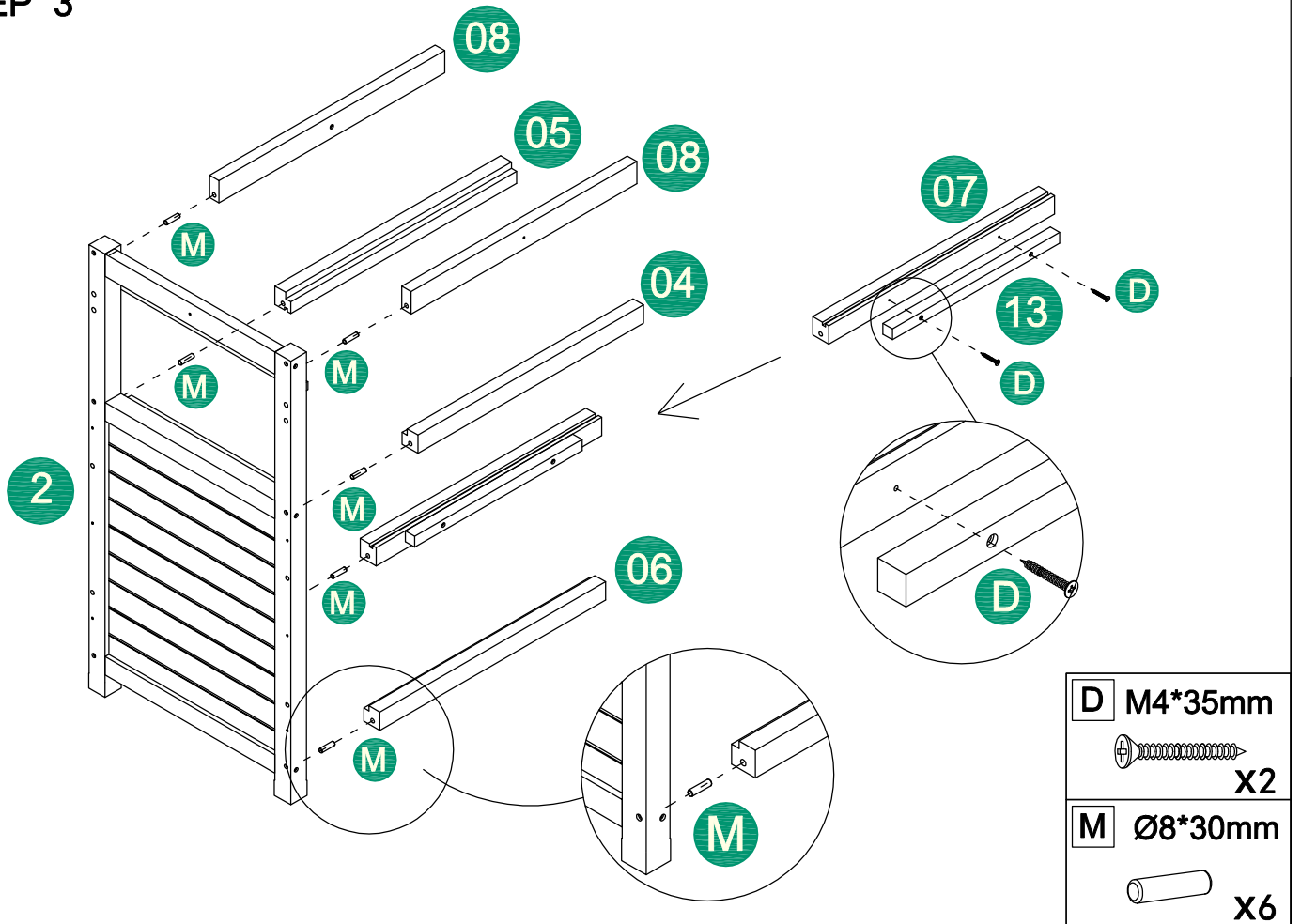
# STEP 1



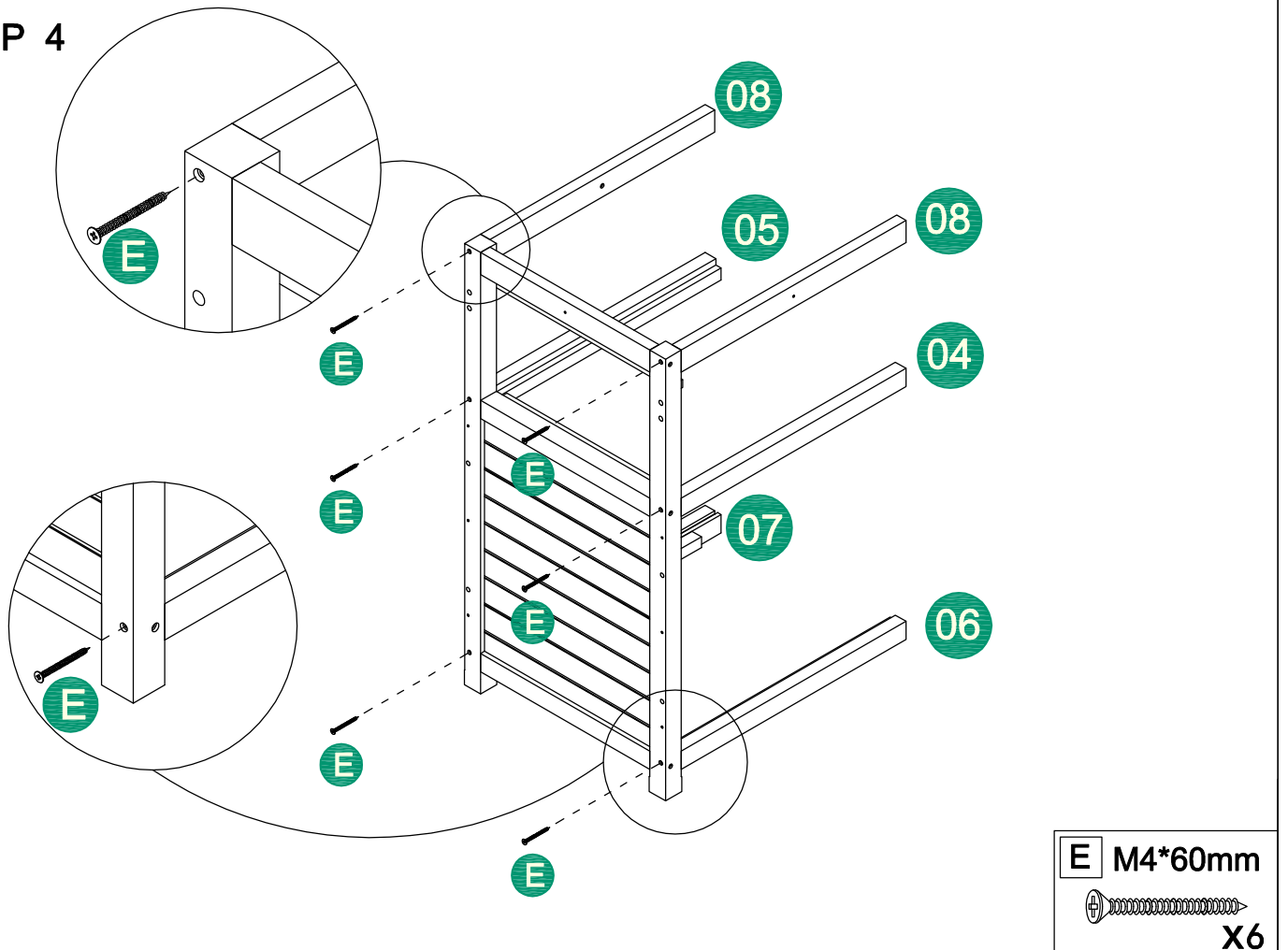
# STEP 2



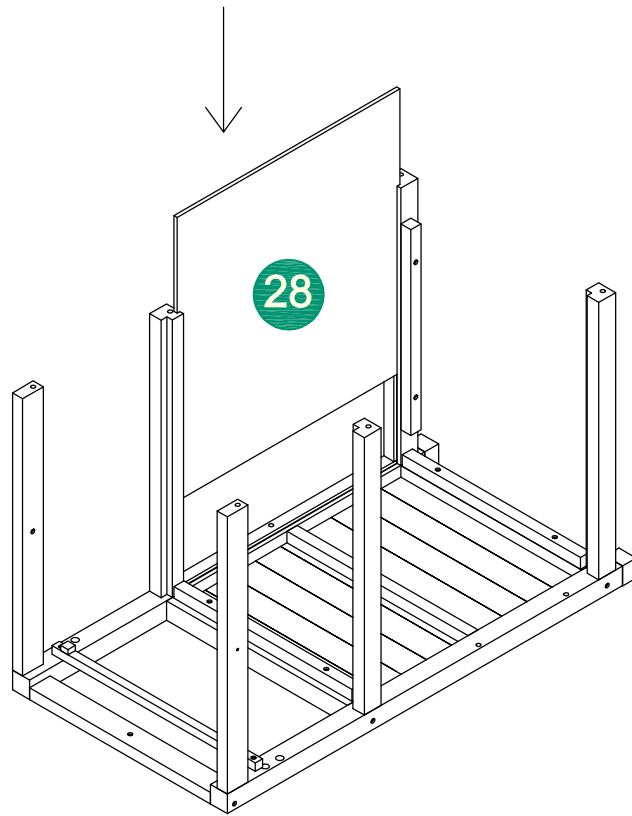
### STEP 3



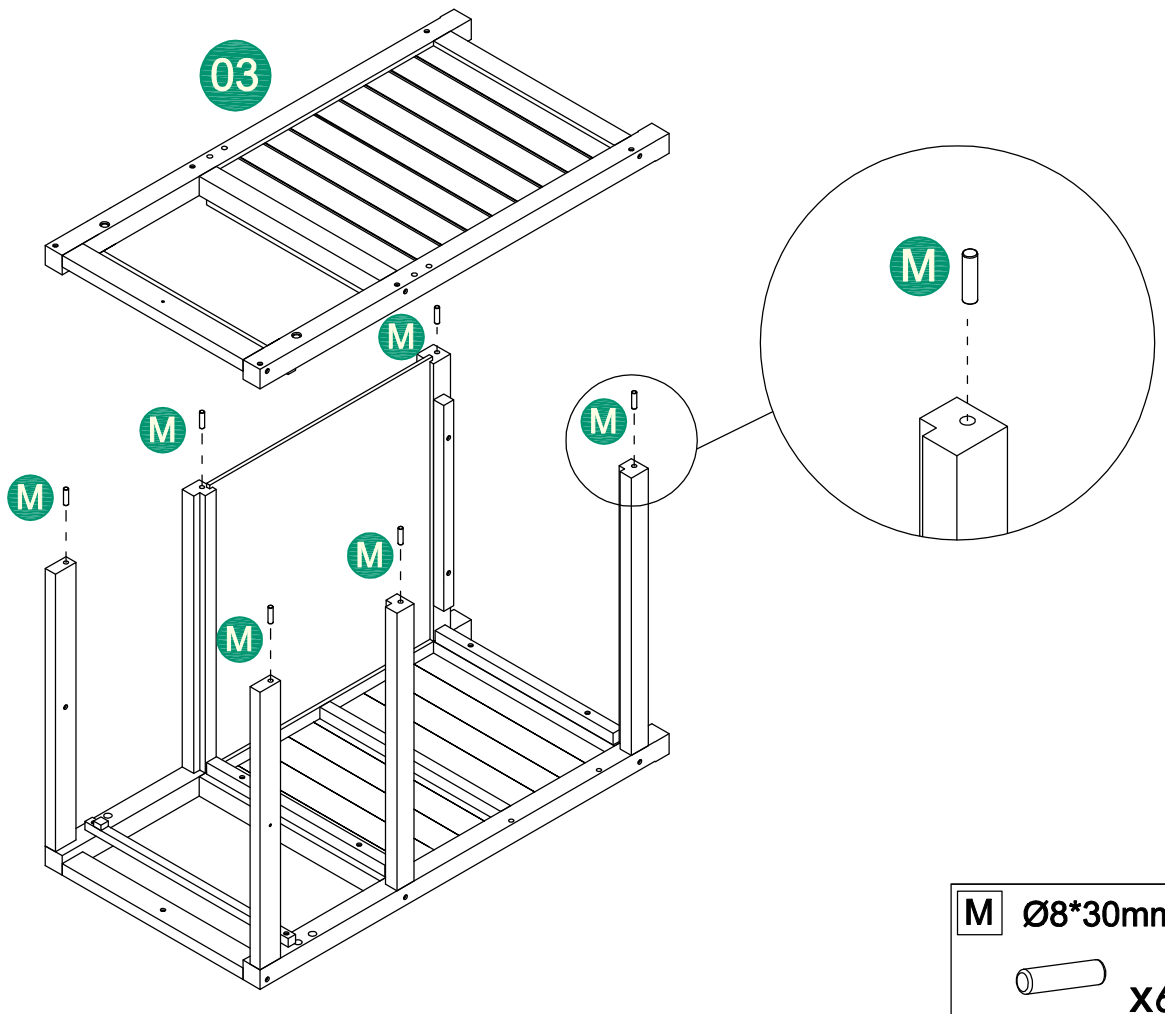
### STEP 4



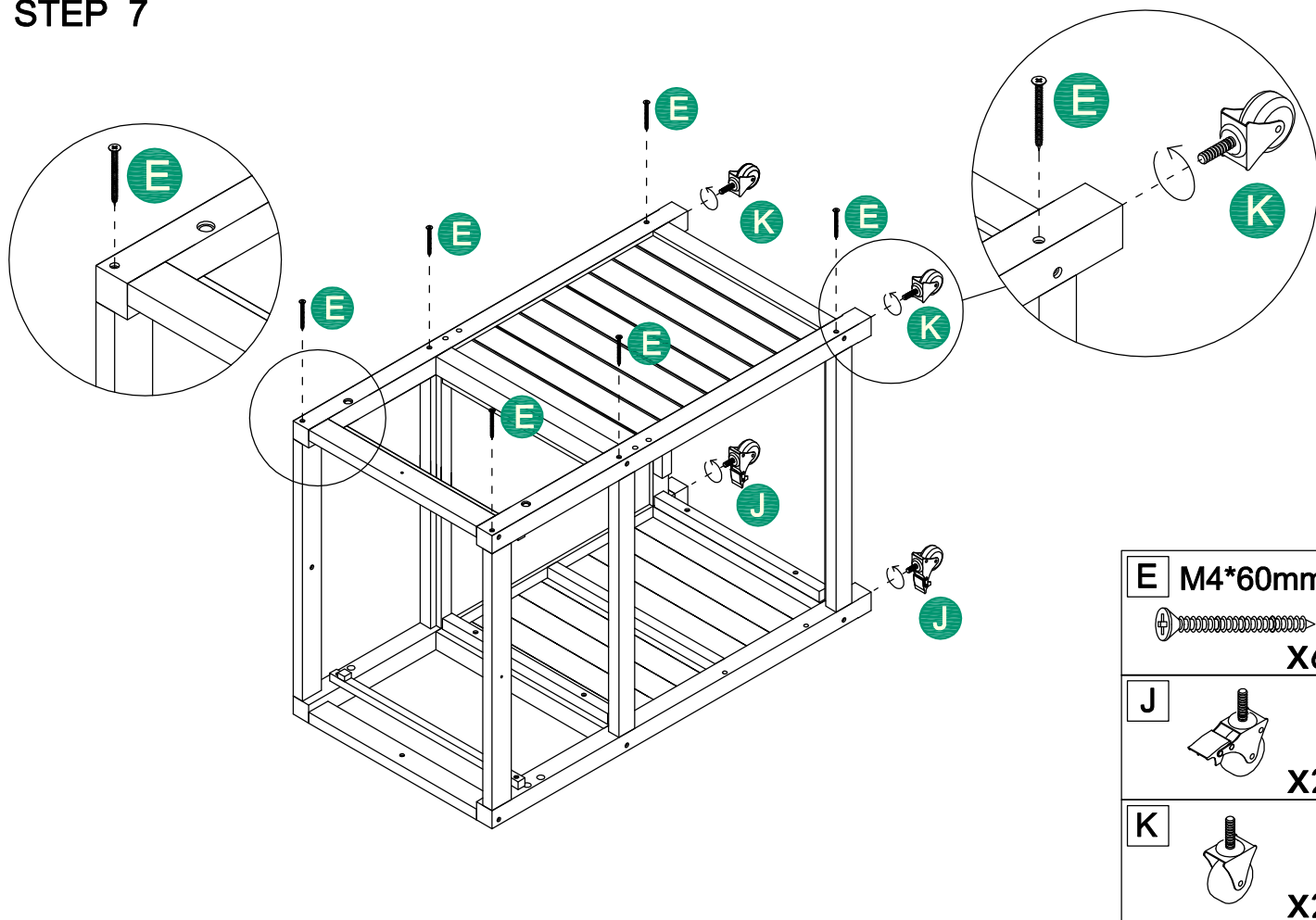
# STEP 5



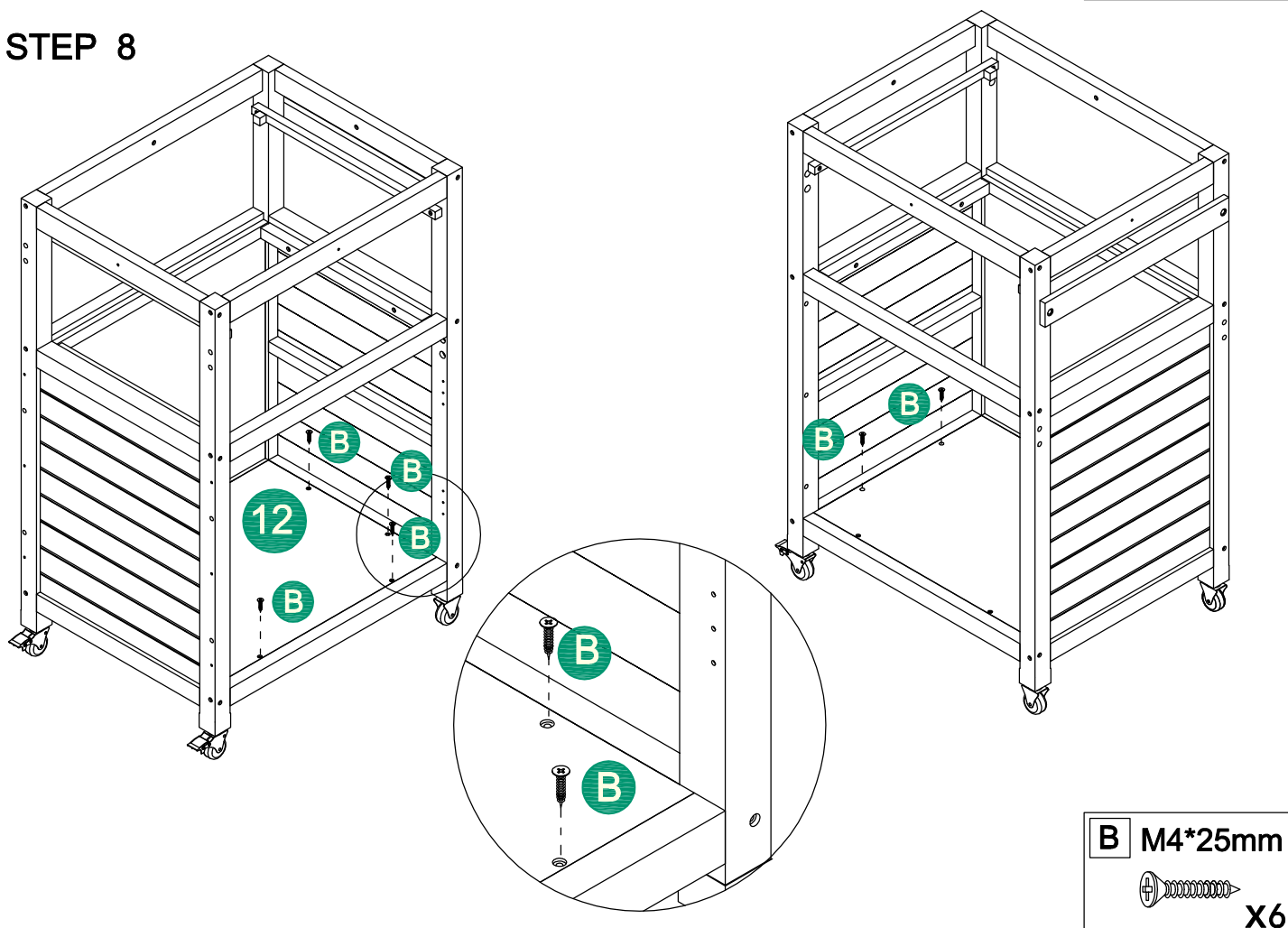
# STEP 6



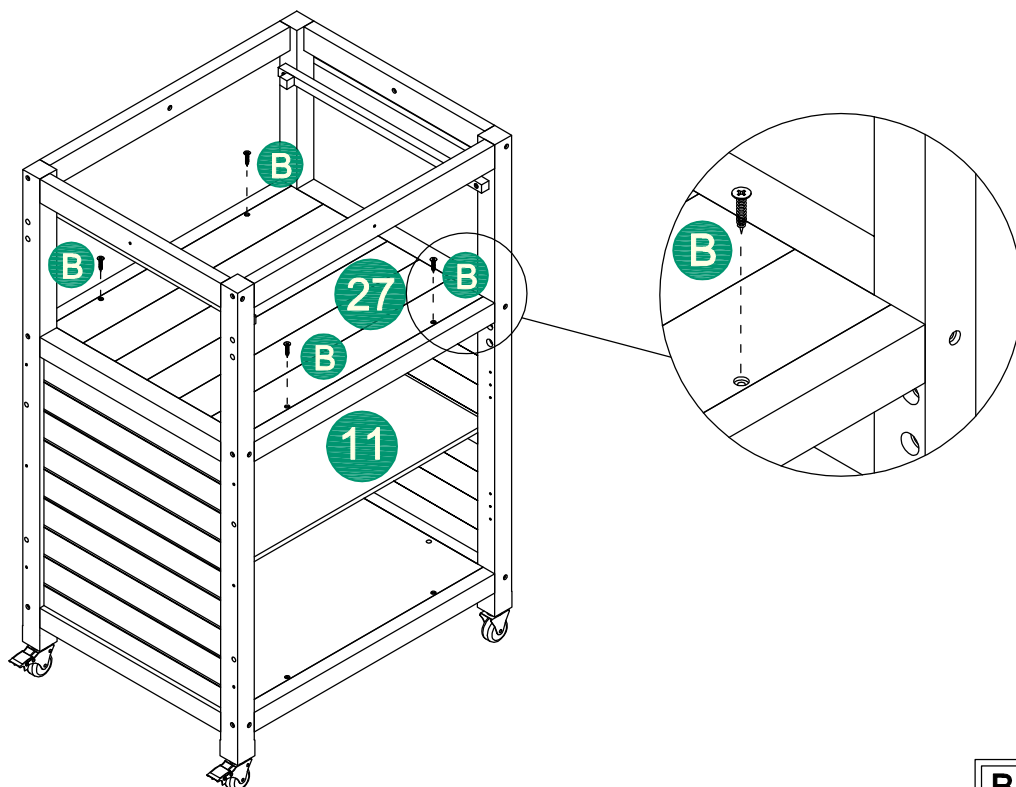
# STEP 7

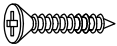


# STEP 8

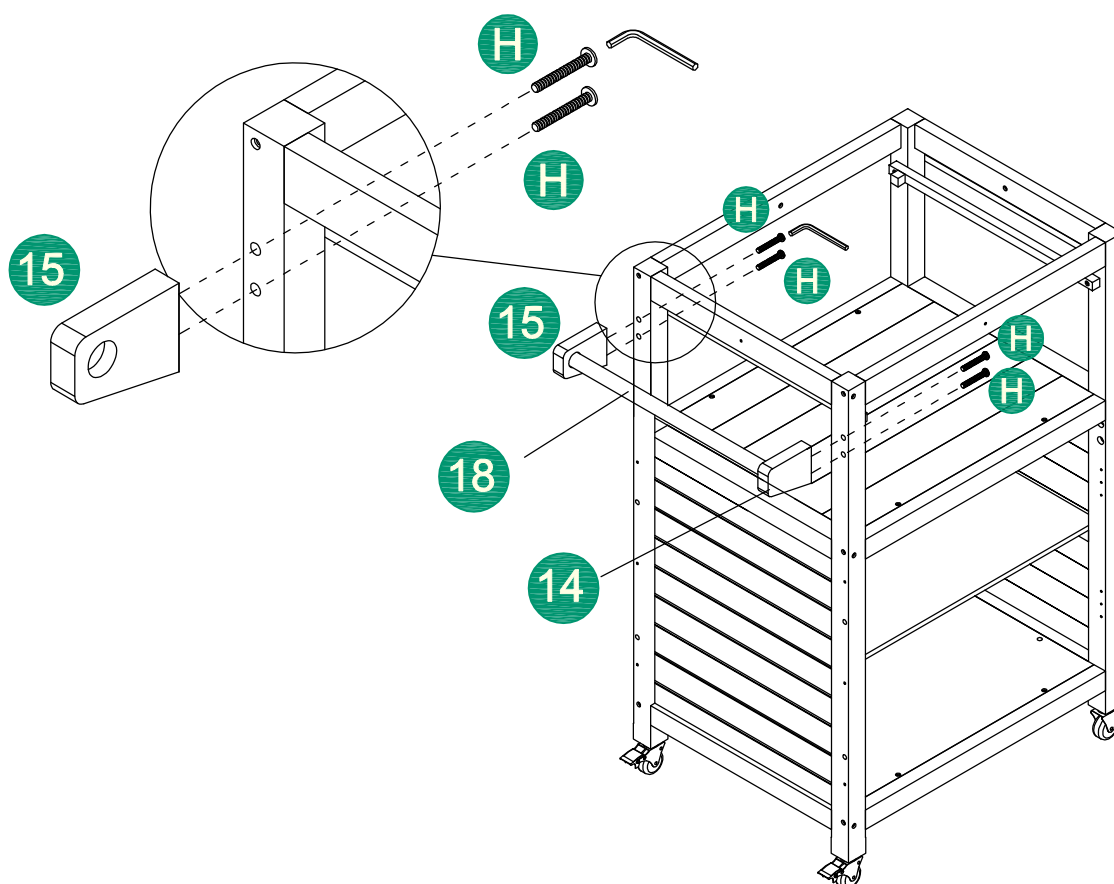



# STEP 9



**B** M4\*25mm  
  
X4

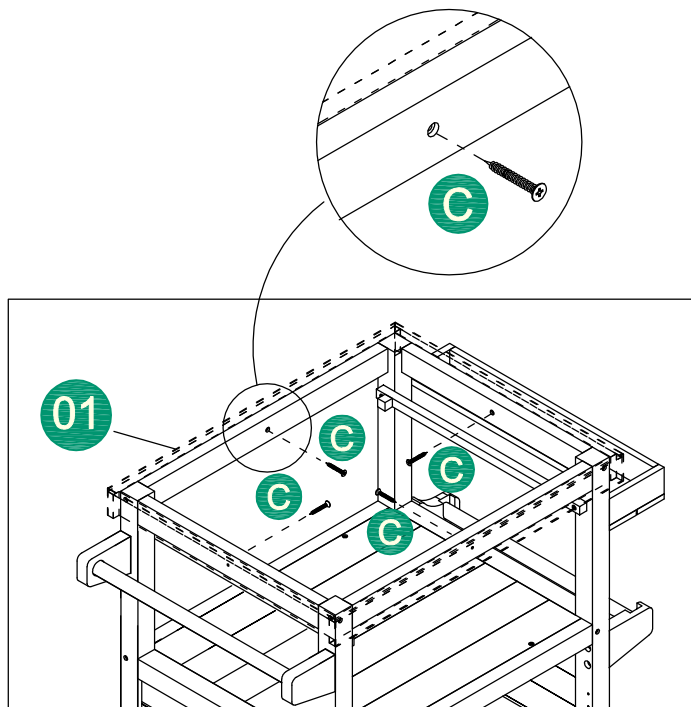
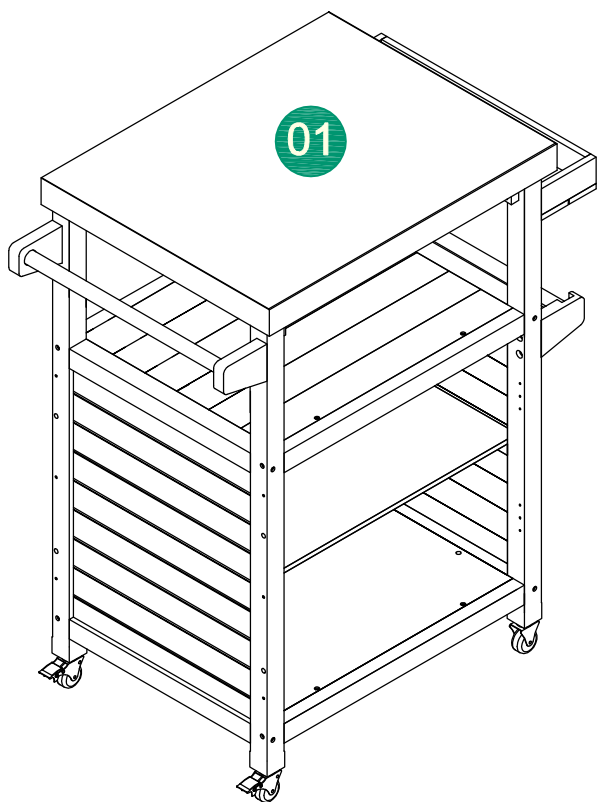
# STEP 10

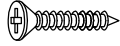


**H** Ø8\*50mm  
  
X4

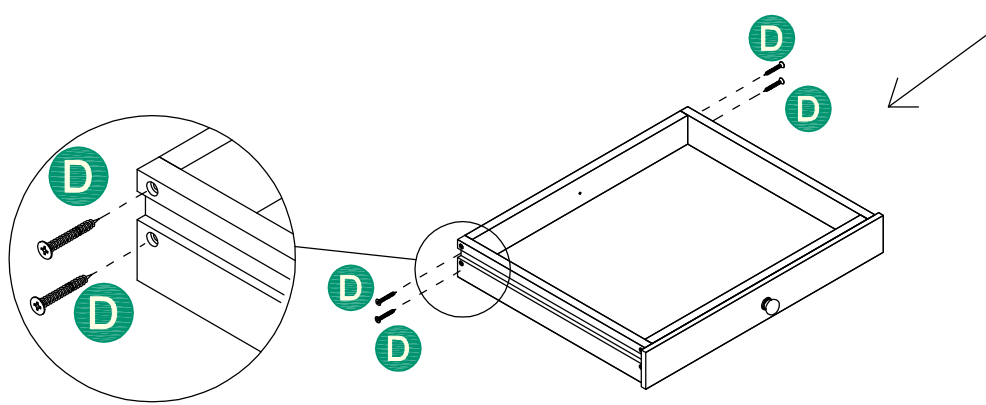
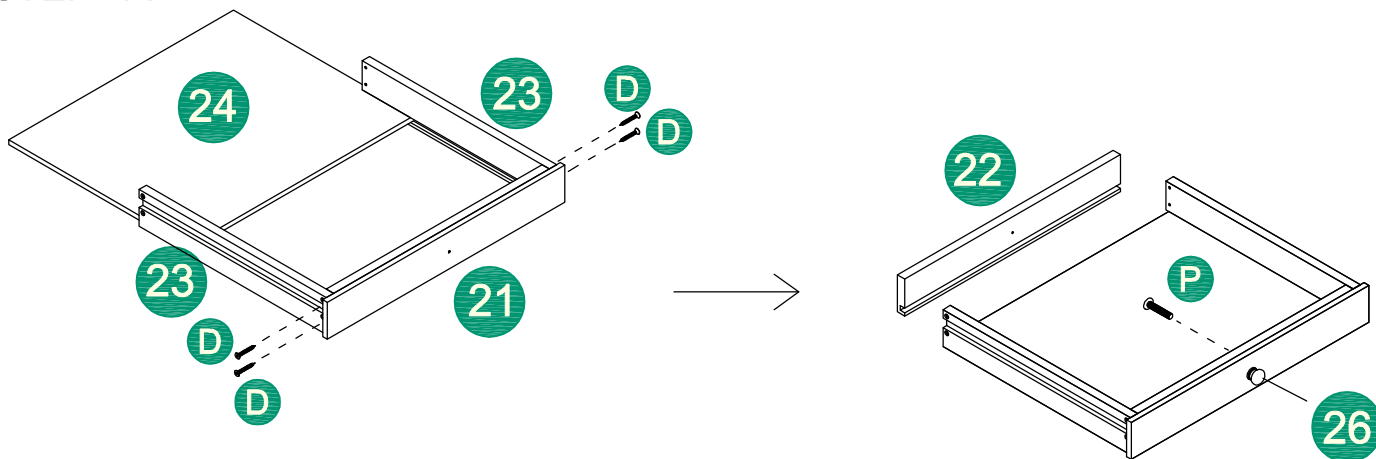


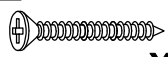
# STEP 13





**C** M4\*30mm  
  
**X4**

# STEP 14

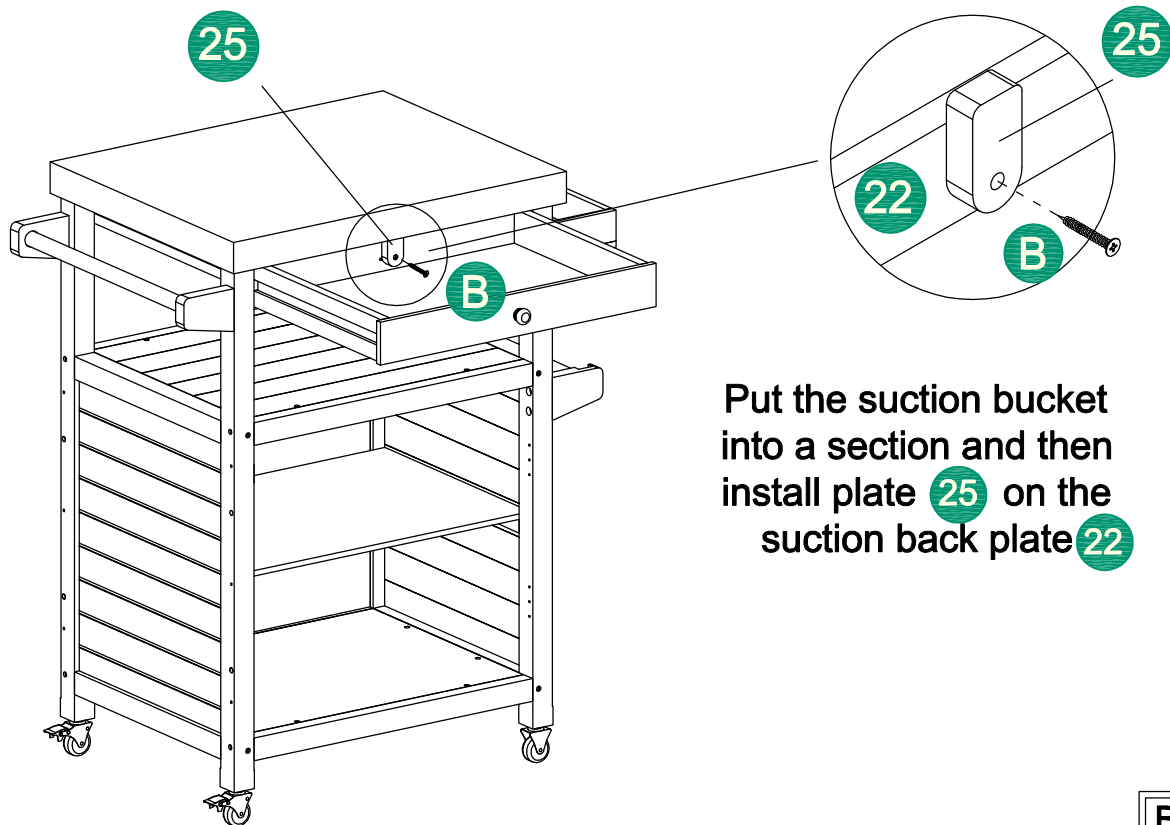


**D** M4\*35mm  
  
**X8**

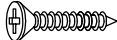
**P** Ø4\*20mm  
  
**X1**

**Q**  
  
**X1**

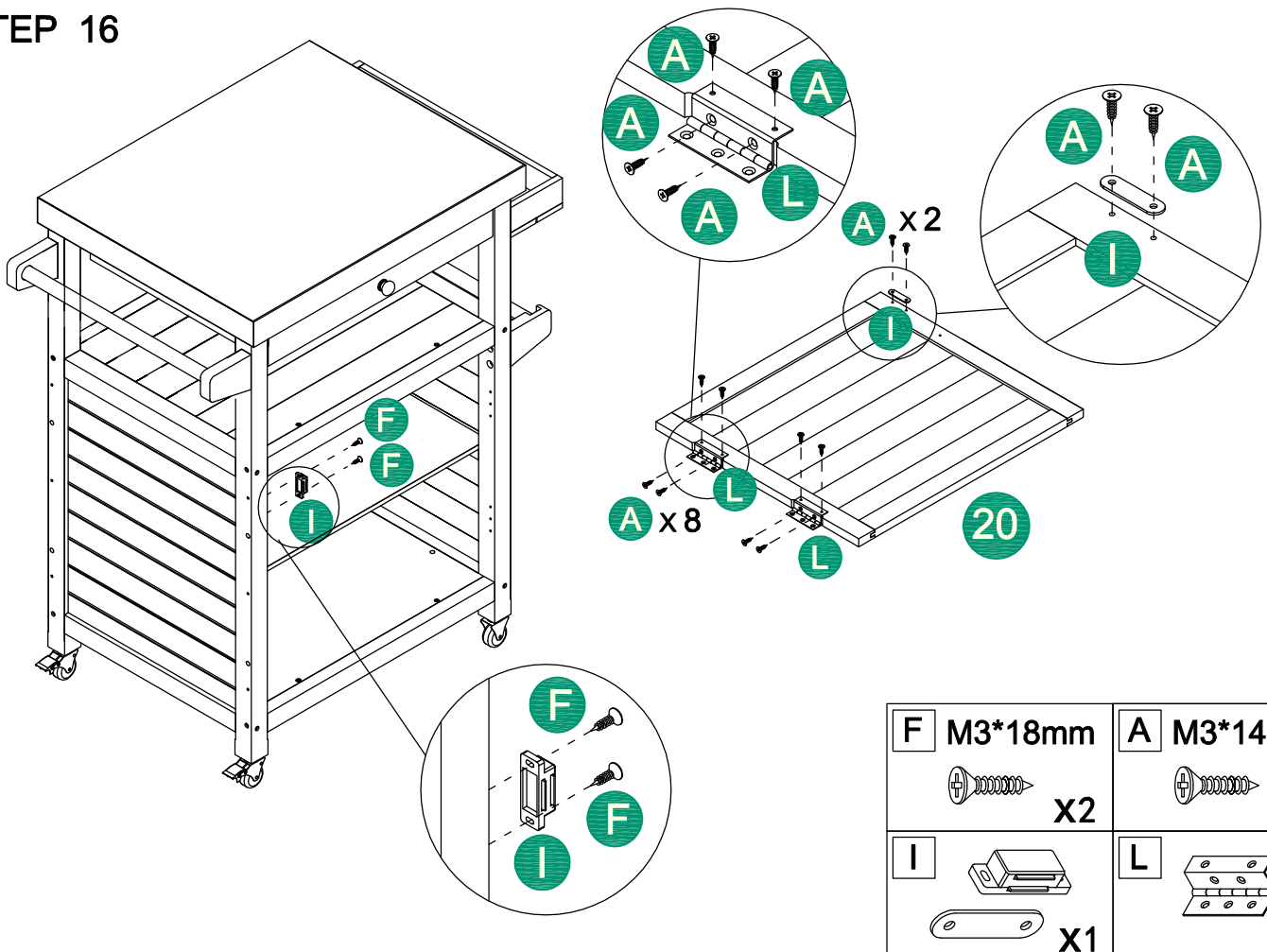
# STEP 15

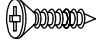
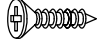
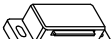
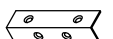


Put the suction bucket into a section and then install plate 25 on the suction back plate 22

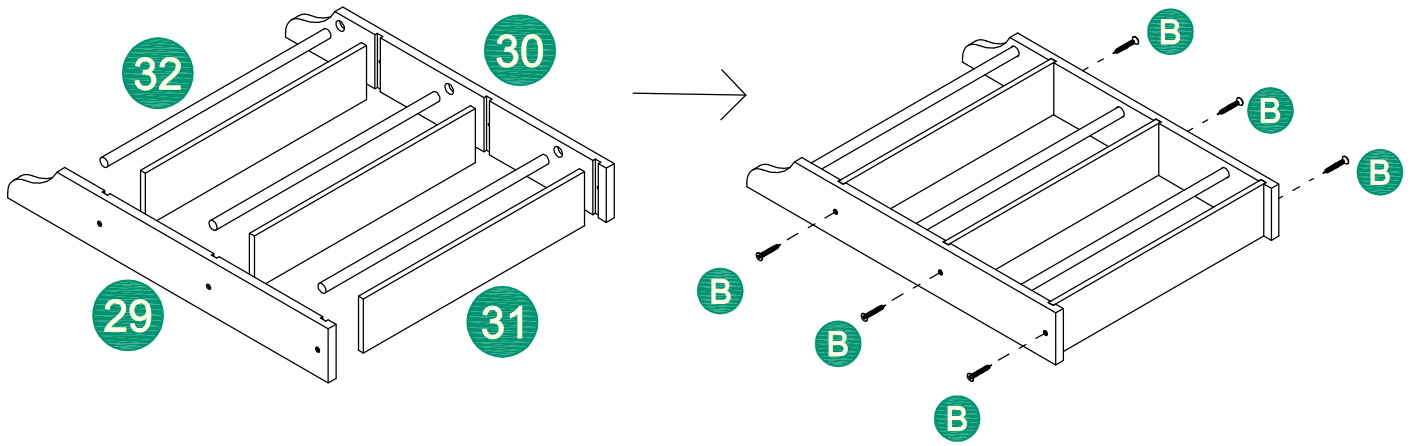
<b>B</b>	M4*25mm
	X1

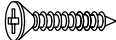
# STEP 16



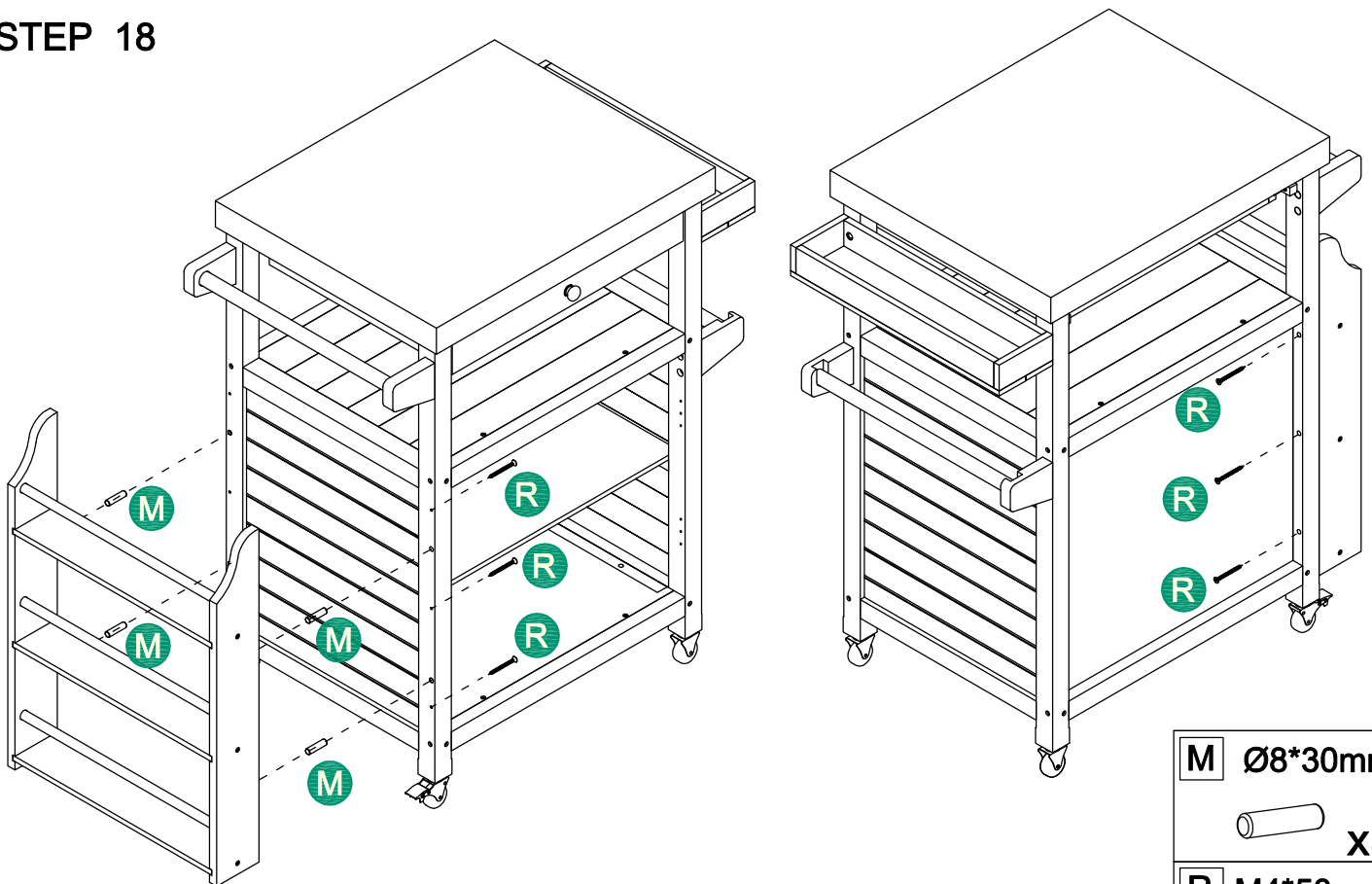
<b>F</b>	M3*18mm	<b>A</b>	M3*14mm
	X2		X10
<b>I</b>		<b>L</b>	
	X1		X2


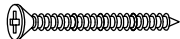
# STEP 17



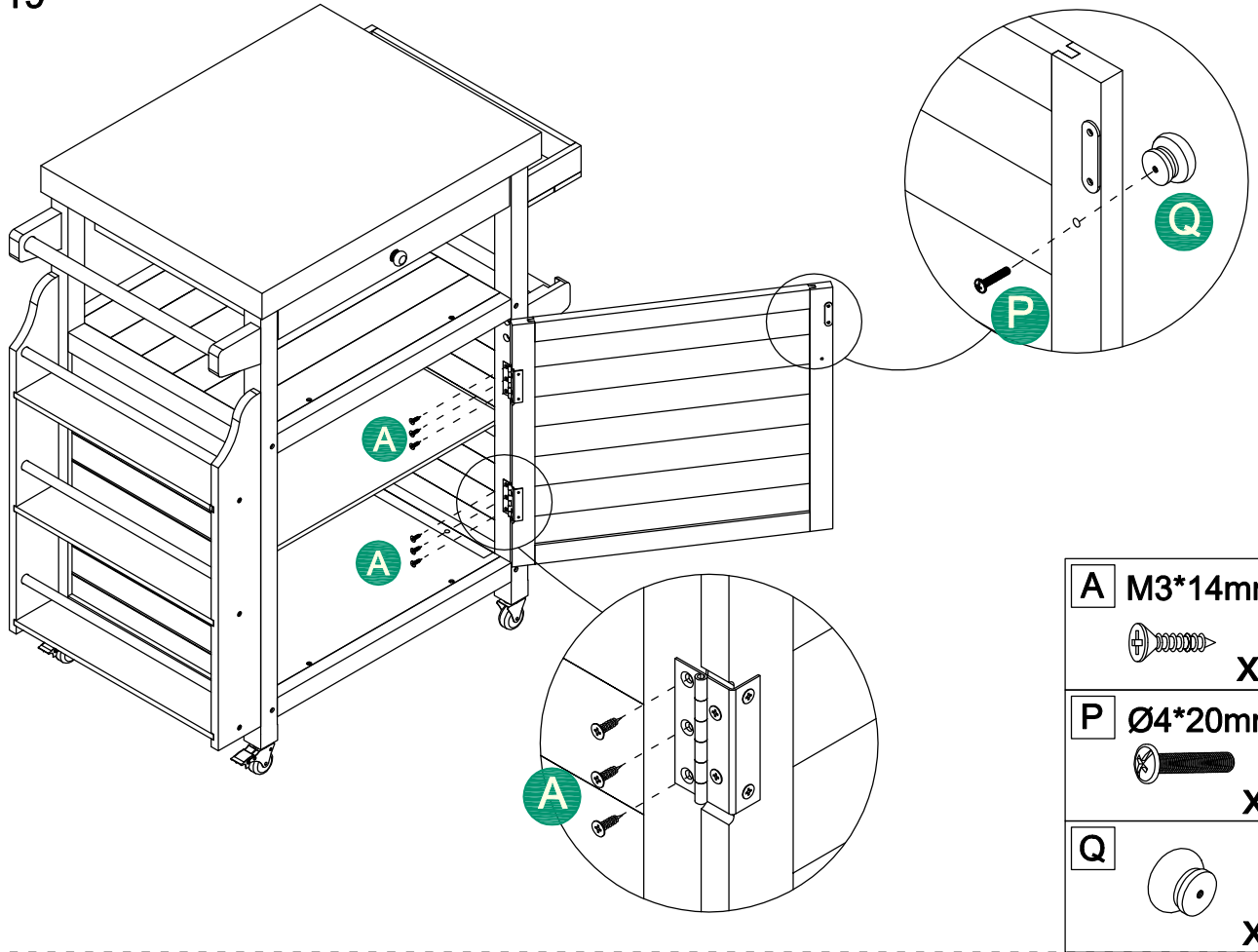
**B** M4\*25mm  
 X6

# STEP 18

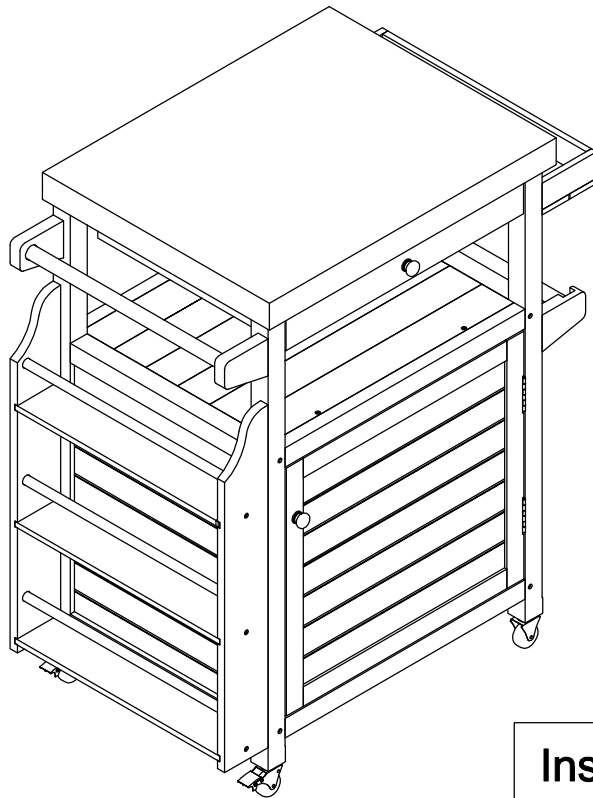


**M** Ø8\*30mm  
 X4  
**R** M4\*50mm  
 X6

## STEP 19



## STEP 20



Installation Completed