

# **INSTRUCTION MANUAL**

Thank you for shopping, we really appreciate your business. Our goal is to provide an excellent customer service before, during and after delivery. We've included a guide on how to install this light.

### **Before you get started:**

Ensure that the power supply remains within the specified range of AC100-240V, 50Hz/60Hz.

Avoid scratching the lamp's surface and wires during installation.

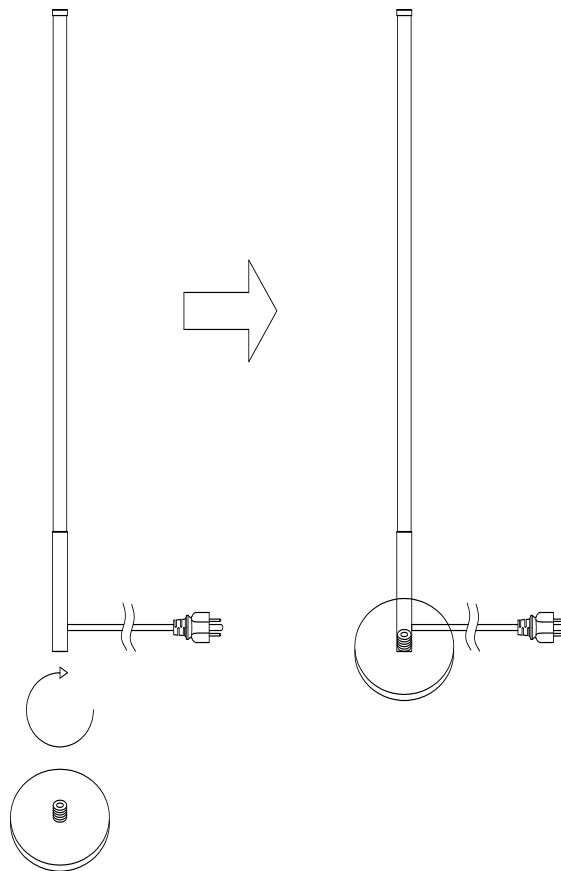
Do not install the lamp outdoors.

Keep the lamp away from corrosive chemicals or gases. It should not be washed with water but can be wiped clean with a soft cloth.

### **Assembly Inventory:**

*Please check the assembly inventory. If you find anything missing reach out to our customer service team*

- 1 x LED Lamp
- 1 x Lamp Base
- 1 x Remote Control



# Remote Control Instructions

1- Please Install two AAA batteries. Once you have installed the batteries, point the remote at the light fixture and press the "On" button the light will come on. The remote should connect automatically once the batteries are installed (If the remote does not connect see step 2)

2- To connect the remote to the lamp, it must be done within the first 3 seconds after you power the fixture on, press the "on" button until the fixture flashes.

3- Once the light is on, use the "+" and "-" buttons on the remote to adjust the brightness. Pressing "+" will increase the brightness, while "-" will decrease it.

4- Once the light is on, use the "k+" and "k-" buttons on the remote to adjust the color temperature. Pressing "k+" will increase the temperature while "k-" will decrease it. Increasing the temperature will make the emitting color cold and decreasing the temperature will make the emitting color warm.

## Helpful information:

**1- ON: Turns the light on/ Connects to lamp/ Clears code**

**2- Off: Turns the light off**

**3- Wheel buttons: Adjusts temperature and brightness**

**4- 30%: 30% brightness**

**5- 80%: 80% brightness**

**6- Moon Button: 10% brightness**

**7- C: Cold White**

**8- W: Warm light**

