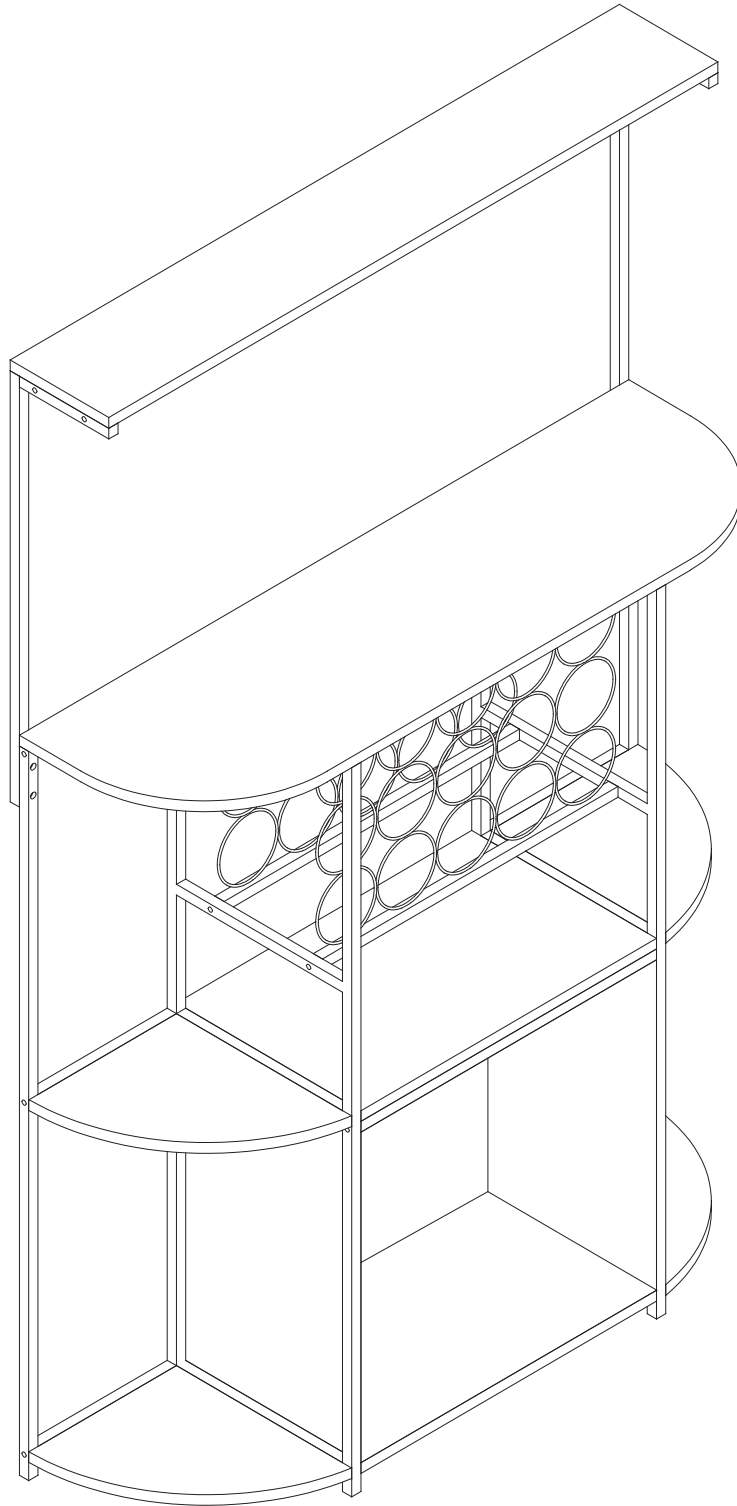
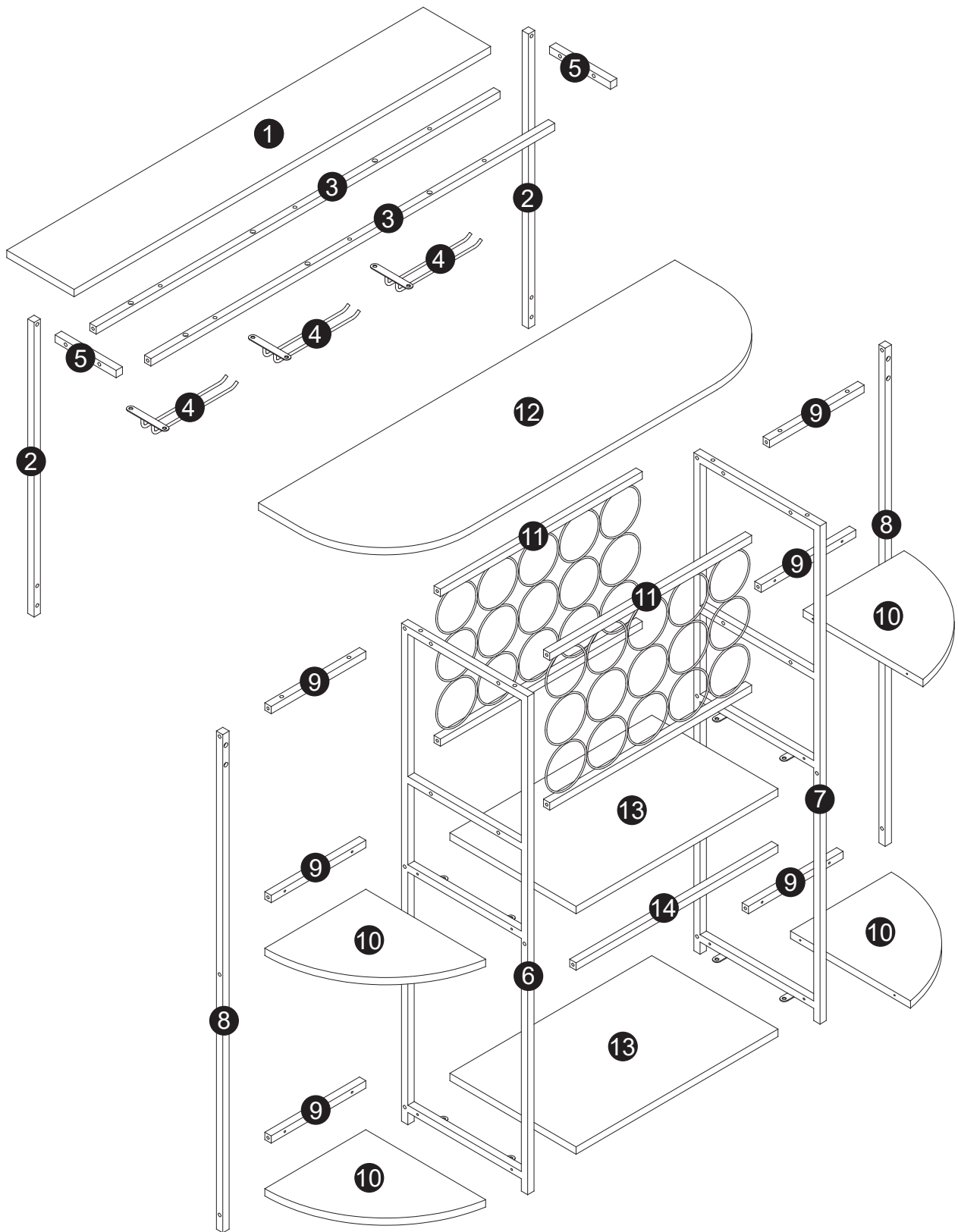


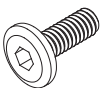
ASSEMBLY INSTRUCTIONS



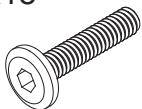
Parts list



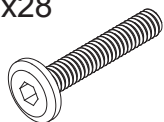
Ax14



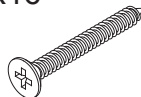
Bx18



Cx28



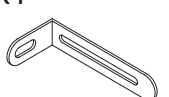
Dx16



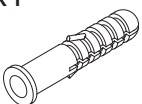
Ex1



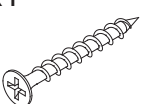
Fx1



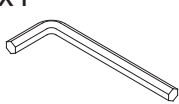
Gx1



Hx1



Ix1



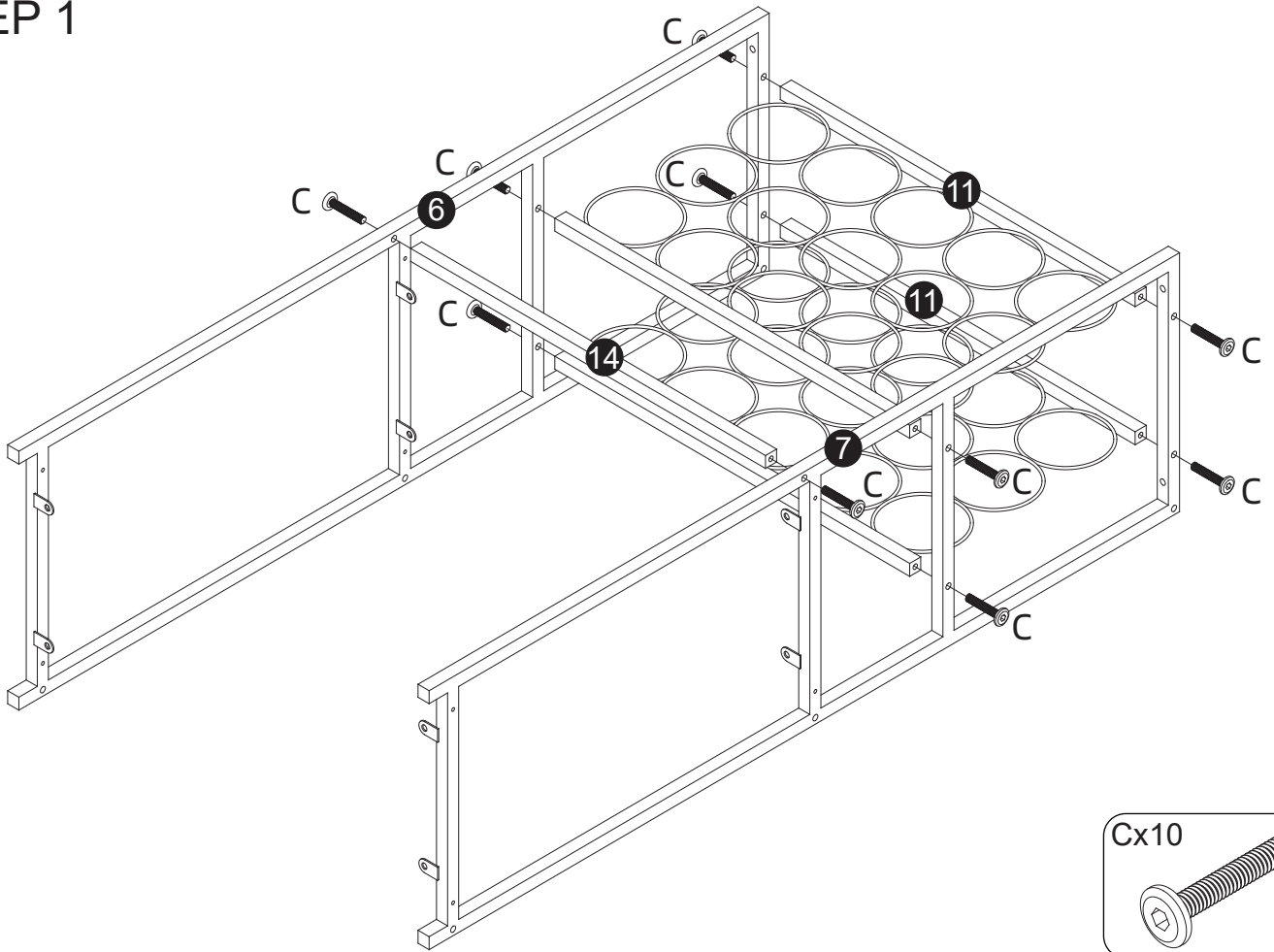
Jx6



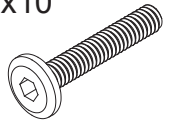
M3x14mm

Installation steps

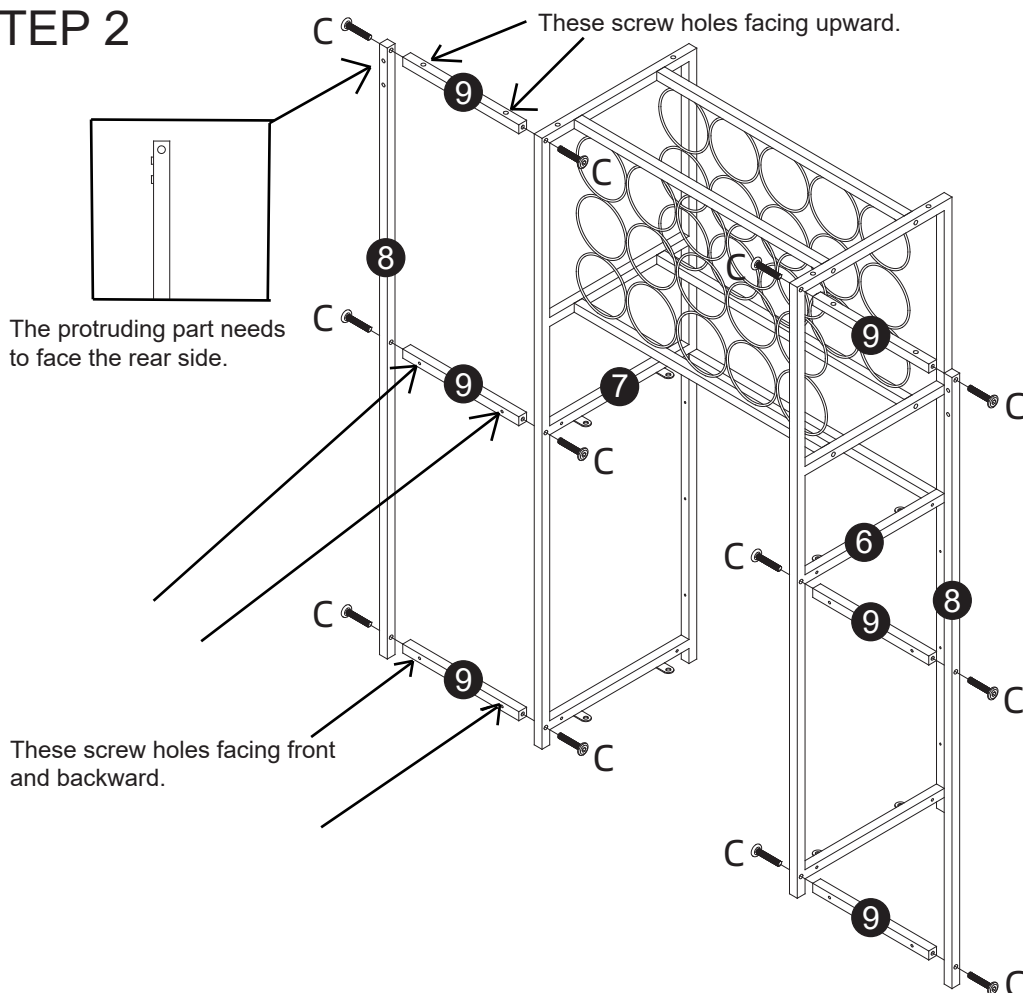
STEP 1



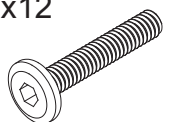
Cx10



STEP 2

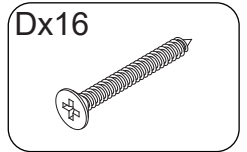
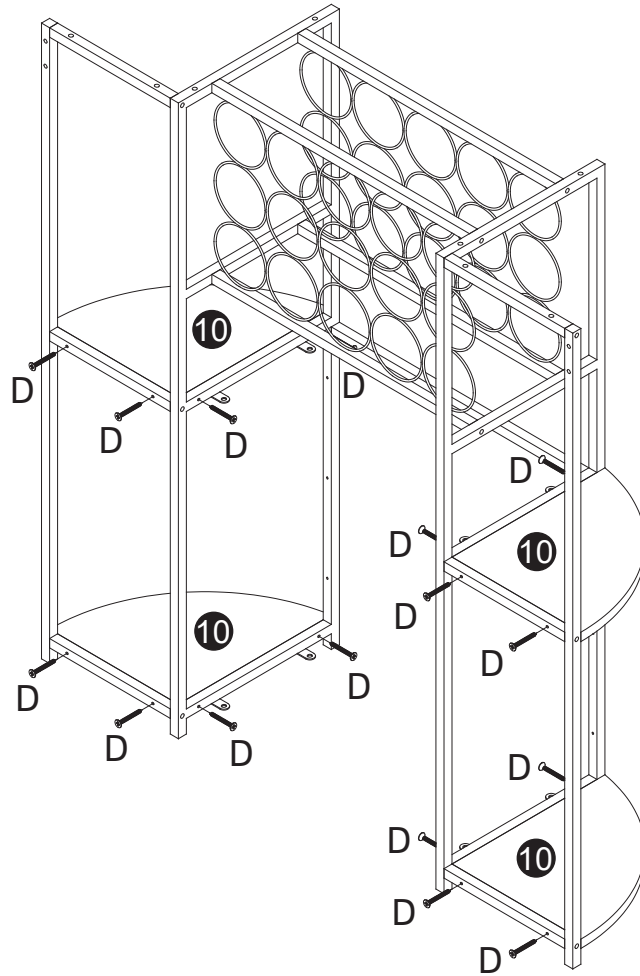


Cx12



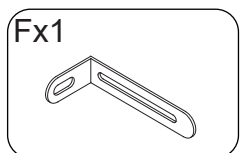
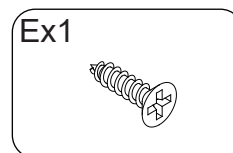
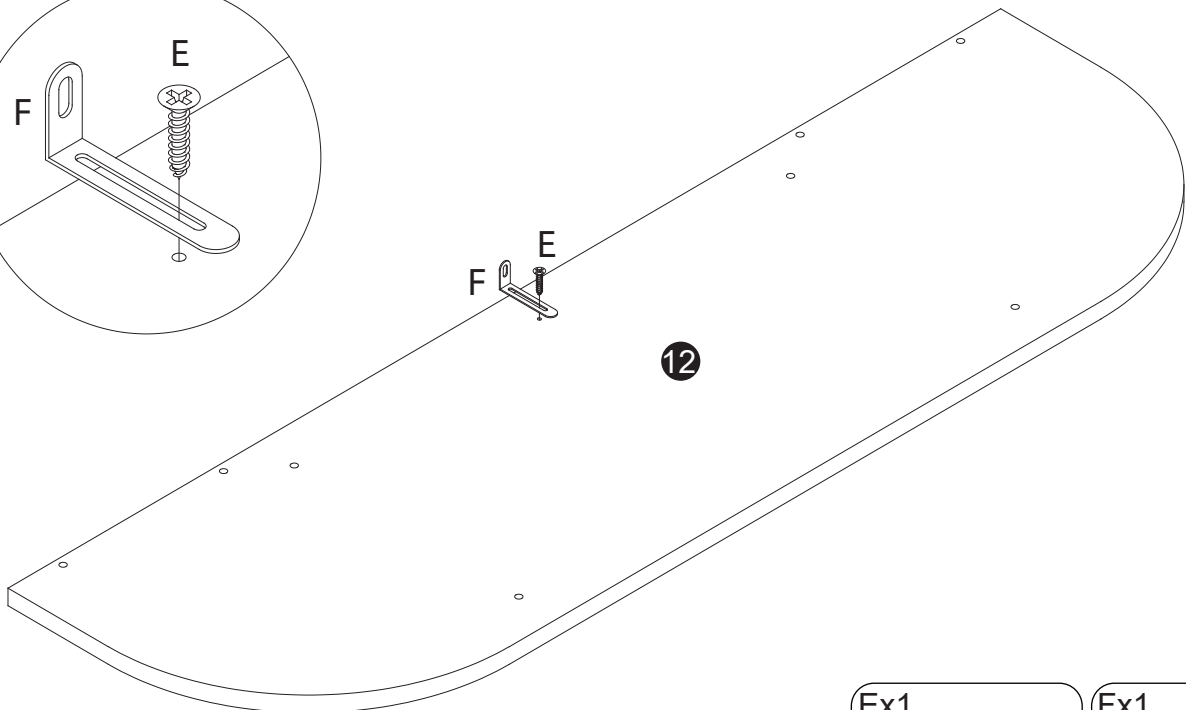
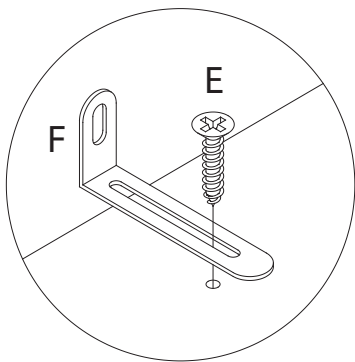
Installation steps

STEP 3



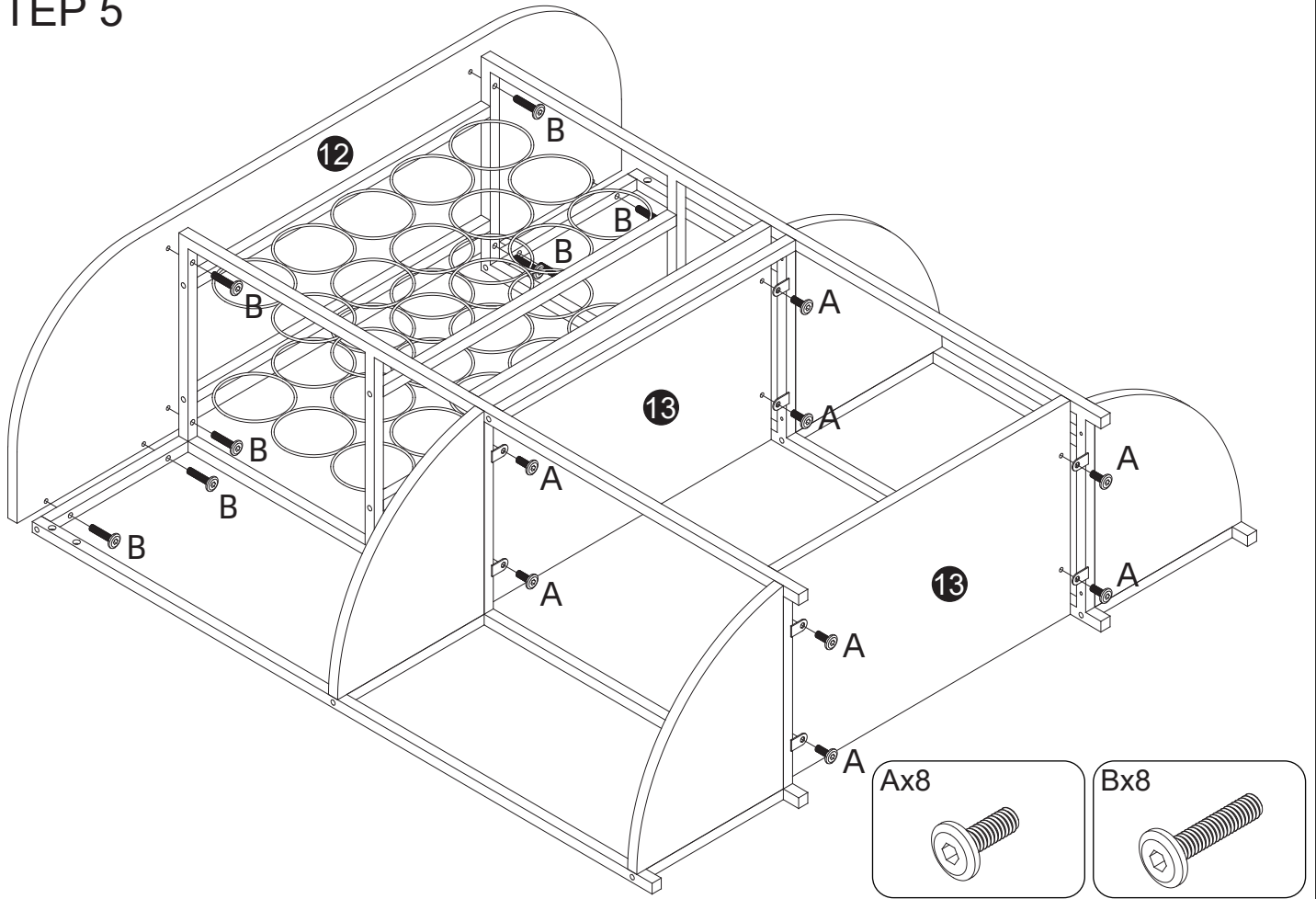
STEP 4

F is anti-tip parts, which is optional installation parts

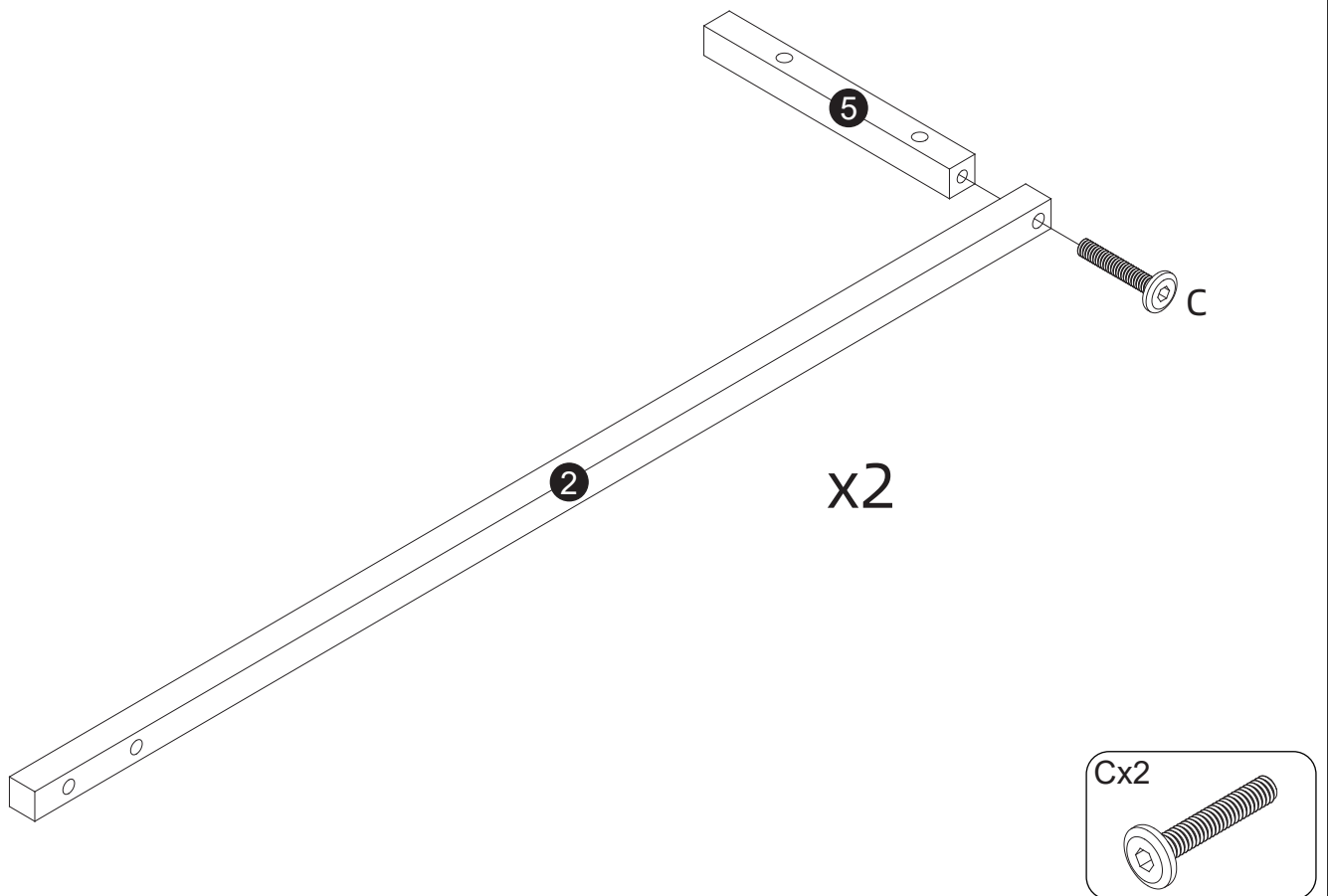


Installation steps

STEP 5

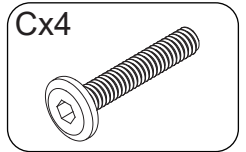
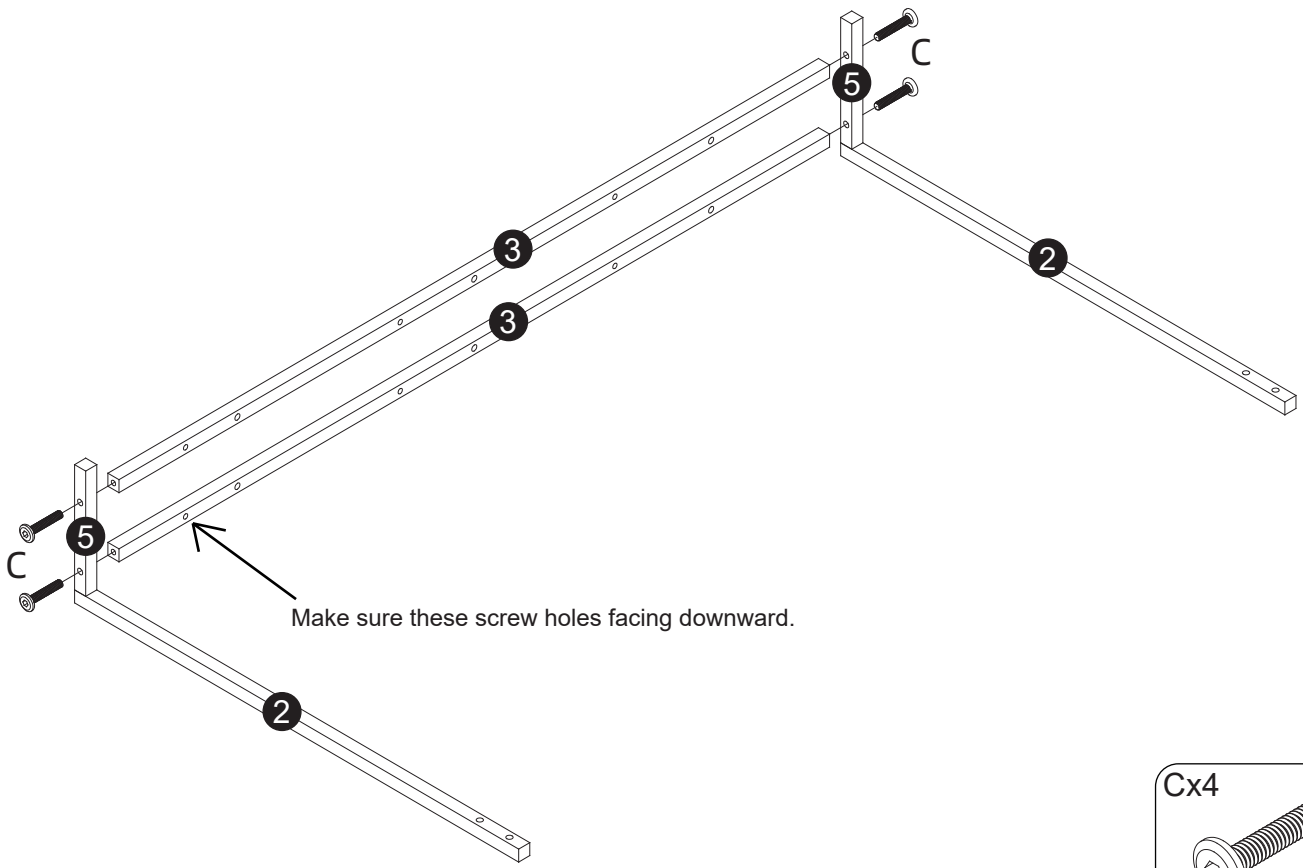


STEP 6

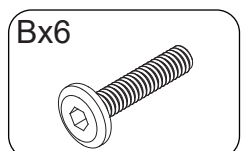
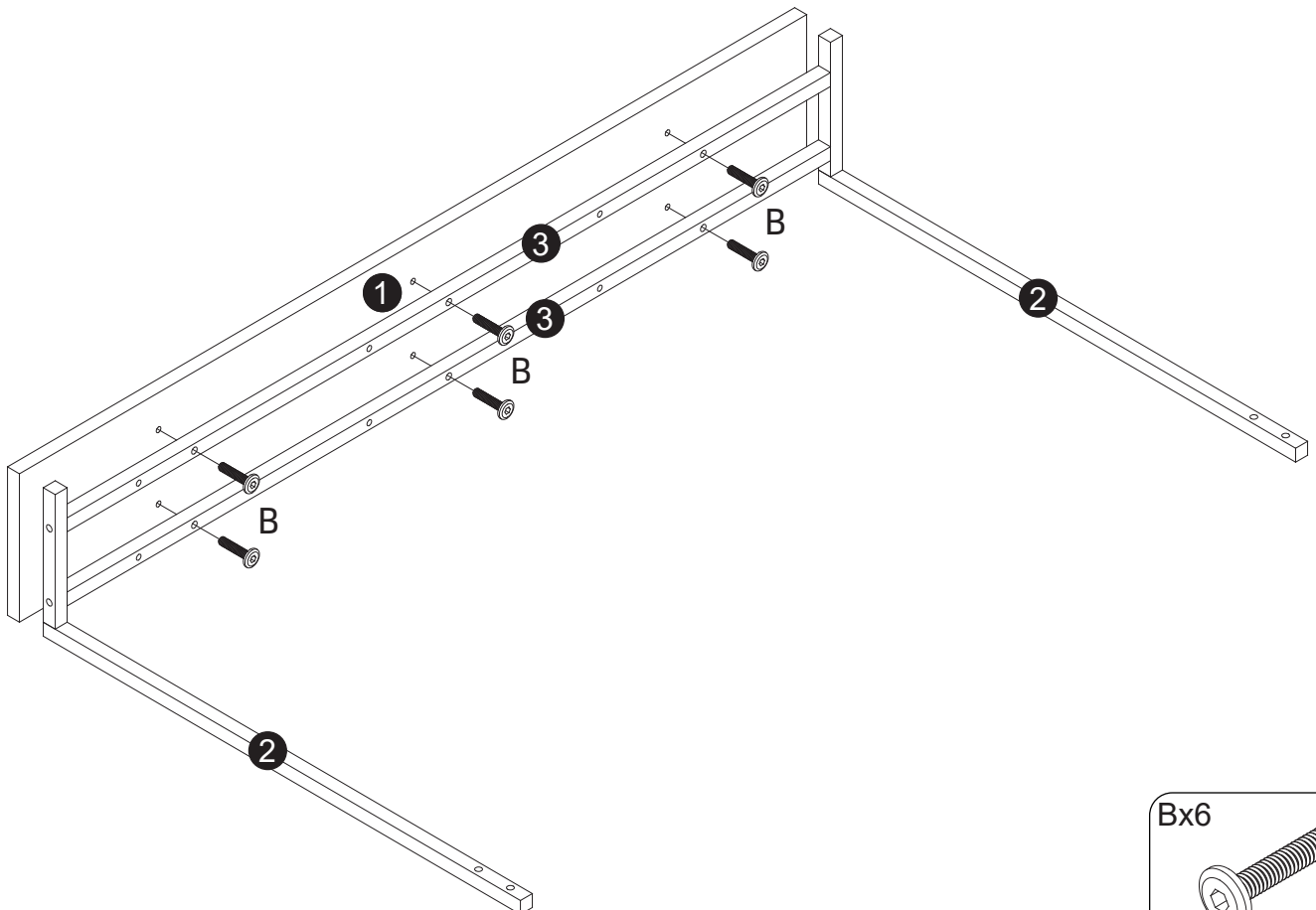


Installation steps

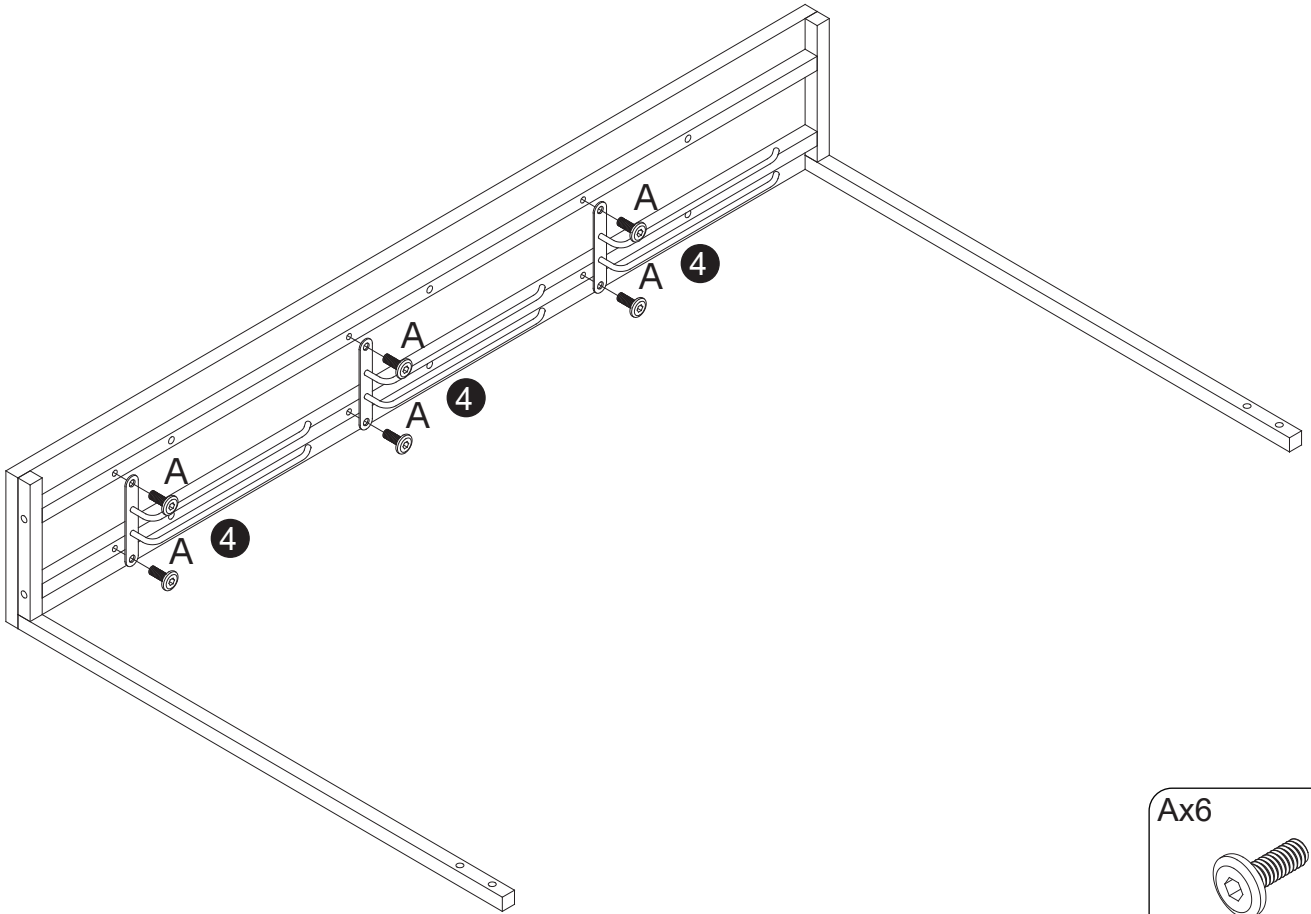
STEP 7



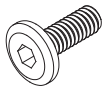
STEP 8



STEP 9

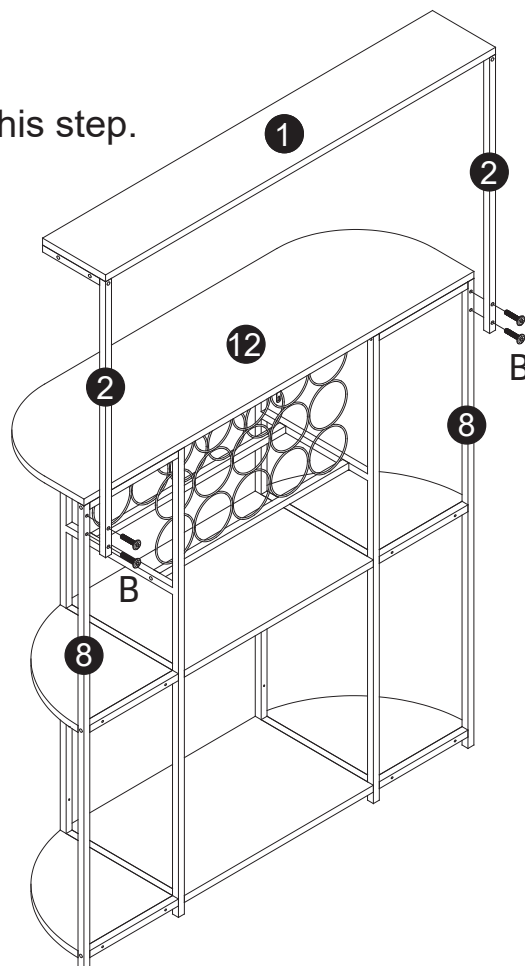


Ax6

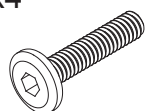


STEP 10

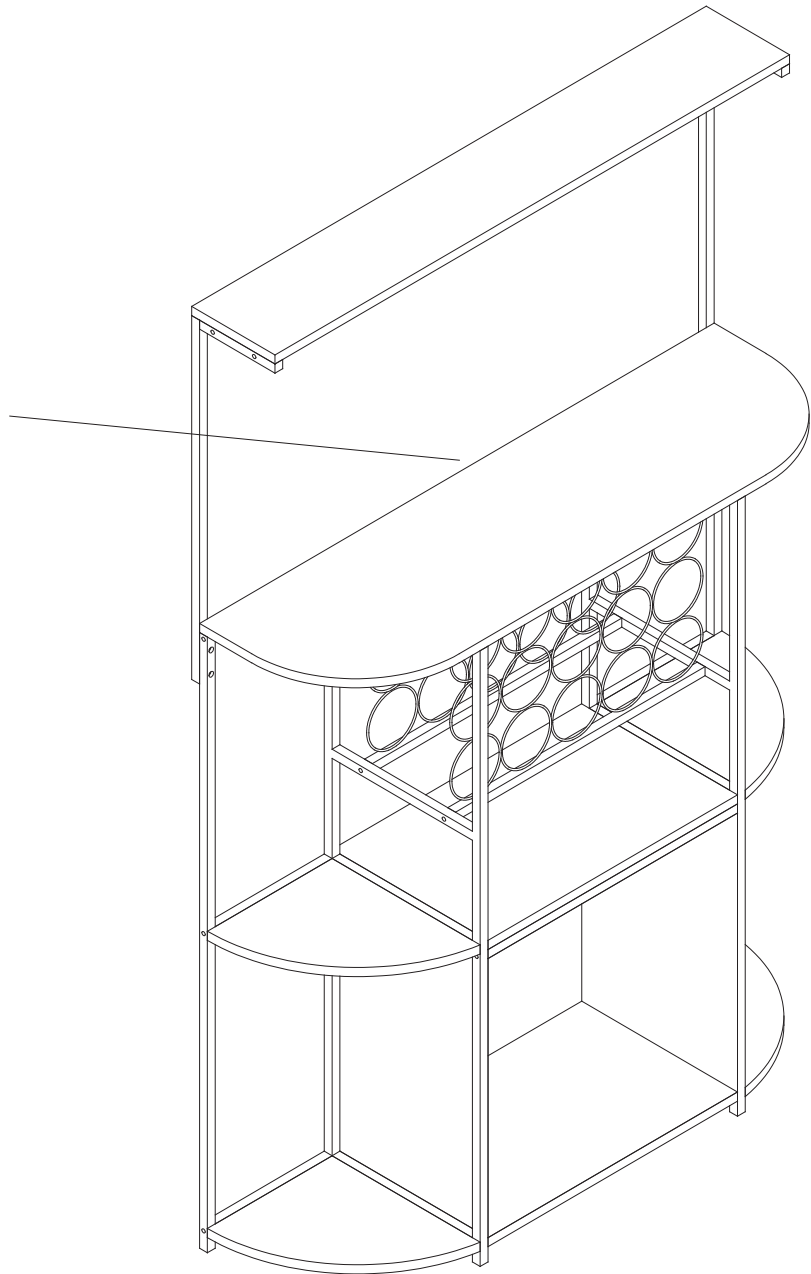
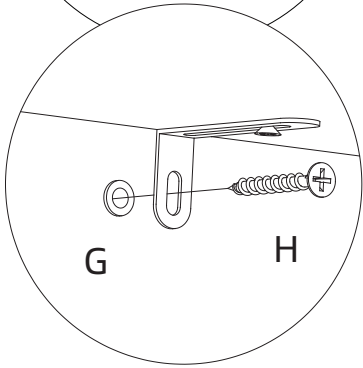
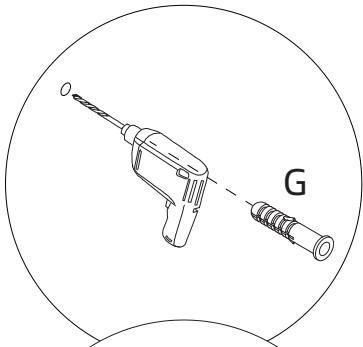
Two people required in this step.



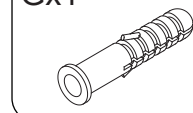
Bx4



STEP 11



Gx1



Hx1

