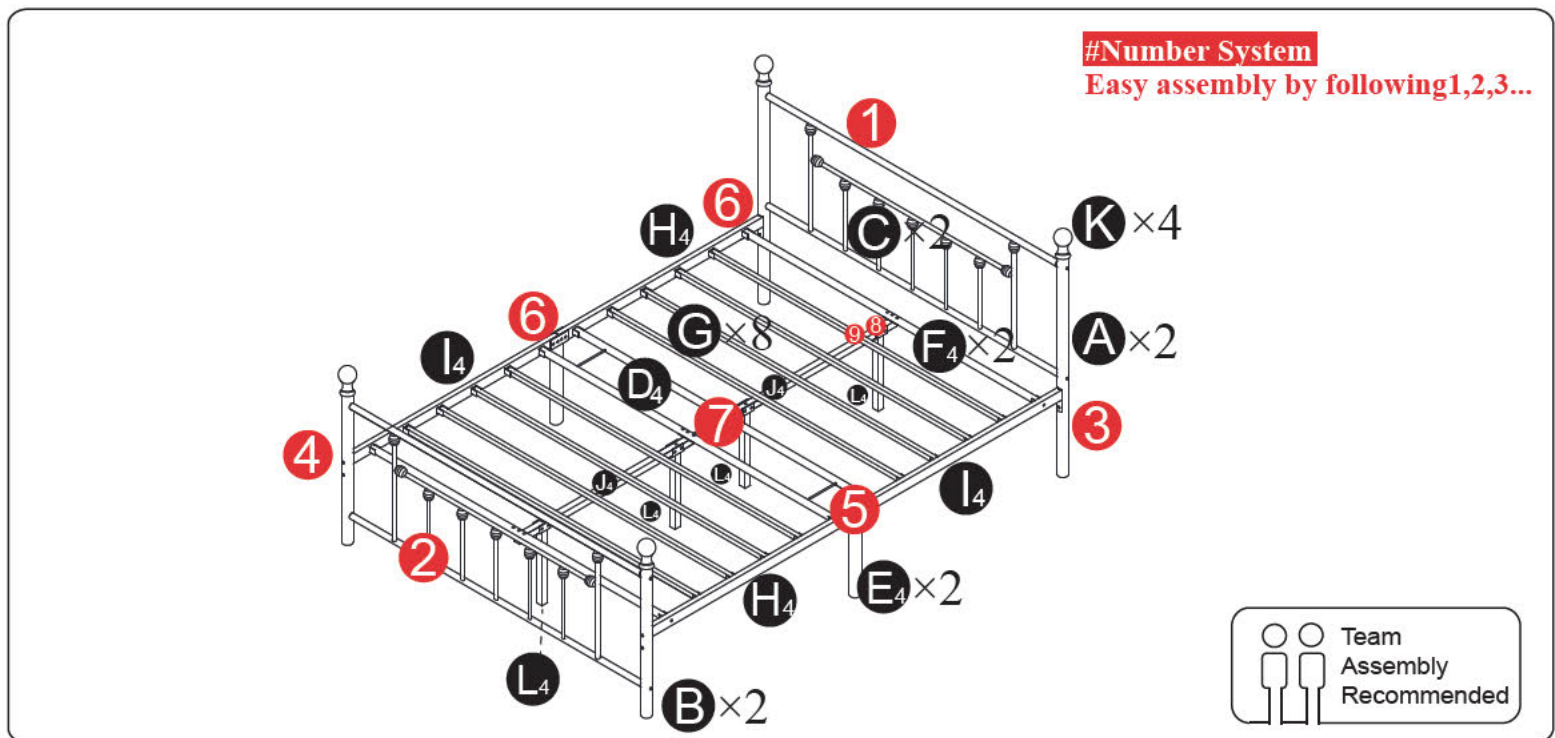


Bed Frame Installation Manual



Components		Screws & Tools	
	A x2	①	M8x50mm x8
	B x2	②	M8x35mm x8
	C x2	③	M6x60mm x8
	D x1	④	M6x40mm x20
	E x2	⑤	M6x30mm x12
	F x2	⑥	M6x15mm x4
	G x8	⑦	Ø x16
	H x2	⑧	M8 x12
	I x2	⑨	M6 x16
	J x2	⑩	M5 x1
	K x4	⑪	M13/M10 x1
	L x4		

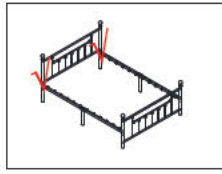
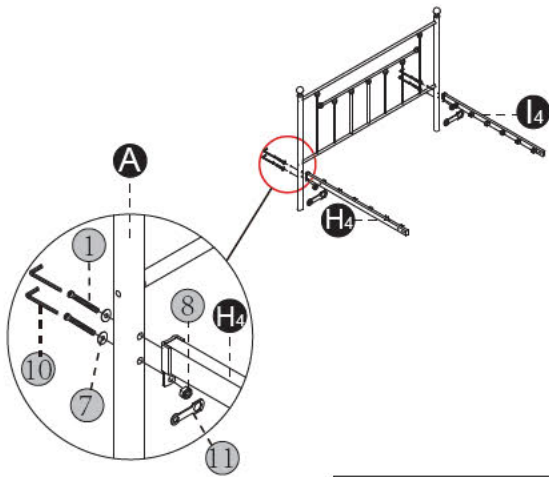
1 Headboard assembly

Note: In this step, do not tighten screw ③

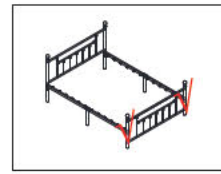
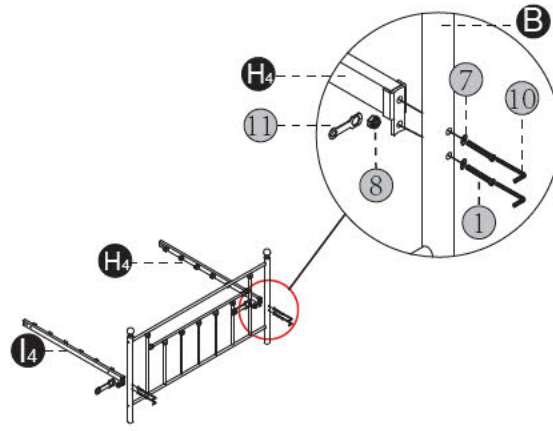
2 Footboard assembly

Note: In this step, do not tighten screw ③

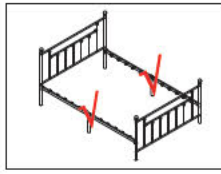
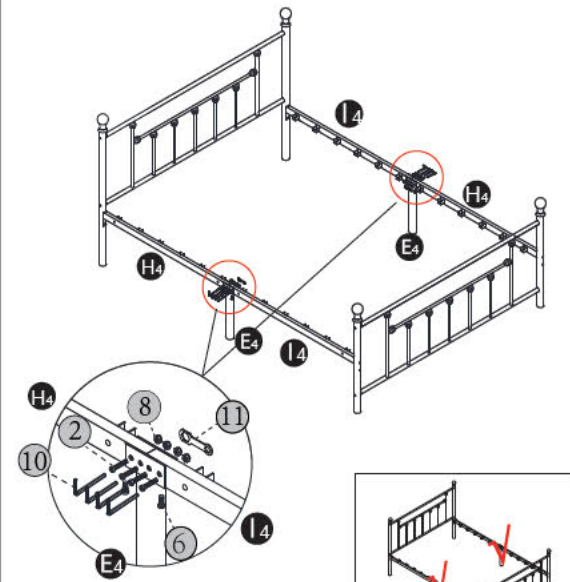
3 Connect **H₄** & **L₄** to headboard



4 Connect **H₄** & **L₄** to footboard

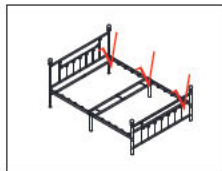
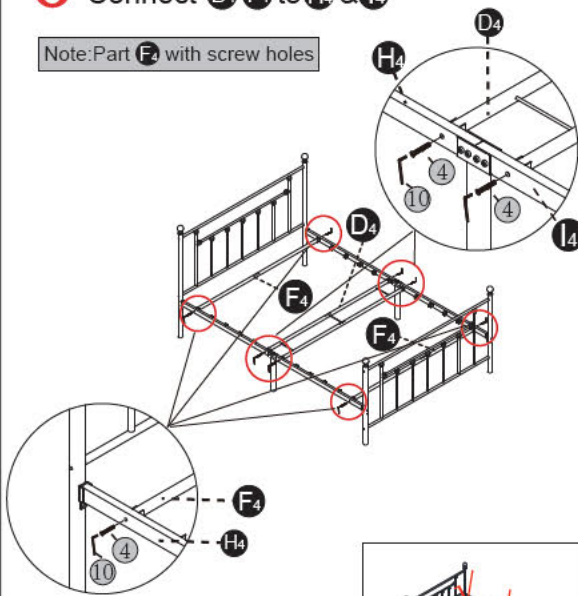


5 Connect **E₄** to **H₄** & **L₄**



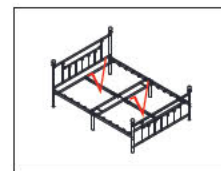
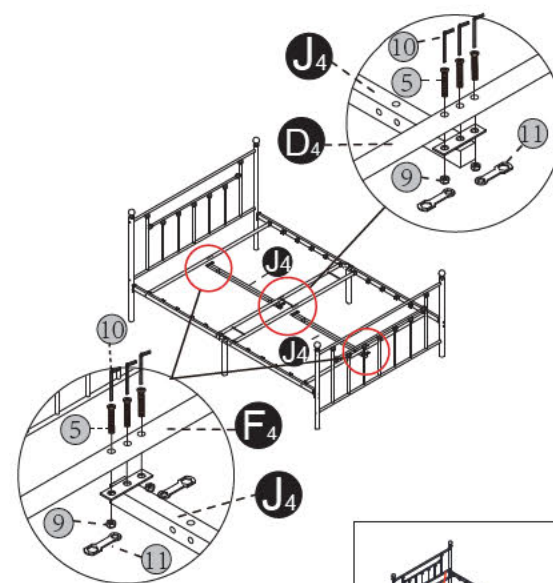
6 Connect **D₄** **F₄** to **H₄** & **L₄**

Note: Part **F₄** with screw holes

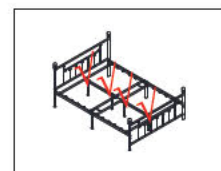
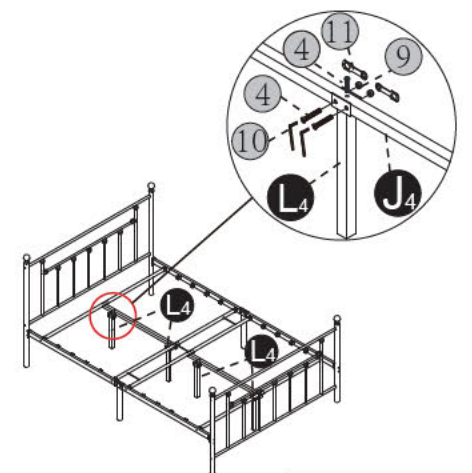


Note:
In this step, do not tighten
screw **4**

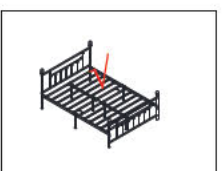
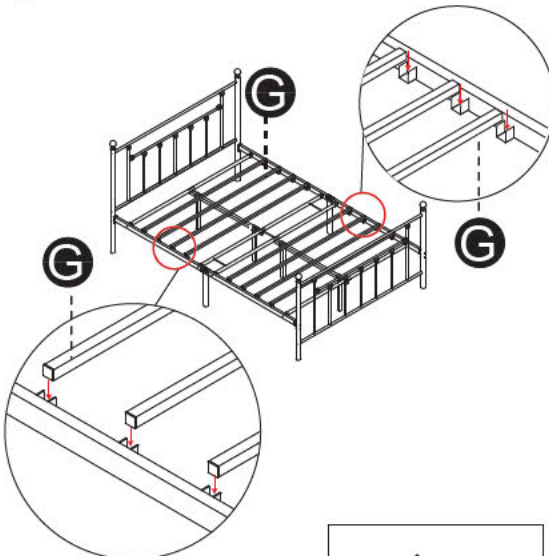
7 Connect **J₄** to **D₄** & **F₄**



8 Connect **L₄** to **J₄**



9 Assemble bed slats



Note:
If the bed slats cannot be
inserted easily, loosen the
screws (step **6**)

10 Check and tighten all screws

