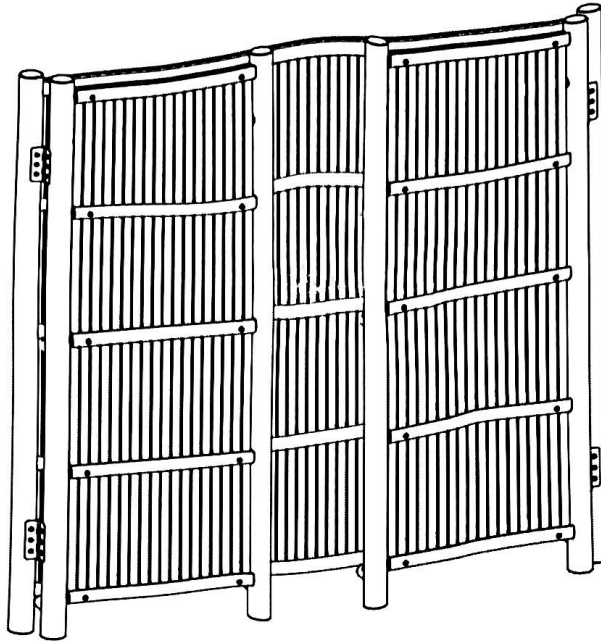
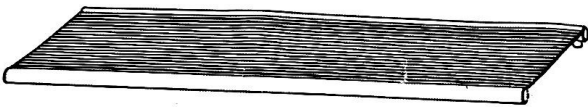


# TB-25

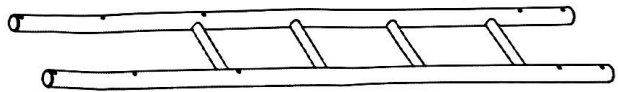
A1x1pc



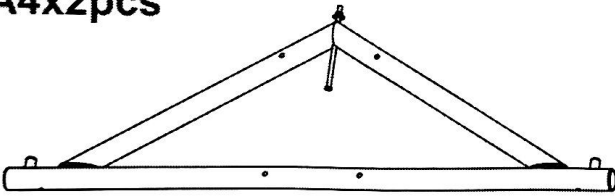
A2x2pcs



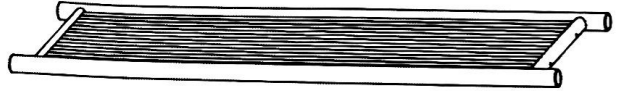
A3x2pcs



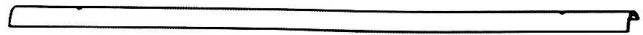
A4x2pcs



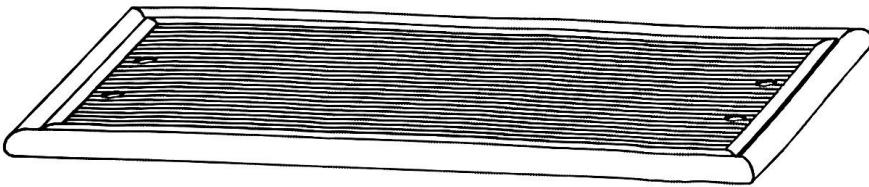
A5x1pc



A6x1pc



A7x1pc

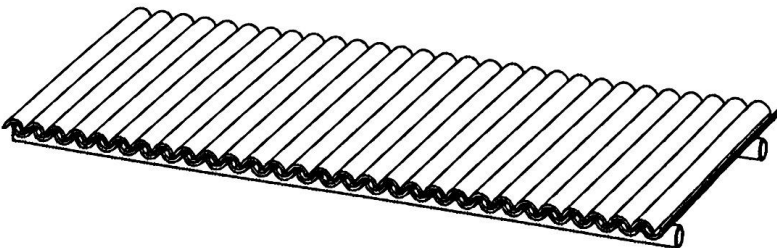


1 x24pcs



M6x50

A8x2pcs

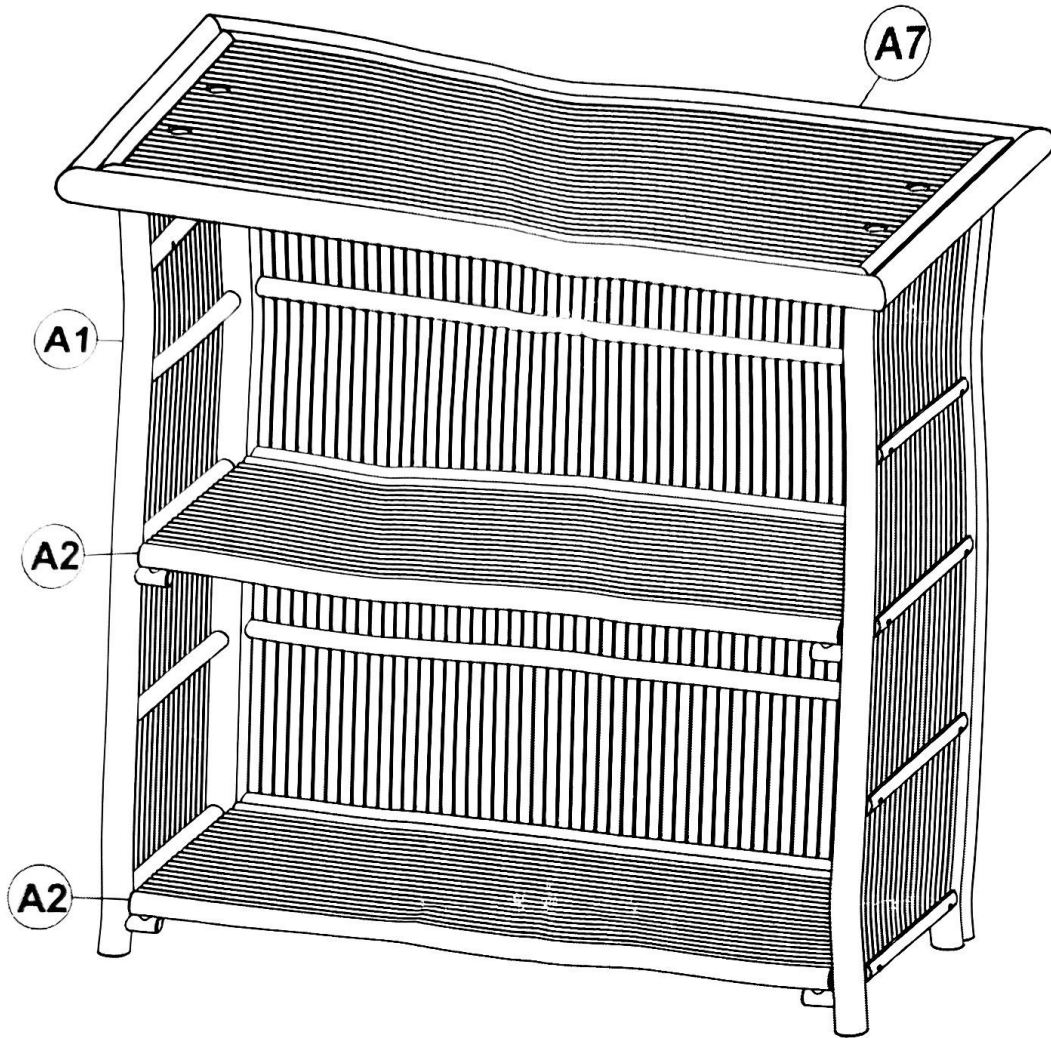


2 x1pc



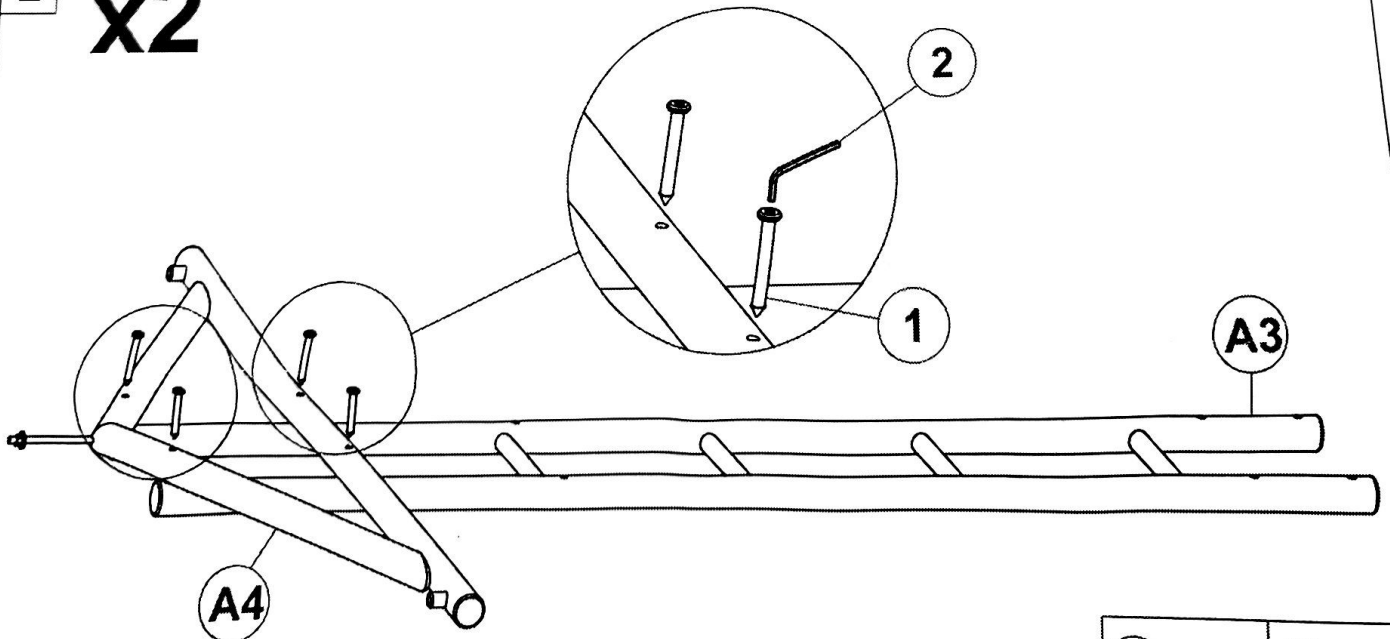
# TB-25

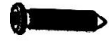

1



2

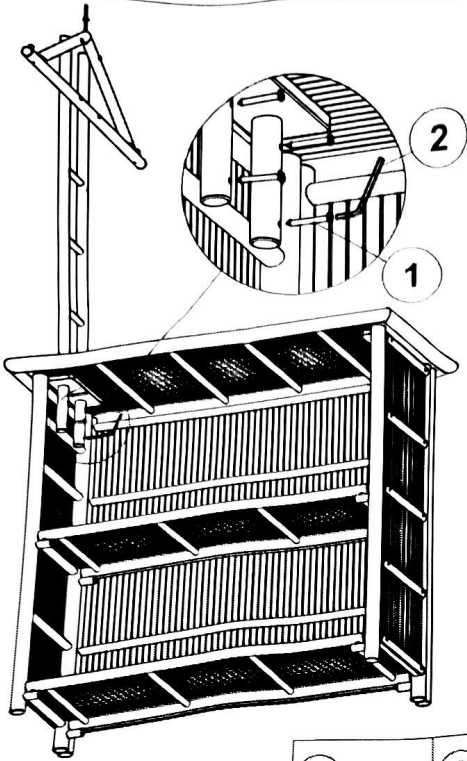
x2



- |   |   |
|---|---|
| ① x8pcs   | ② x1pc  |
|  |  |

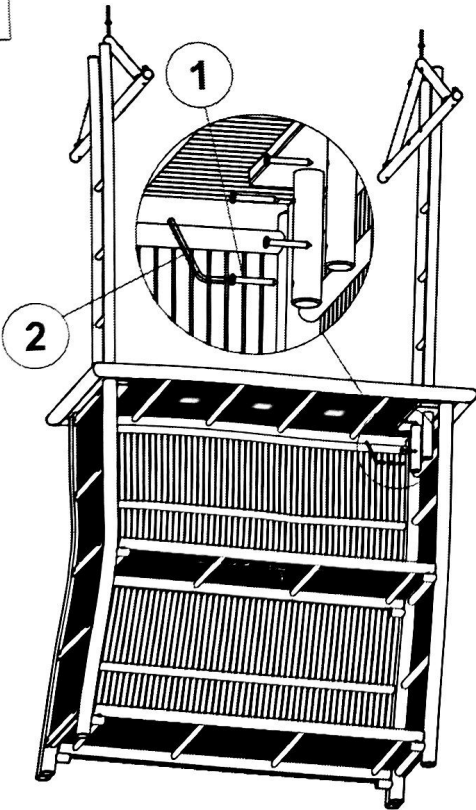
# TB-25

3



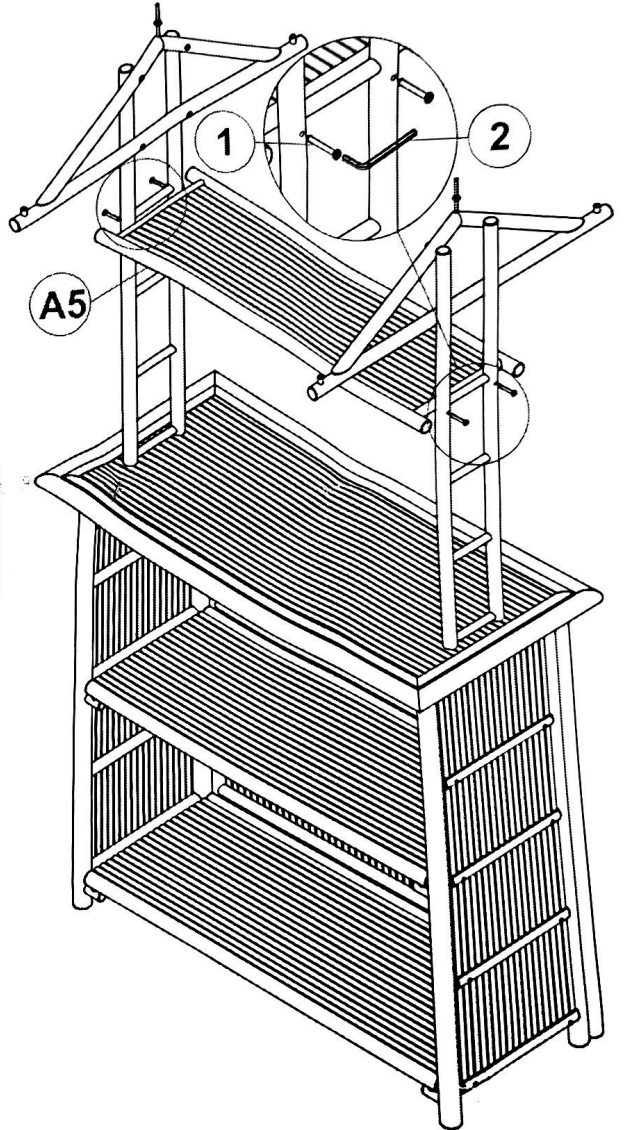
① x4pcs  
② x1pc

4



① x4pcs  
② x1pc

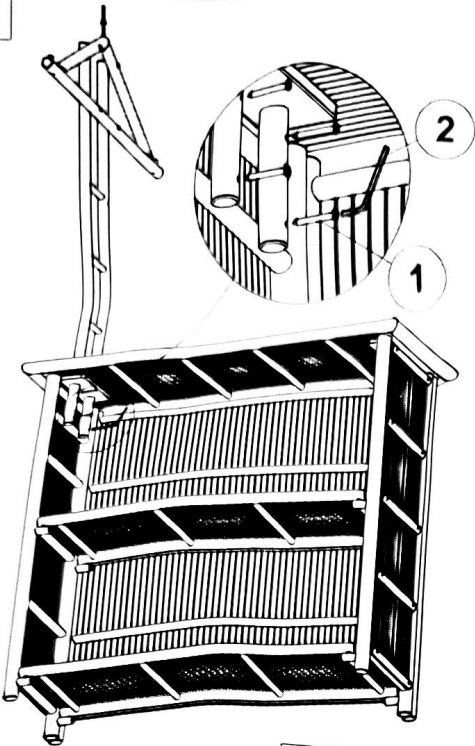
5



① x4pcs  
② x1pc

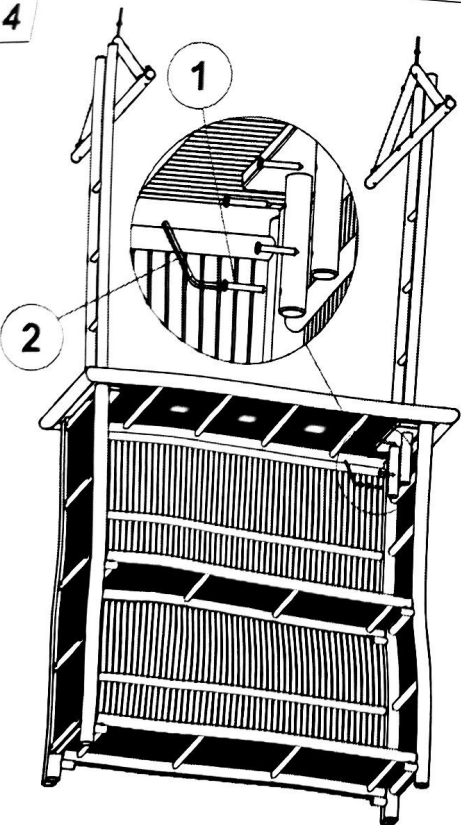
TB-25

3



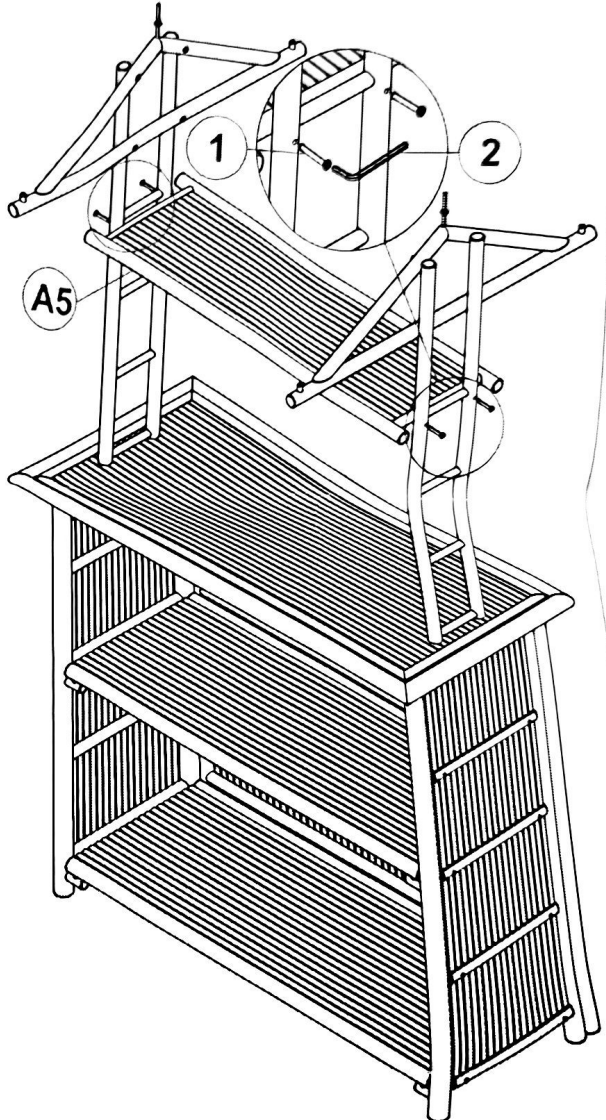
- ① x4pcs
- ② x1pc

4



- ① x4pcs
- ② x1pc

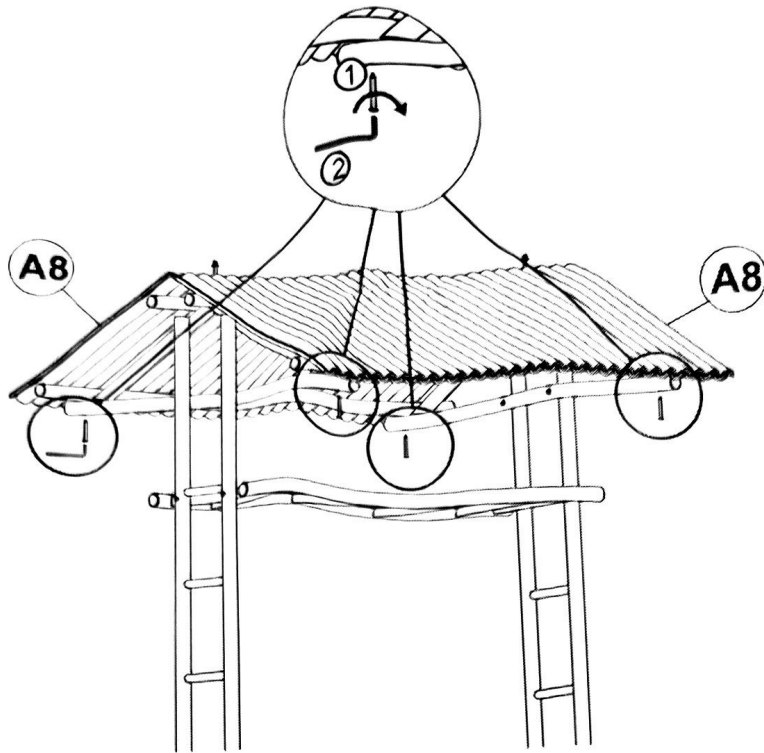
5





- ① x4pcs
- ② x1pc

# TB-25

6



1 x4pcs	2 x1pc
	

7

