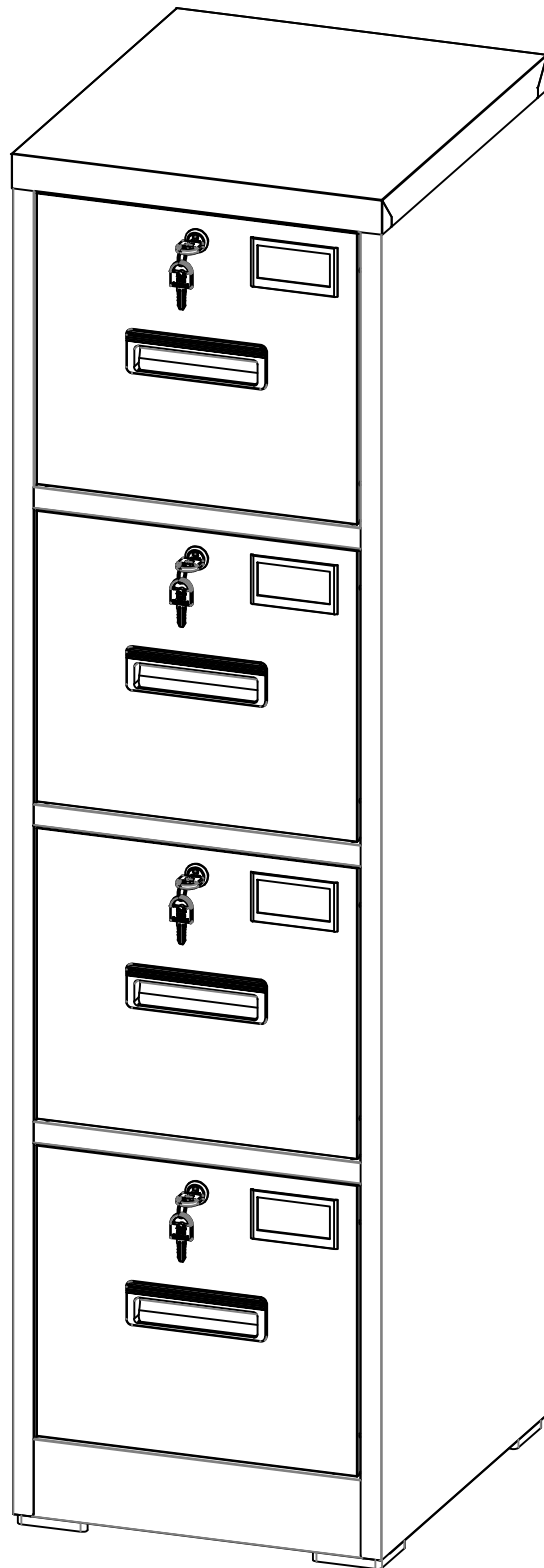
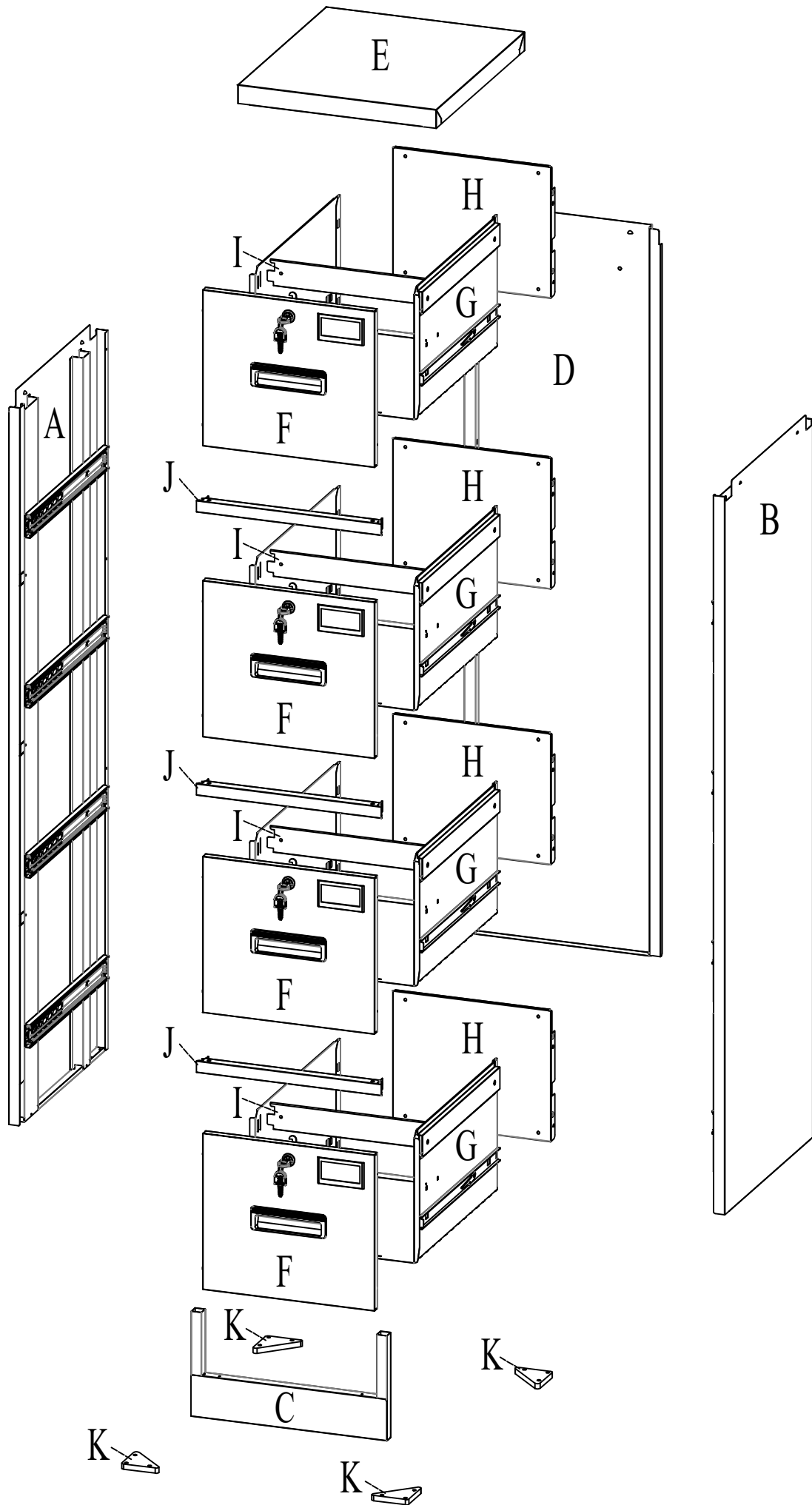


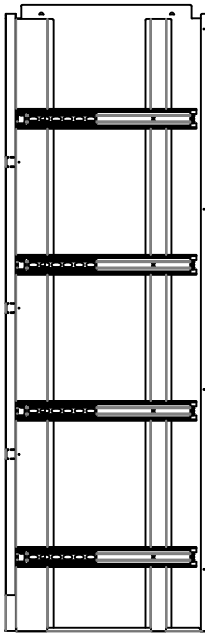
Assembly Instructions





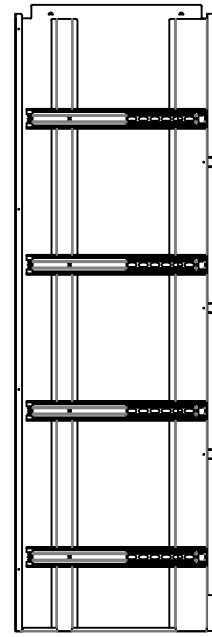
A - Left Side Panel

1 PC



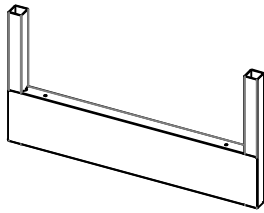
B - Right Side Panel

1 PC



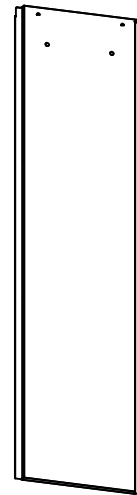
C - Bottom Frame

1 PC



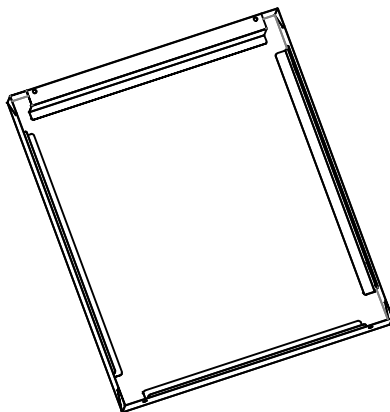
D - Back Panel

1 PC



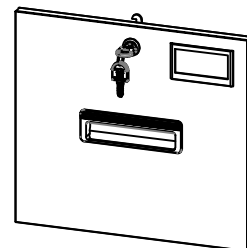
E - Top Panel

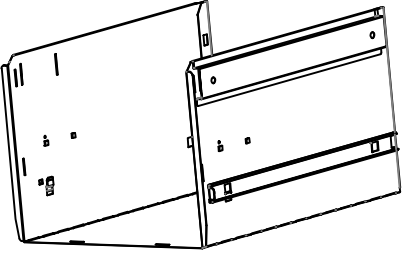
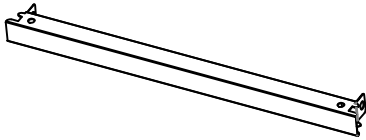
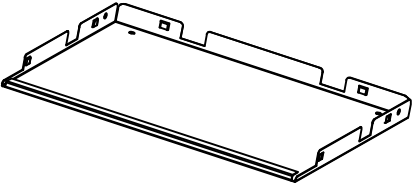
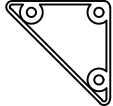
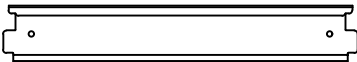
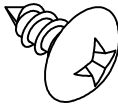

1 PC



F - Drawer Front Panel

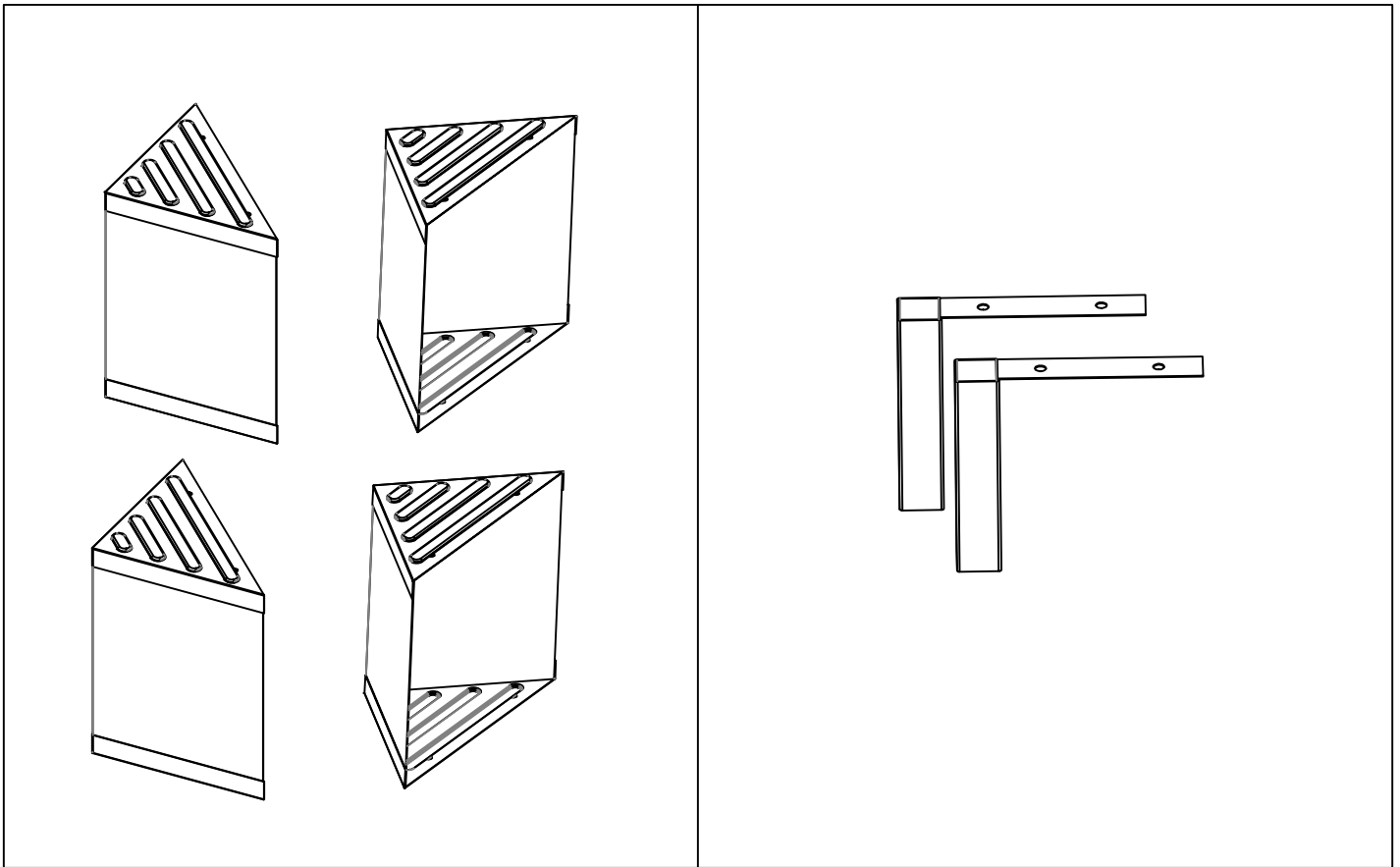
4 PCS



G-Drawer	4 PCS	J- Middle Beam	3 PCS
			
H-Drawer Back Baffle	4 PCS	K- Foot	4 PCS
			
I- Hanging Bar	4 PCS	L- Screw	26 PCS
			
<p style="text-align: center;">  CAUTION An assistant is required </p>		<p style="text-align: center;"> CUSTOMER FIRST, SERVICE FOREMOST! Questions? Issues? CONTACT US REPLY WITHIN 24 HOURS IN BUSINESS DAYS </p>	

To ensure security, each drawer is equipped with a unique pair of keys, affixed to its respective drawer front panel. Before installing the drawer, kindly remove the keys and keep them paired correctly. If the keys are lost, only a management key can be issued, which can unlock all the drawers. Therefore, please safeguard your keys diligently!

Tips: These are corner protectors and they are not parts of the cabinets.



DANGER



Always secure this furniture with an anchor device.

Unsecured furniture can cause serious injury or death to children.

Never allow children to stand, climb or hang on drawers, doors or shelves.

Never open more than one drawer or door at a time.

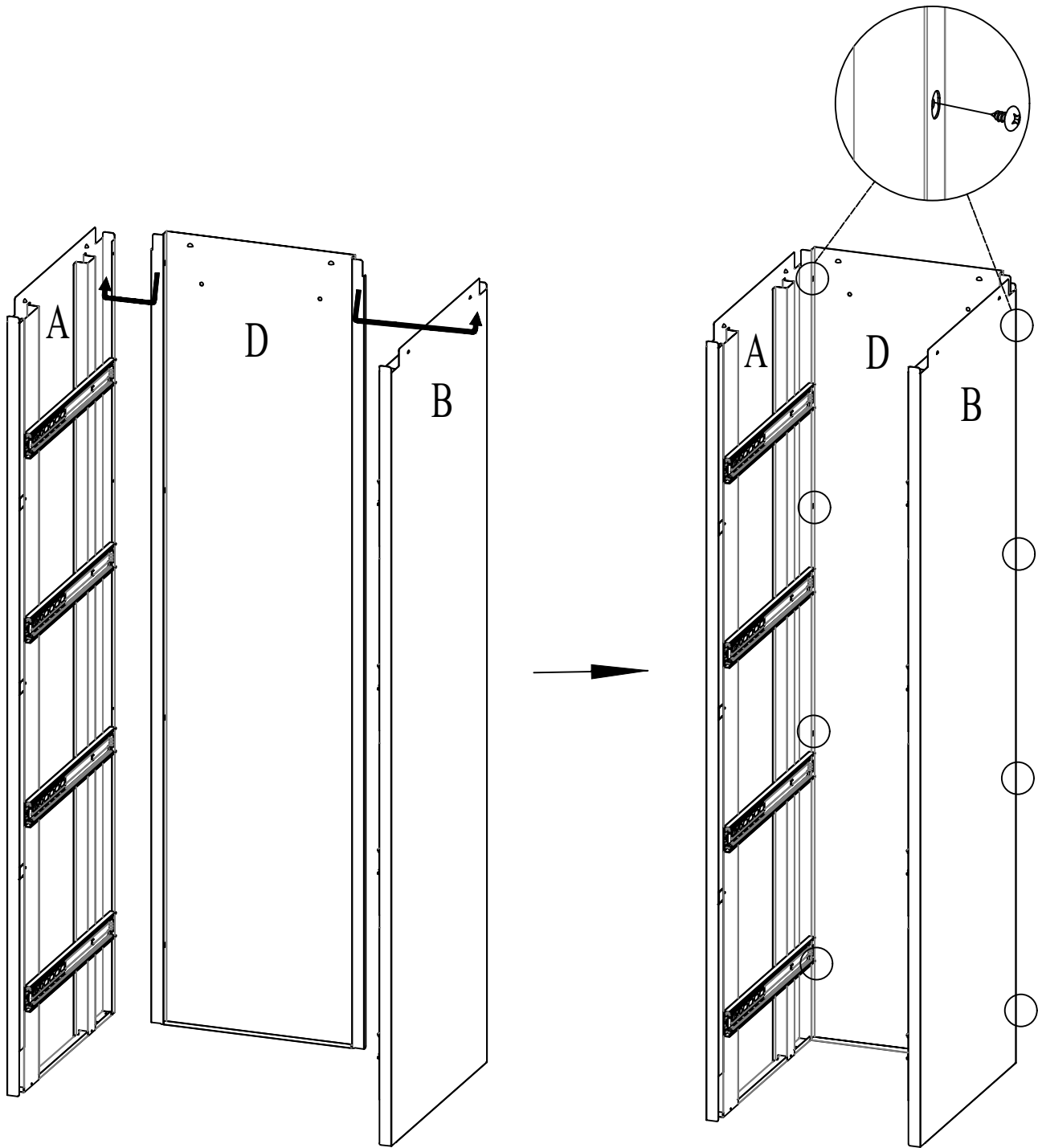
Place the heavy items on the lower position.

Never place a television on this furniture.

This is a permanent label. Do not remove!

Step 1

Connect left side panel A and right side panel B with back panel D by 8 screws L



The screws will be easy to install if back panel is put on the floor

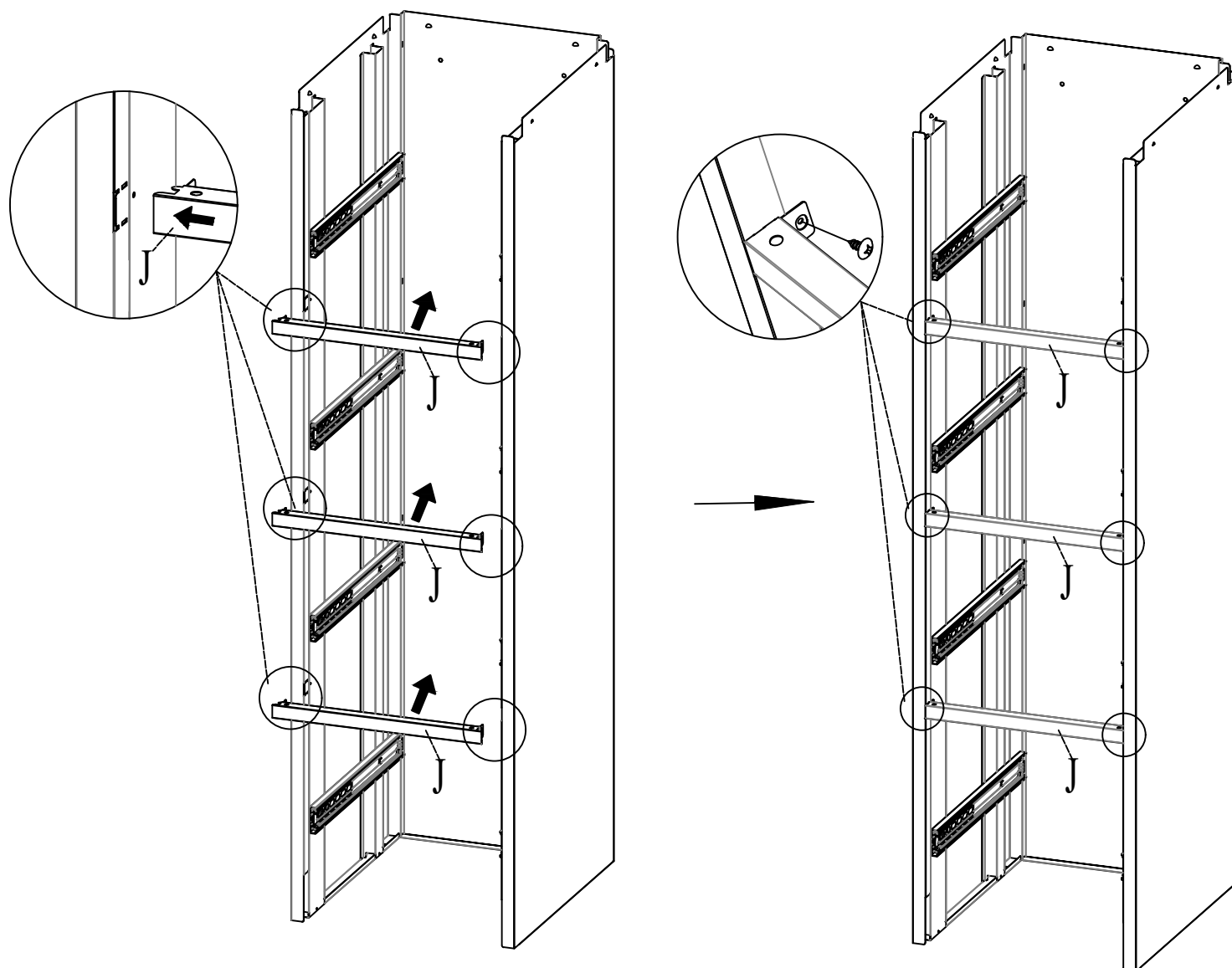
L



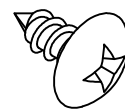
8 PCS

Step 2

Insert the middle beams J into the holes of the both side panels separately and fix them with 6 screws L



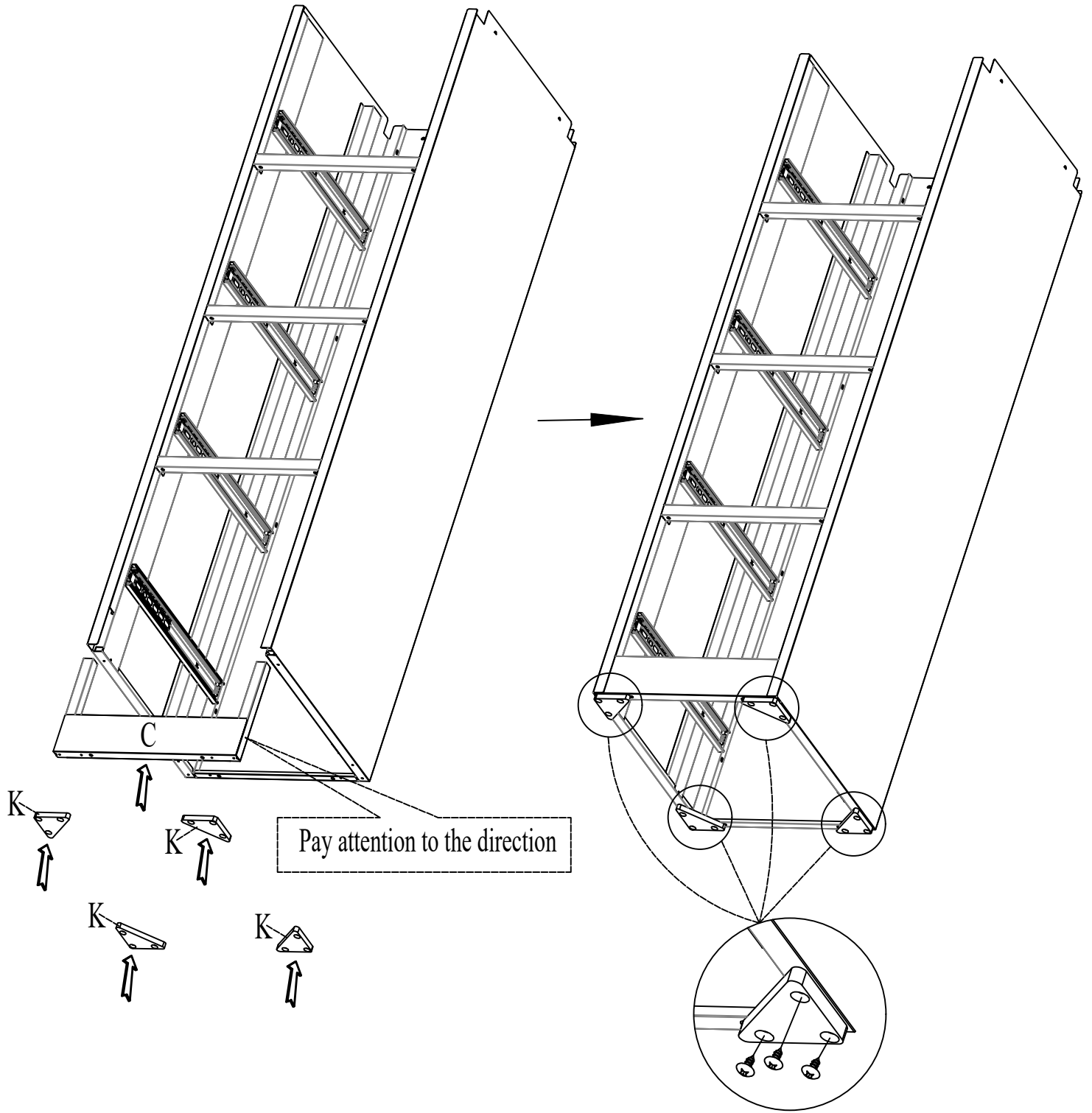
L

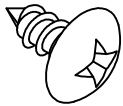


6 PCS

Step 3

Insert bottom frame C into the bottom, then install feet K with 12 screws L



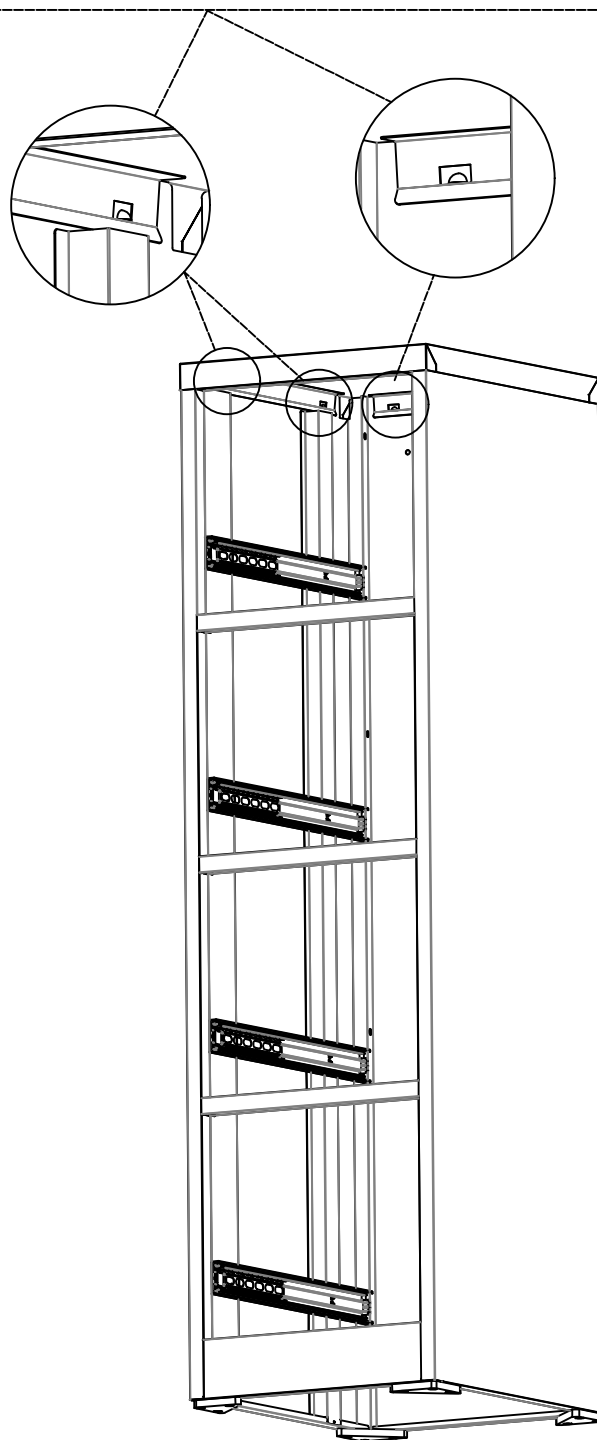
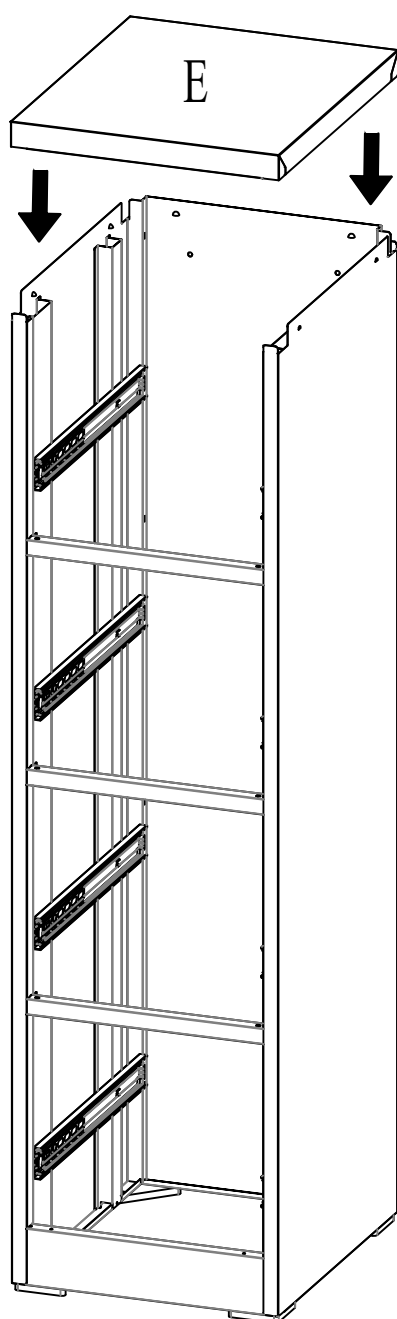
L		12 PCS
---	---	--------

Step 4

Put the top panel E on the side panels and adjust it to the correct place

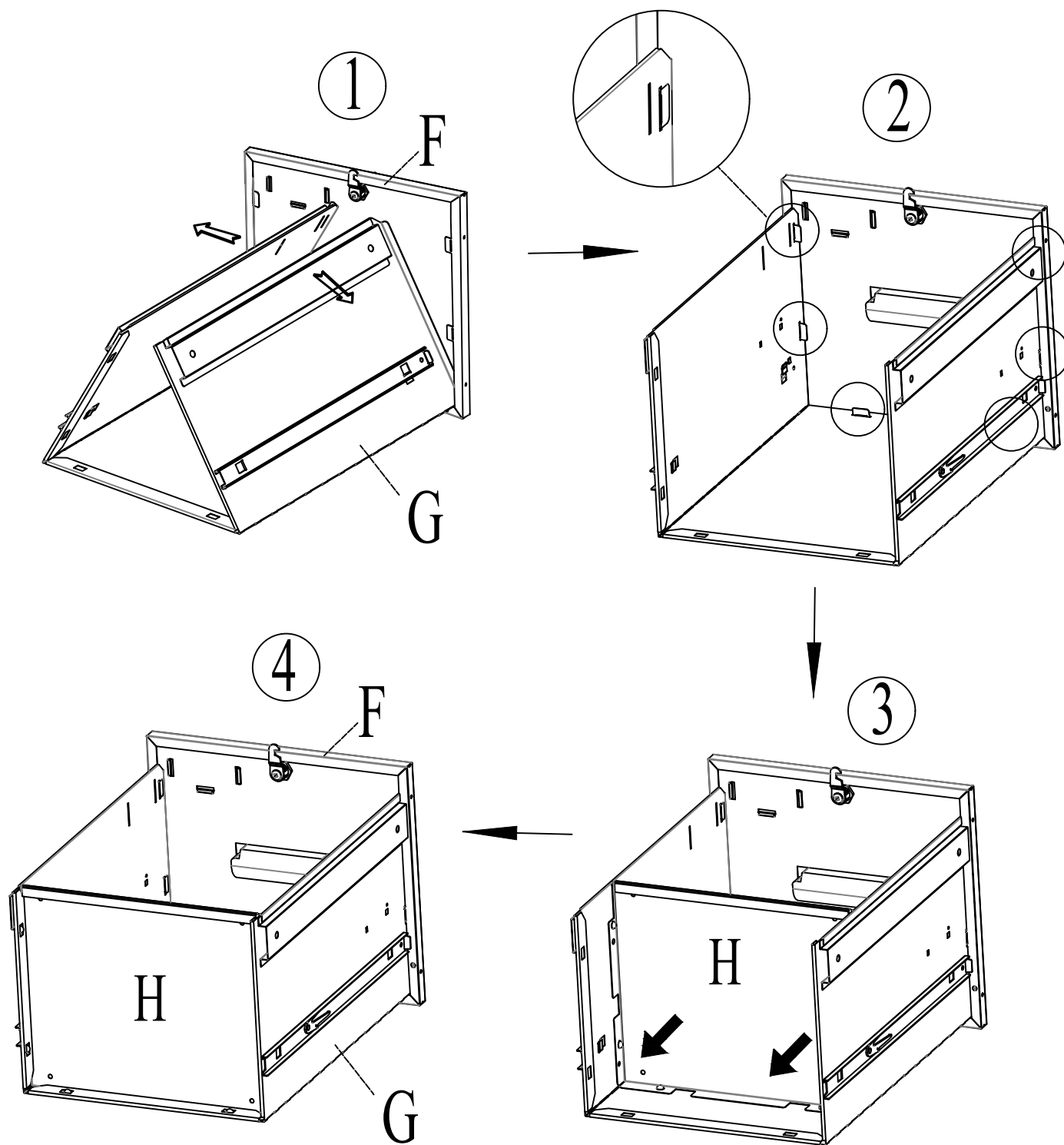
(You can put down the front of the top panel first.)

Ensure that the protrusions on the left and right side panels, as well as the back panel, are securely fitted into the corresponding holes at the top.



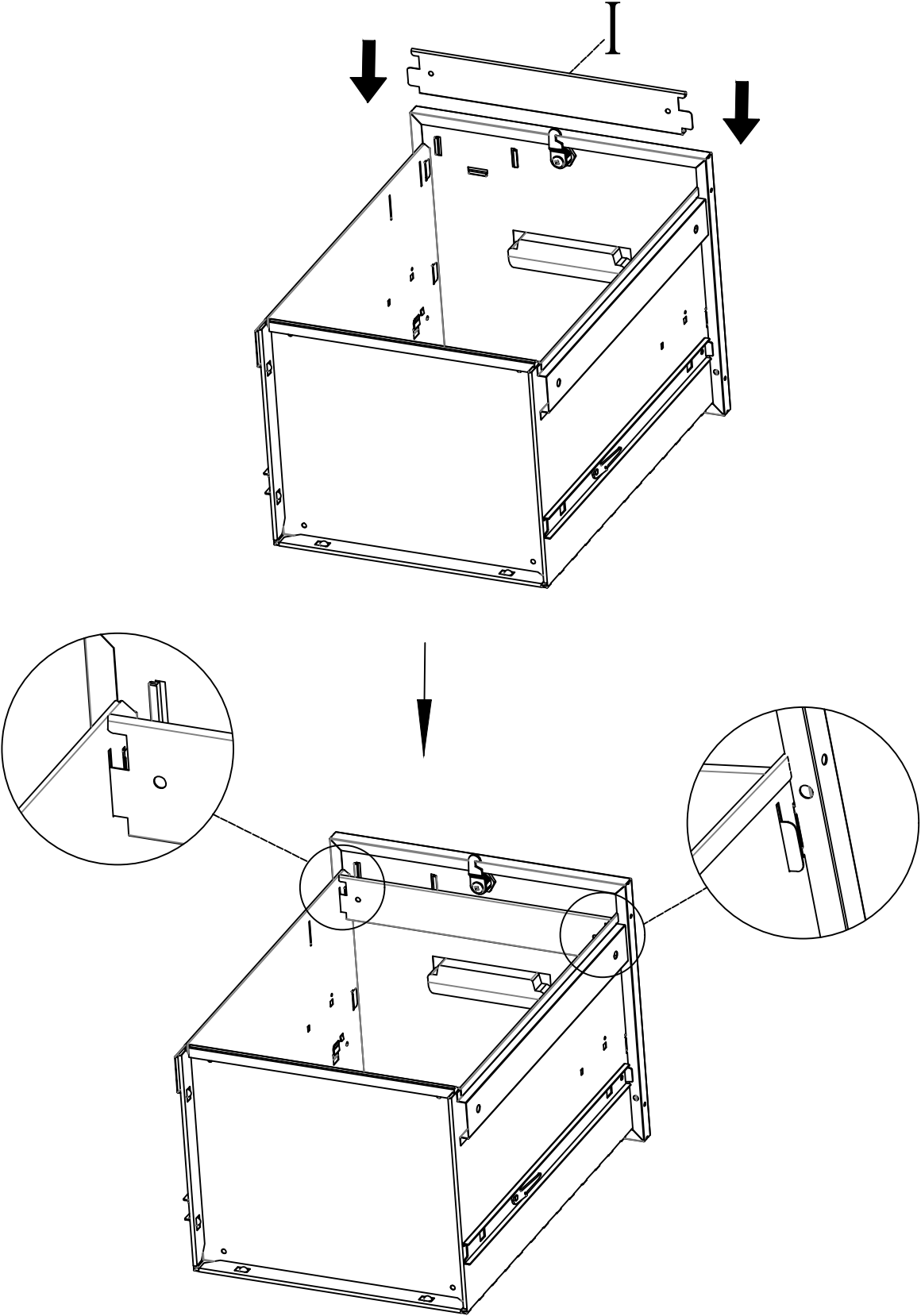
Step 5

Unfold the drawer G and insert it into drawer front panel F and fold the small parts (It's easier when F is put on the floor) Insert drawer back baffle H into the end of the drawer



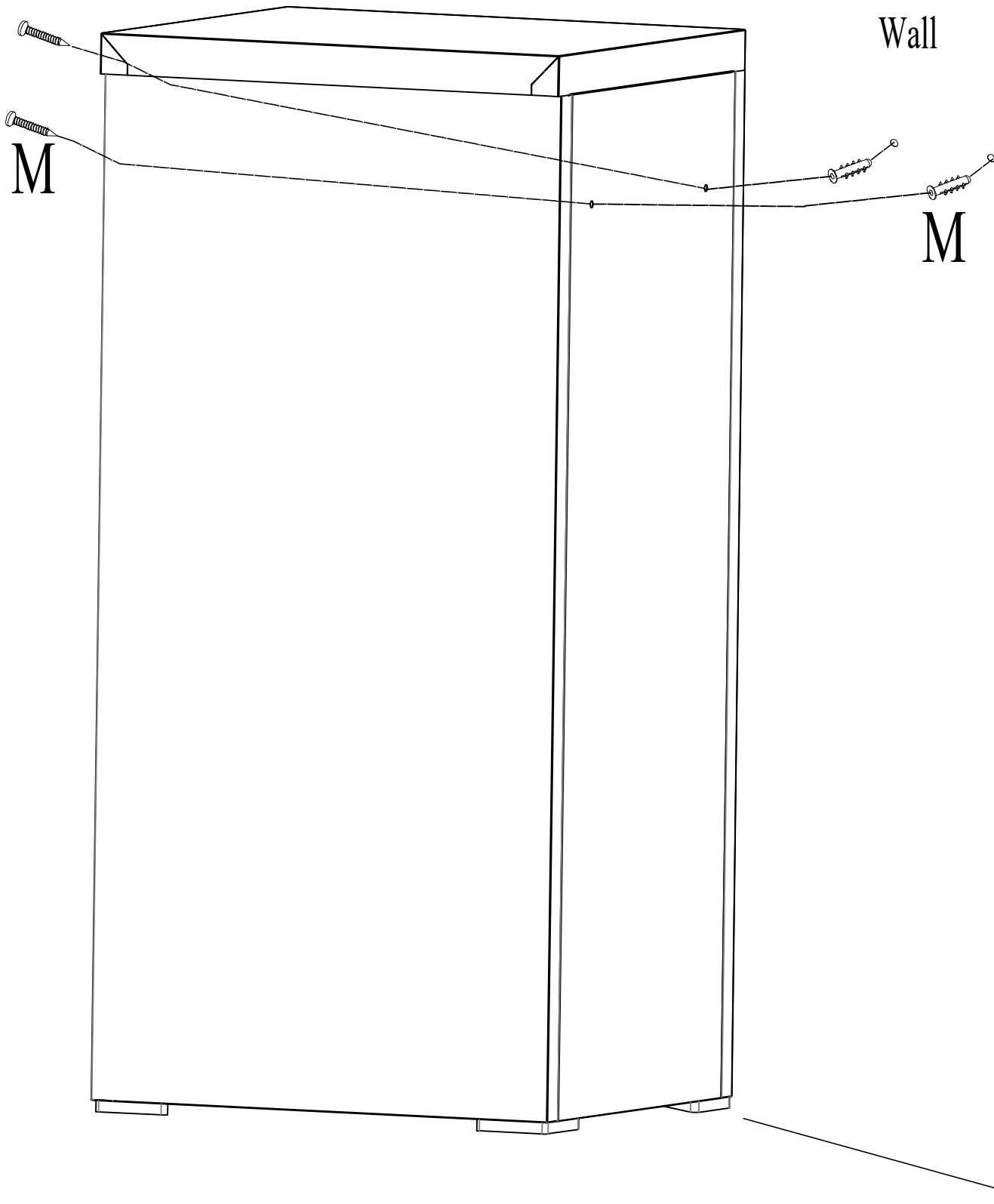
Step 6

Install the hanging bar I in the place according to your need

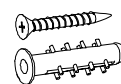


Step 7

Fix the cabinet to the wall with screws M to prevent tipping



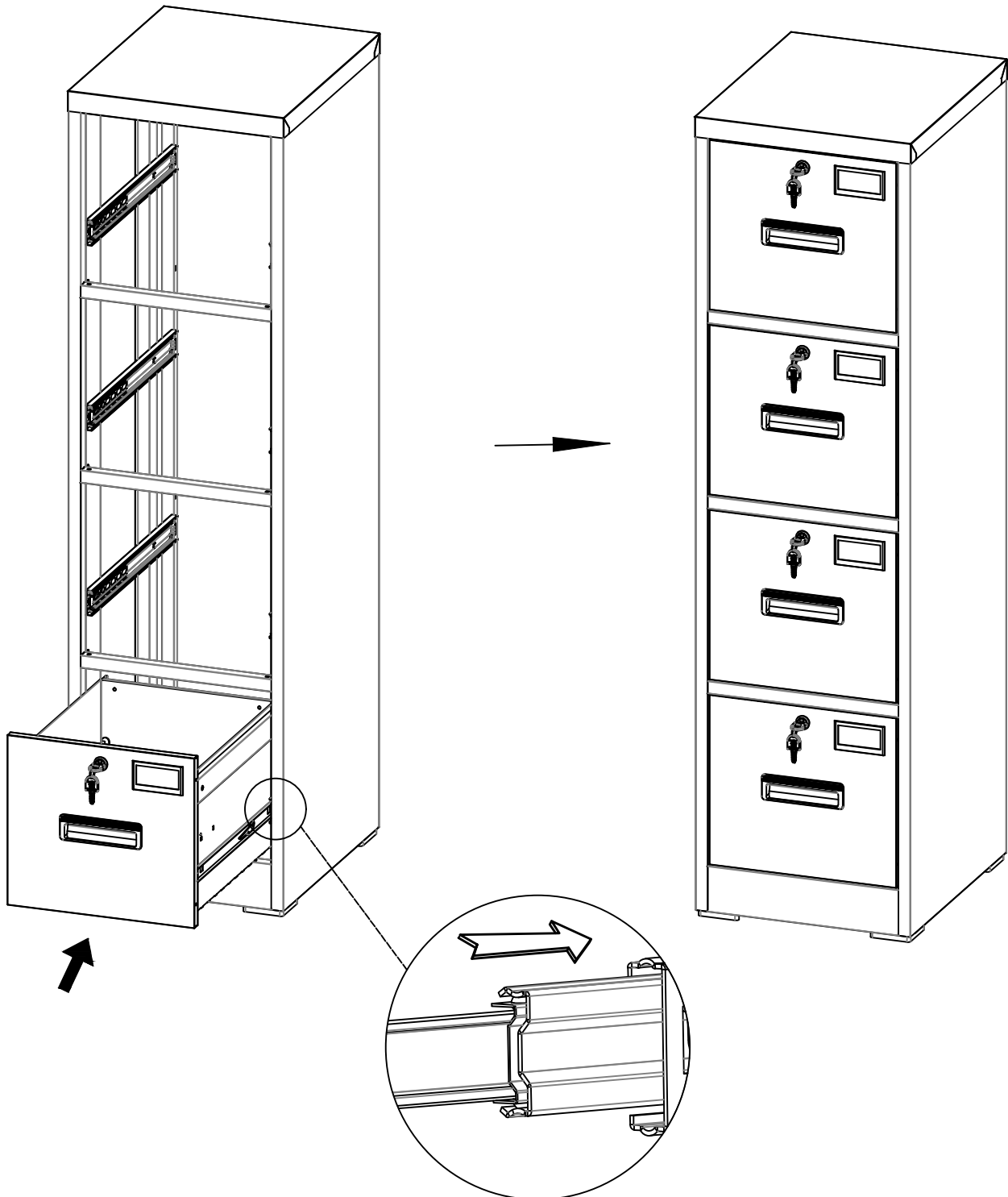
M



2 PCS

Step 8

Install the drawers



First, completely pull out the front of the slide rails on the left and right side, then insert the slide rails on both sides into the drawer at the same time. Pull out the drawer twice slowly and the lubricating oil inside the slide rails will come out and it will be smooth.