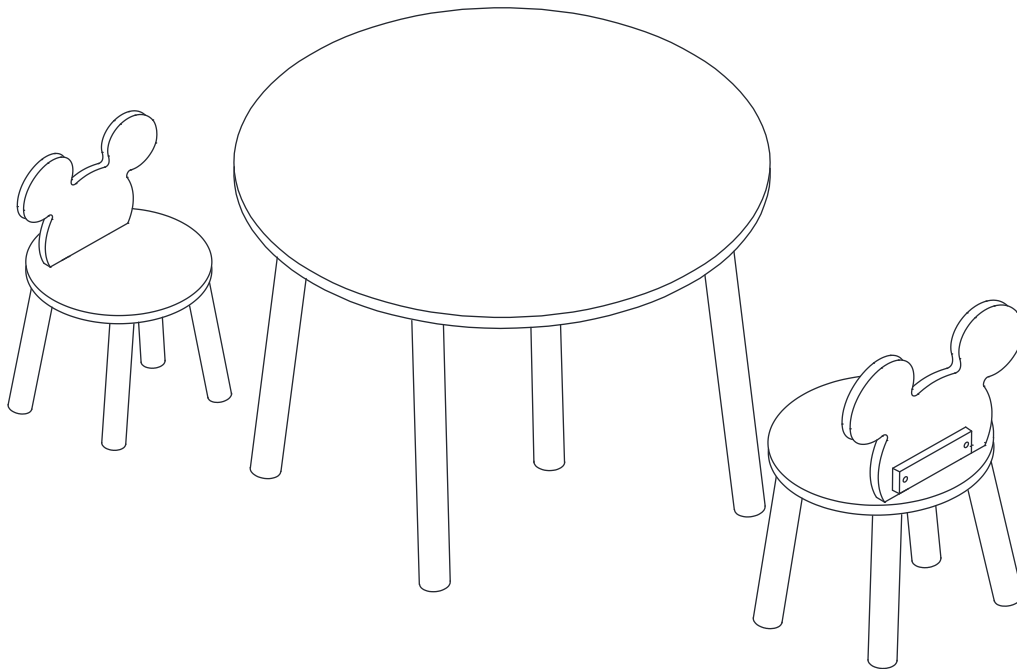


# Assembly Instructions

Mickey Mouse Table and 2 Chair set  
520872



## **Retain these instructions for future reference**

Assembly to be carried out by a competent adult only.

During assembly children should be kept away from the product due to the possible risk of injury.

Do not use this item if any components are missing or damaged.

Assemble the furniture on a soft level surface to avoid damaging the product or your floor.

We recommend furniture be assembled near where they will be placed, to avoid moving the product unnecessarily once assembled.

If there is a need to move the furniture, please remove all loose items and have extra hands to help lift the furniture to the desired location. Dragging the furniture will damage both the furniture and the floor.

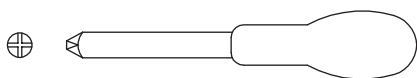
Ensure that fingers and legs are clear of all adjustments when adjusting this product.

Regularly check and re-tighten (if necessary) all bolts on furniture that you have assembled yourself.

This product is suitable for children in the age range 5-12 years.

Maximum weight allowed on product: Table 15kg and chair 30kg.

## **Tools Required**



## **Care and Maintenance of your Furniture**

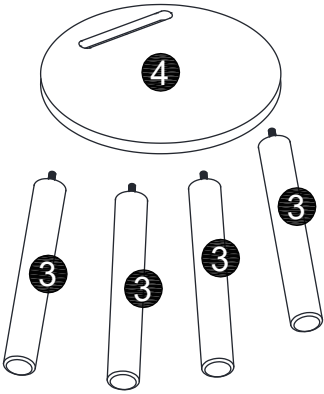
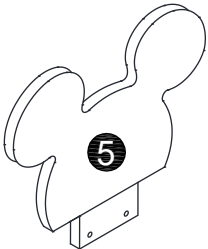
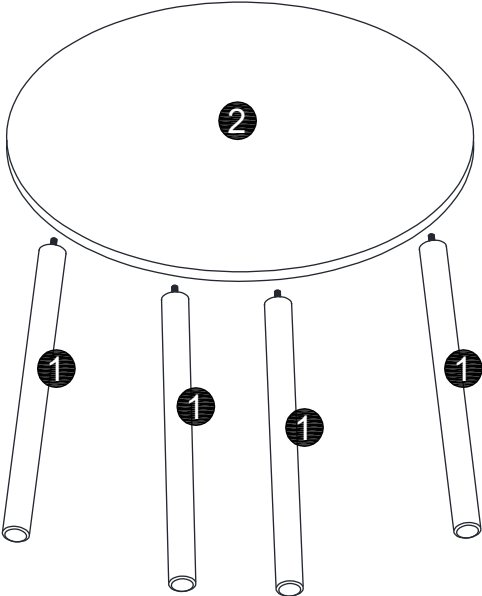
THIS TOP IS FINISHED WITH WATER BASED PAINTED.

Avoid placing hot items directly onto the surface unless using a thick insulation material such as placemats or coasters. Heat may lead to discolouration or other damage to the surface of the product.

Use a soft cloth that has been dampened in water to clean the surface of this product. Do not use abrasive cleaners, furniture wax or polish on the surface of this product, as it may damage the surface.

**CAUTION: FREQUENT EXPOSURE TO DIRECT SUNLIGHT OR SIMILAR SOURCES MAY CAUSE THE SURFACE TO DISCOLOUR OR FADE.**


# PARTS LIST



**x2**

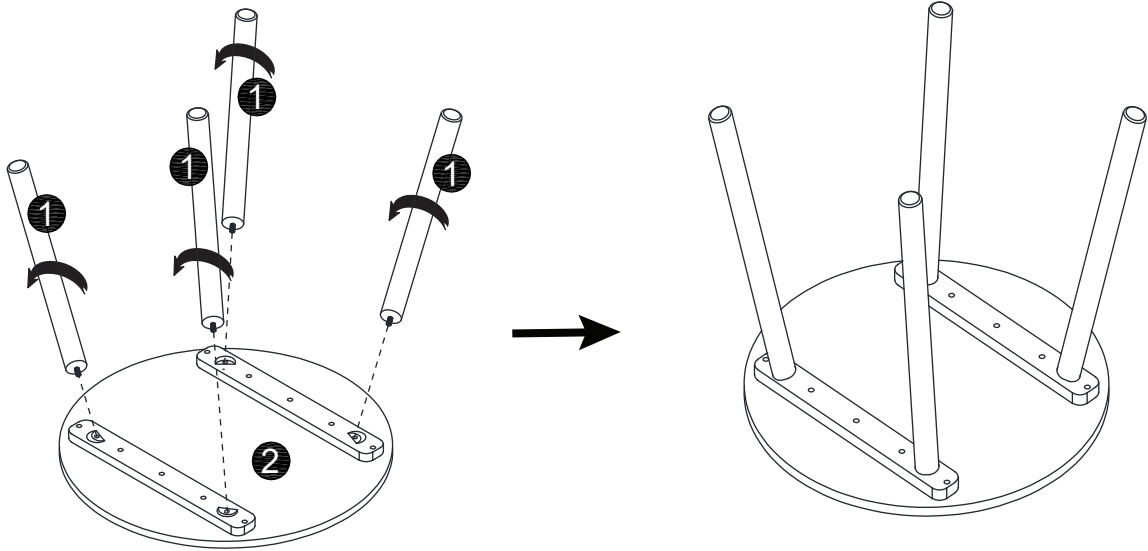
# HARDWARE LIST

A x 4

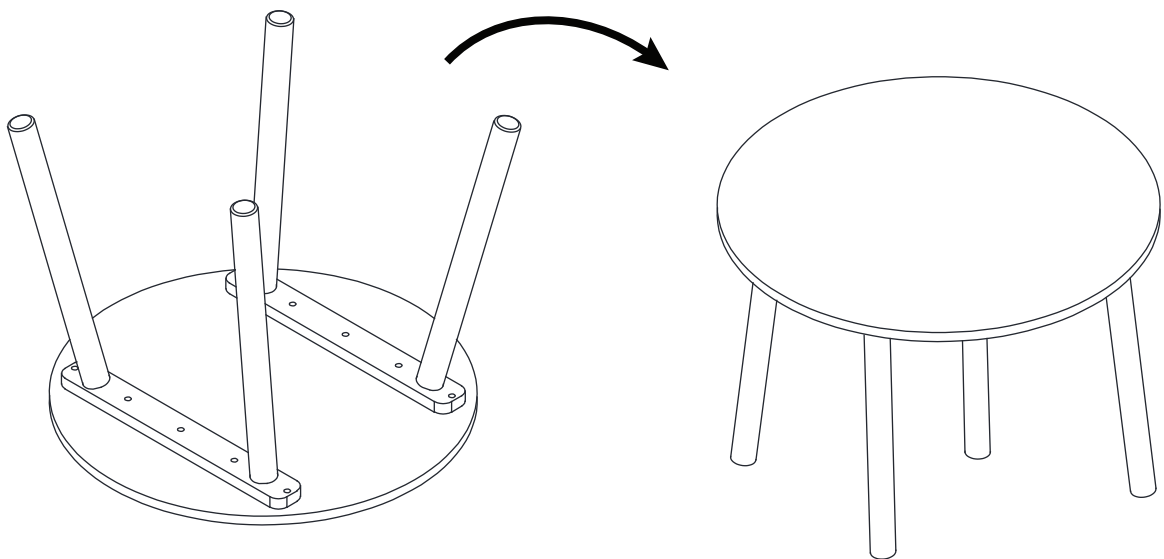
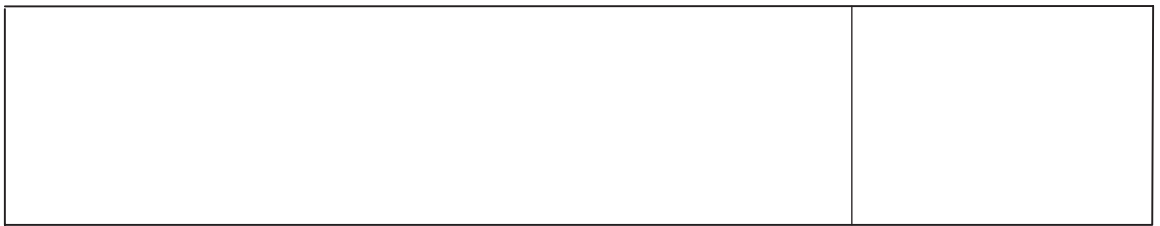


M5 x 35 mm

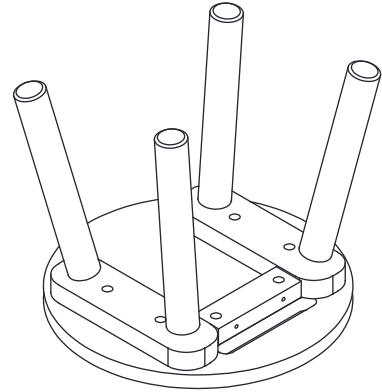
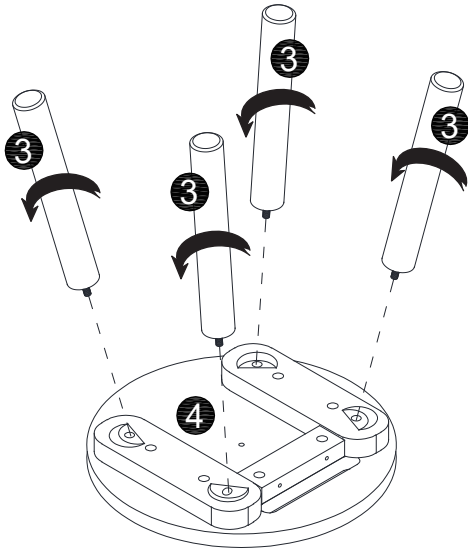
# 1



# 2

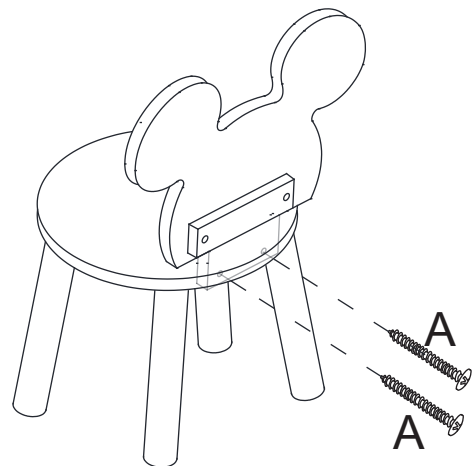
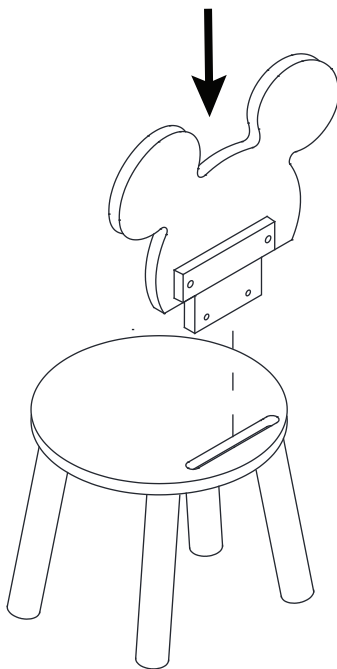


# 3



**x2**

# 4



**x2**

5

--	--

