

Assembly Instructions

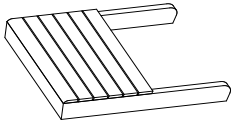
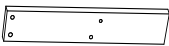
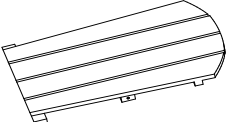
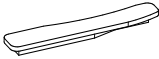


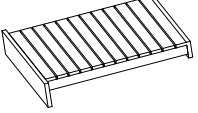
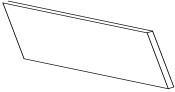
Caution : You must read this before you proceed

RECLINING CHAIR



CAUTION : This chair is NOT a TOY.
Keep your child / children at bay during the assembly process.
For moving the chair and to prevent damage to the chair, two adults are needed to execute this action.

Parts List

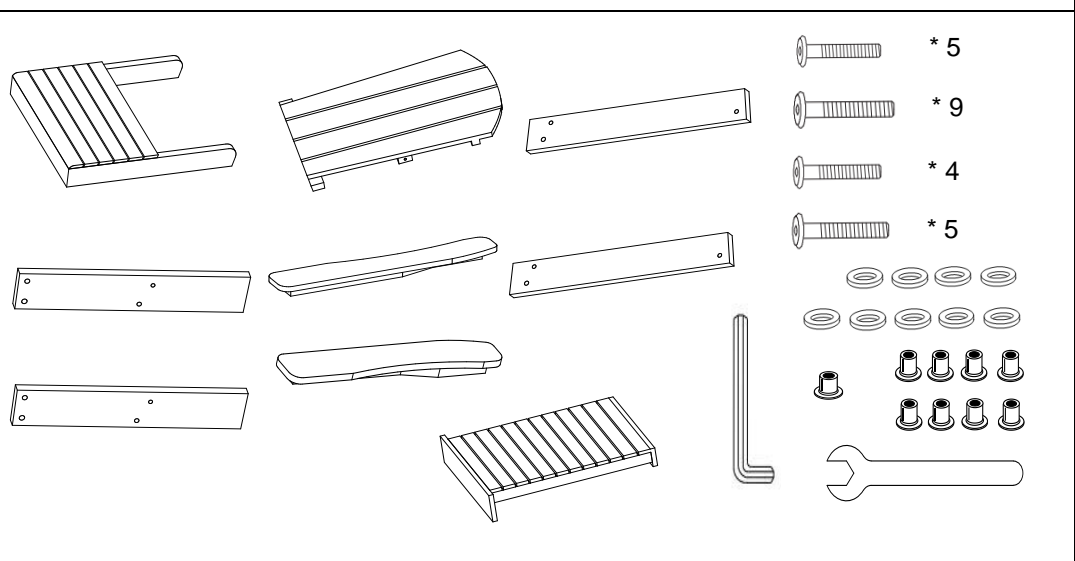
Label	Picture	Description	QTY
A		Seat Panel	1
B		Front Leg	2
C		Backrest	1
D		Left Armrest	1
E		Right Armrest	1
F		Back support	2
G		Foot Rest	1
H		Foot Baffle	1

Hardware

Label	Picture	Description	QTY
①		Bolt (M6X50mm)	5
②		Bolt (M6X70mm)	9
③		Bolt (M6X35mm)	4
④		Bolt (M6X43mm)	5
⑤		Nut (M6mm)	9
⑥		Washer	9
⑦		Nut	5
⑧		Spanner	1
⑨		Allen Key	1

Assembly Preparation

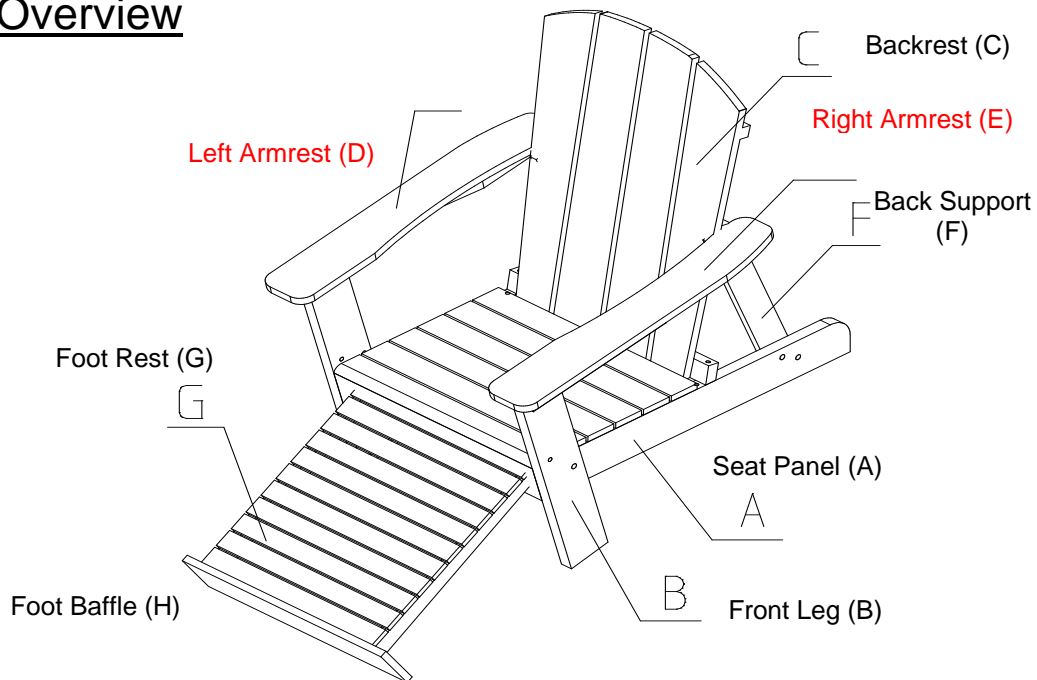
Before Beginning Assembly:



- Read instructions, cover to cover-
- Have 2 adults on hand for assembly-
- Do not assemble on flooring or carpet-
- Assemble on a clean non-marring surface (packing foam)-
- Save all packaging until finished-

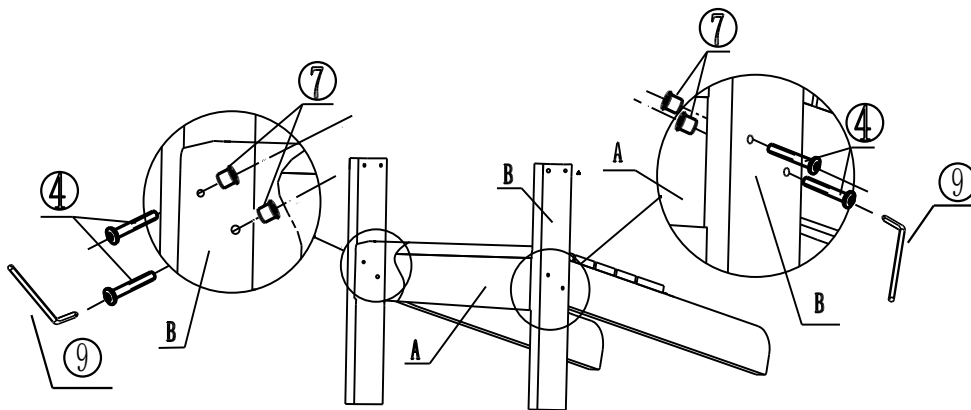
Assembly Steps

Overview



This Chair has multiple parts and may require up to 30 minutes to assemble. To give you an overview of the chair parts, the above picture is to help you put the various parts into perspective. Please read through the instructions below to familiarise yourself with the parts and steps before assembly.

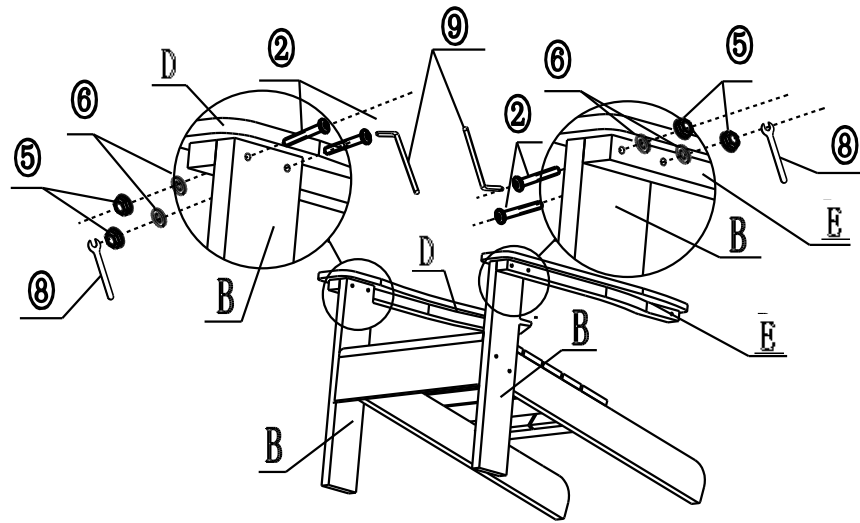
Step1



Unpack and place all parts on a clean, non-marring surface.
Attach the Front Leg(B) to the Seat Panel(A) using Bolts(4), and Nuts(7) with the Allen Key(9).

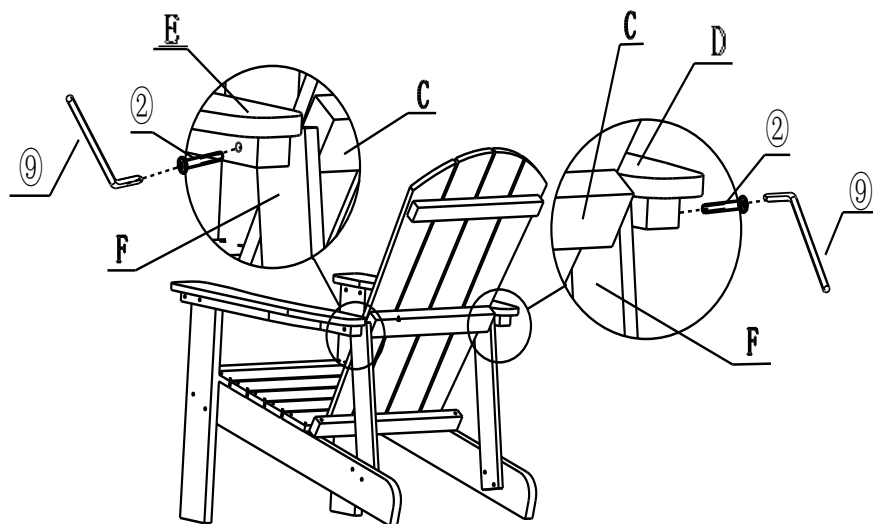
Do not fully tighten the Bolts.

Step2



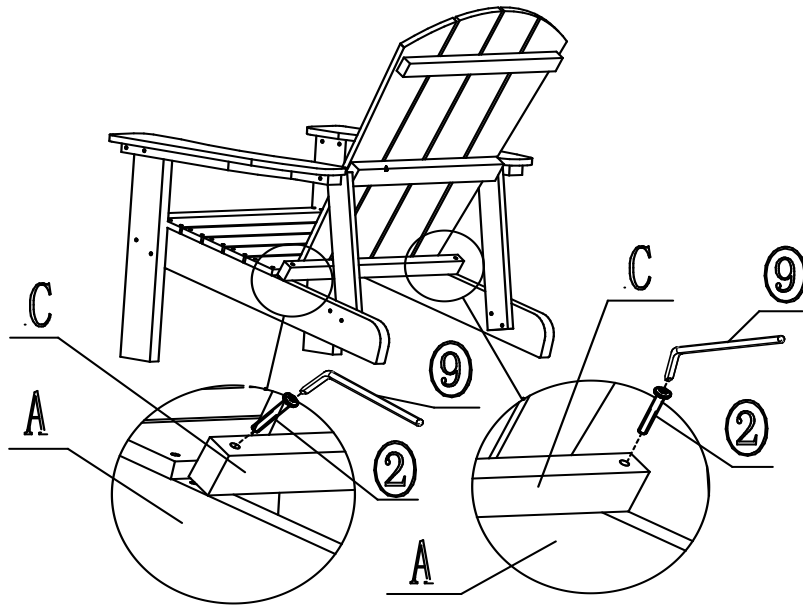
Attach the Left Armrest(D) to the Front Leg(B) by using a Bolt(2), a Washer(5), and a Nut(4) with the Spanner(8) and the Allen Key(9). Repeat the same process with the Right Armrest(E).
Do not fully tighten the Bolts.

Step3



Attach the Left Armrest(D) to the Backrest(C) using a Bolt(2) with the Allen Key(9). Repeat the same process with the Right Armrest(E).
Do not fully tighten the Bolts.

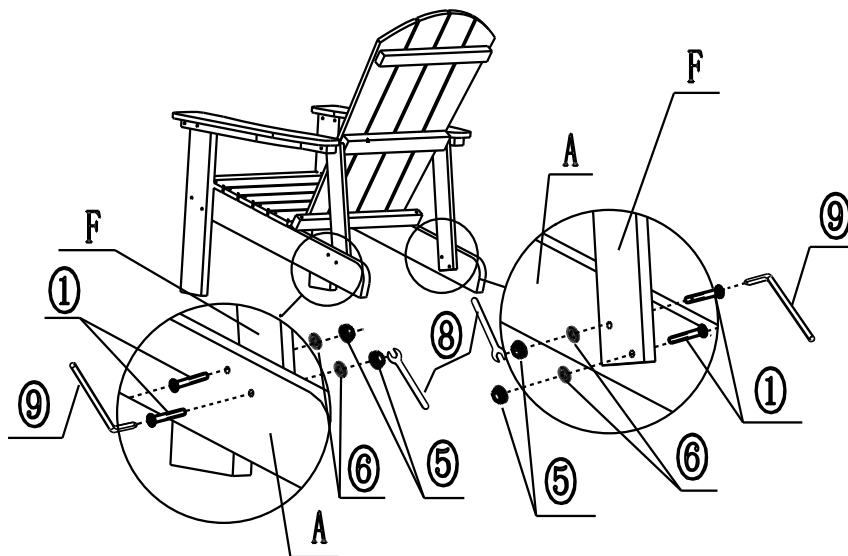
Step4



Attach the Backrest(C) to the Seat Panel(A) using Bolts(2) with the Allen Key(9)

Do not fully tighten the Bolts.

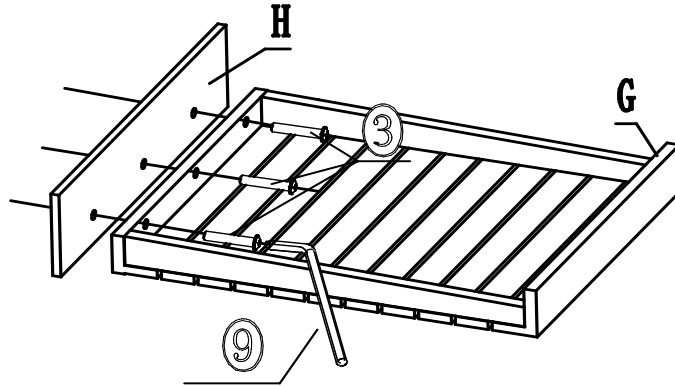
Step5



Attach the Back Support(F) to the Seat Panel(A) using Bolts(1), Washers(6), and Nuts(5) with the Spanner(8) and the Allen Key(9).

In a sequential manner, tighten all Bolts and Screws at all joints until fully locked into position.

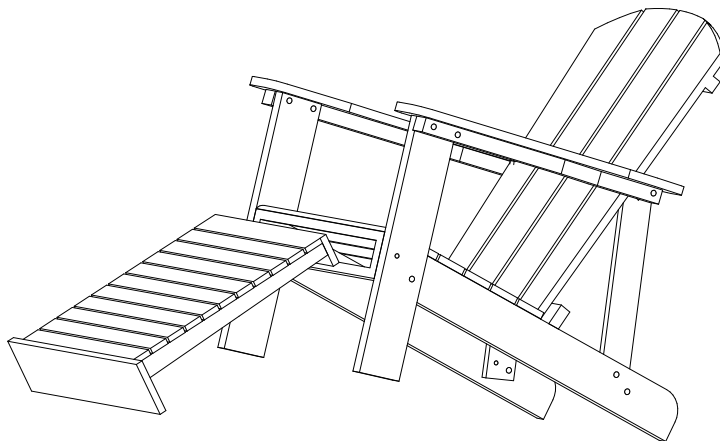
Step6



Attach the Foot Baffle(H) to the Foot Rest(G) using Bolts(③) with the Allen Key(⑨).

Do not fully tighten the Bolts.

Step7












Then raise the front leg of the chair and put the footrest into the chair at a 45-degree angle.

In a sequential manner, tighten all Bolts and Screws at all joints until fully locked into position.

Your Chair is ready for use.

This Chair can only be used on a flat, level surface.

Care & Maintenance

- ⊘  ● Do not put hot items directly on furniture surface.
- ⊘  ● Do not clean furniture with harsh cleansers or polish.
- ✓  ● To obtain the longest lifespan of your outdoor products, minimizing exposure to direct sunlight is recommended.
- ⊘  ● Children should not climb or jump on the furniture.
- ⊘  ● Do not write on furniture without a padded barrier to protect the surface.
- ✓  ● To obtain the longest lifespan of your outdoor products, avoid extended and lengthy exposure to rain, snow, and direct sunshine. Whenever possible cover the product and /or place under patio or awnings.
- ⊘  ● Not for commercial use. For residential use only.
- ⊘  ● Stains may be removed with mild soap solution and damp cloth.
- ✓  ● Dust and pick-up spills using a clean, non-colored, lint-free cloth .