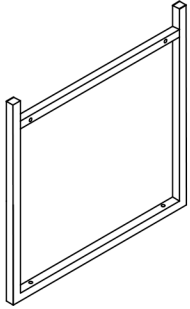
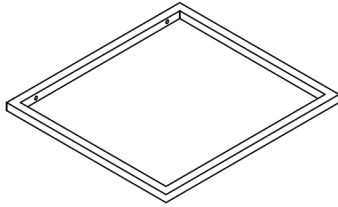


# Assembly Instruction

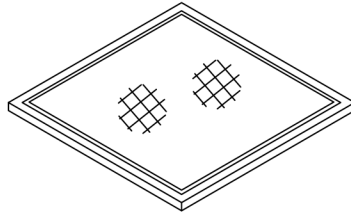
S1 2PC



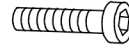
S2 1PC



S3 1PC



G2 8PC



M6X35

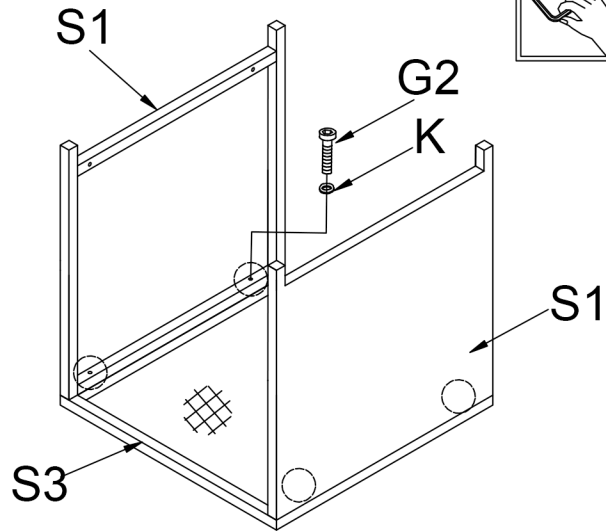
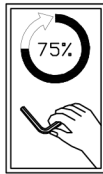
K 8PC



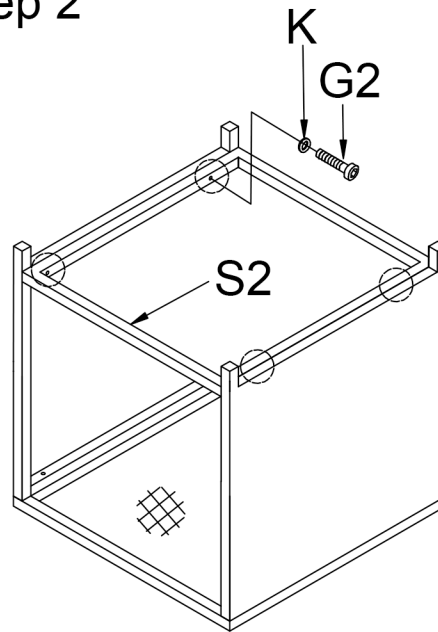
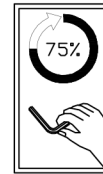
T1 1PC



Step 1



Step 2



Step 3

